



US00D856856S

(12) **United States Design Patent**
Fournier

(10) **Patent No.:** **US D856,856 S**

(45) **Date of Patent:** **** Aug. 20, 2019**

- (54) **BICYCLE STORAGE DEVICE**
- (71) Applicant: **Louis Fournier**, Chicoutimi (CA)
- (72) Inventor: **Louis Fournier**, Chicoutimi (CA)
- (**) Term: **15 Years**
- (21) Appl. No.: **29/613,647**
- (22) Filed: **Aug. 11, 2017**

D719,491 S *	12/2014	Rayl	D12/115
D737,196 S *	8/2015	Pappas	D12/407
D768,545 S *	10/2016	Greenblatt	D12/115
D778,788 S *	2/2017	Tsai	D12/115
2015/0314820 A1 *	11/2015	Fournier	E05B 65/00 70/62

* cited by examiner

Primary Examiner — Michelle E. Wilson
Assistant Examiner — Clese Moore, Jr.
 (74) *Attorney, Agent, or Firm* — William H. Bollman

Related U.S. Application Data

- (63) Continuation-in-part of application No. 14/545,435, filed on May 4, 2015, now Pat. No. 10,112,667.
- (51) **LOC (12) Cl.** **12-11**
- (52) **U.S. Cl.**
USPC **D12/115**
- (58) **Field of Classification Search**
USPC D12/115, 120, 402, 406, 407
CPC ... B62H 3/00; B62H 3/04; B62H 3/08; B62H 3/10; B60R 9/06; B60R 9/10
See application file for complete search history.

(57) **CLAIM**

The ornamental design for a bicycle storage device, as shown and described.

DESCRIPTION

FIG. 1 is a perspective view of a bicycle storage device, showing its new design;
 FIG. 2 is a front perspective view thereof;
 FIG. 3 is a front view thereof;
 FIG. 4 is a right-hand side view thereof;
 FIG. 5 is a top view thereof;
 FIG. 6 is a bottom view thereof;
 FIG. 7 is a rear view thereof;
 FIG. 8 is a left-hand side view thereof;
 FIG. 9 is a sectional view taken along line 9-9 of FIG. 3;
 FIG. 10 is a left-hand side view thereof showing a locking chain;
 FIG. 11 is a front view thereof showing a locking chain; and,
 FIG. 12 is a perspective view thereof showing a locking chain.

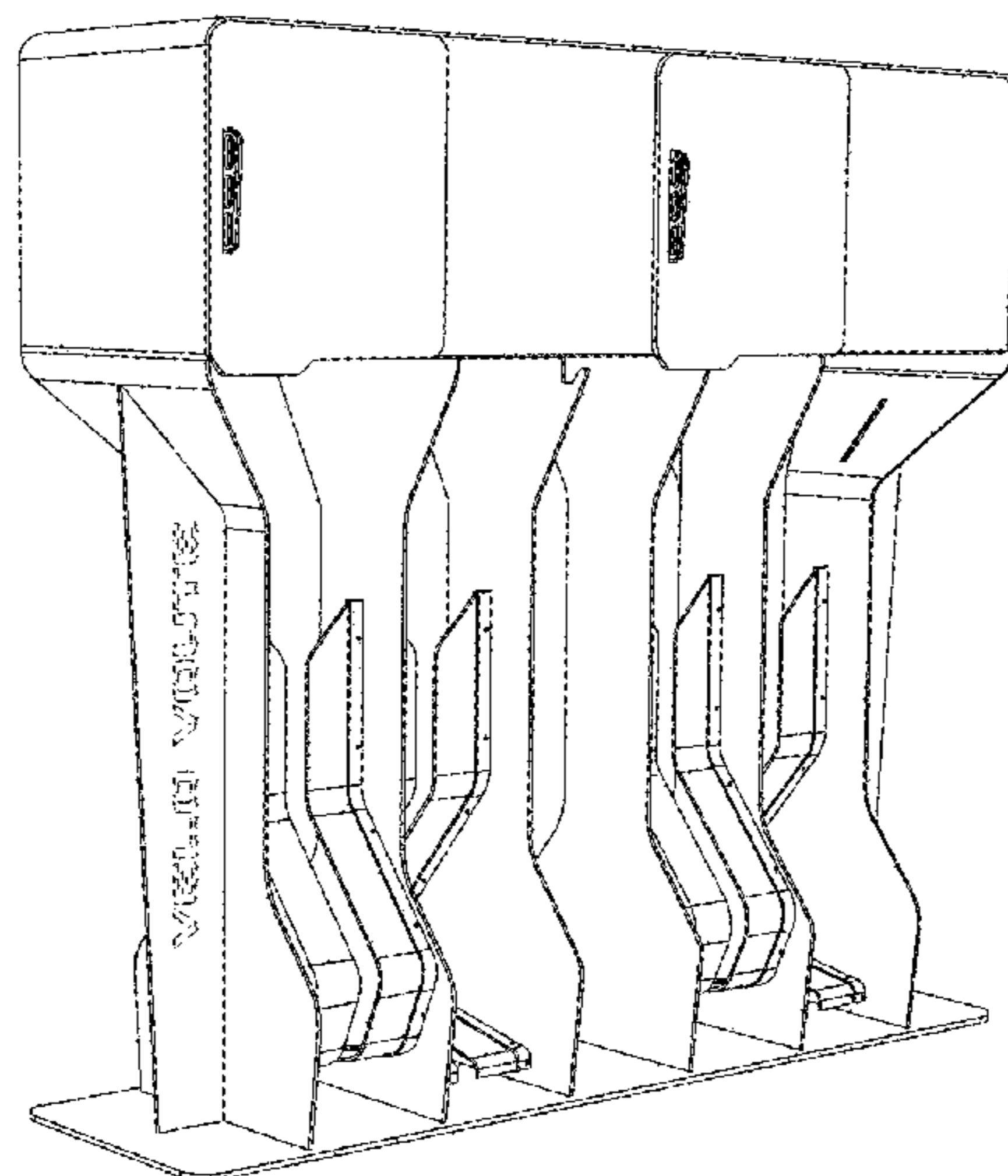
The rear view and left-hand side view are omitted because these views are mirror images of the front view and the right-hand side view, respectively.
 The broken lines shown illustrate portions of the bicycle storage device that form no part of the claimed design.

(56) **References Cited**

U.S. PATENT DOCUMENTS

D278,616 S *	4/1985	Collison	D12/115
4,830,167 A *	5/1989	Lassche	B62H 3/00 194/247
D332,435 S *	1/1993	Delage	D12/115
D369,576 S *	5/1996	Johnson	D12/115
D449,256 S *	10/2001	Kopacz	D12/115
D595,618 S *	7/2009	Dallaire	D12/115
D604,206 S *	11/2009	Selzer	D12/115
D604,207 S *	11/2009	Selzer	D12/115
D623,095 S *	9/2010	Nusbaum	D12/115
D632,617 S *	2/2011	Kritzer	D12/115
D634,674 S *	3/2011	Finbow	D12/115
D670,209 S *	11/2012	Graham	D12/115

1 Claim, 12 Drawing Sheets



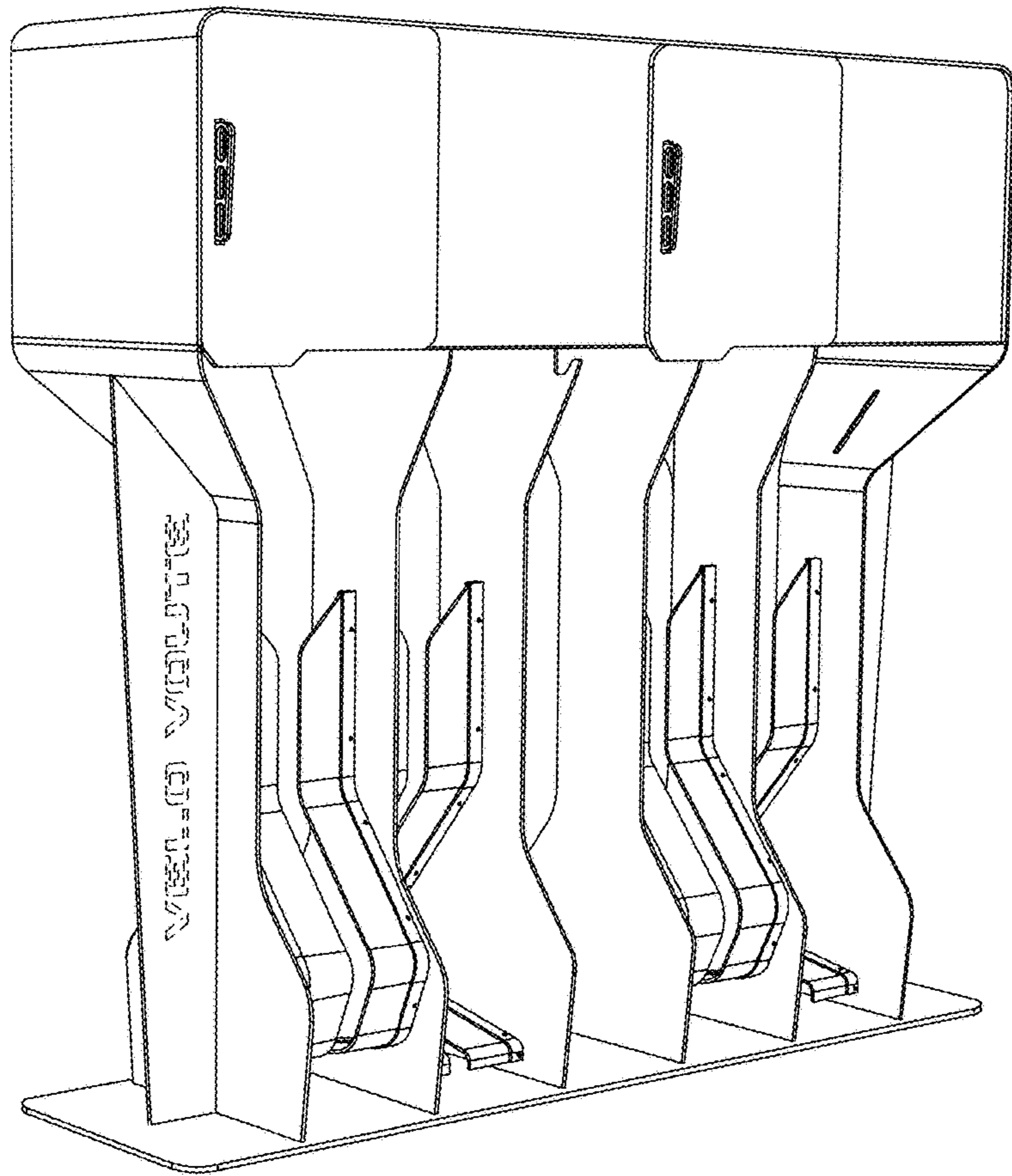


FIG. 1

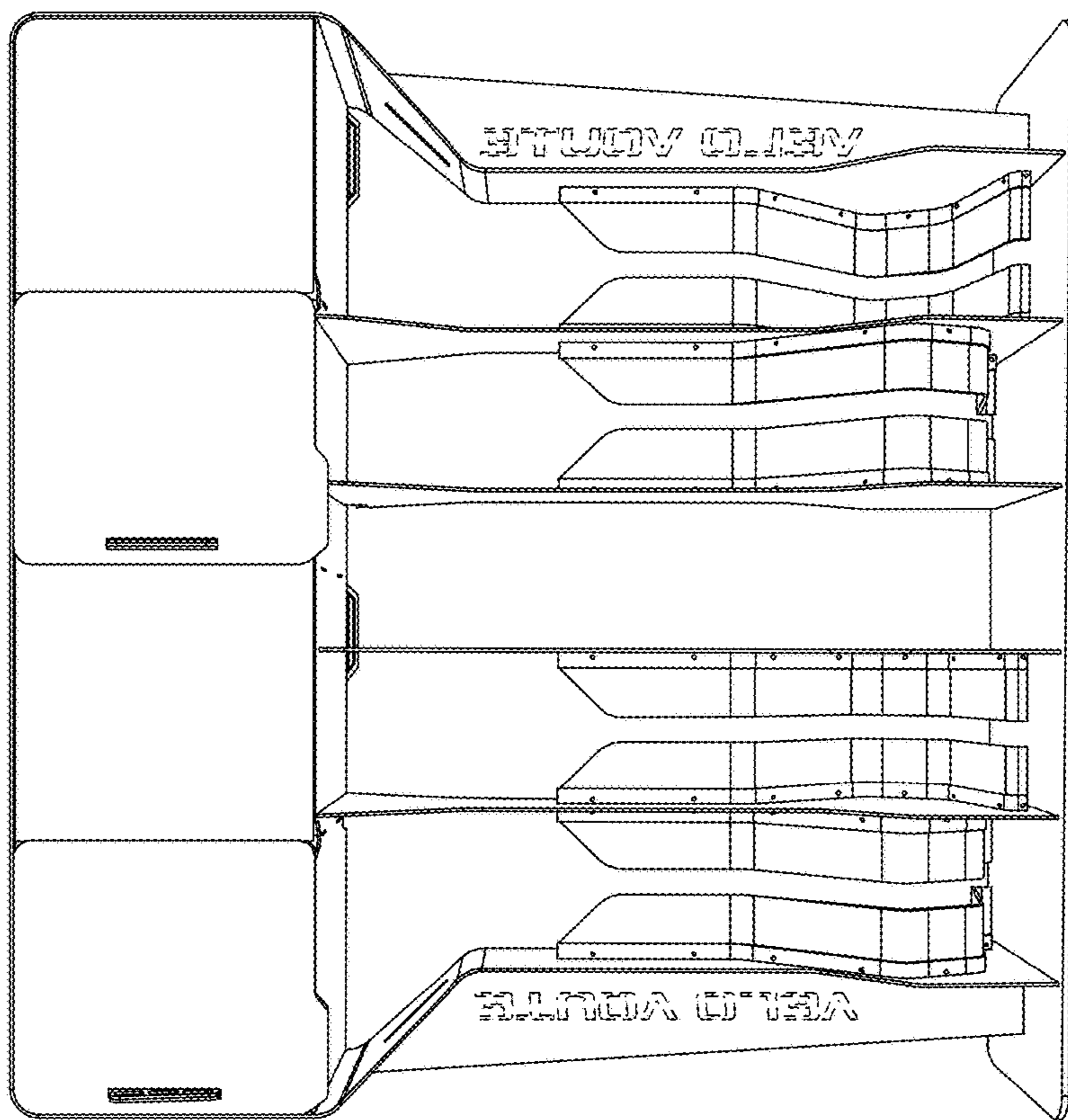


FIG. 2

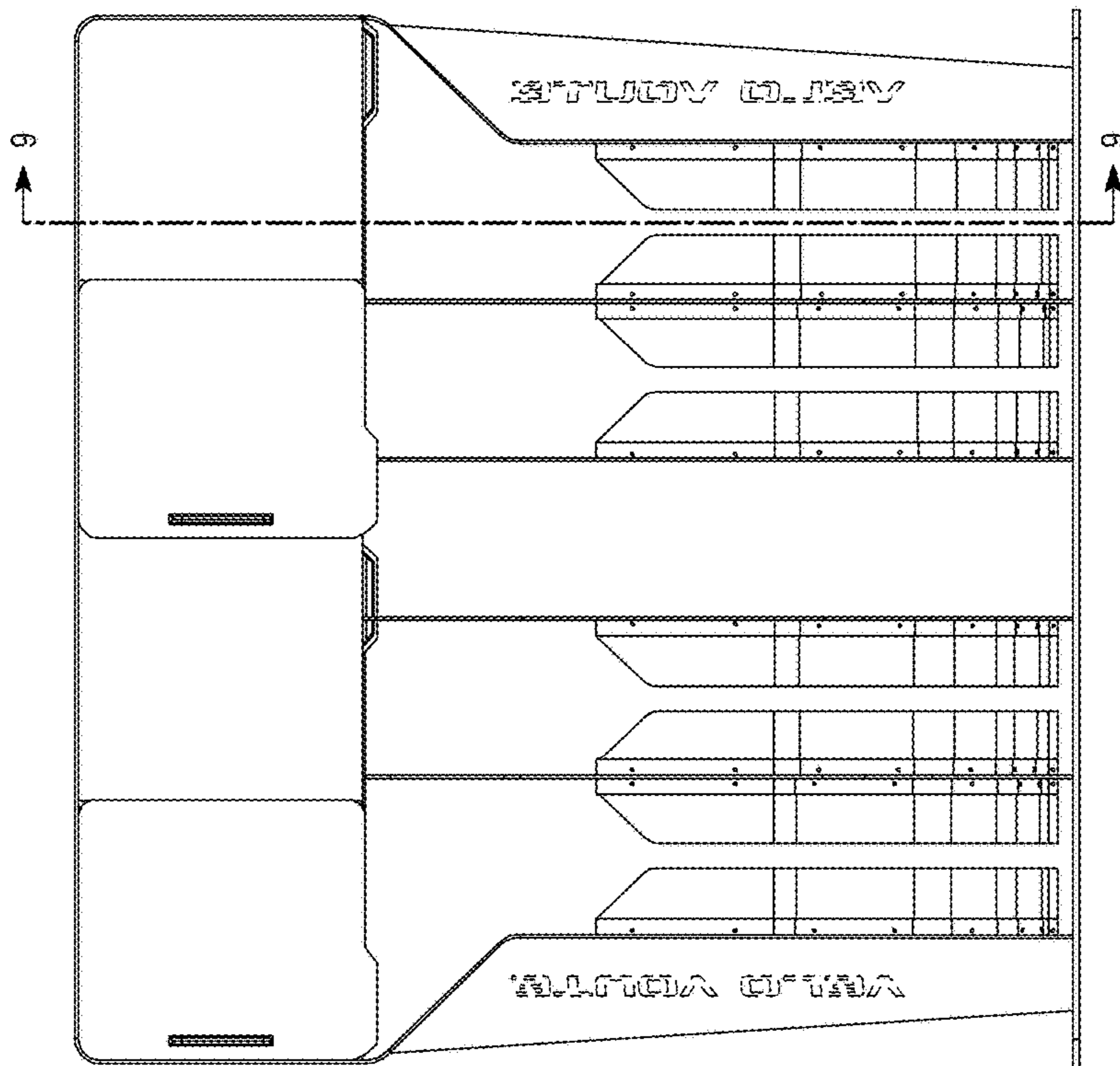


FIG. 3

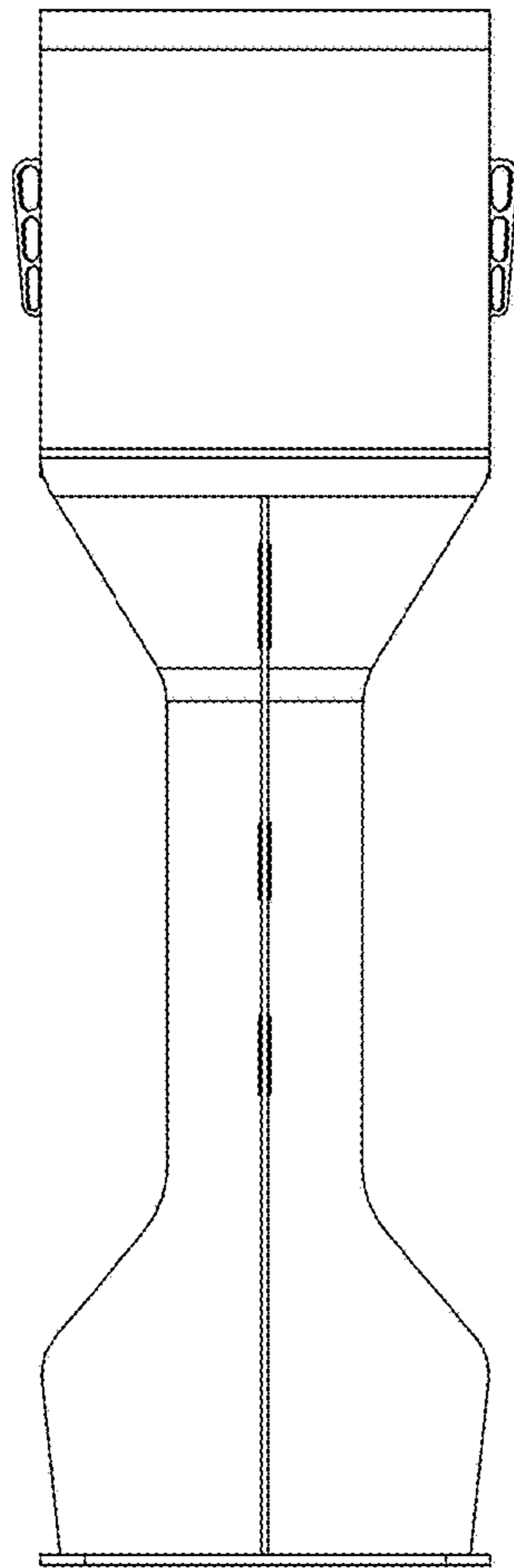


FIG. 4

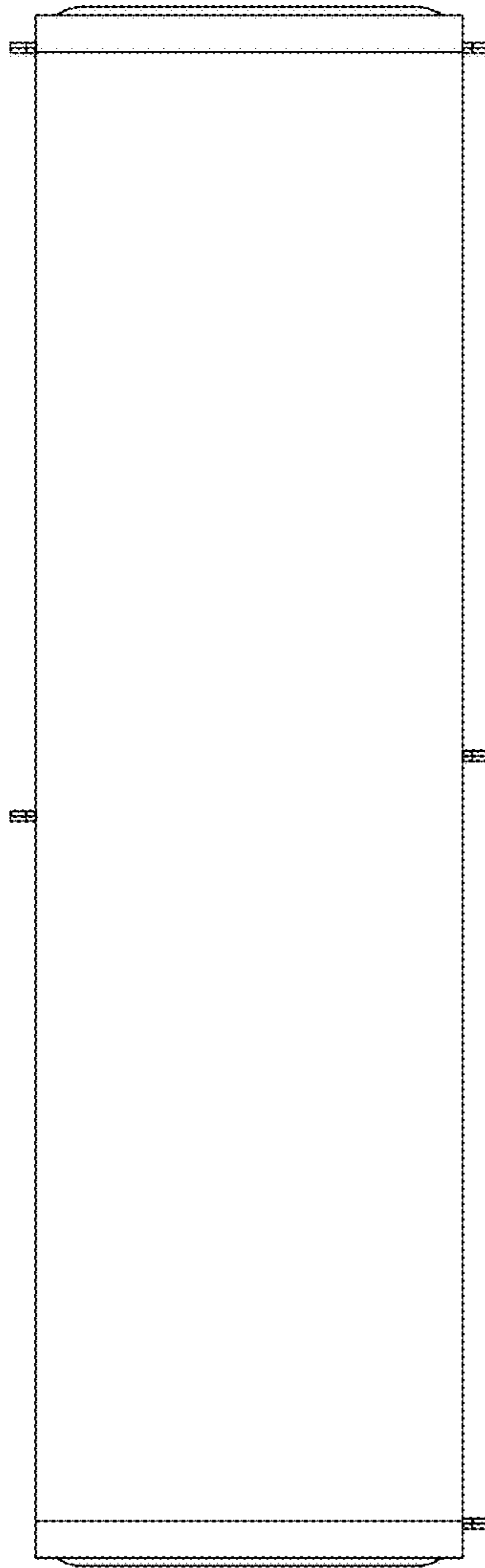


FIG. 5

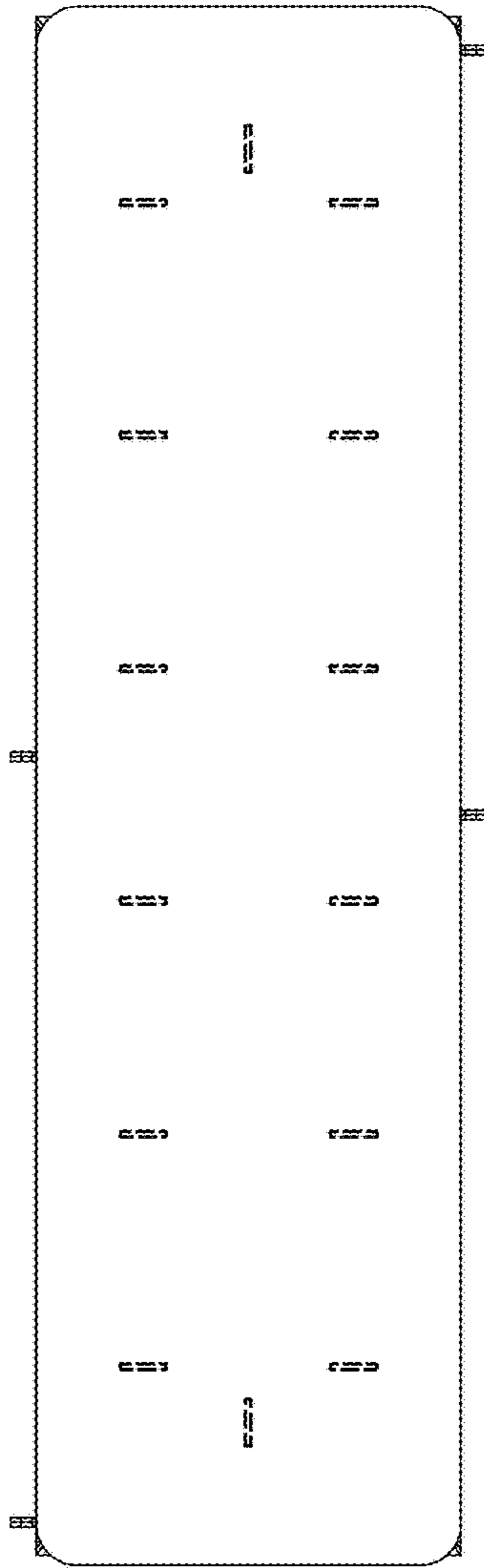


FIG. 6

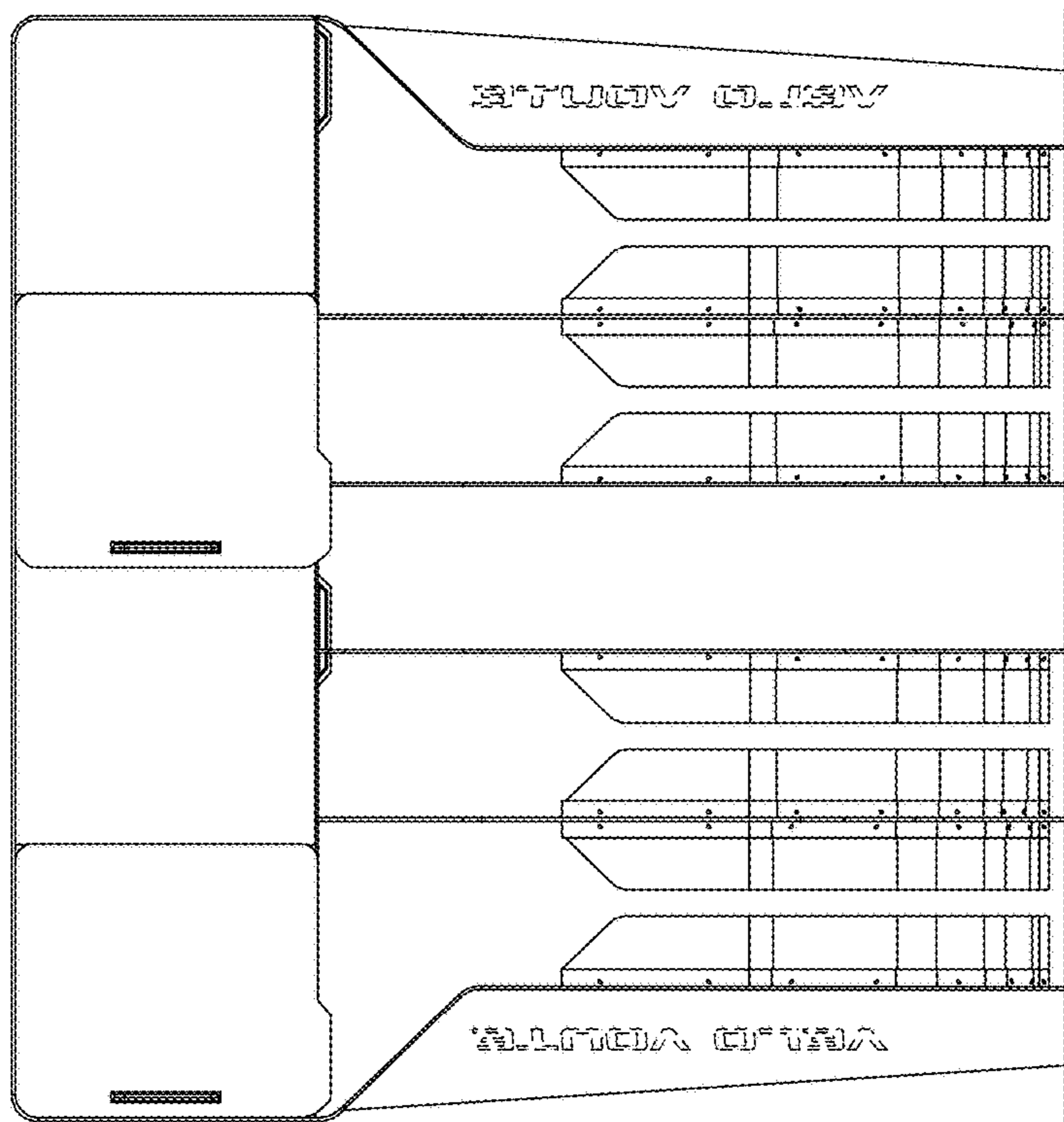


FIG. 7

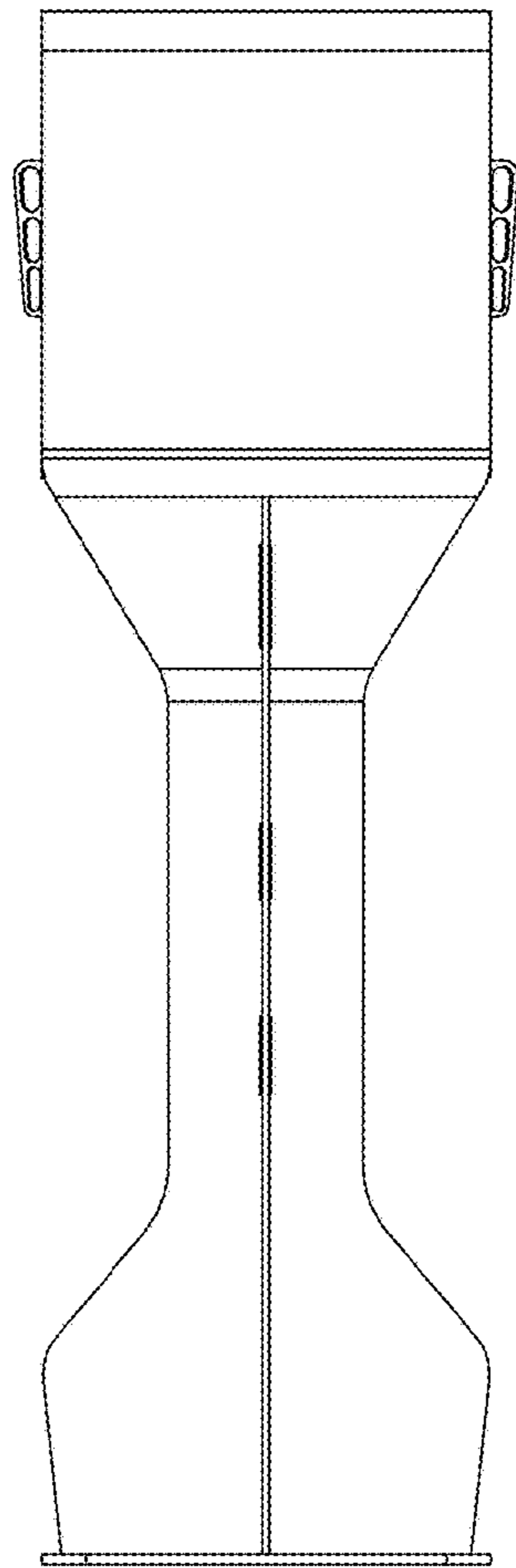


FIG. 8

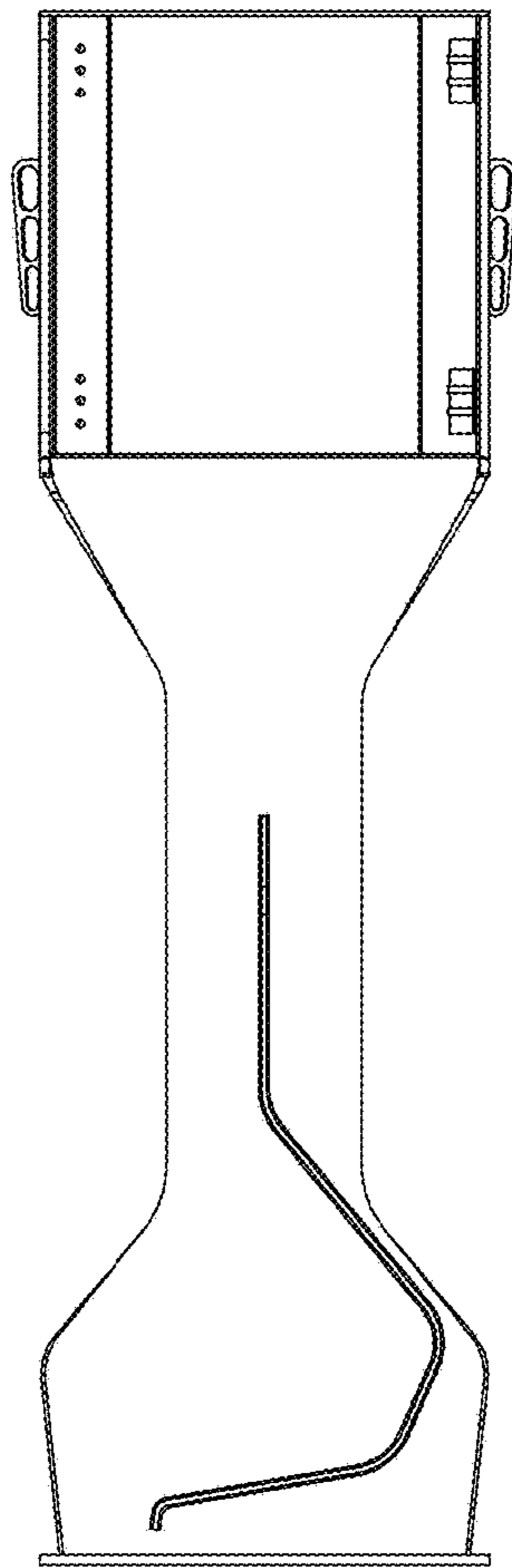


FIG. 9

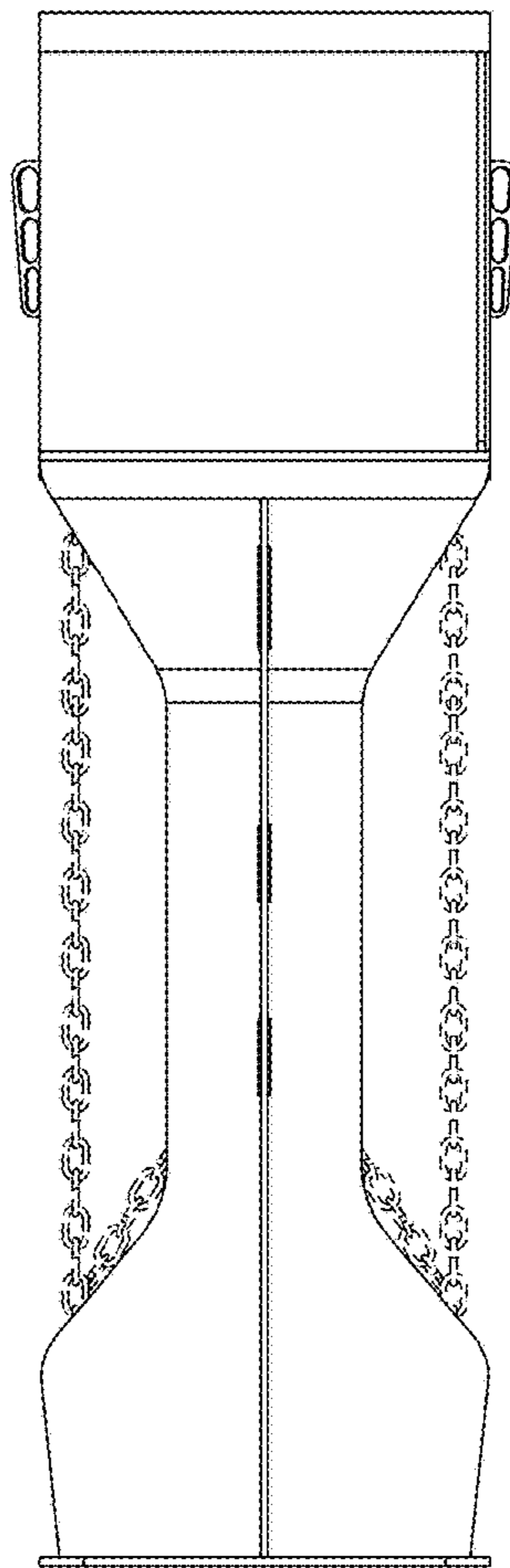


FIG. 10

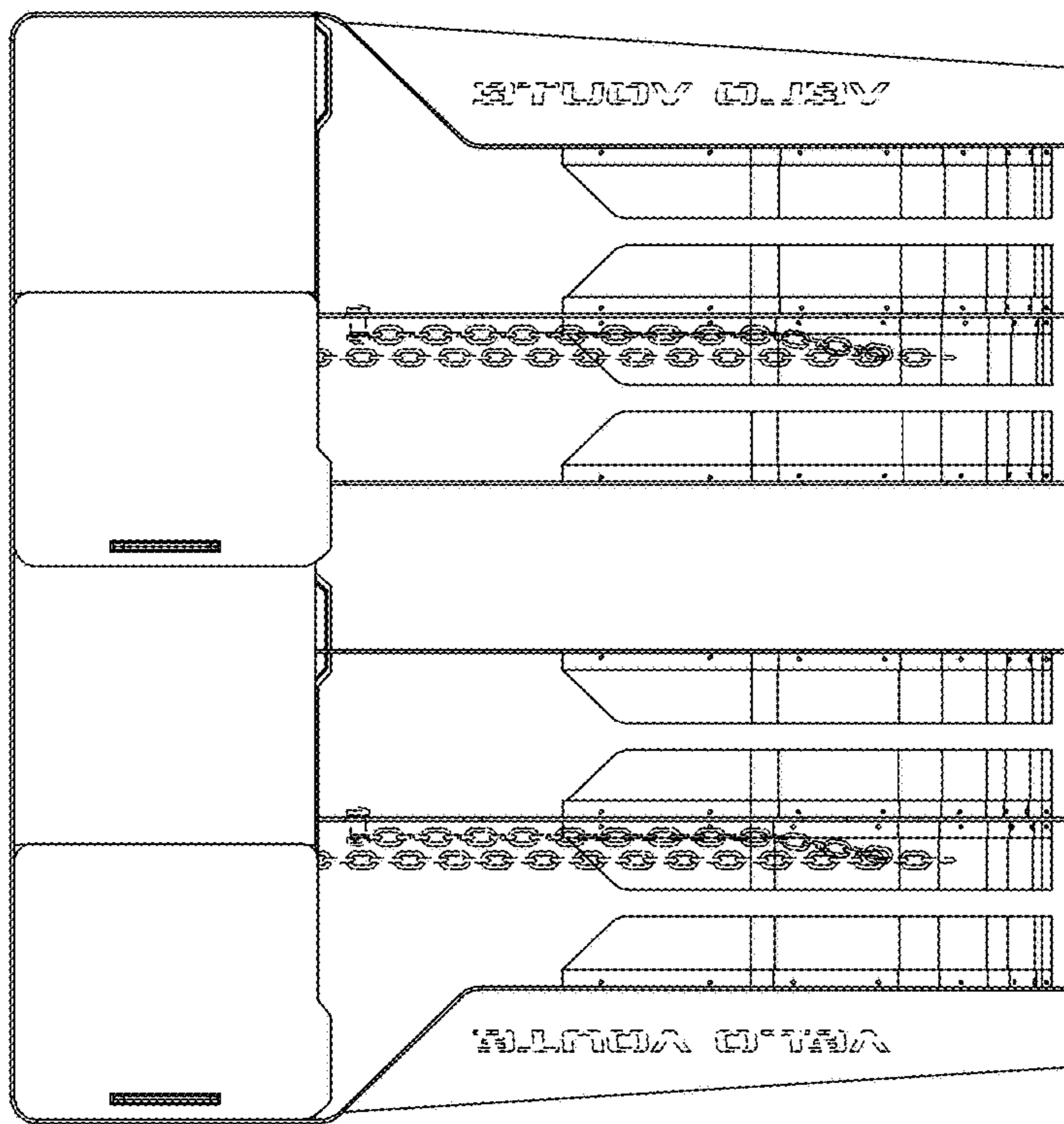


FIG. 11

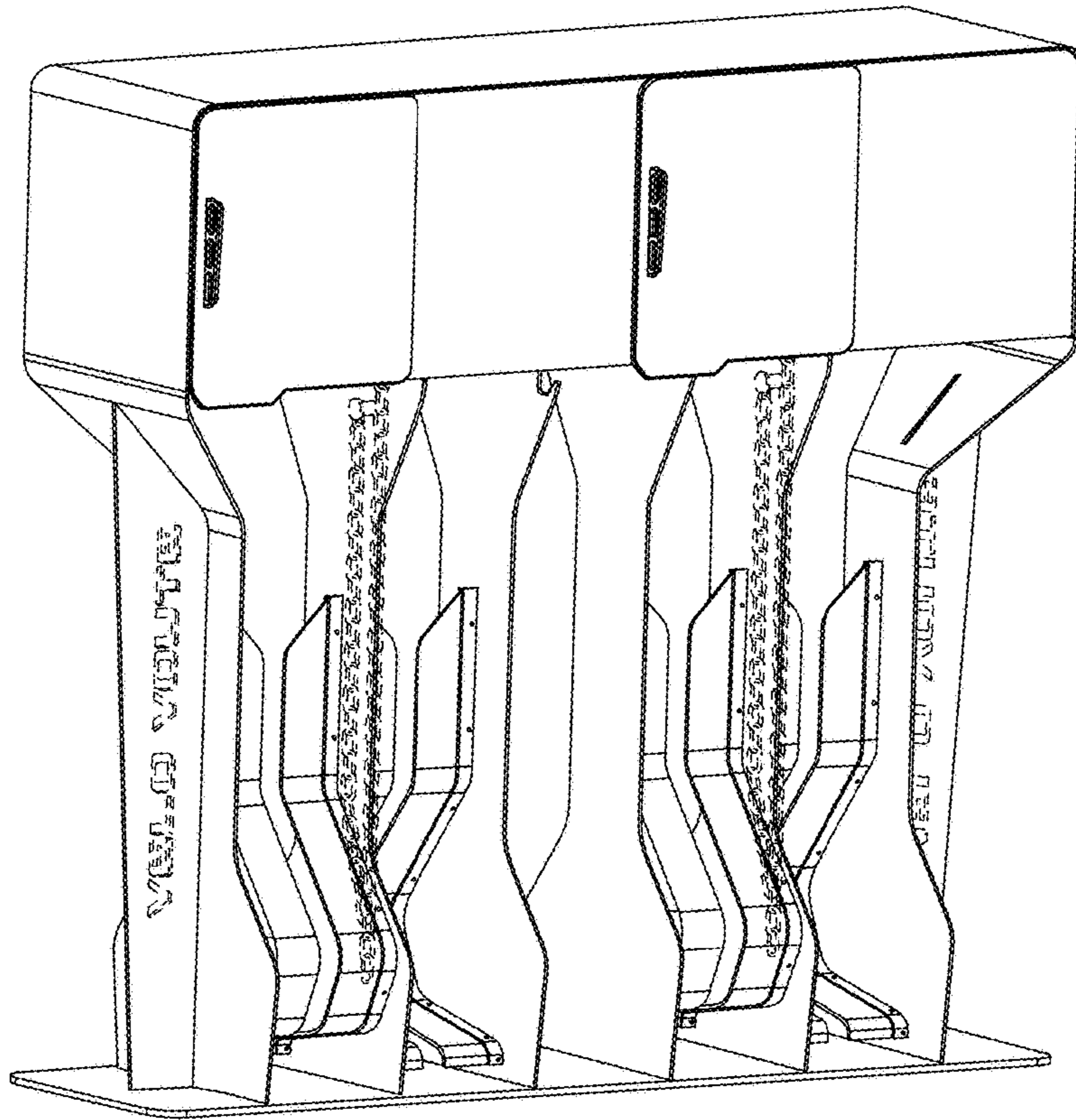


FIG. 12