



US00D856855S

(12) **United States Design Patent** (10) **Patent No.:** **US D856,855 S**  
**Steele** (45) **Date of Patent:** **\*\* Aug. 20, 2019**

(54) **HANDLEBAR SWITCH**  
(71) Applicant: **Matthew J Steele**, Boulder, CO (US)  
(72) Inventor: **Matthew J Steele**, Boulder, CO (US)  
(\*\*) Term: **15 Years**  
(21) Appl. No.: **29/636,409**  
(22) Filed: **Feb. 8, 2018**  
(51) **LOC (12) Cl.** ..... **12-11**  
(52) **U.S. Cl.**  
USPC ..... **D12/114**  
(58) **Field of Classification Search**  
USPC ..... D12/107, 114, 174, 178-180  
CPC ..... B60K 20/06; B62K 11/14; B62K 23/02;  
H01H 9/06  
See application file for complete search history.

D534,846 S \* 1/2007 Mabuchi ..... D12/179  
D535,596 S \* 1/2007 Mabuchi ..... D12/179  
D546,741 S \* 7/2007 Iteya ..... D12/179  
D556,645 S \* 12/2007 Madden ..... D12/126  
D563,295 S \* 3/2008 Mabuchi ..... D12/179  
D575,203 S \* 8/2008 Madden ..... D12/126  
7,527,120 B2 \* 5/2009 Tatewaki ..... B62K 11/14  
180/230  
8,357,864 B2 \* 1/2013 Murasawa ..... B60K 20/06  
200/61.88  
D729,710 S \* 5/2015 Iwata ..... D12/174  
D784,859 S \* 4/2017 Matsumura ..... D12/114  
D784,860 S \* 4/2017 Matsumura ..... D12/114  
2011/0108397 A1 \* 5/2011 Kodaira ..... B62K 11/14  
200/61.54

\* cited by examiner

*Primary Examiner* — Darlington Ly  
(74) *Attorney, Agent, or Firm* — Woods Patent Law, P.A.

(57) **CLAIM**

The ornamental design for a handlebar switch, as shown and described.

(56) **References Cited**

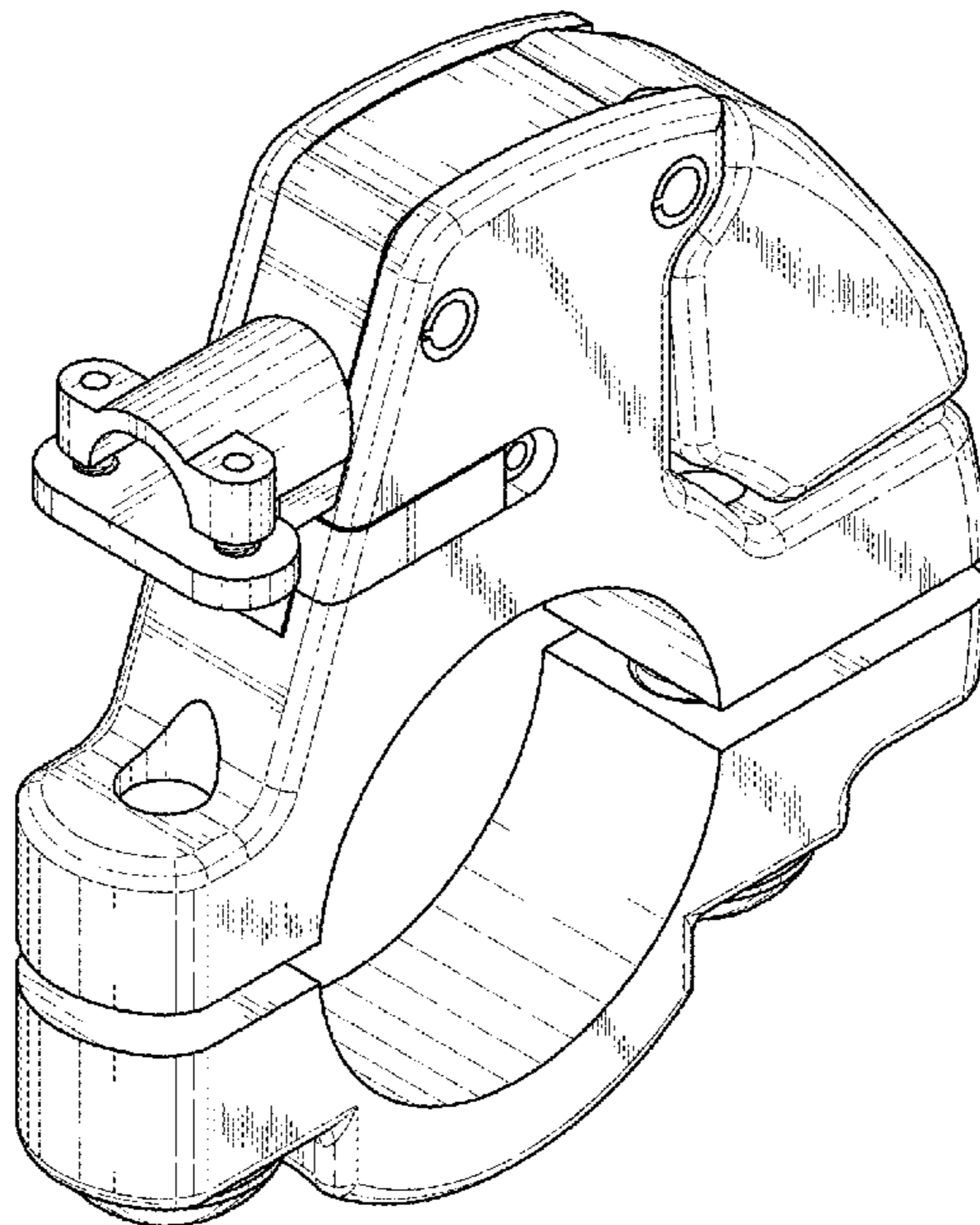
U.S. PATENT DOCUMENTS

D246,971 S \* 1/1978 McKernon ..... D12/179  
D265,816 S \* 8/1982 Matre ..... D12/114  
4,497,988 A \* 2/1985 Brown ..... B62J 6/16  
200/61.85  
4,847,454 A \* 7/1989 Hiruma ..... B60Q 1/1469  
200/61.85  
D370,649 S \* 6/1996 Chen ..... D12/179  
D531,944 S \* 11/2006 Okada ..... D12/179  
D533,122 S \* 12/2006 Mabuchi ..... D12/179  
D533,123 S \* 12/2006 Mabuchi ..... D12/179  
D533,124 S \* 12/2006 Hanamura ..... D12/179  
D533,489 S \* 12/2006 Tokumoto ..... D12/179  
D534,843 S \* 1/2007 Higashi ..... D12/174  
D534,845 S \* 1/2007 Mabuchi ..... D12/179

**DESCRIPTION**

FIG. 1 is a top, front, and right side perspective view of a handlebar switch showing my new design;  
FIG. 2 is a left side elevation view thereof;  
FIG. 3 is a right side elevation view thereof;  
FIG. 4 is a front elevation view thereof;  
FIG. 5 is a rear elevation view thereof;  
FIG. 6 is a top plan view thereof;  
FIG. 7 is a bottom plan view thereof; and,  
FIG. 8 is a top, rear, and right side perspective view thereof.

**1 Claim, 6 Drawing Sheets**



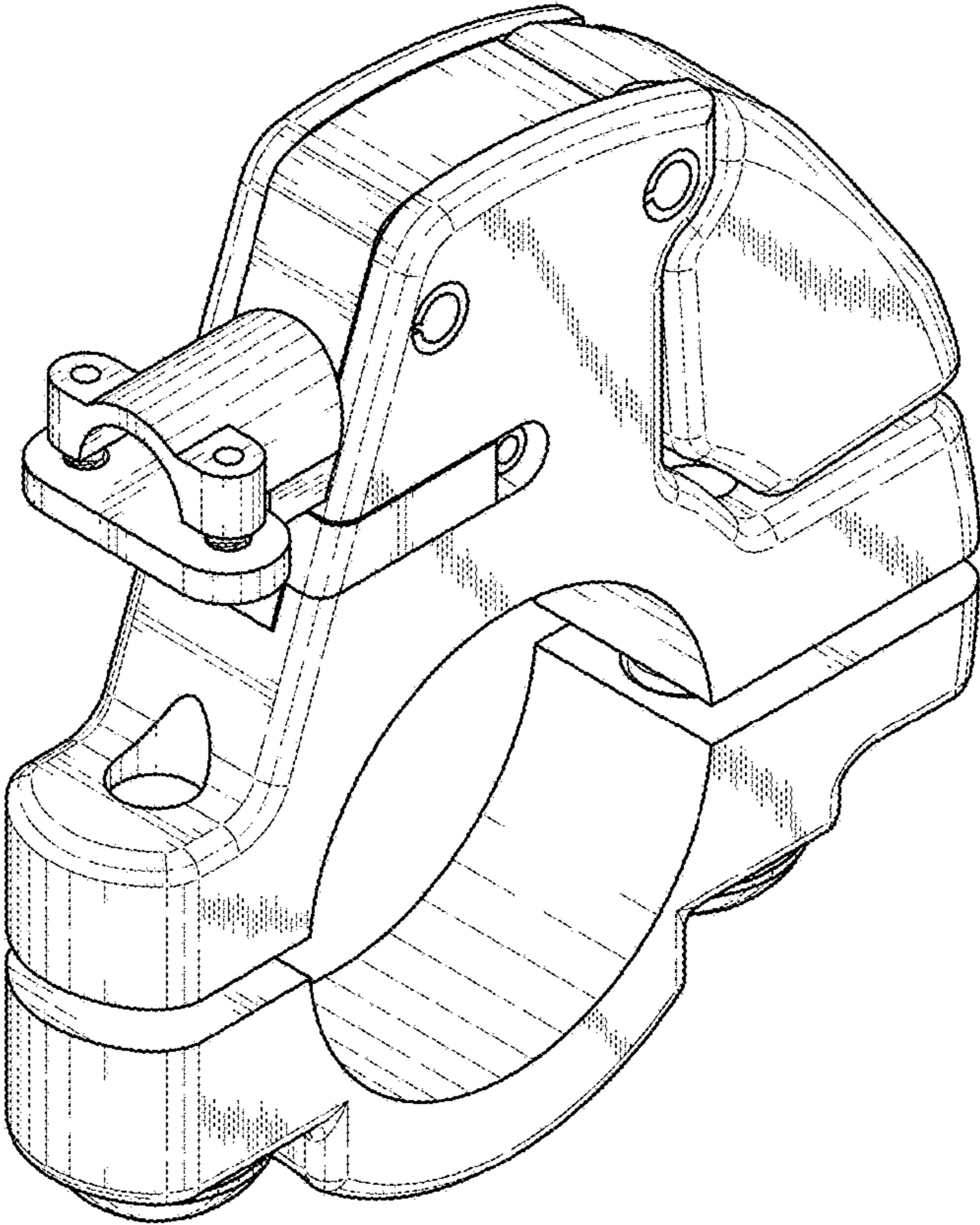


FIG. 1

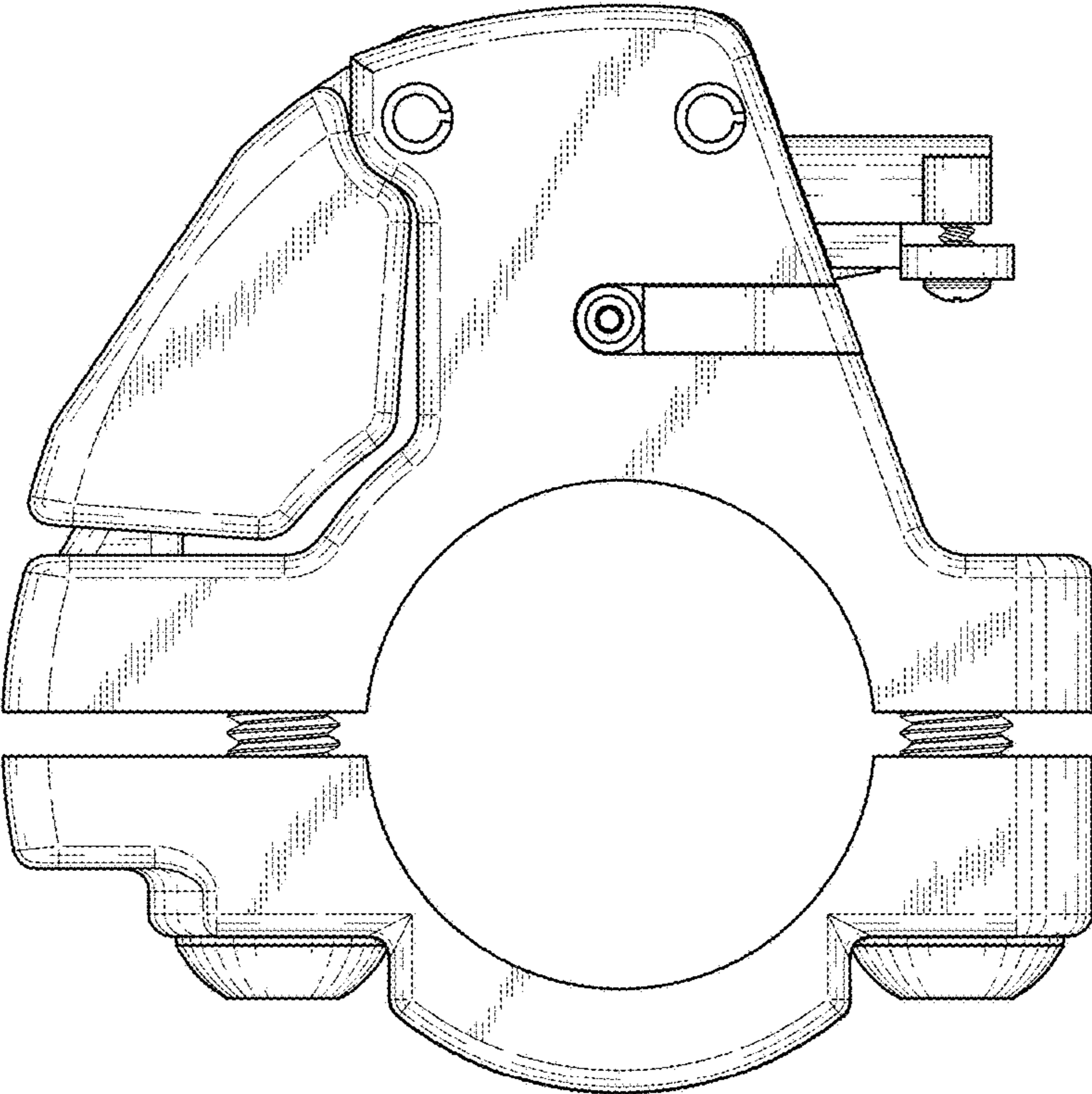


FIG. 2

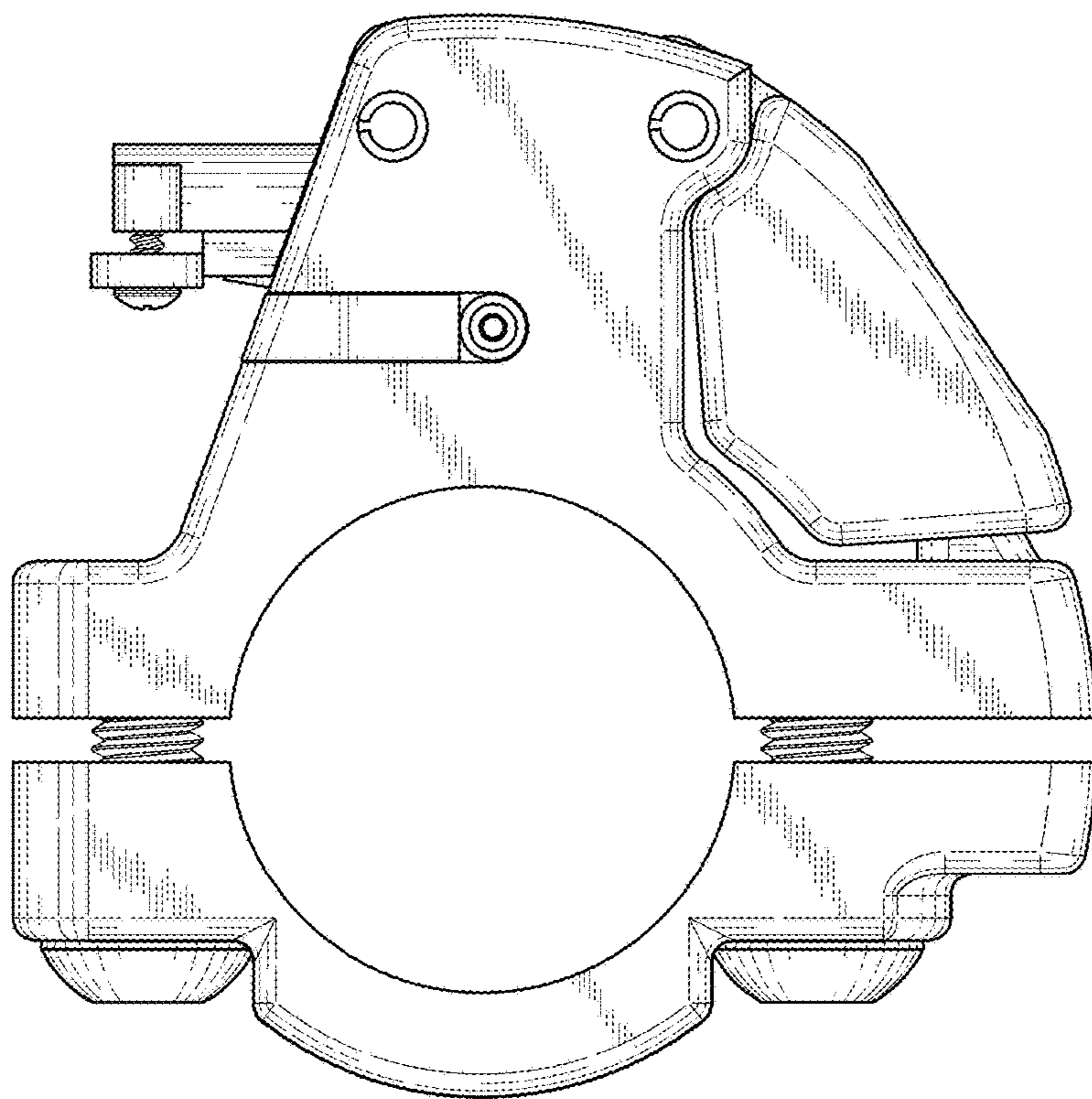


FIG. 3

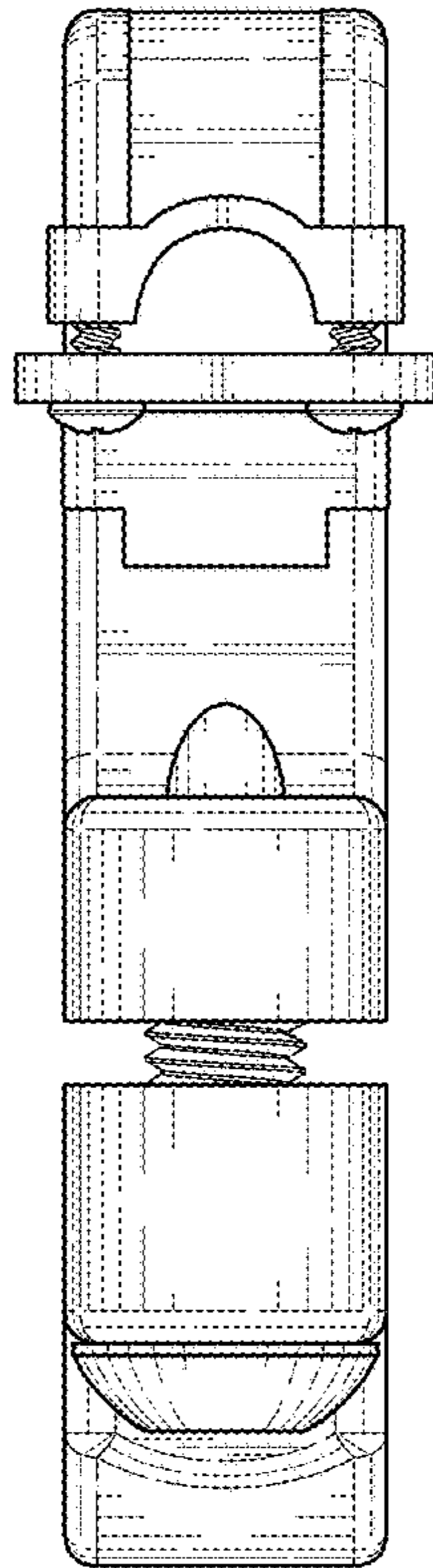


FIG. 4

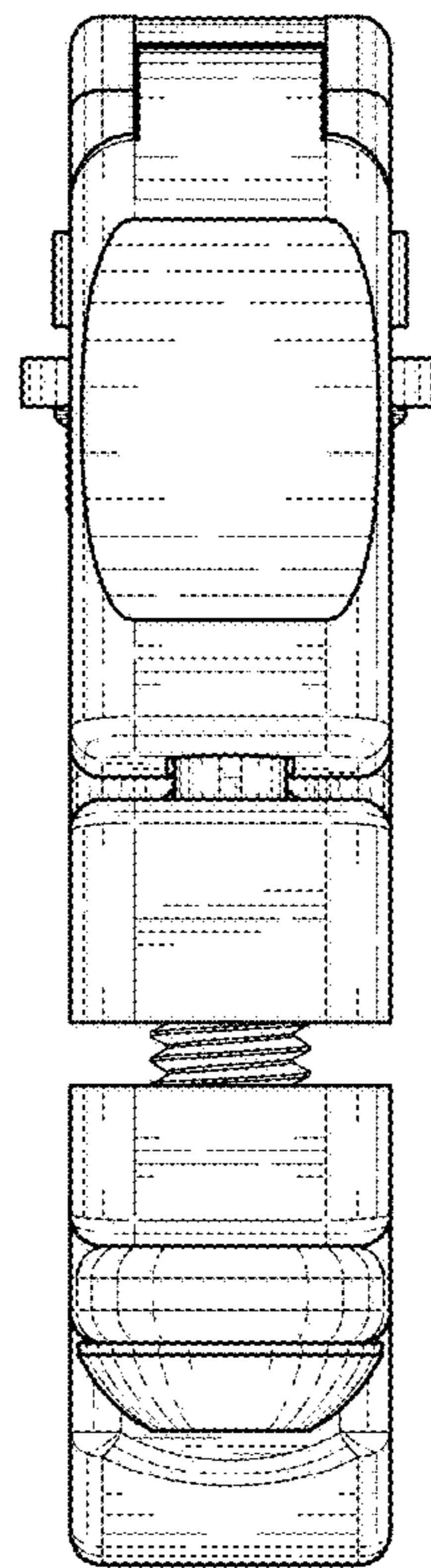


FIG. 5

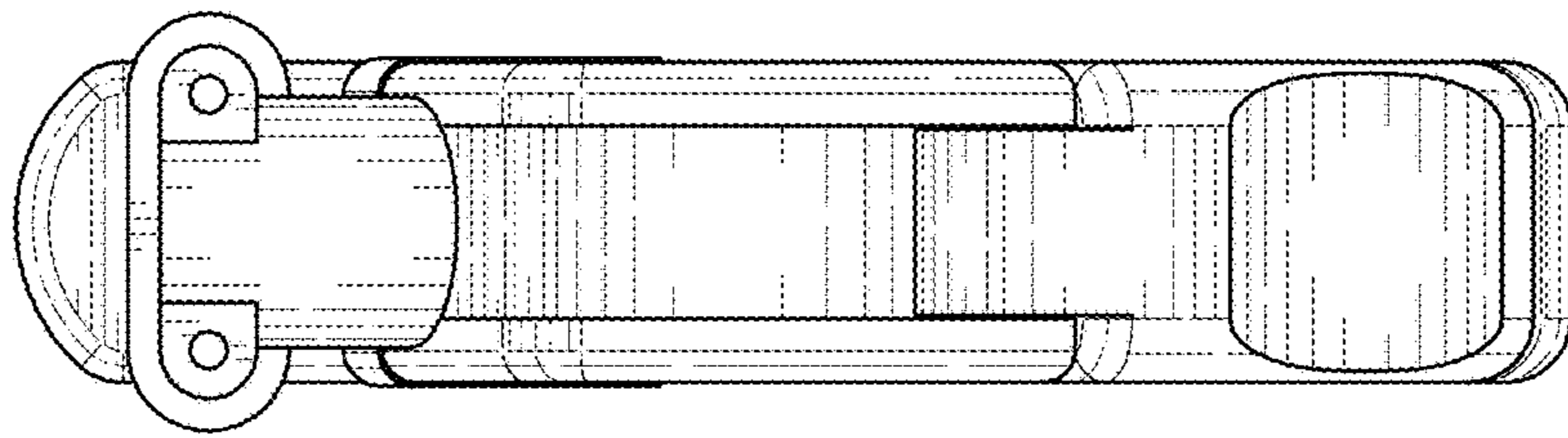


FIG. 6

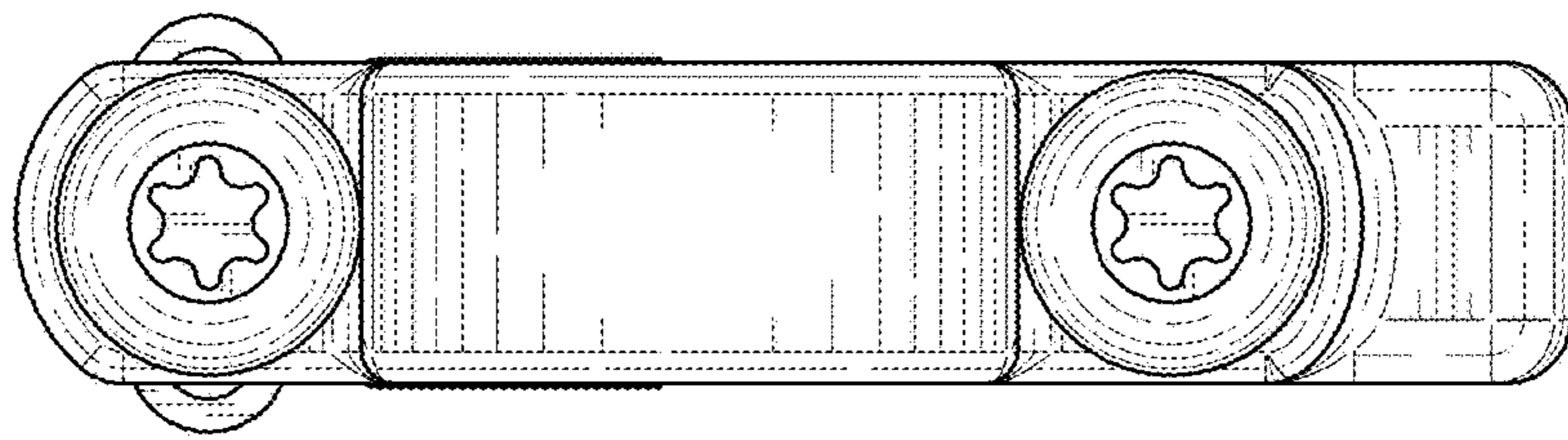


FIG. 7

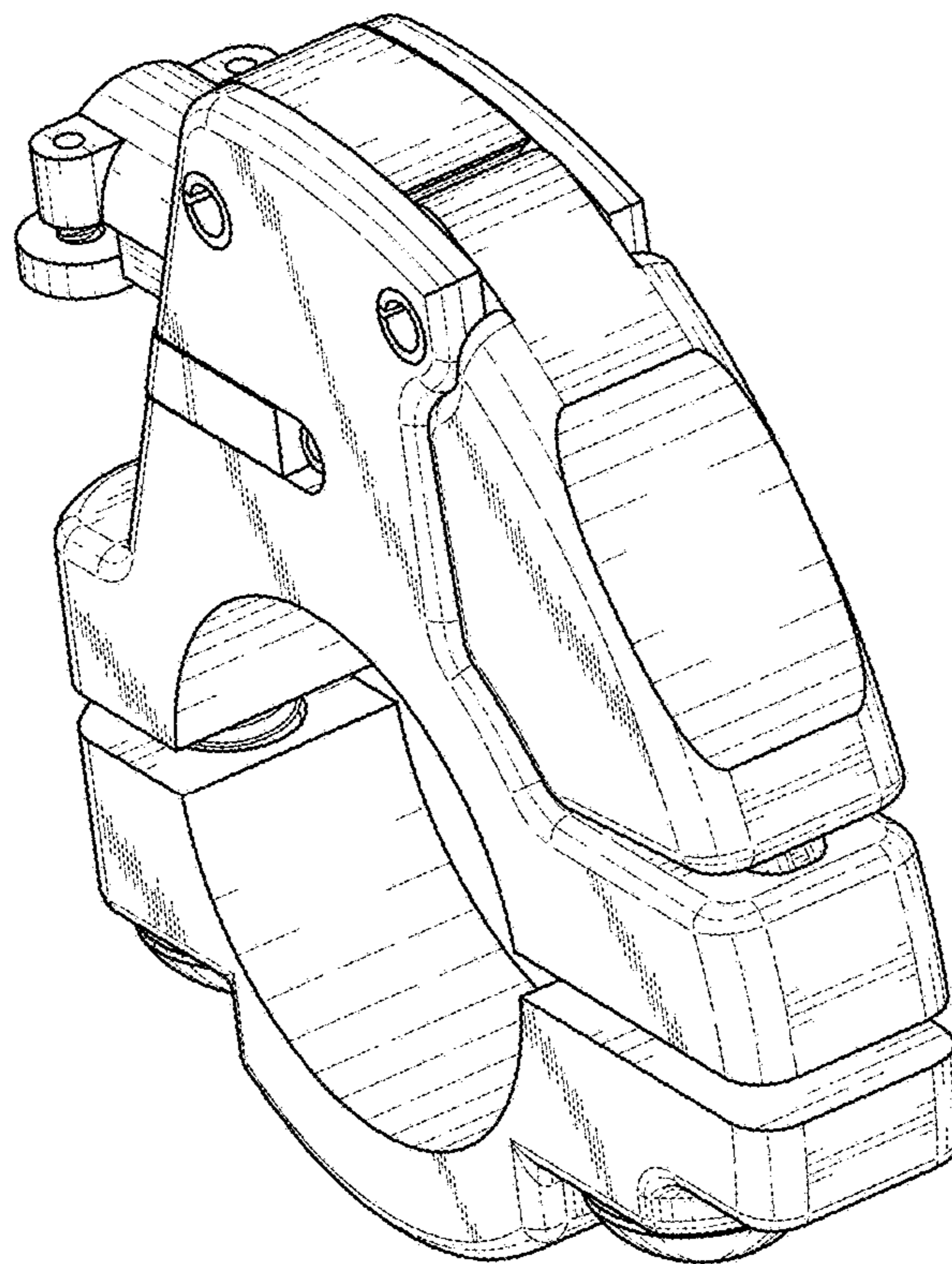


FIG. 8