



US00D856845S

(12) **United States Design Patent** (10) **Patent No.:** **US D856,845 S**
Ishii (45) **Date of Patent:** **** Aug. 20, 2019**

(54) **BUCKLE**
(71) Applicant: **NIFCO INC.**, Yokosuka-shi, Kanagawa (JP)
(72) Inventor: **Taiyo Ishii**, Yokosuka (JP)
(73) Assignee: **NIFCO INC.**, Yokosuka-shi, Kanagawa (JP)

D714,185 S 9/2014 Kelleghan
D714,683 S 10/2014 McEntyre et al.
D724,484 S 3/2015 Swan et al.
D731,919 S * 6/2015 Kung D11/218
D741,148 S * 10/2015 Liu D11/218
D750,530 S * 3/2016 VanHoutin D11/218
D752,480 S 3/2016 Chan
D782,364 S 3/2017 Nykoluk
D805,955 S 12/2017 Minson

(**) Term: **15 Years**
(21) Appl. No.: **29/642,810**
(22) Filed: **Apr. 2, 2018**

OTHER PUBLICATIONS

U.S. Appl. No. 35/502,294, filed Oct. 27, 2016.
U.S. Appl. No. 35/502,294, filed Apr. 2, 2018.

* cited by examiner

Primary Examiner — Zenia I Bennett
(74) *Attorney, Agent, or Firm* — Banner & Witcoff, Ltd.

Related U.S. Application Data

(62) Division of application No. 35/502,294, filed on Oct. 27, 2016 (U.S. filing date under 35 U.S.C. 384), and having an international filing date of Oct. 27, 2016.
(51) **LOC (12) Cl.** **02-07**
(52) **U.S. Cl.**
USPC **D11/218**
(58) **Field of Classification Search**
USPC D11/1-2, 200-201, 206-210, 214-218;
D2/853, 624
CPC A44B 11/04; A44B 11/06; A44B 11/25;
A44B 11/26
See application file for complete search history.

(57) **CLAIM**

The ornamental design for a buckle, as shown and described.

DESCRIPTION

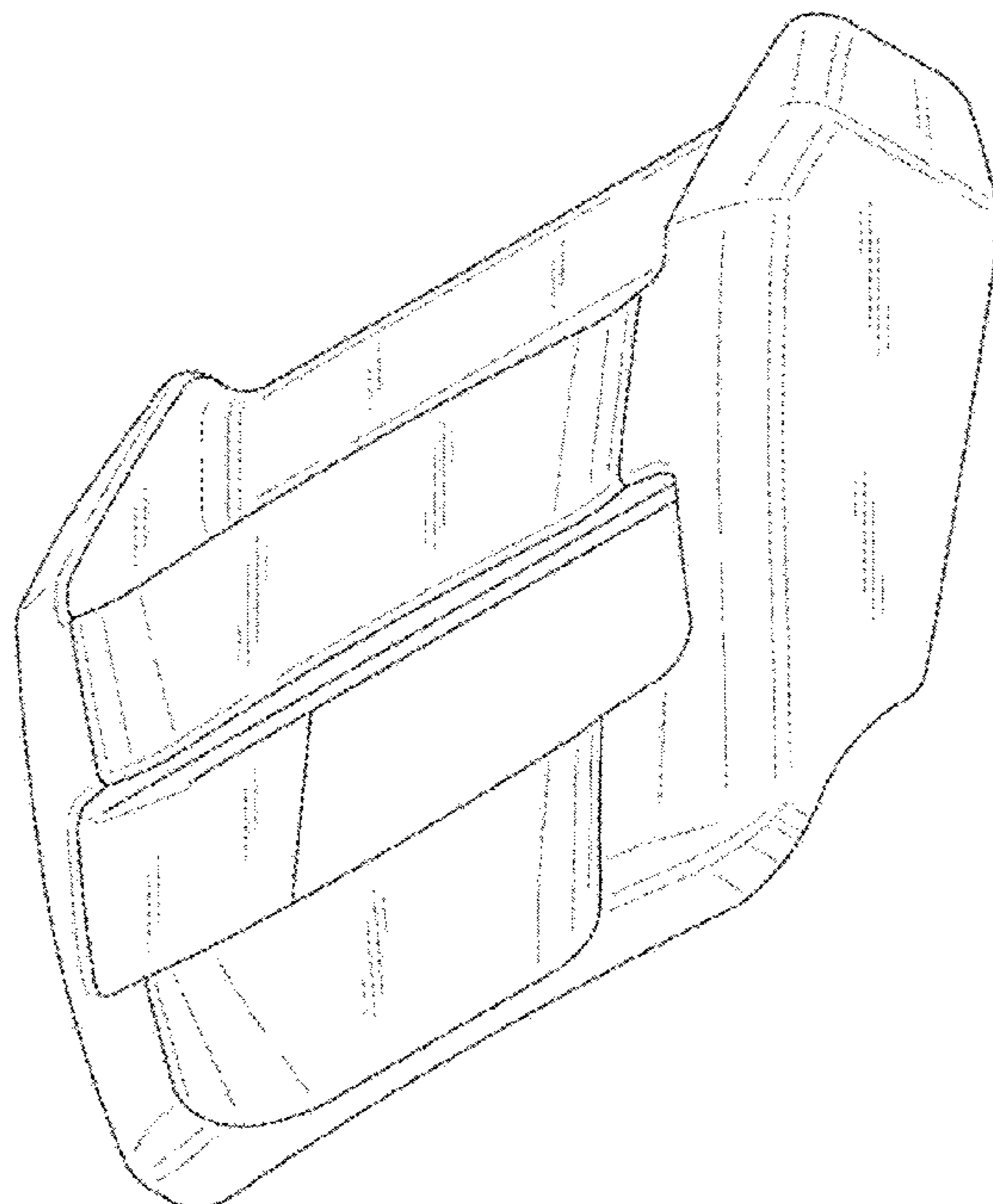
FIG. 1 is a front perspective view of a buckle showing my new design;
FIG. 2 is a rear perspective view thereof;
FIG. 3 is a front view thereof;
FIG. 4 is a rear view thereof;
FIG. 5 is a right side view thereof, the left side being a mirror image thereof;
FIG. 6 is a top view thereof; and,
FIG. 7 is a bottom view thereof.
The shading lines shown on the surface of the buckle are used to specify a three dimensional shape of the claimed portion of the buckle.

(56) **References Cited**

U.S. PATENT DOCUMENTS

D542,710 S * 5/2007 Yoshiguchi D11/218
D672,280 S * 12/2012 Schurian D11/218
D703,097 S 4/2014 Nanbu et al.
D703,098 S 4/2014 Quan

1 Claim, 7 Drawing Sheets



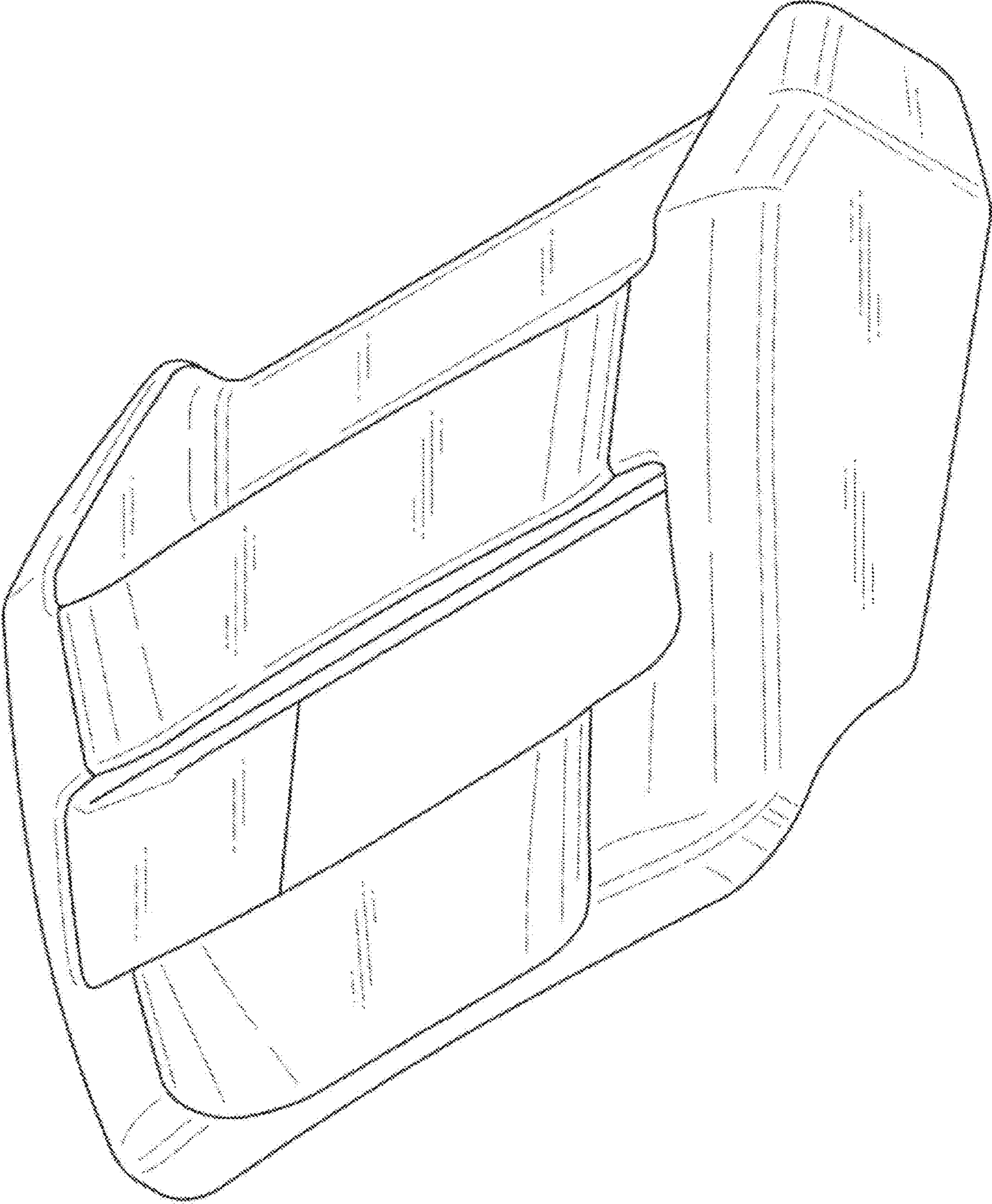


FIG. 1

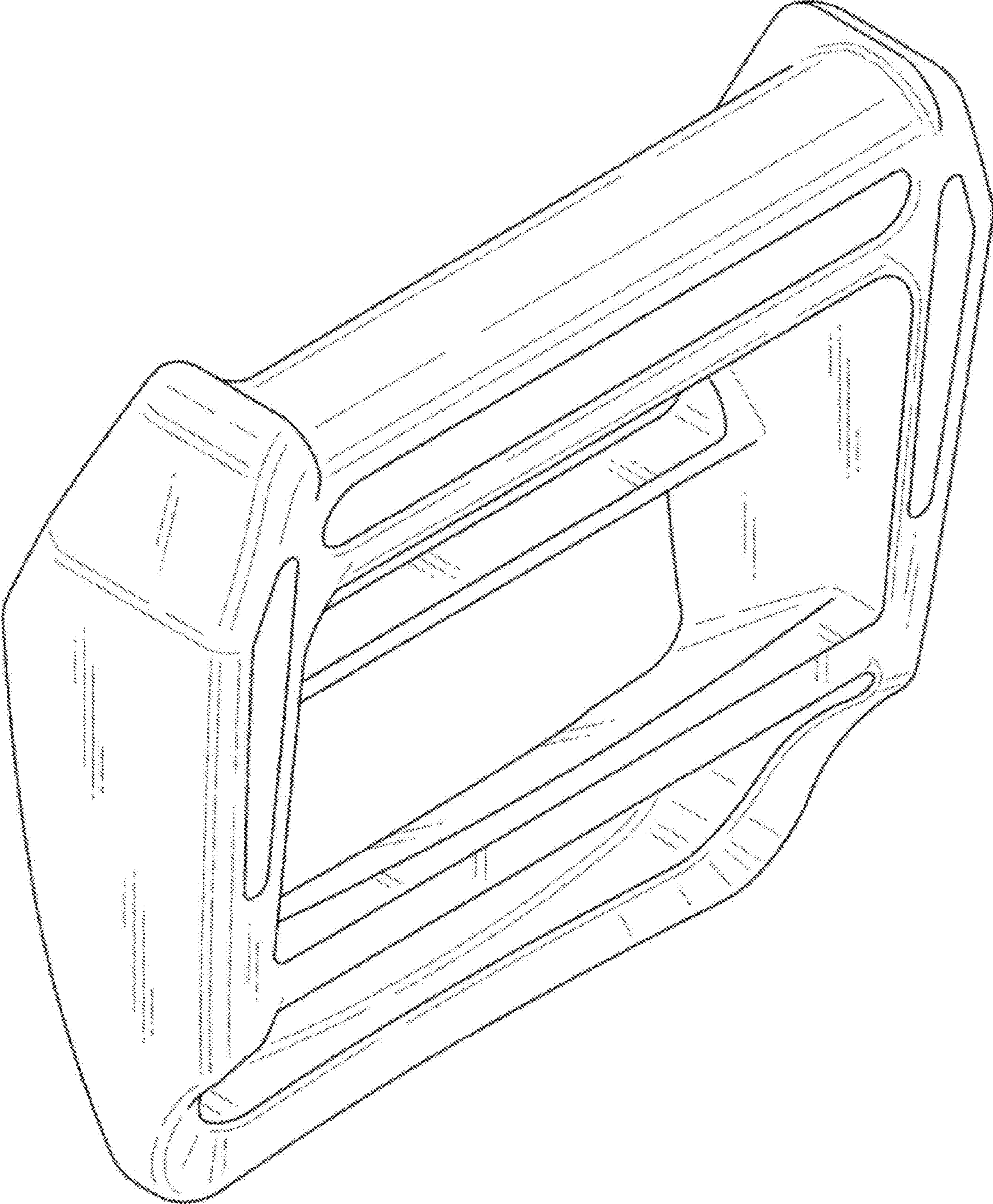


FIG. 2

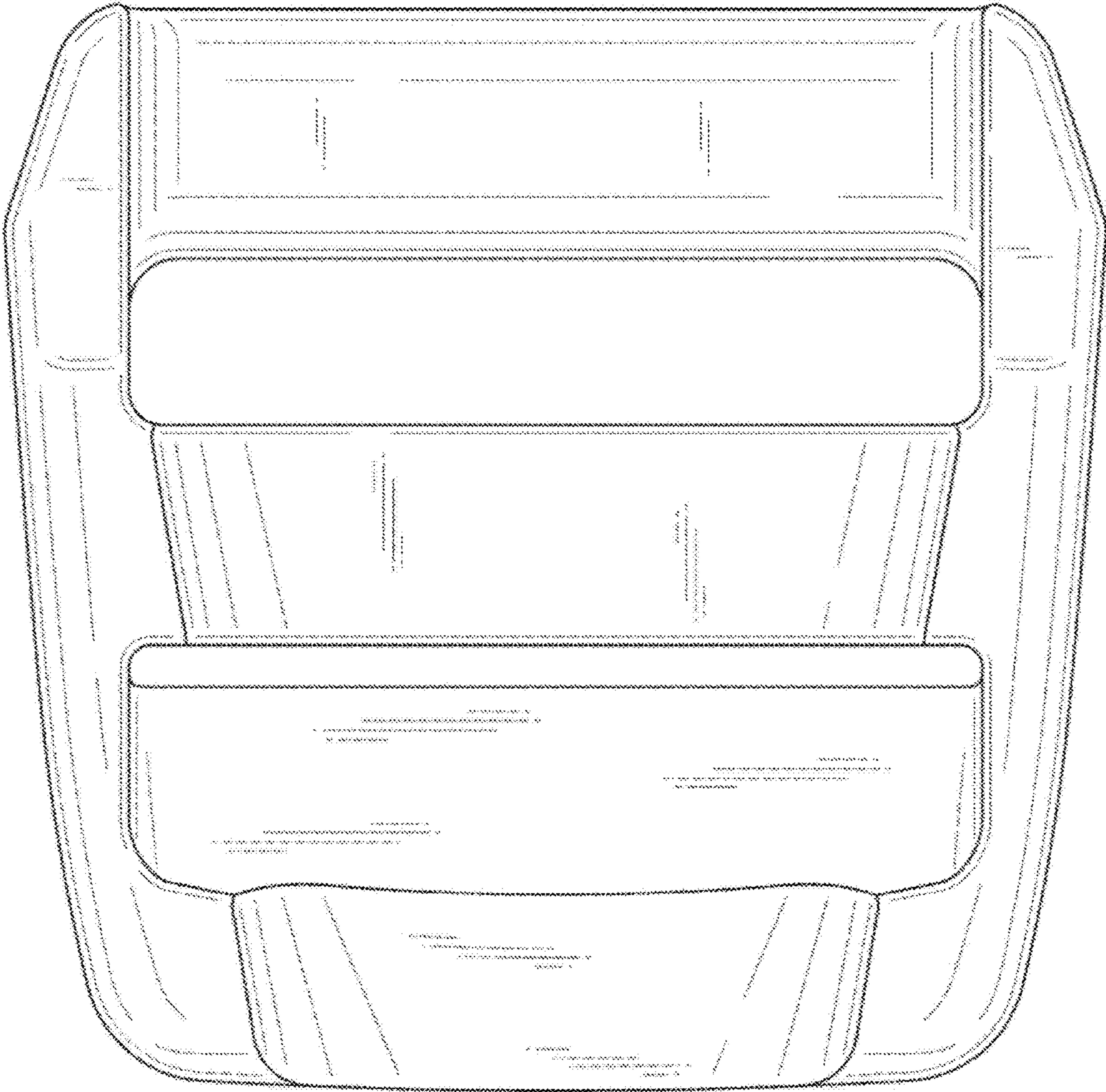


FIG. 3

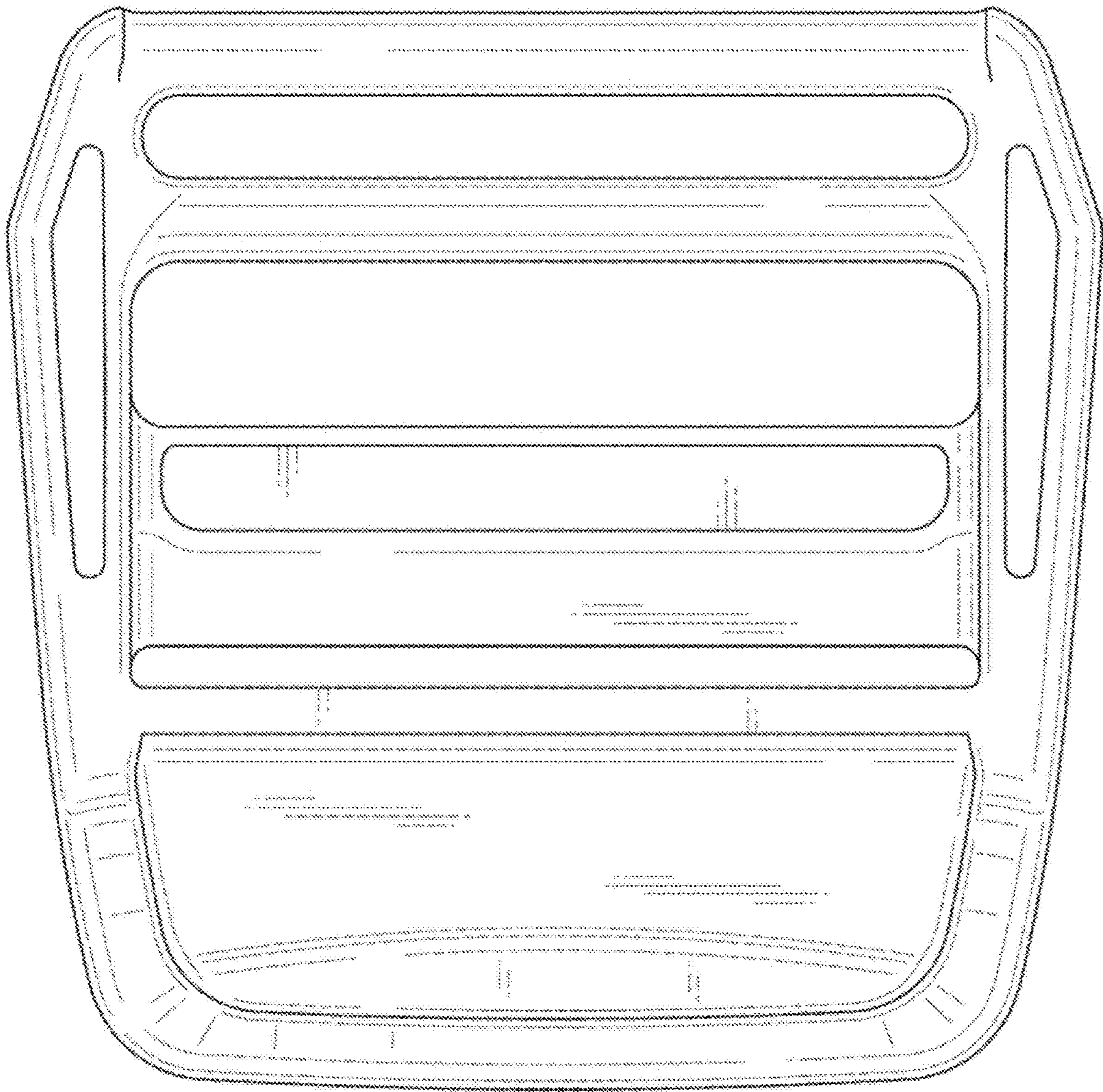


FIG. 4

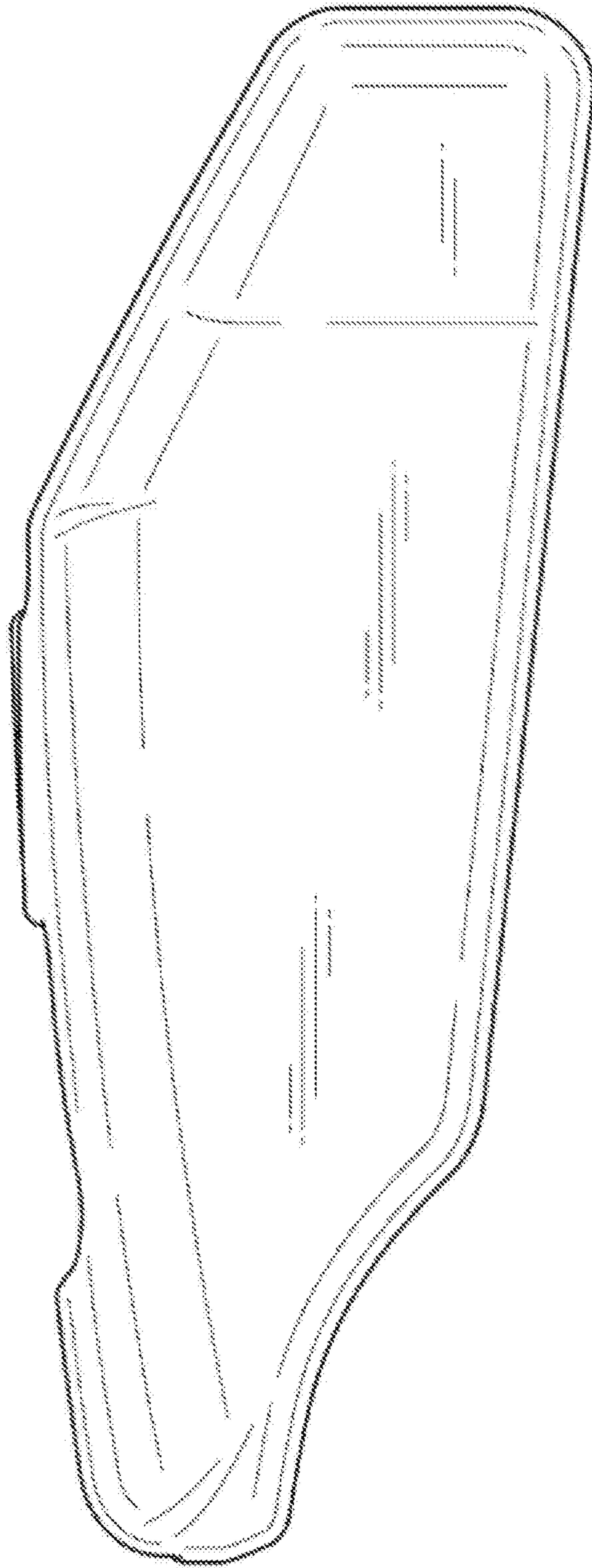


FIG. 5

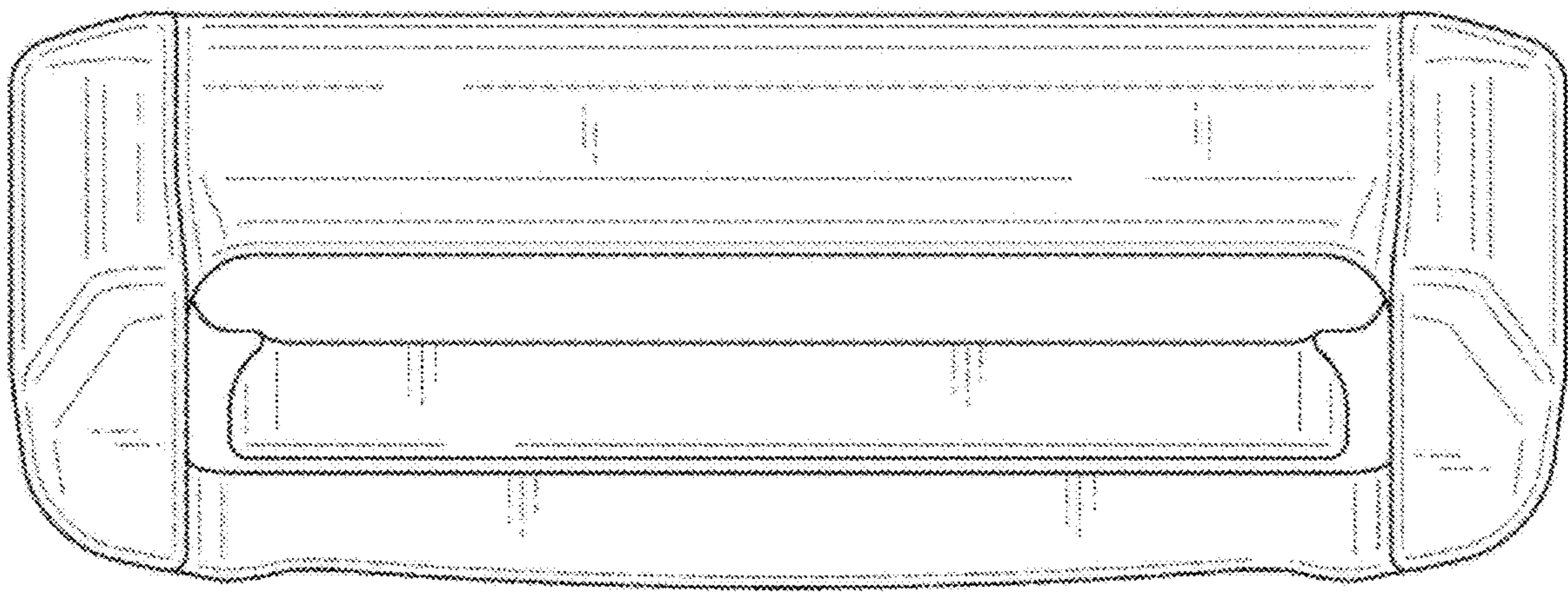


FIG. 6

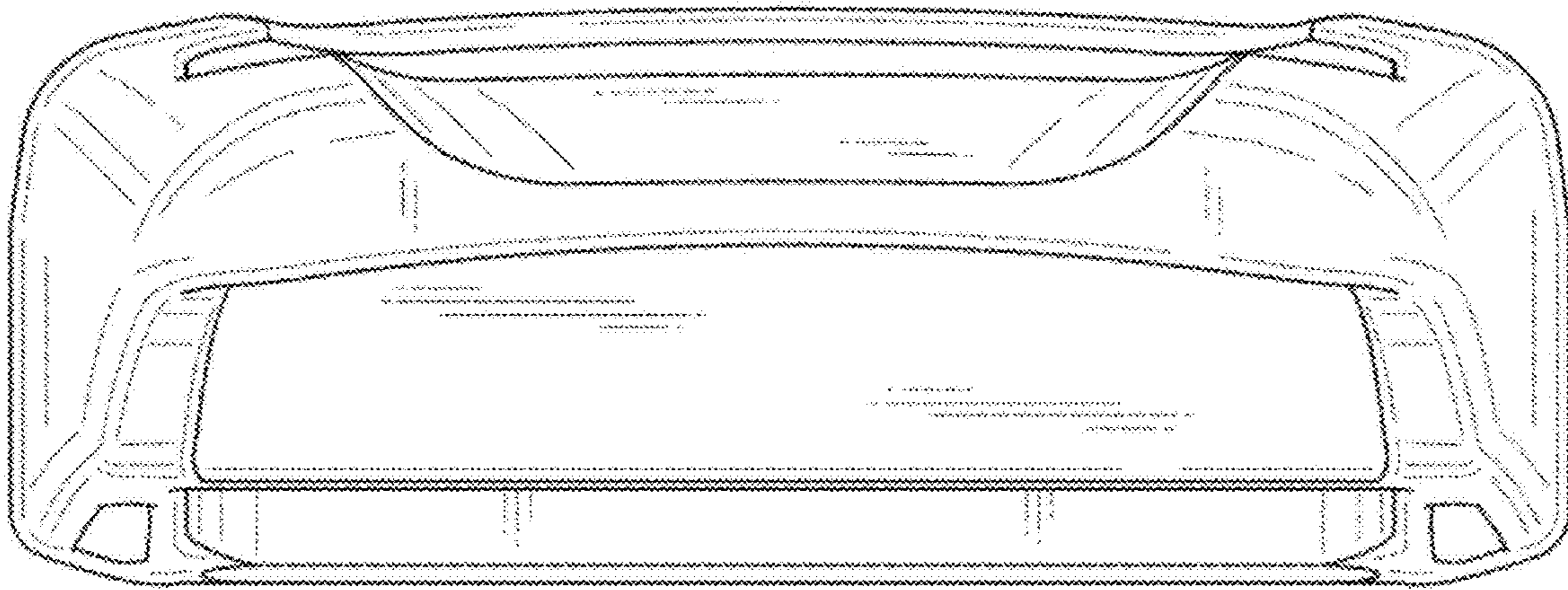


FIG. 7