



US00D856844S

(12) **United States Design Patent** (10) **Patent No.:** **US D856,844 S**
Lee (45) **Date of Patent:** **** Aug. 20, 2019**

(54) **DECORATIVE WINDMILL FRAME TOP**

5,709,569 A * 1/1998 Buck H01R 13/745
439/607.01

(71) Applicant: **JBL INTERNATIONAL, INC.**,
Houston, TX (US)

D460,007 S * 7/2002 Tseng D10/59
D477,089 S * 7/2003 Tsai D25/1
D554,060 S * 10/2007 Park D21/510

(72) Inventor: **Lawrence K. Lee**, Houston, TX (US)

(Continued)

(73) Assignee: **JBL INTERNATIONAL, INC.**,
Houston, TX (US)

OTHER PUBLICATIONS

(**) Term: **15 Years**

Char-Log Windmill Instructions and Manual, available Mar. 23, 2017, [online], [site visited Apr. 9, 2018]. Available from internet, URL: <https://web.archive.org/web/20170323225241/http://leighcountry.com/product/char-log-windmill-9ft/> (Year: 2017).*

(21) Appl. No.: **29/601,986**

(Continued)

(22) Filed: **Apr. 27, 2017**

(51) **LOC (12) Cl.** **11-02**

(52) **U.S. Cl.**
USPC **D11/164**

(58) **Field of Classification Search**
USPC D11/164, 86, 40, 48; D10/59, 60, 103;
D22/115; D25/1, 7, 23-26;
D21/506-511; 416/196 A, 197 A;
446/217, 218, 476, 477; 73/189, 190,
73/170.05, 170.06, 170.08, 170.07,
73/170.11, 178 R

CPC .. F05B 2240/2211; F03D 13/20; F03D 15/00;
F03D 1/0608; H01R 13/6582; Y02E
10/721; Y02E 10/728; Y10S 439/939

See application file for complete search history.

Primary Examiner — Cathron C Brooks

Assistant Examiner — W. A. Teddy Falloway

(74) *Attorney, Agent, or Firm* — Egbert Law Offices,
PLLC

(57) **CLAIM**

The ornamental design for a decorative windmill frame top, as shown and described.

DESCRIPTION

FIG. 1 is an upper perspective view of a decorative windmill top showing my new design.

FIG. 2 is a front view thereof, a rear view being identical; FIG. 3 is a side view thereof, an opposite side view being identical;

FIG. 4 is a top view thereof;

FIG. 5 is a bottom view thereof;

FIG. 6 is a lower perspective view thereof; and,

FIG. 7 is a perspective view illustrating the decorative windmill top in a condition of use.

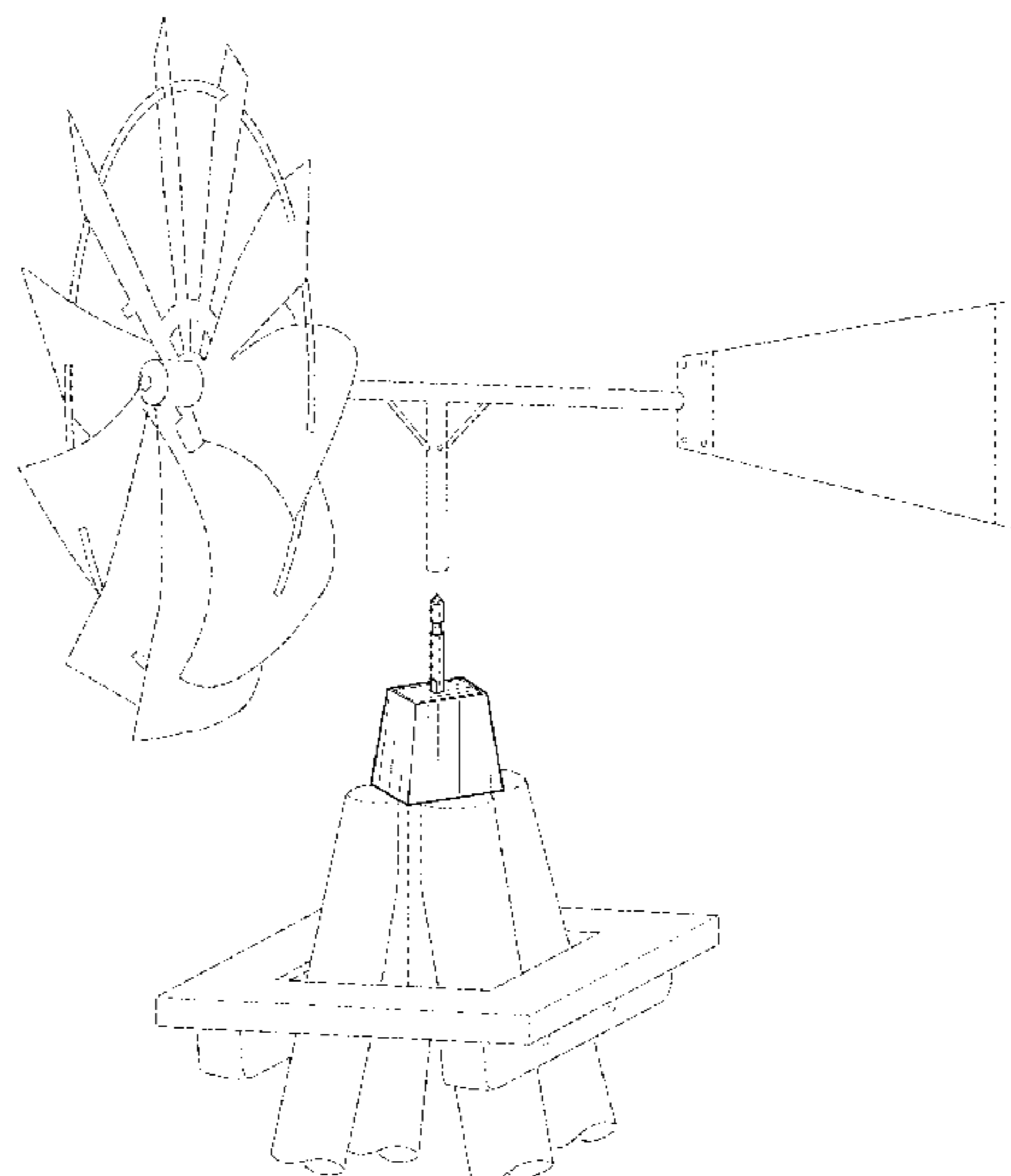
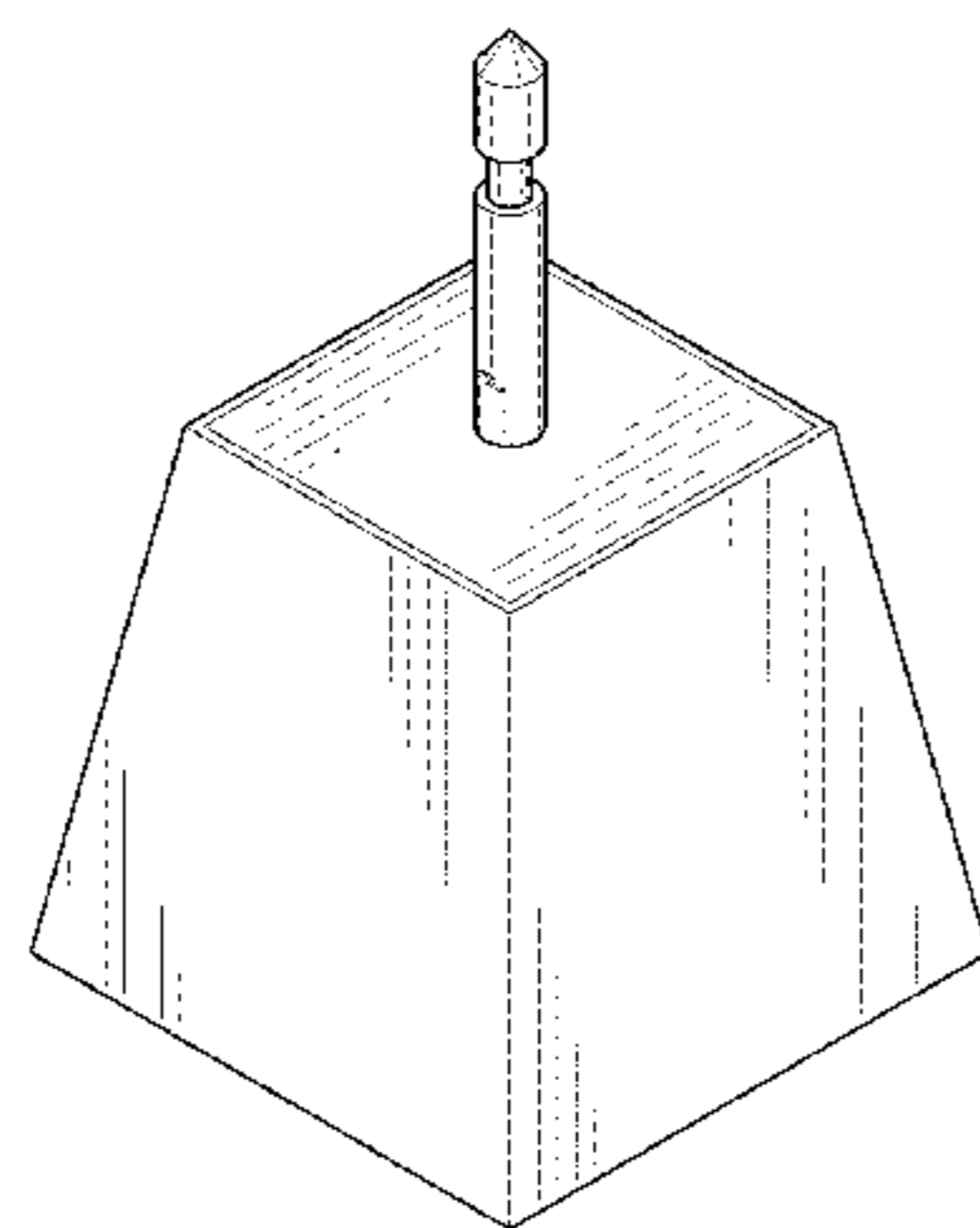
The broken lines shown in FIGS. 5 and 6 illustrate portions of the decorative windmill frame top that form no part of the claimed design. The broken lines shown in FIG. 7 represent environmental structure that forms no part of the claimed design.

(56) **References Cited**

U.S. PATENT DOCUMENTS

- D252,867 S * 9/1979 Mann D11/76
- 4,359,015 A * 11/1982 Ritchey A01K 11/004
119/655
- 4,444,543 A * 4/1984 Wilks F03D 1/0608
416/170 R
- D325,615 S * 4/1992 Matsch D11/131
- D338,942 S * 8/1993 Giannetti D22/115
- D339,763 S * 9/1993 Nalbandian D11/1
- D356,257 S * 3/1995 Wise D9/431

1 Claim, 3 Drawing Sheets



(56)

References Cited

U.S. PATENT DOCUMENTS

D635,037 S * 3/2011 Lee D10/59
D707,155 S * 6/2014 Lee D11/164
D808,851 S * 1/2018 Kwon D11/40
2009/0104039 A1* 4/2009 Vettese F03D 1/025
416/223 R
2018/0320662 A1* 11/2018 Buysse F03D 1/025

OTHER PUBLICATIONS

“By Any Chance, Do You Sell Replacement blades for this Windmill” (via Houzz), available Jan. 6, 2016, [online], [site visited Apr. 9, 2018]. Available from internet, URL: <https://www.houzz.com/discussions/3596150/by-any-chance-do-you-sell-replacement-blades-for-this-windmill> (Year: 2016).*

Char-Log A Product of Leigh Country (via amazon.com), available Feb. 10, 2017, [online], [site visited May 2, 2019]. Available from internet, URL: https://www.amazon.com/Char-log-Product-Leigh-Country-TX93485/dp/B01D91DZHQ/ref=pd_sbs_86_7 (Year: 2017).*

Stainless Steel Pyramid Post (via etsy), available May 8, 2017, [online], [site visited May 2, 2019]. Available from internet, URL: https://www.etsy.com/listing/247005447/stainless-steel-pyramid-post-50?ga_order=most_relevant&ga_search_type=all&ga (Year: 2017).*

* cited by examiner

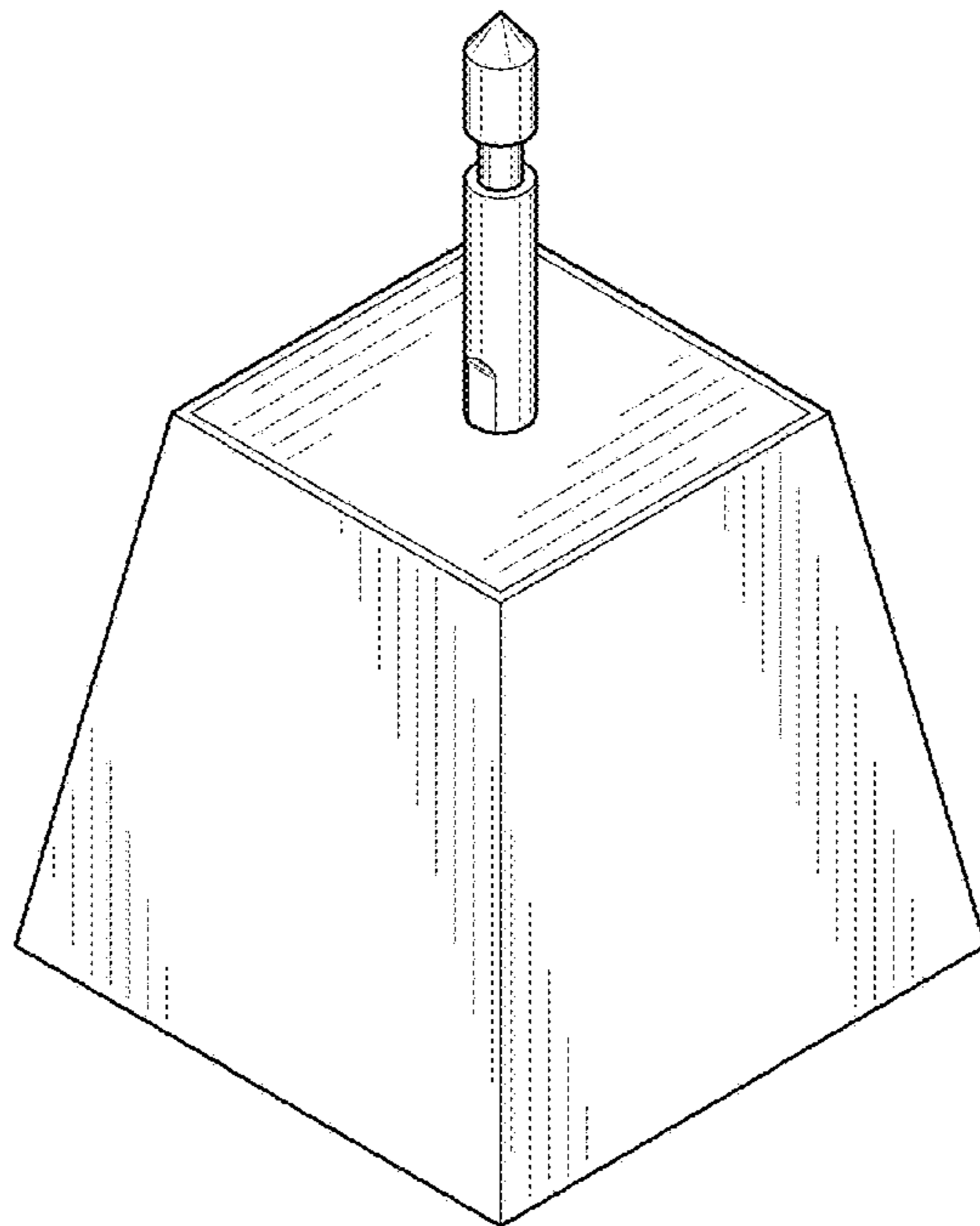


FIG. 1

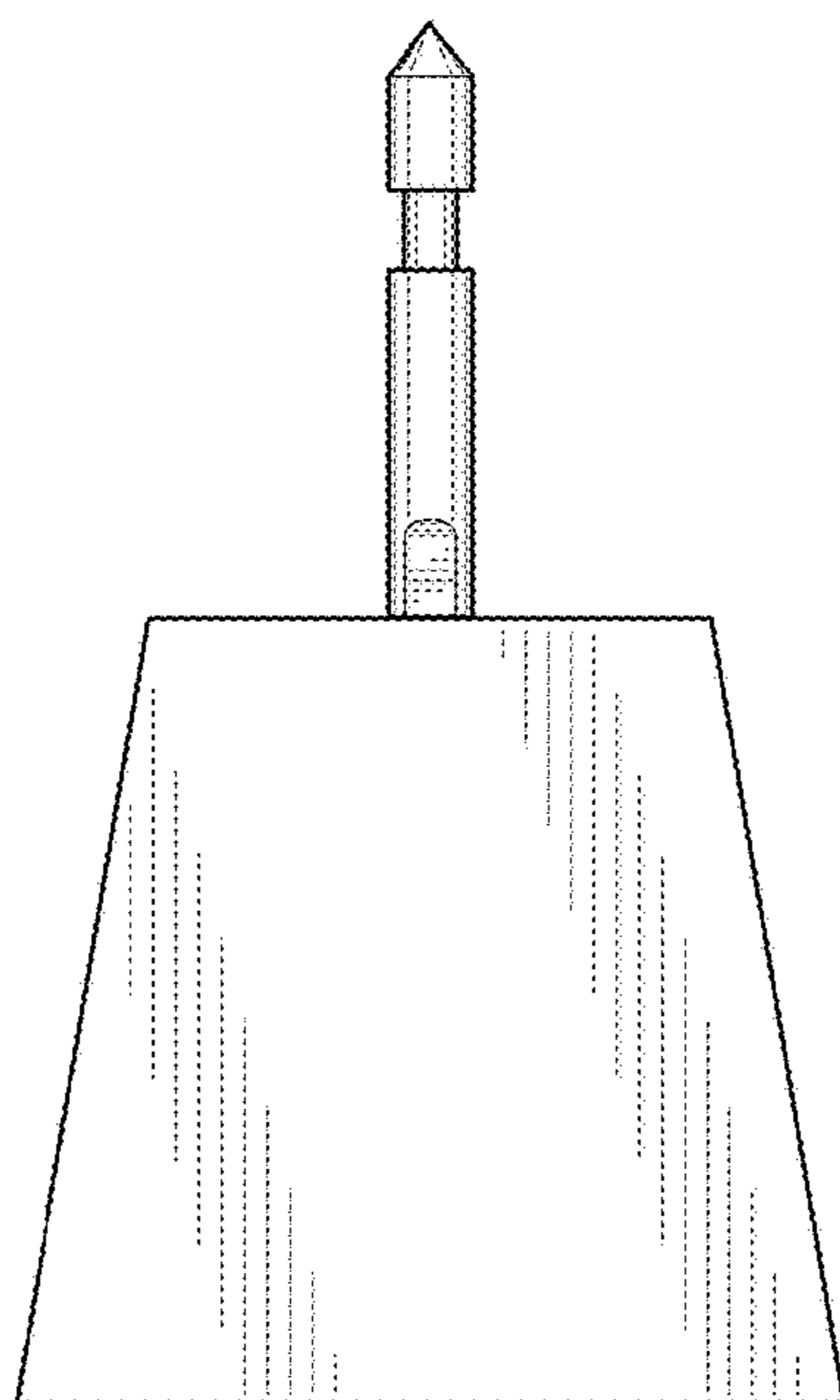


FIG. 2

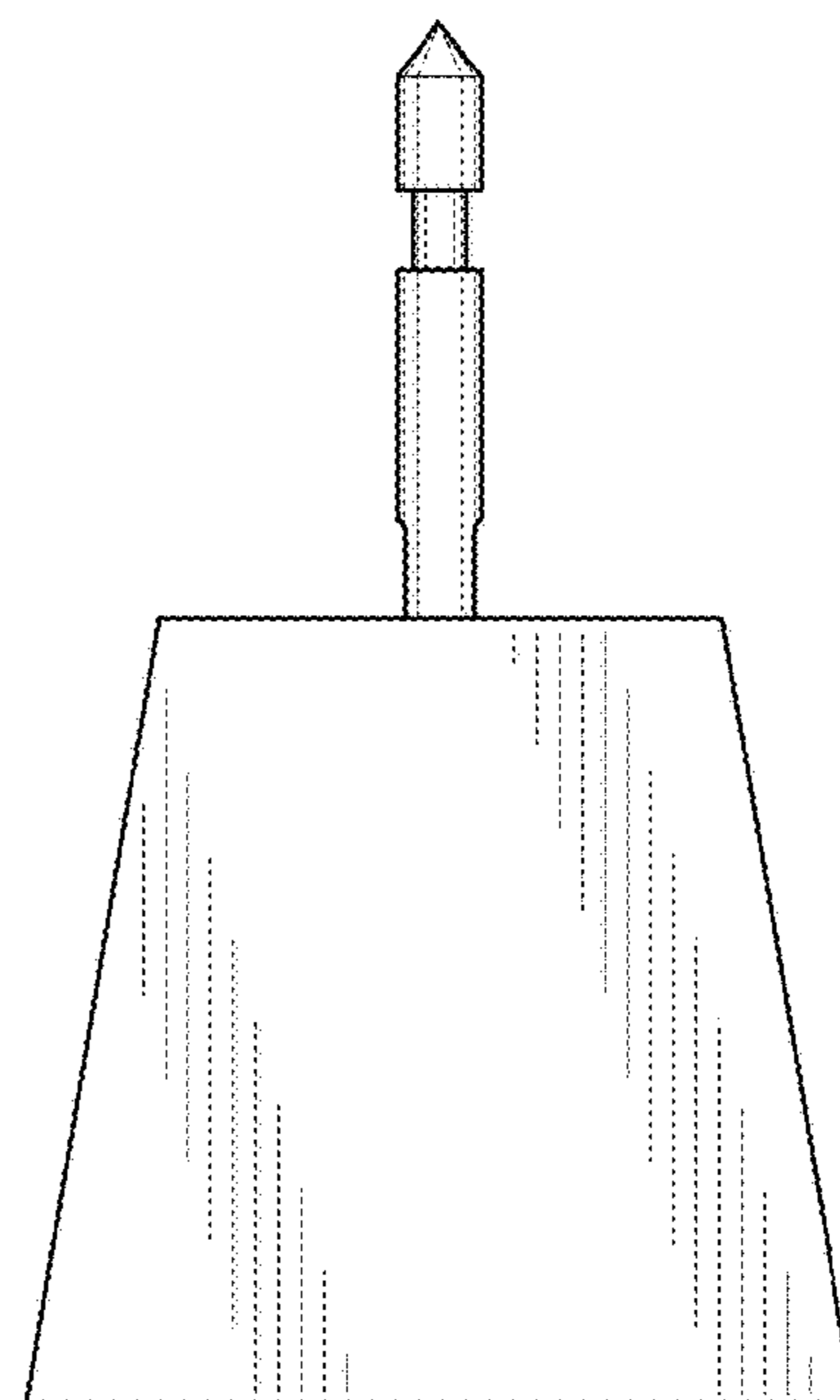


FIG. 3

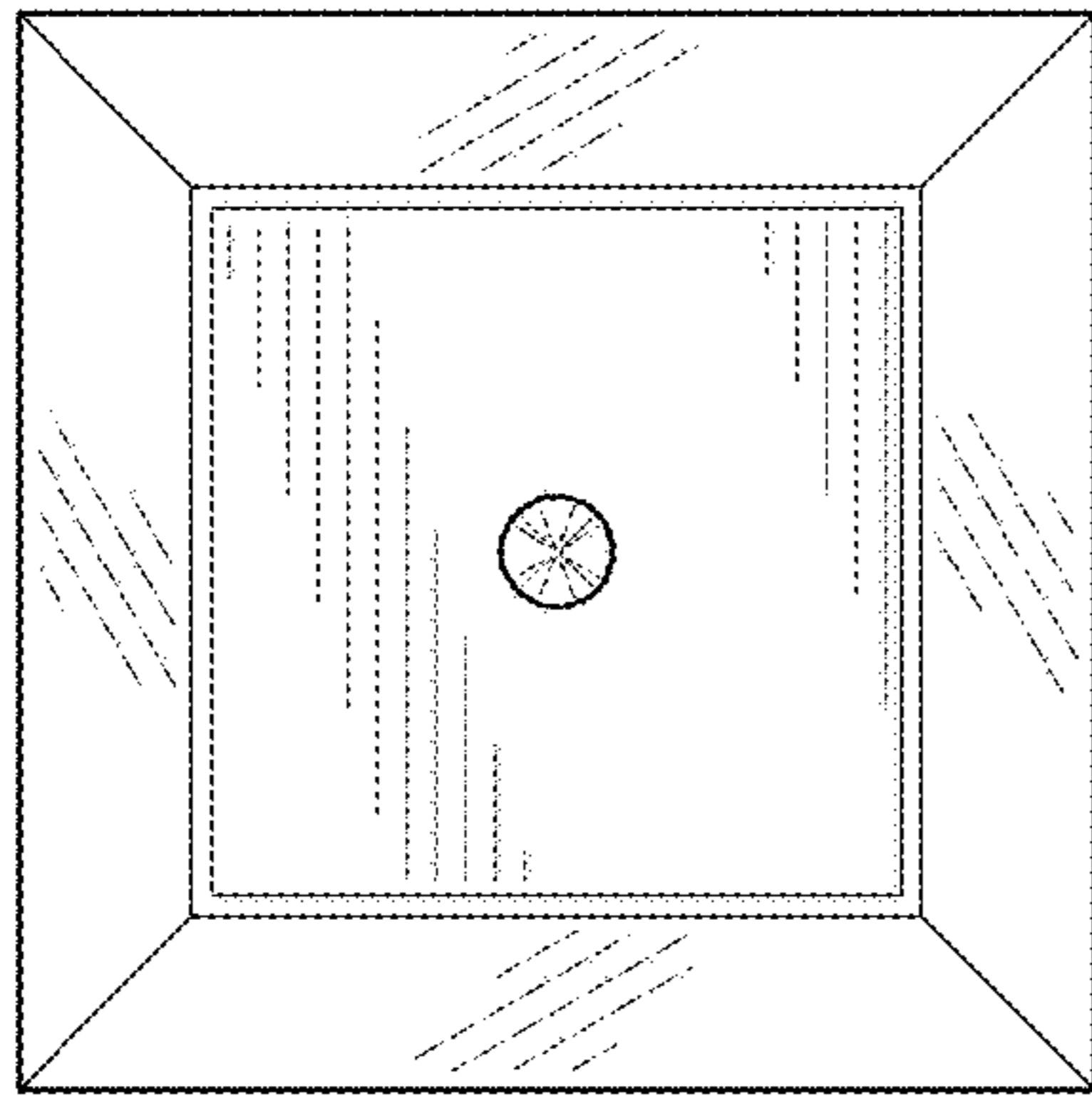


FIG. 4

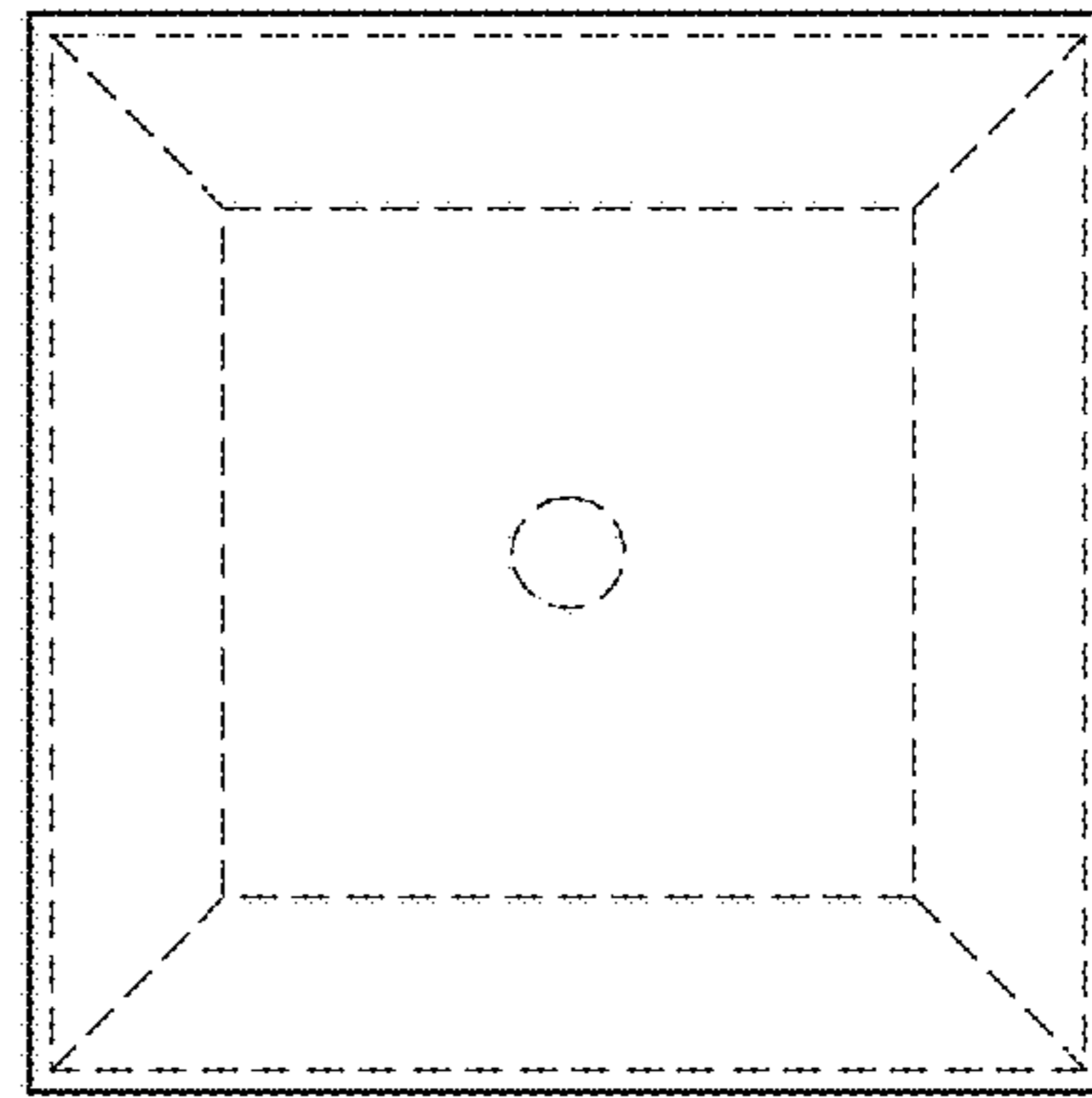


FIG. 5

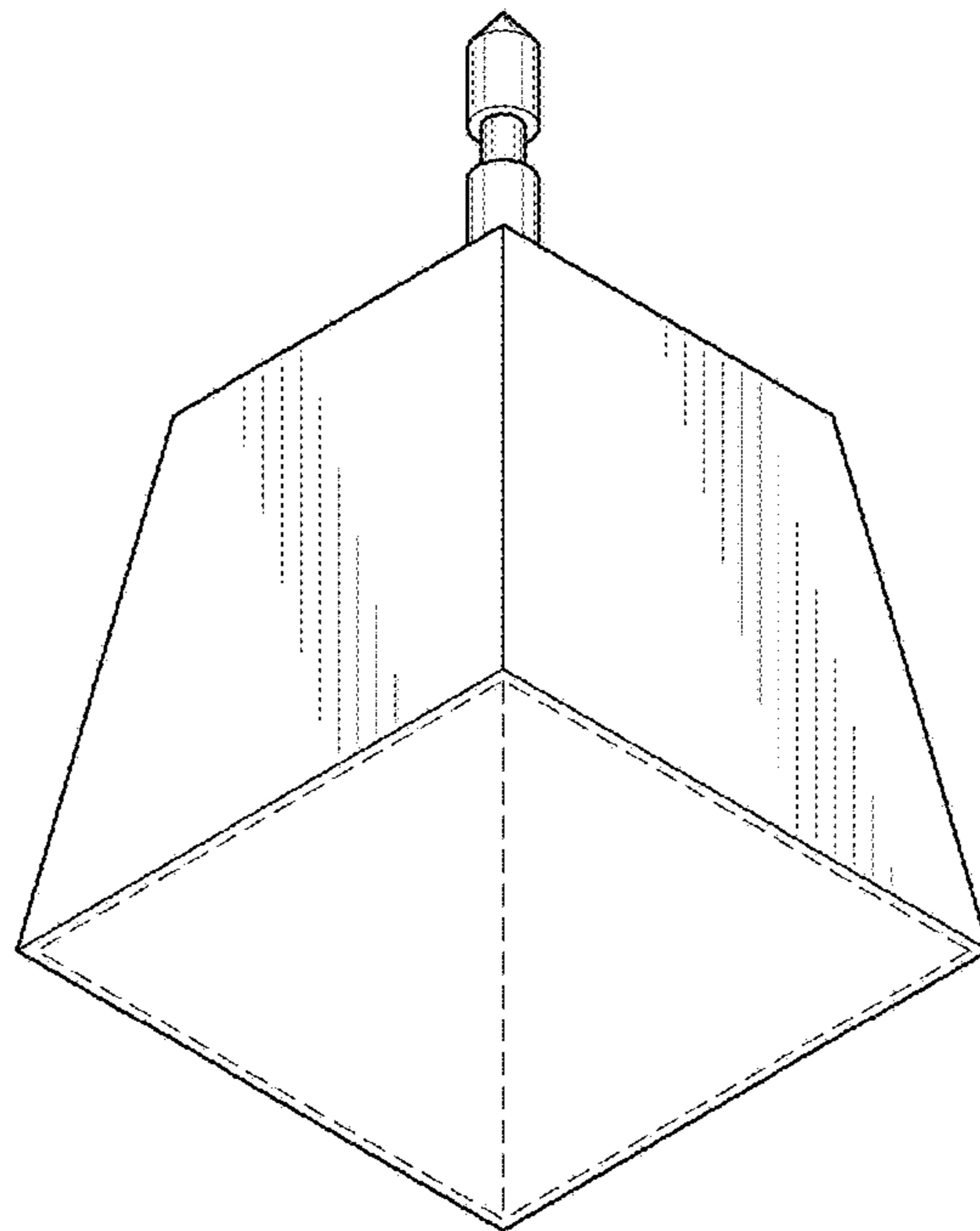


FIG. 6

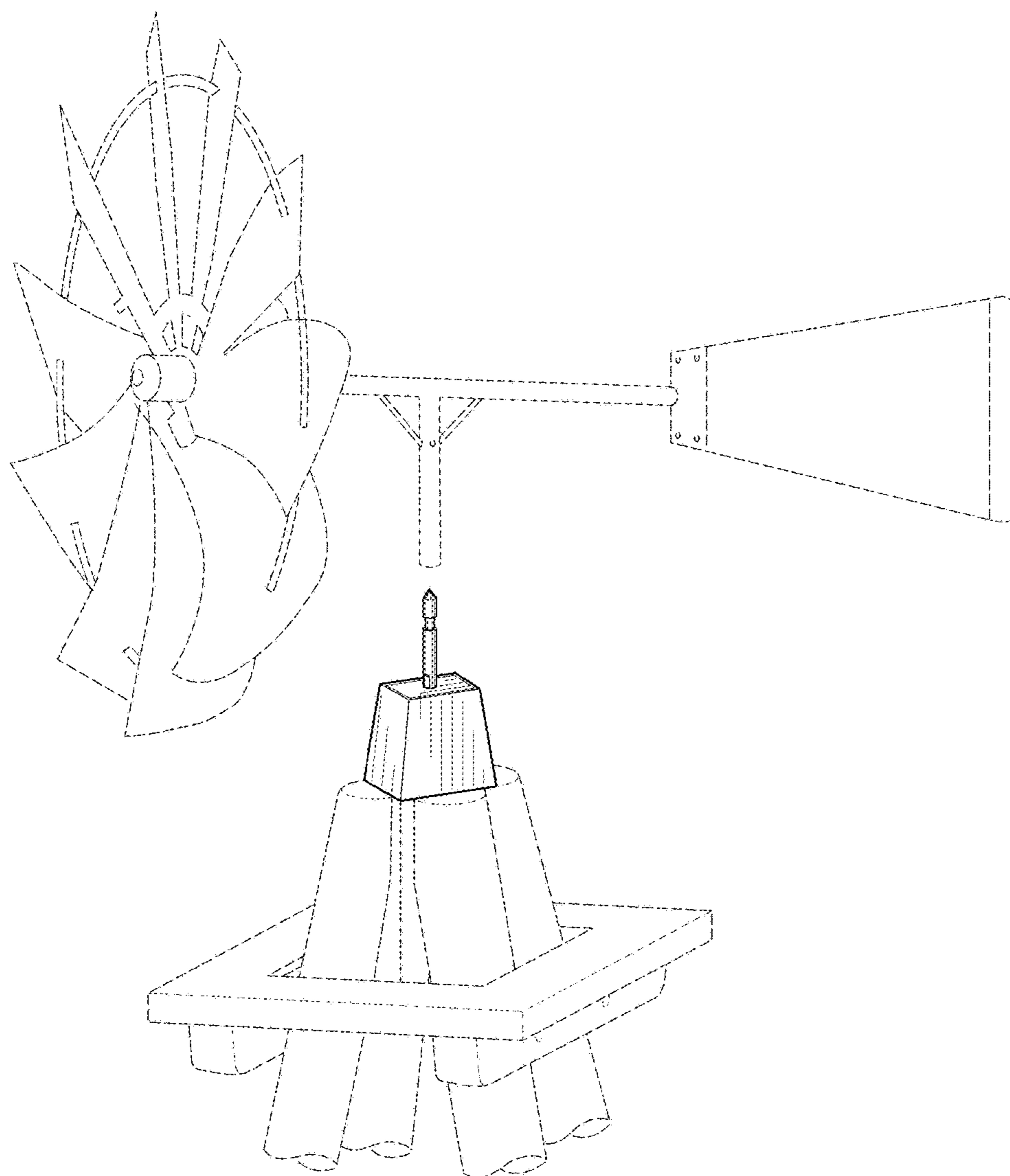


FIG. 7