



US00D856841S

(12) **United States Design Patent** (10) **Patent No.:** **US D856,841 S**
Pandolfino (45) **Date of Patent:** **** Aug. 20, 2019**

(54) **NECKWEAR FOR MINTED COINS OR ROUNDS**

(71) Applicant: **PATUGA LLC**, Clarence, NY (US)
(72) Inventor: **Joseph Pandolfino**, Clarence, NY (US)
(73) Assignee: **PATUGA LLC**, Clarence, NY (US)
(**) Term: **15 Years**
(21) Appl. No.: **29/679,816**
(22) Filed: **Feb. 11, 2019**

(51) **LOC (12) Cl.** **11-01**

(52) **U.S. Cl.**
USPC **D11/79**; D11/1; D2/605

(58) **Field of Classification Search**
USPC D11/1, 2, 3, 7, 8, 12, 19, 40-54, 79-86, D11/87, 91, 92, 93; D3/207; D6/300; D2/600-609, 627, 633.637
CPC .. A44C 1/00; A44C 3/00; A44C 3/004; A44C 3/005; A44C 3/007; A44C 3/008; A44C 5/02; A44C 7/002; A44C 25/00;

(Continued)

(56) **References Cited**

U.S. PATENT DOCUMENTS

D55,788 S 7/1920 Griffin
D67,566 S 6/1925 Allmendinger

(Continued)

FOREIGN PATENT DOCUMENTS

AT 389630 B 1/1990
CN 2888922 Y 4/2007

(Continued)

OTHER PUBLICATIONS

The fusionguy, <https://thefusionguy.wordpress.com/category/woodworking/>; author and publication date unknown Obtained on or before Mar. 8, 2019.

(Continued)

Primary Examiner — Melanie Pellegrini
(74) *Attorney, Agent, or Firm* — Sughrue Mion, PLLC

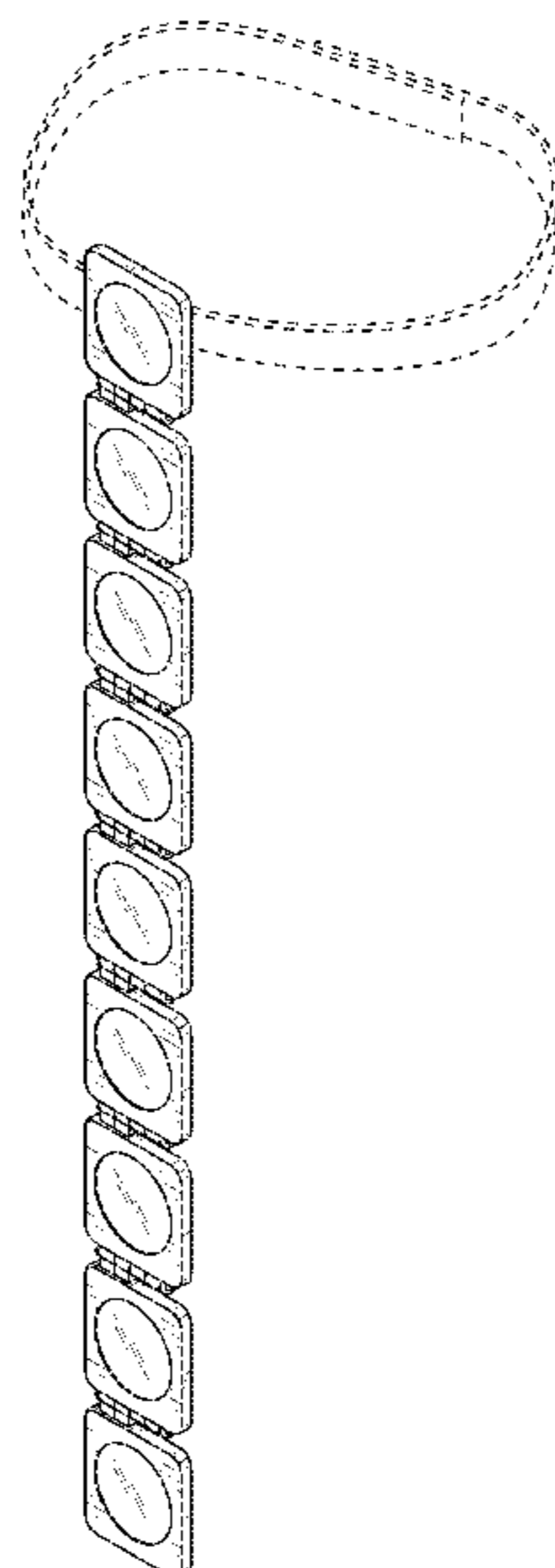
(57) **CLAIM**

The ornamental design for a neckwear for minted coins or rounds, as shown and described.

DESCRIPTION

FIG. 1 is a front view of a first embodiment of a neckwear for minted coins or rounds showing my new design; FIG. 2 is a rear view thereof; FIG. 3 is a right side view thereof; FIG. 4 is a left side view thereof; FIG. 5 is a top view thereof; FIG. 6 is a bottom view thereof; FIG. 7 is a front perspective view thereof; FIG. 8 is a front view of a second embodiment of a neckwear for minted coins or rounds showing my new design; FIG. 9 is a rear view thereof; FIG. 10 is a right side view thereof; FIG. 11 is a left side view thereof; FIG. 12 is a top view thereof; FIG. 13 is a bottom view thereof; FIG. 14 is a front perspective view thereof; FIG. 15 is a front view of a third embodiment of a neckwear for minted coins or rounds showing my new design; FIG. 16 is a rear view thereof; FIG. 17 is a right side view thereof; FIG. 18 is a left side view thereof; FIG. 19 is a top view thereof; FIG. 20 is a bottom view thereof; and, FIG. 21 is a front perspective view thereof. The broken lines depict portions of the neckwear that form no part of the claimed design.

1 Claim, 12 Drawing Sheets



(58) **Field of Classification Search**

CPC ... A44C 25/001; A44C 25/002; A44C 25/004;
 A44C 25/005; A44C 25/007; A41D
 23/00; A41D 25/00; A41D 25/003; A41D
 25/004; A41D 25/005; A41D 25/008;
 A41D 25/02; A41D 25/06; G07D 9/002;
 A47G 1/12

See application file for complete search history.

10,136,689 B1 11/2018 Pandolfino
 D834,989 S 12/2018 Pandolfino
 D834,991 S 12/2018 Pandolfino
 10,149,505 B2* 12/2018 Pandolfino A41D 25/005
 10,172,400 B1 1/2019 Pandolfino
 2013/0263625 A1* 10/2013 Taylor-Cattapan
 A44C 17/0258
 63/4

(56)

References Cited

U.S. PATENT DOCUMENTS

D112,303 S 11/1938 Huddle
 D121,456 S * 7/1940 Masters D2/633
 D178,449 S 8/1956 Brown
 3,127,302 A * 3/1964 Bunting A63H 33/22
 206/486
 D230,540 S * 3/1974 Gillman D2/632
 4,165,573 A * 8/1979 Richards A44C 3/00
 206/0.8

 4,447,913 A 5/1984 Engelson
 D276,191 S 11/1984 Engelson
 4,546,494 A 10/1985 Garber
 4,617,685 A 10/1986 Grandis
 4,627,113 A 12/1986 Lord
 D294,658 S * 3/1988 Davenport, Sr. D2/633
 D301,520 S * 6/1989 Campbell D2/608
 4,903,825 A * 2/1990 Harlan A45C 11/24
 206/499

 D318,754 S 8/1991 Hughes
 5,036,550 A 8/1991 Wilsey
 D320,499 S 10/1991 White et al.
 D335,763 S 5/1993 Jacob
 5,238,528 A 8/1993 Heinrich
 D374,111 S * 10/1996 Wilson D11/12
 5,673,434 A 10/1997 Risk
 D398,435 S 9/1998 Gray
 D480,533 S 10/2003 Bryant, II et al.
 D605,376 S * 12/2009 Dickerson D2/605
 D663,916 S * 7/2012 Bracey D2/605
 D668,429 S 10/2012 Ross
 D681,496 S 5/2013 Goerges
 D734,685 S 7/2015 Barresi
 D748,370 S 2/2016 Johnson
 D775,777 S 1/2017 Peral
 D817,592 S 5/2018 Pandolfino
 D824,795 S 8/2018 Pandolfino
 D825,373 S 8/2018 Pandolfino

FOREIGN PATENT DOCUMENTS

JP 2010-248641 A 11/2010
 WO 88/06414 A1 9/1988

OTHER PUBLICATIONS

<http://woodknot.com/>; author and publication date unknown Obtained on or before Mar. 8, 2019.
<http://www.jebiga.com/cams-wooden-ties-new-take-fashion/>; author and publication date unknown obtained on or before Mar. 3, 2019.
<https://www.vat19.com/item/wood-tie>; author and publication date unknown Obtained on or before Mar. 8, 2019.
 Engineering Corner, <https://www.shapeways.com/product/MUT37CQWA/articulated-necktie-clips-on-to-your-top-button>; author and publication date unknown obtained on or before Mar. 8, 2019.
 Hatfeathers Vintage, <http://www.hatfeathersvintage.com/shop/vintage-80s-red-black-big-polka-dot-tie-necktie>; author and publication date unknown obtained on or before Mar. 8, 2019.
 Ties.com, <https://www.ties.com/v/a/holidays-ornaments-shaped-black-tie>; author and publication date unknown obtained on or before Mar. 8, 2019.
 Ties.com, <https://www.ties.com/wild-ties-black-the-8-planets-skinny-tie>; author and publication date unknown obtained on or before Mar. 8, 2019.
 tie-necktie.com, http://www.ties-necktie.com/giant-polka-dot-skinny-tie-blue-p-21337.html?gclid=EAlalQobChMIppjtlaXT2A1VmY-zCh2CTABBEAQYASABEgINCPD_BwE; author and publication date unknown obtained on or before Mar. 8, 2019.
 Stoneforlife; https://www.etsy.com/listing/570676239/pave-diamond-rectangle-moonstone-charm?gpla=l&gao=1&utm_campaign=shopping_us_stoneforlife_sfc_osa&utm_medium=cpc&utm_source=google&utm_custom1=0&utm_content=16154542&gclid=EAlalQobChMIh66Zo6_T2A1VxYqzChy3g50EAQYBCABEgJOuPD_BwE; author and publication date unknown obtained on or before Mar. 8, 2019.

* cited by examiner

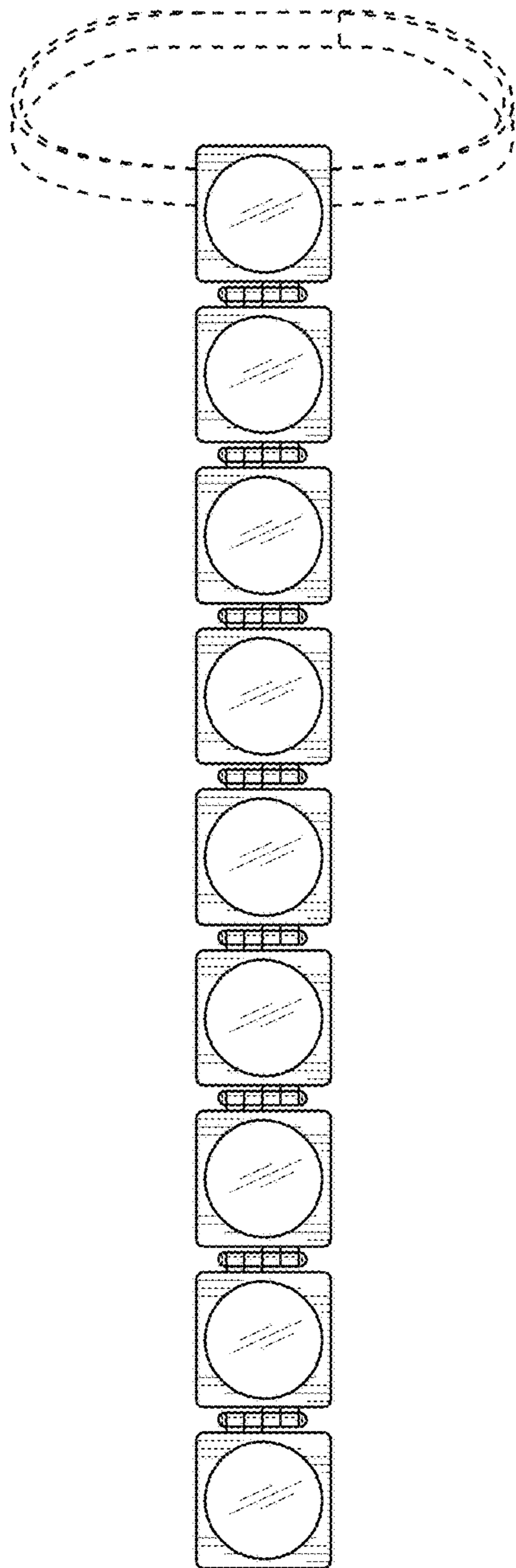


FIG. 1

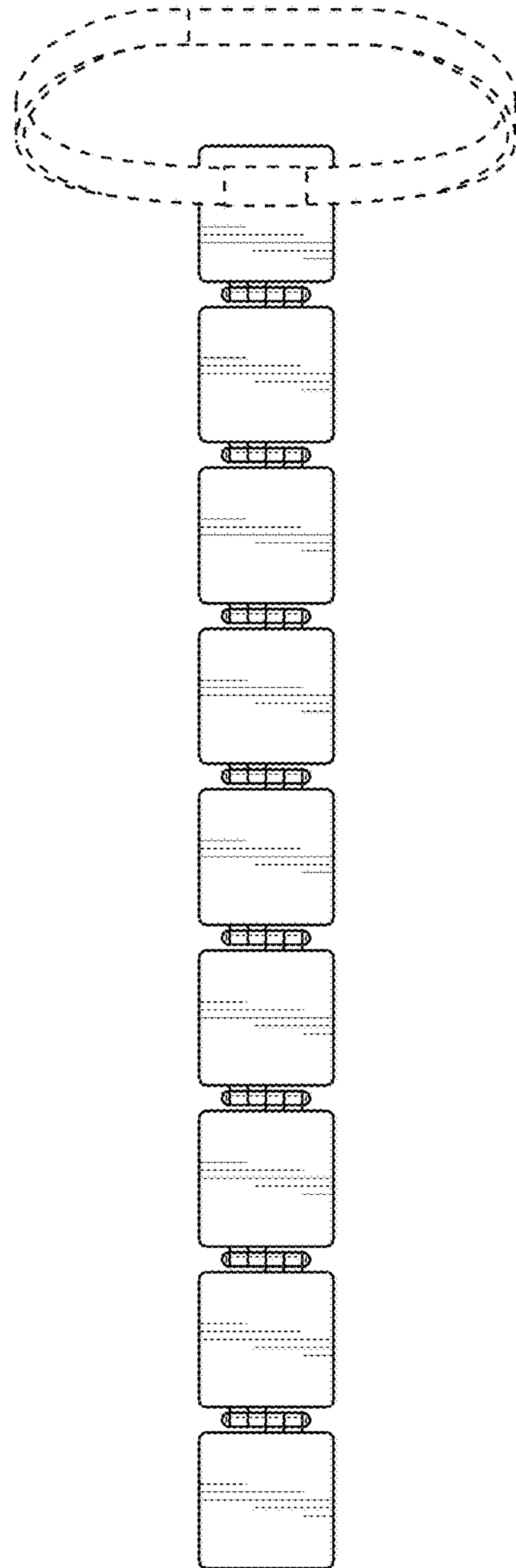


FIG. 2

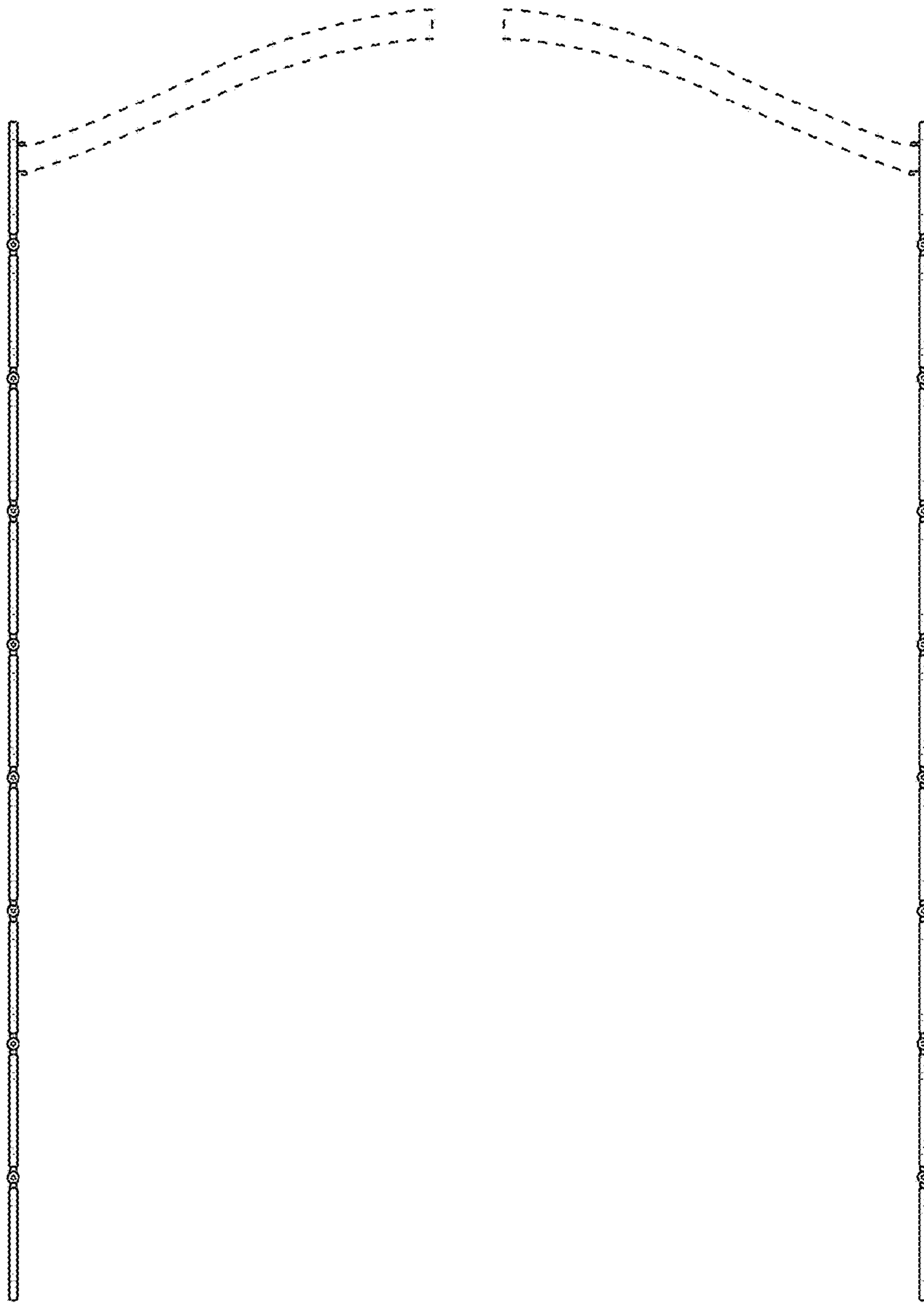


FIG. 3

FIG. 4

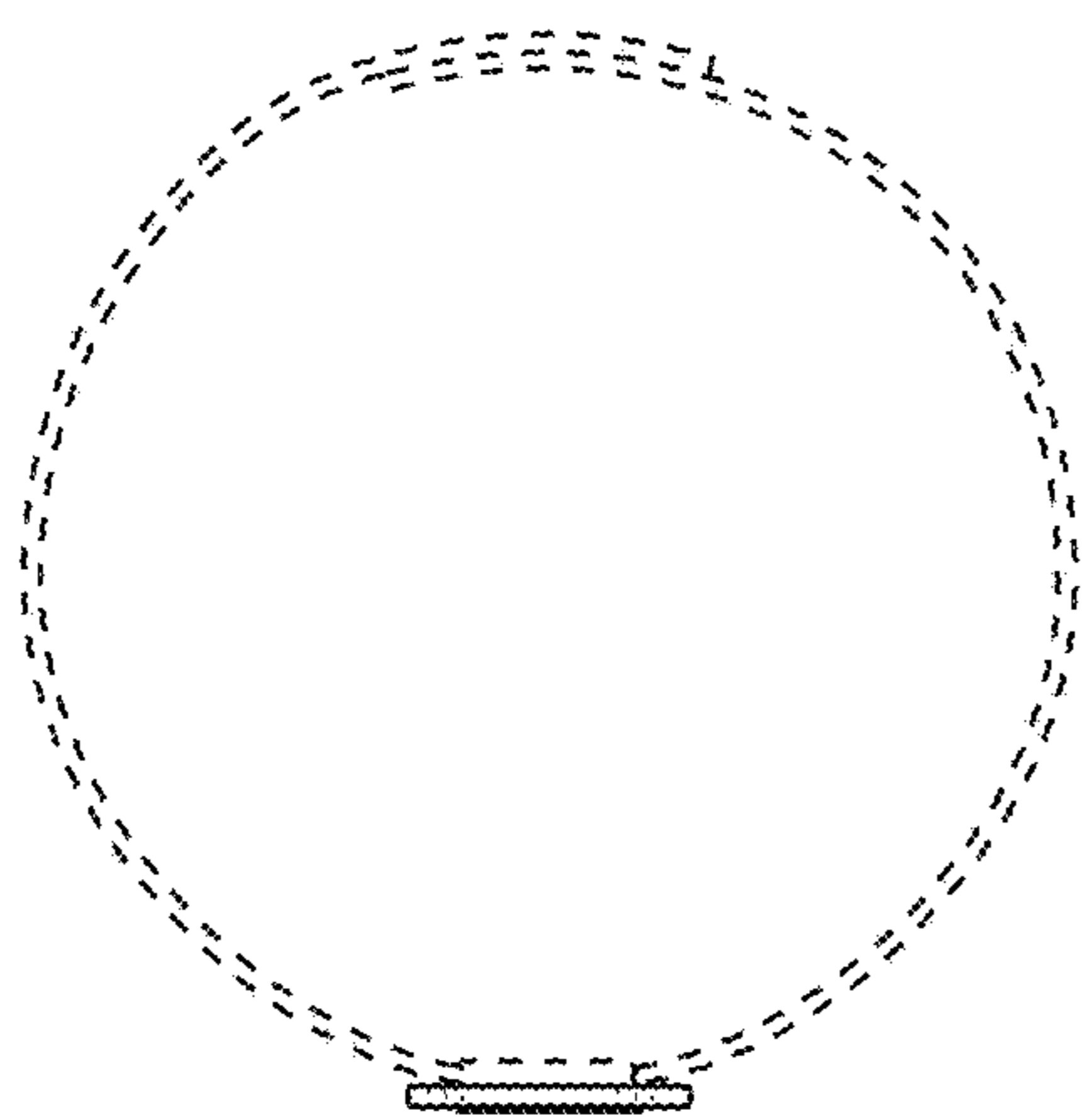


FIG. 5

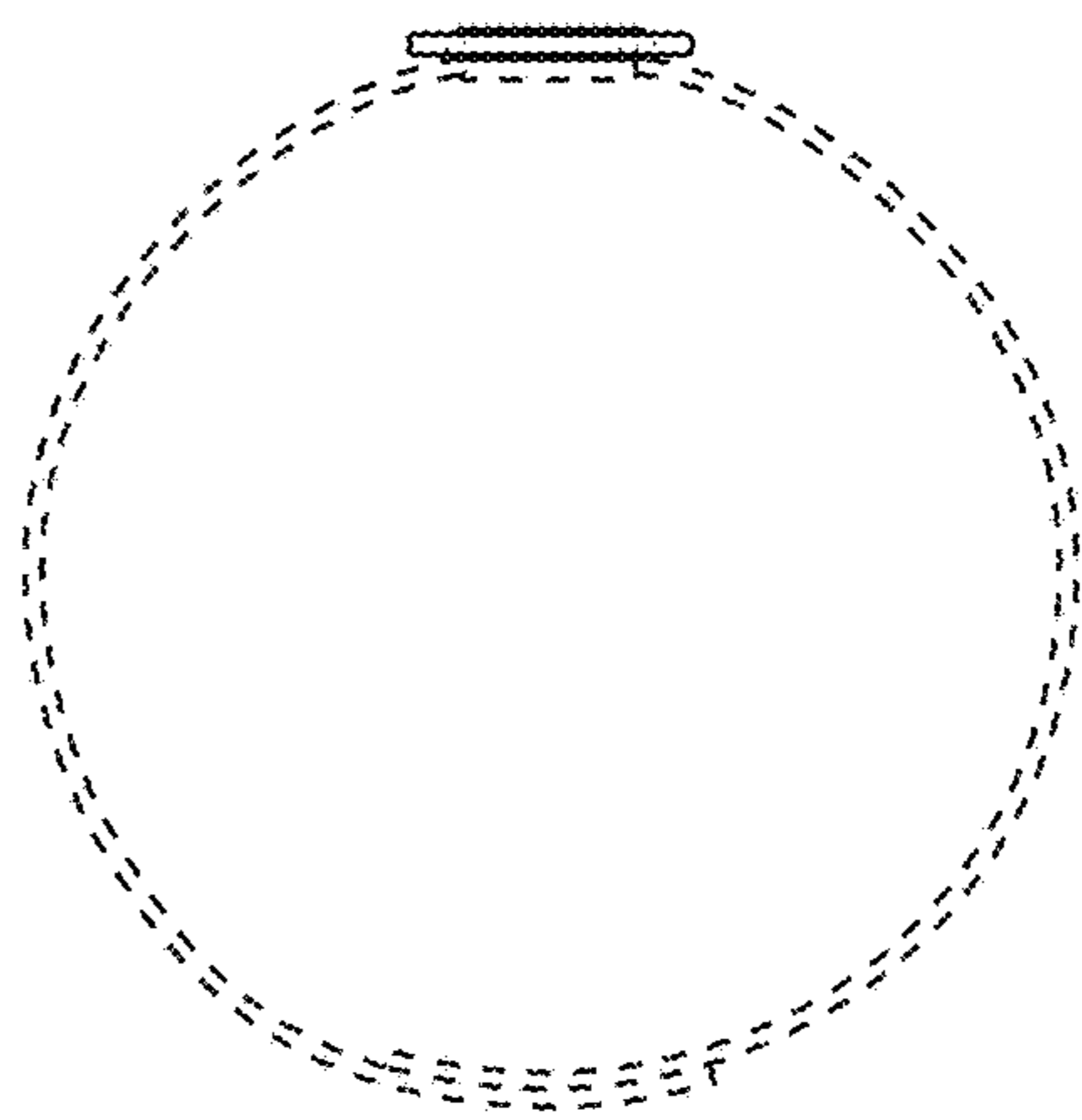


FIG. 6

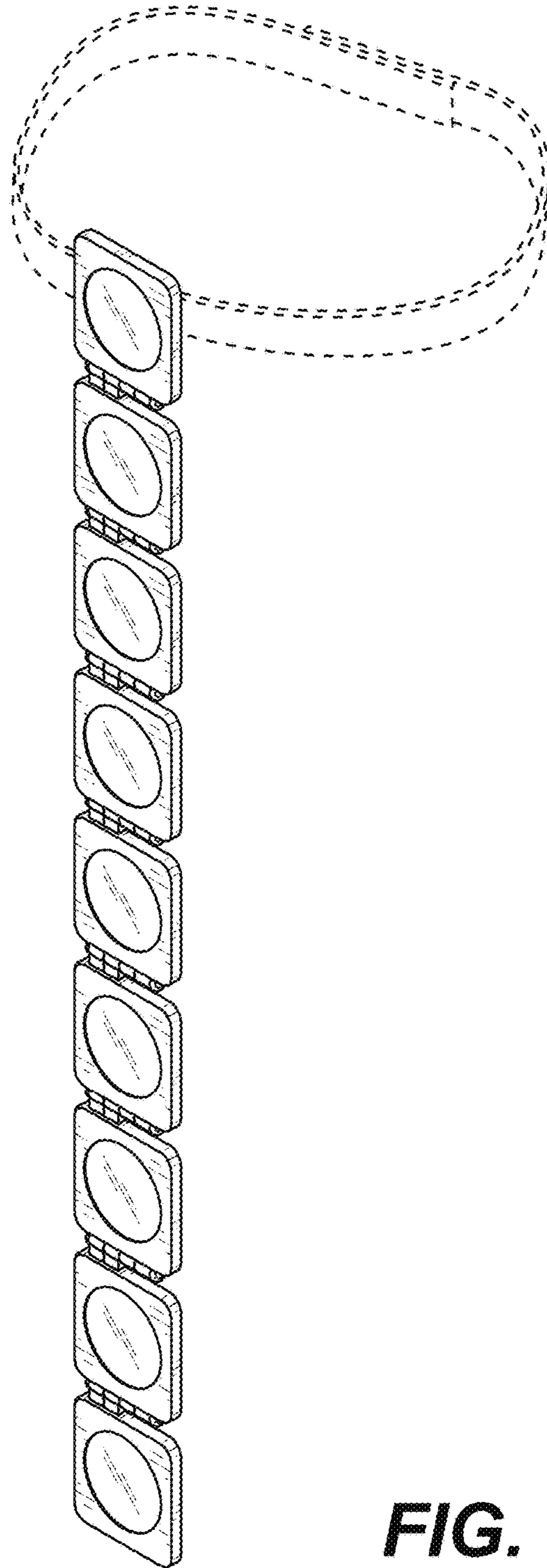


FIG. 7

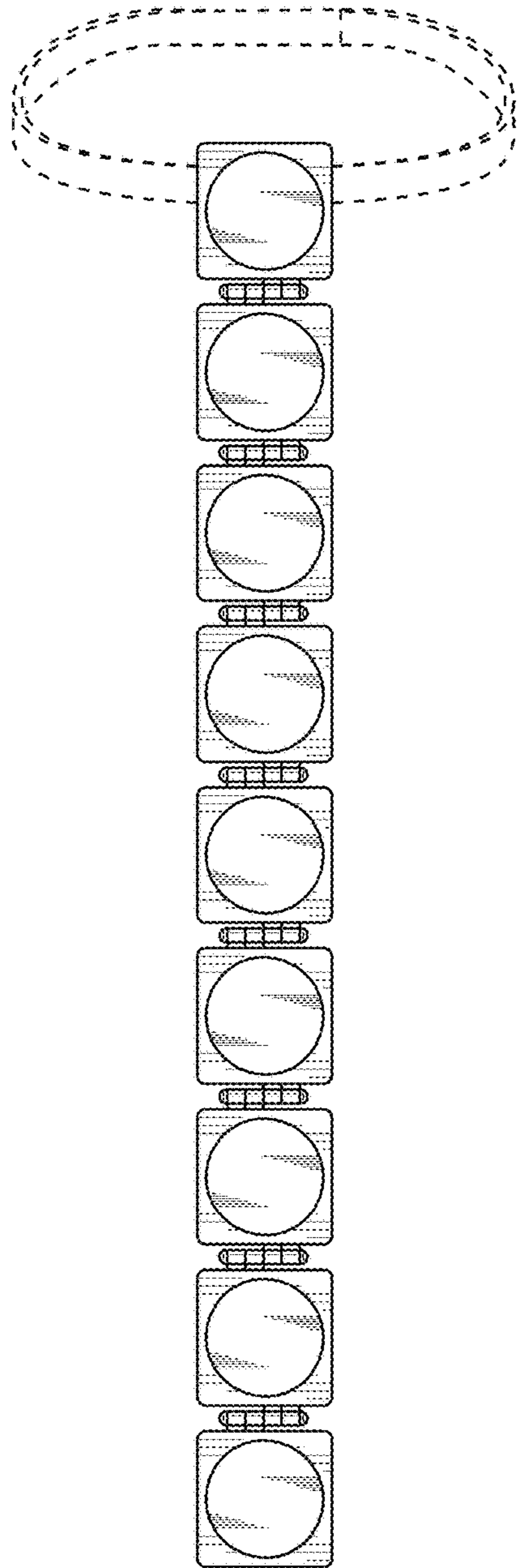


FIG. 8

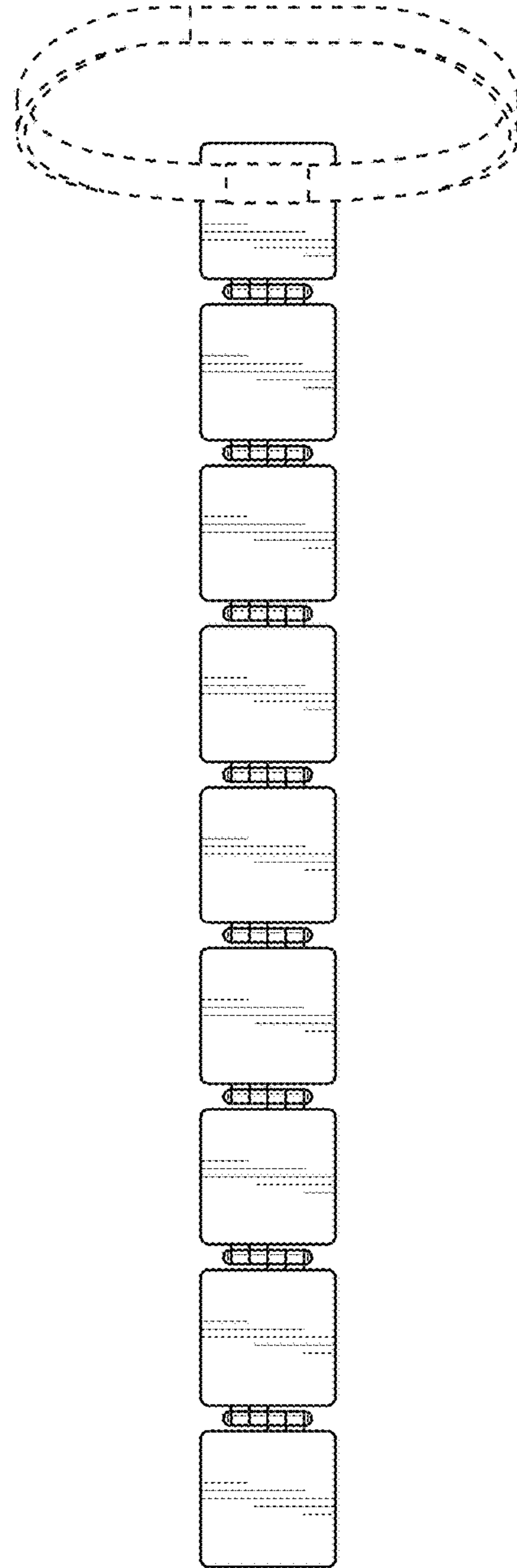


FIG. 9

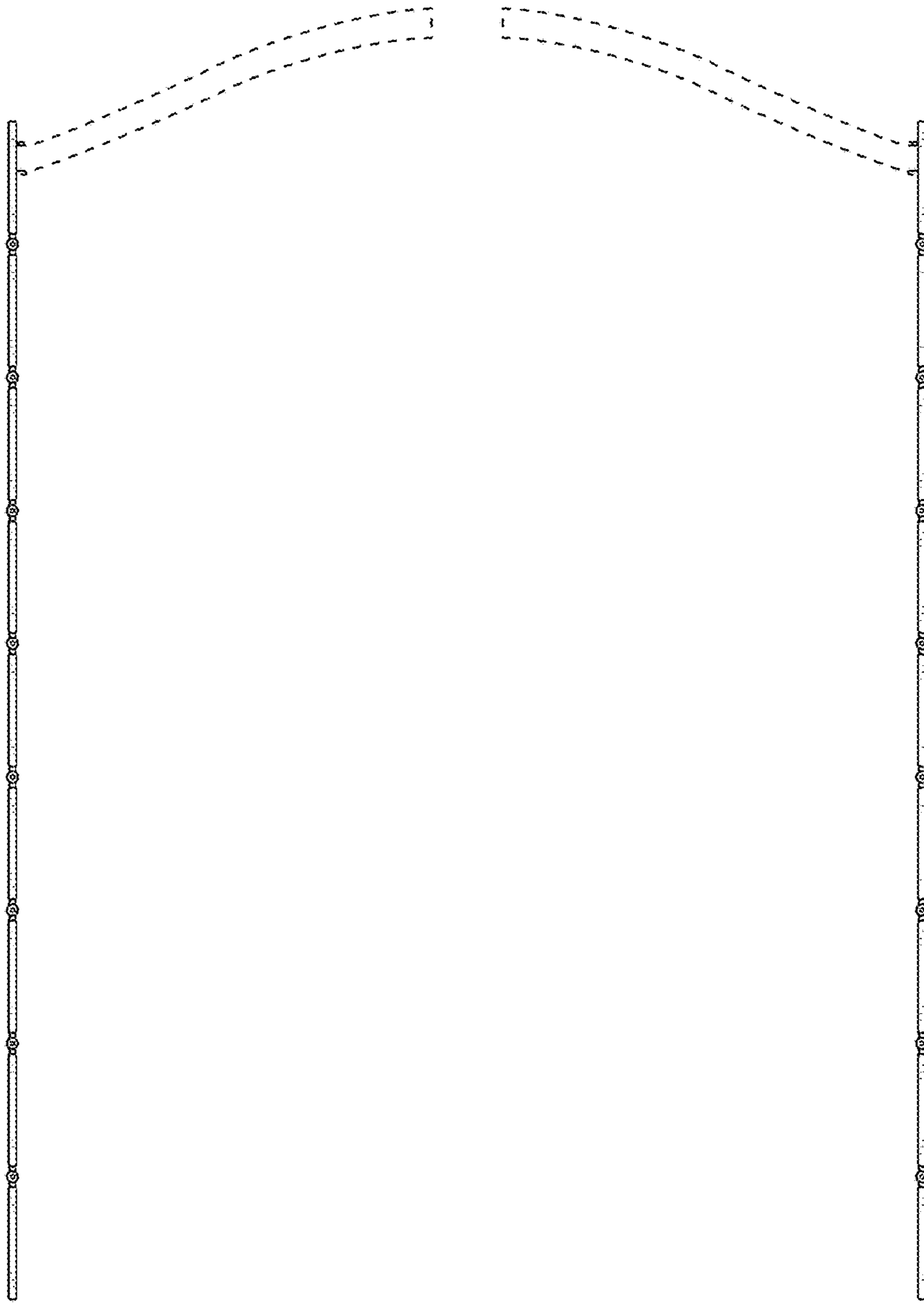


FIG. 10

FIG. 11

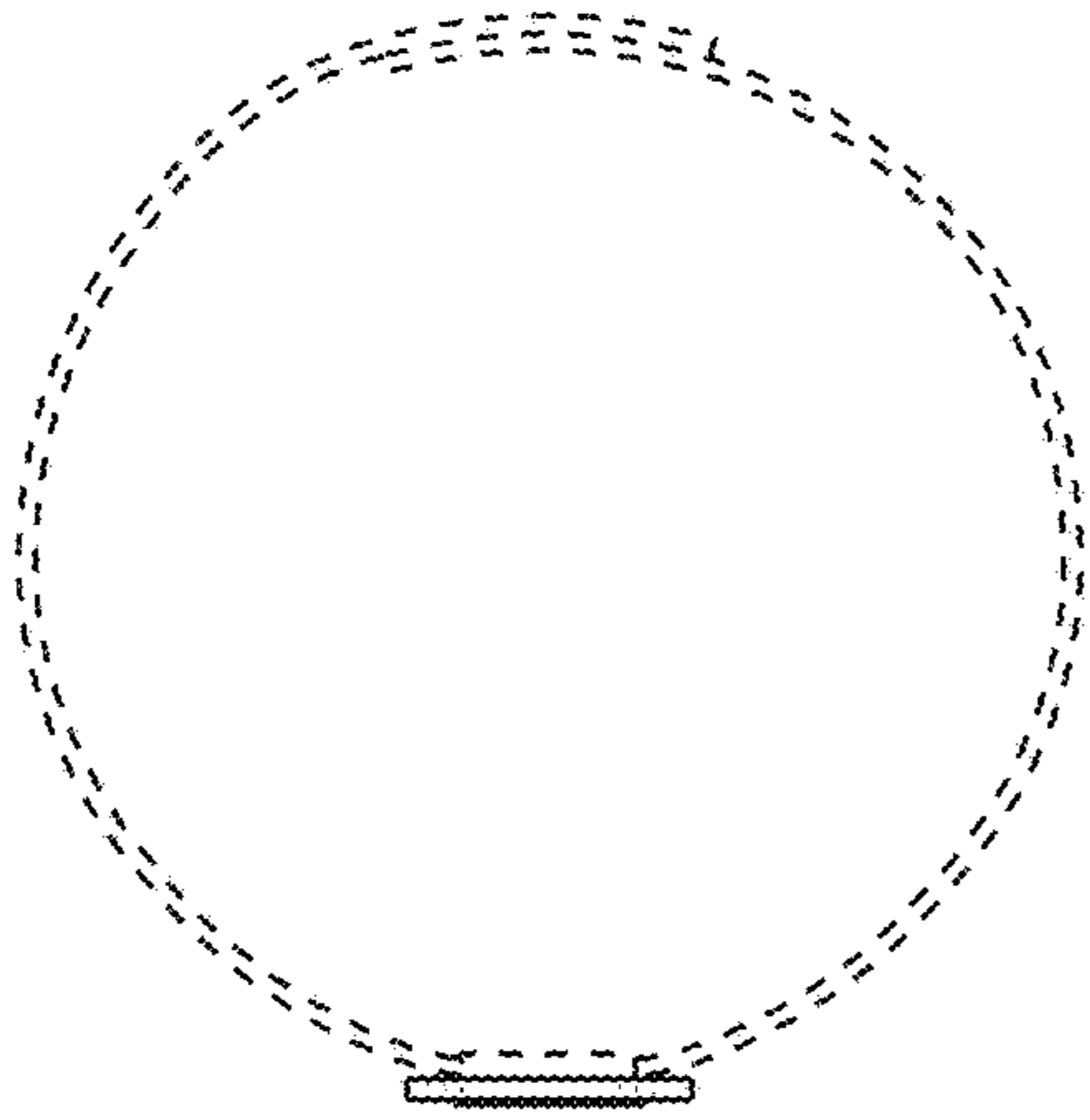


FIG. 12

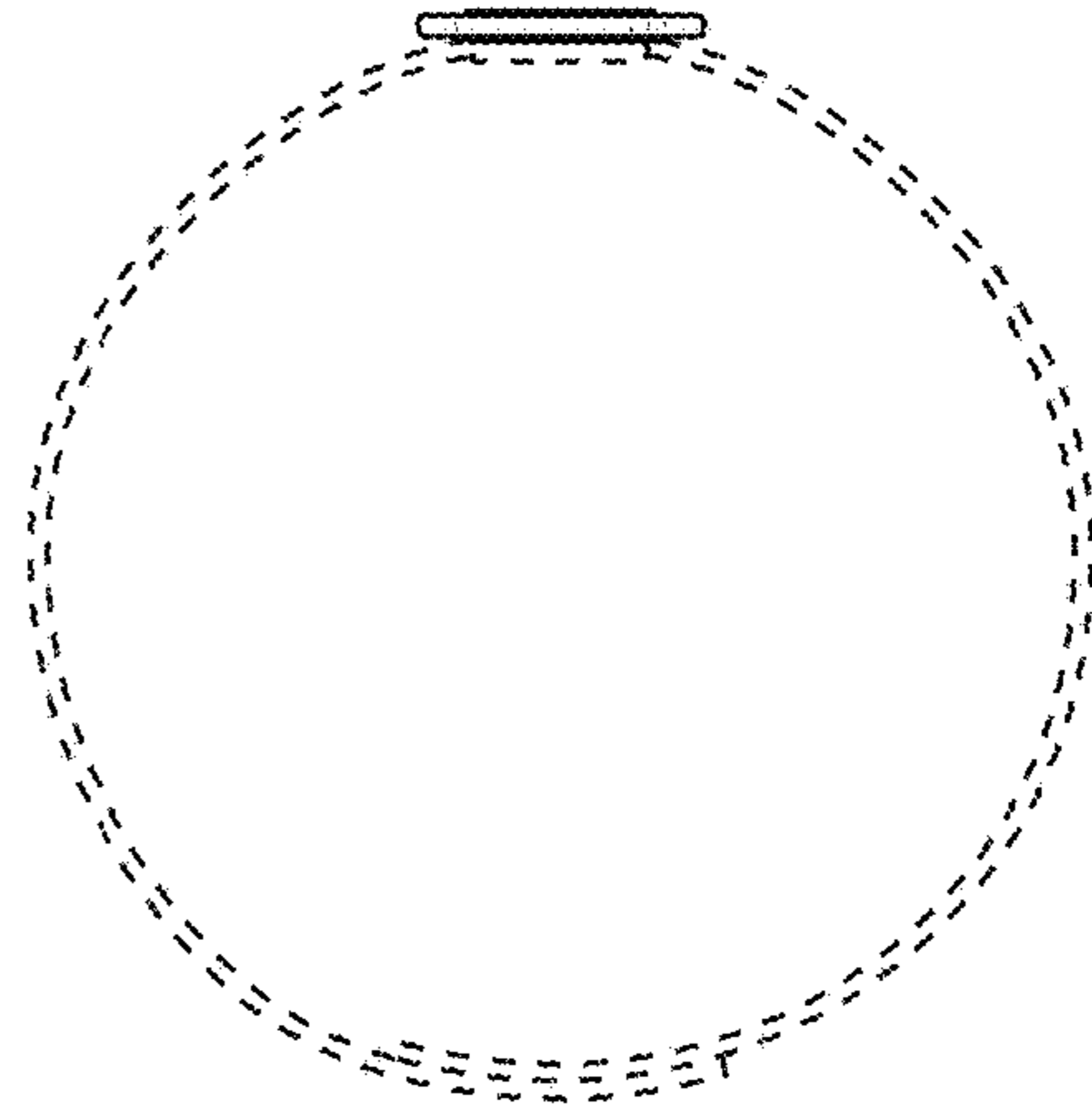


FIG. 13

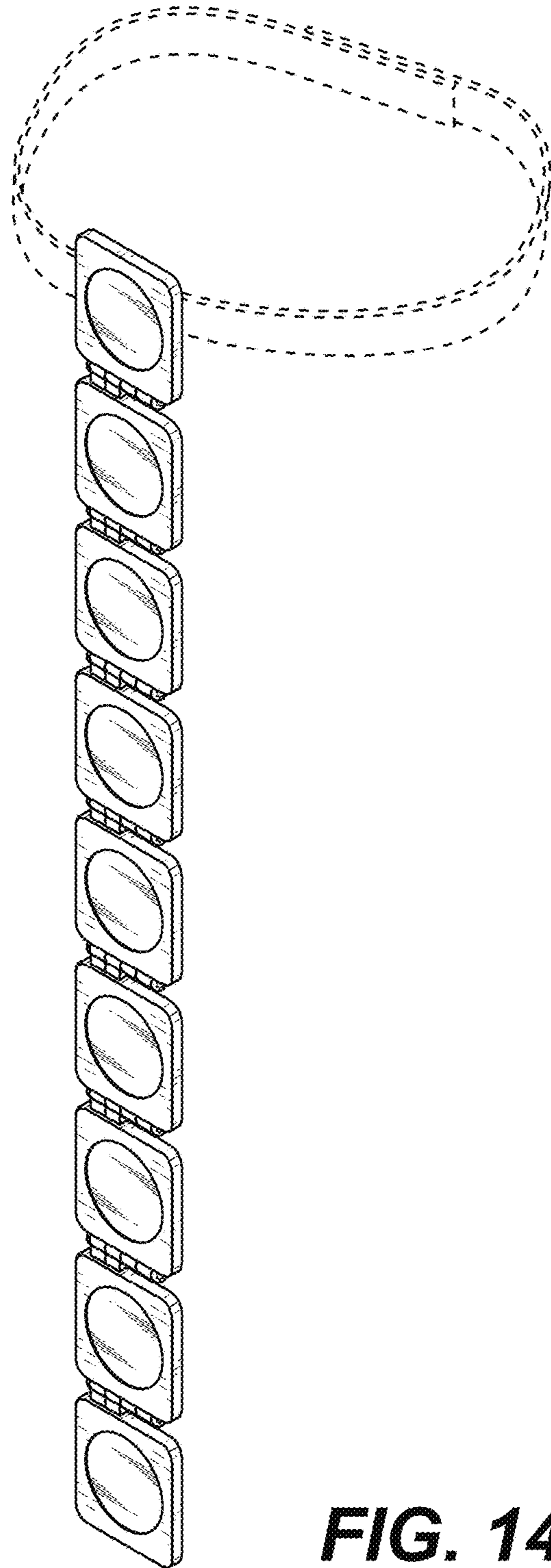


FIG. 14

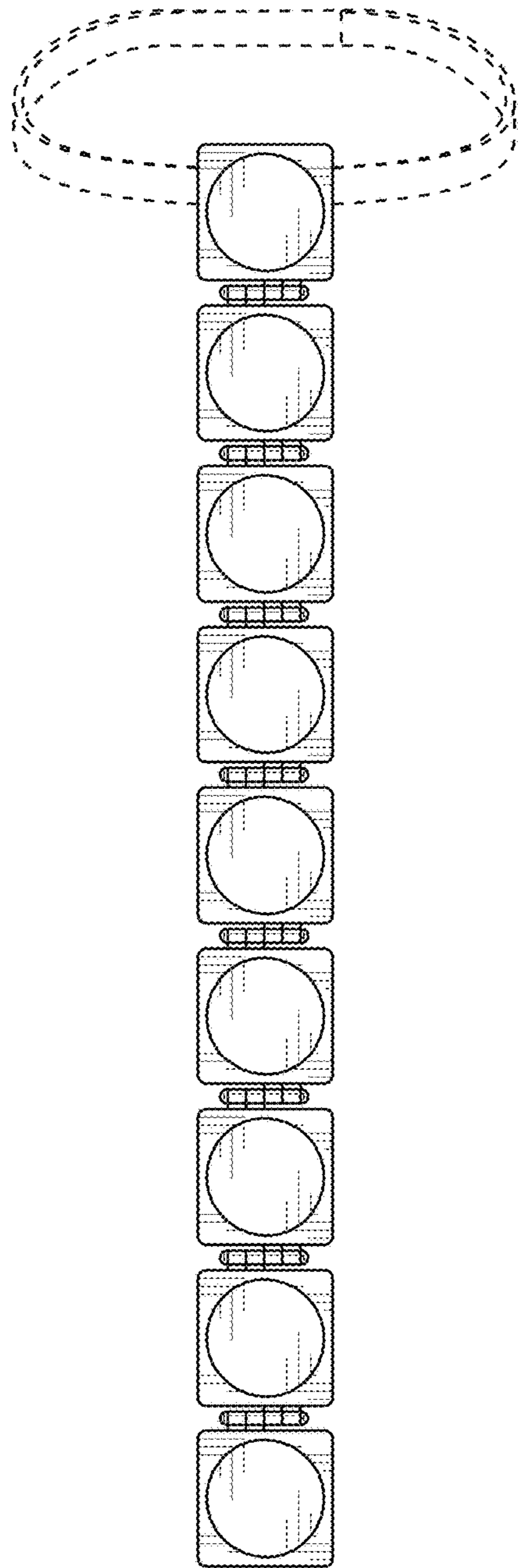


FIG. 15

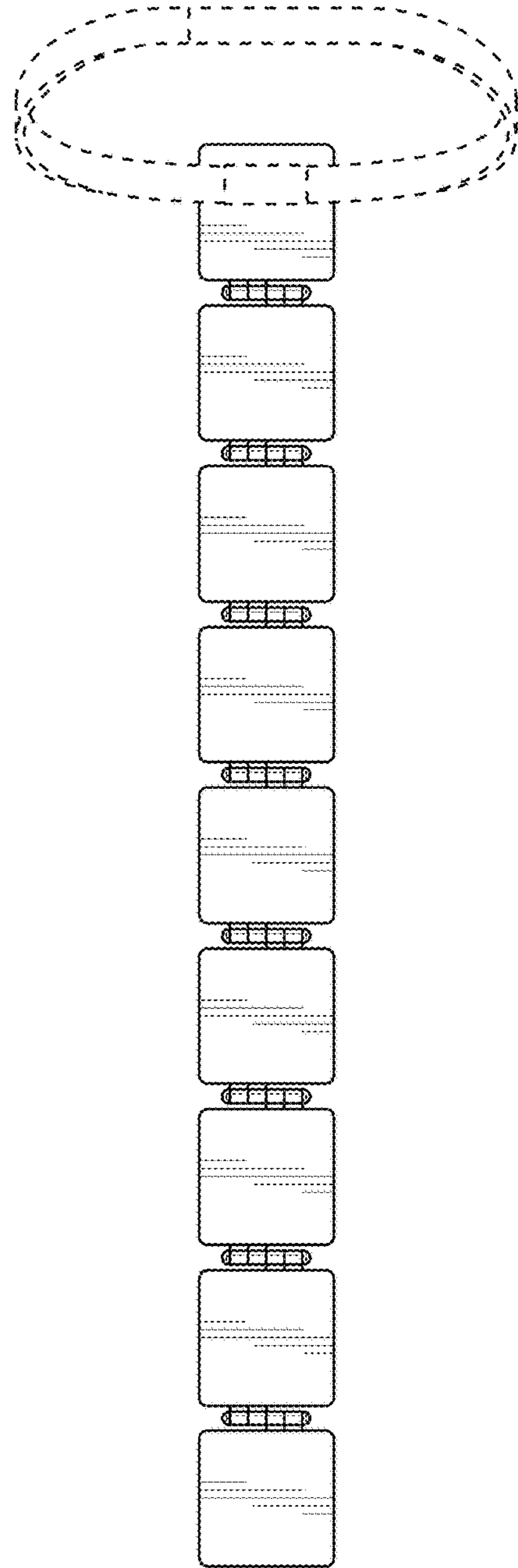


FIG. 16

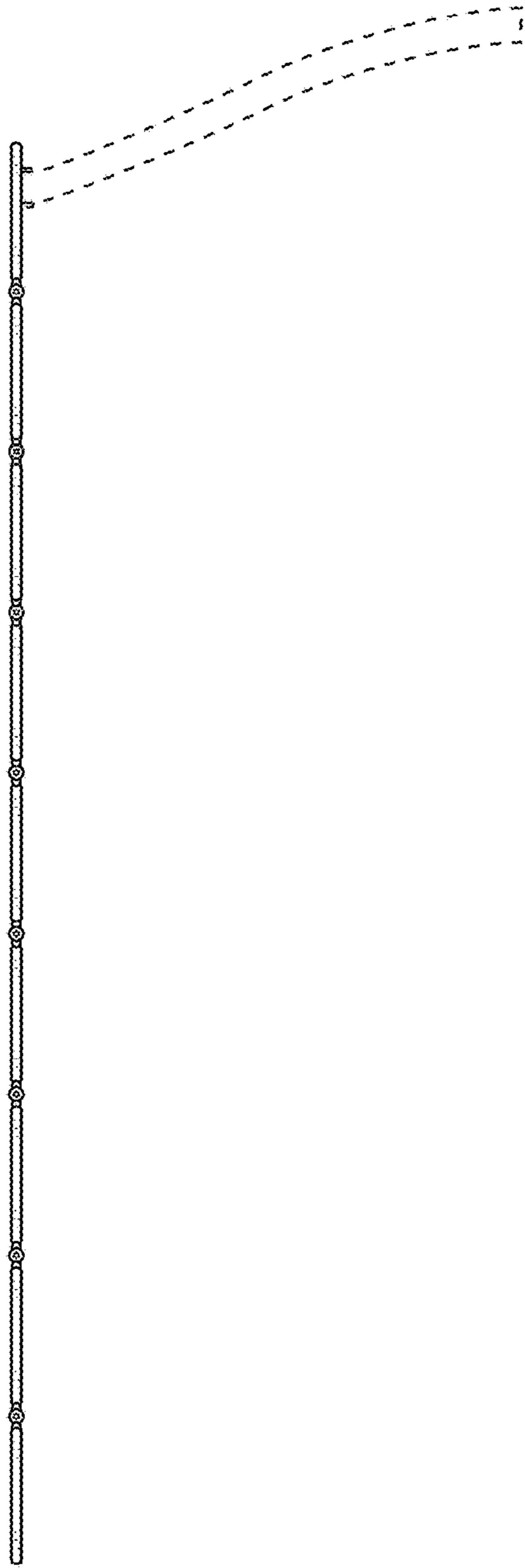


FIG. 17

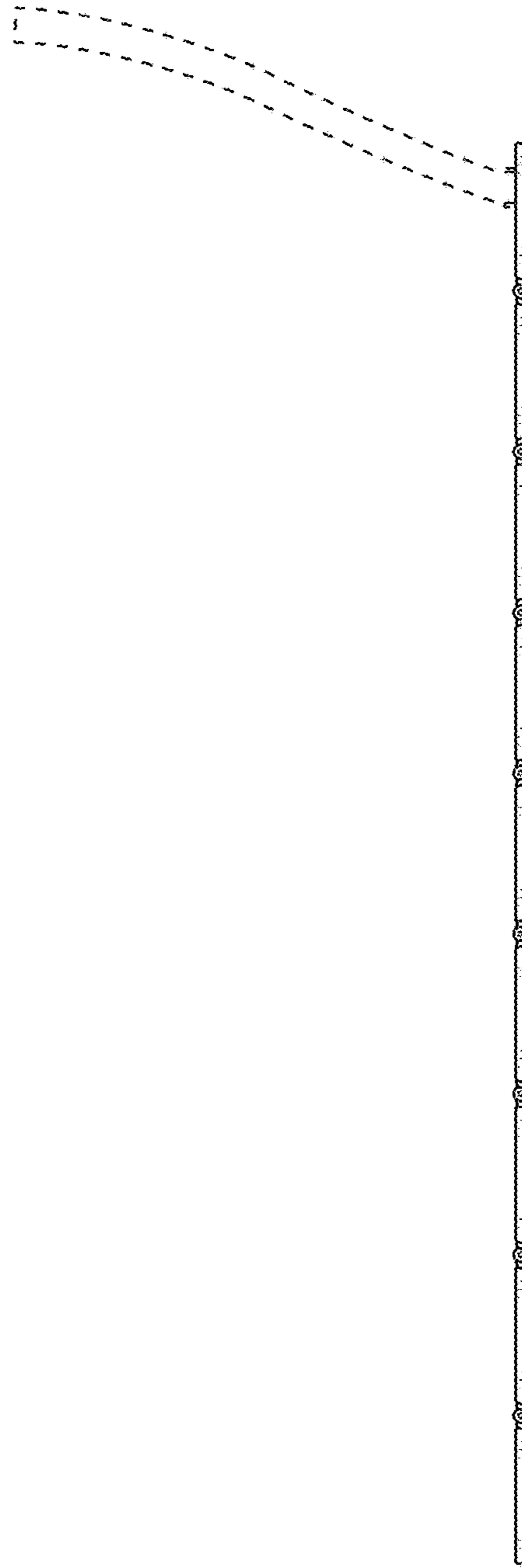


FIG. 18

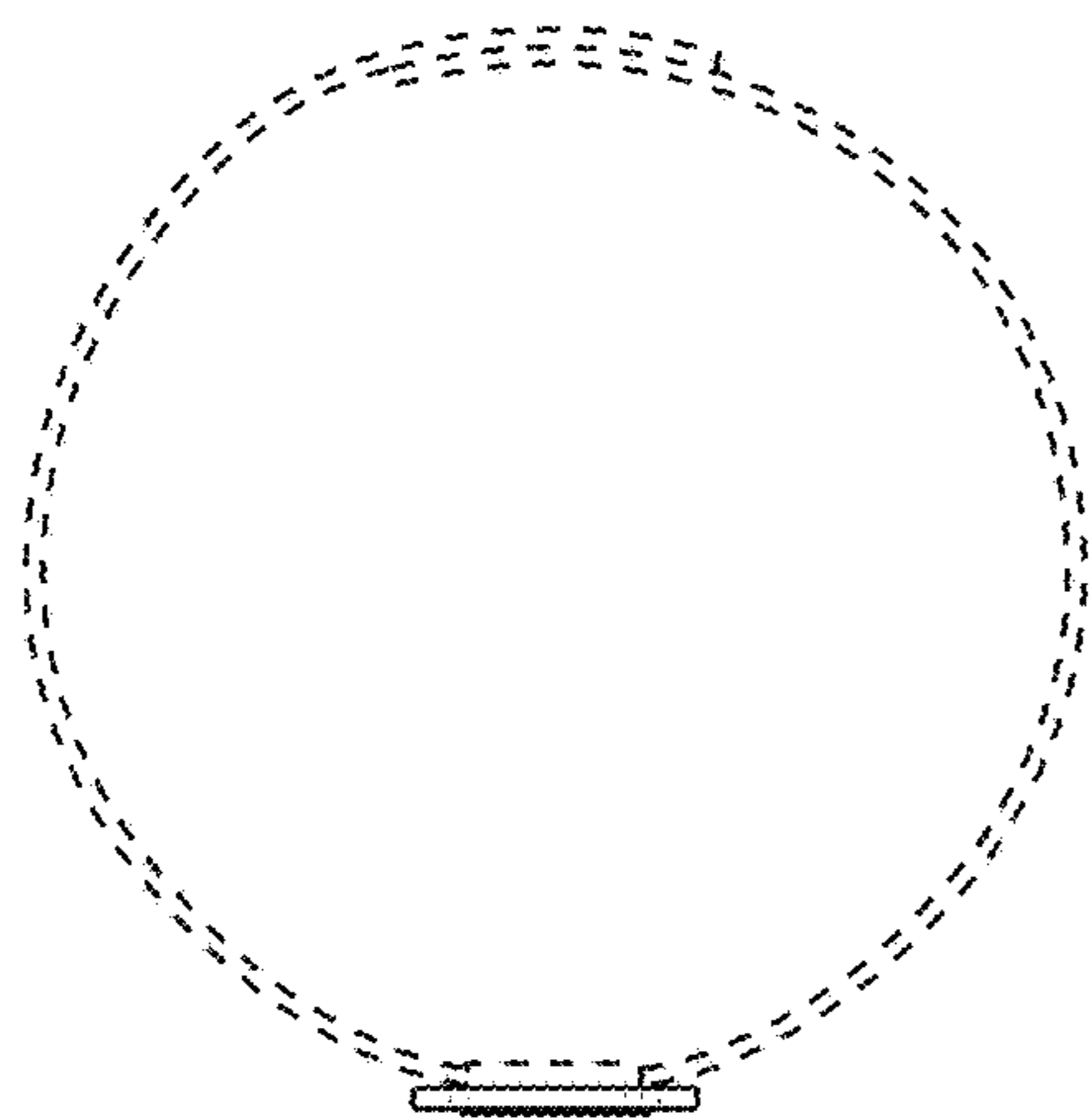


FIG. 19

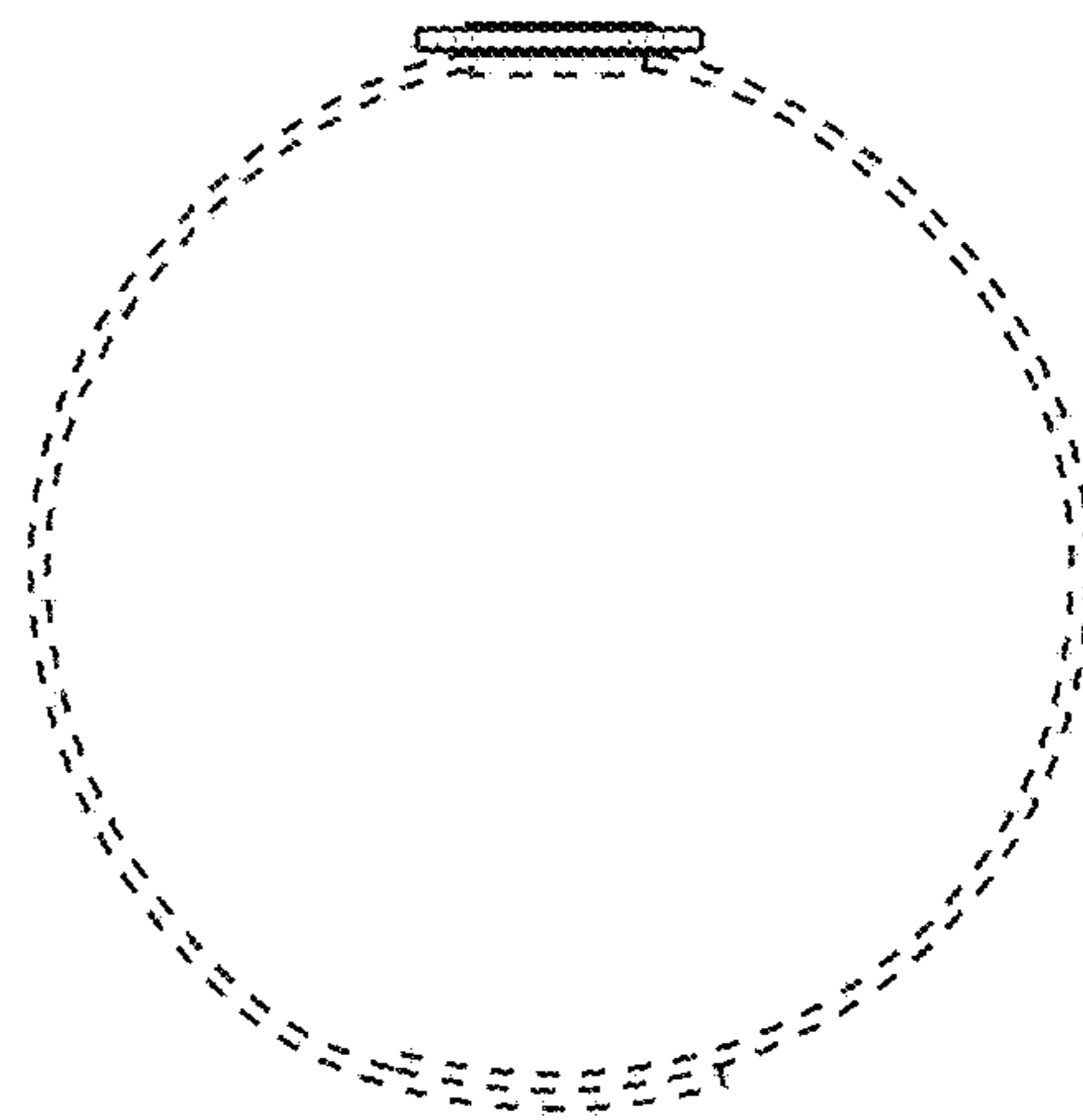


FIG. 20

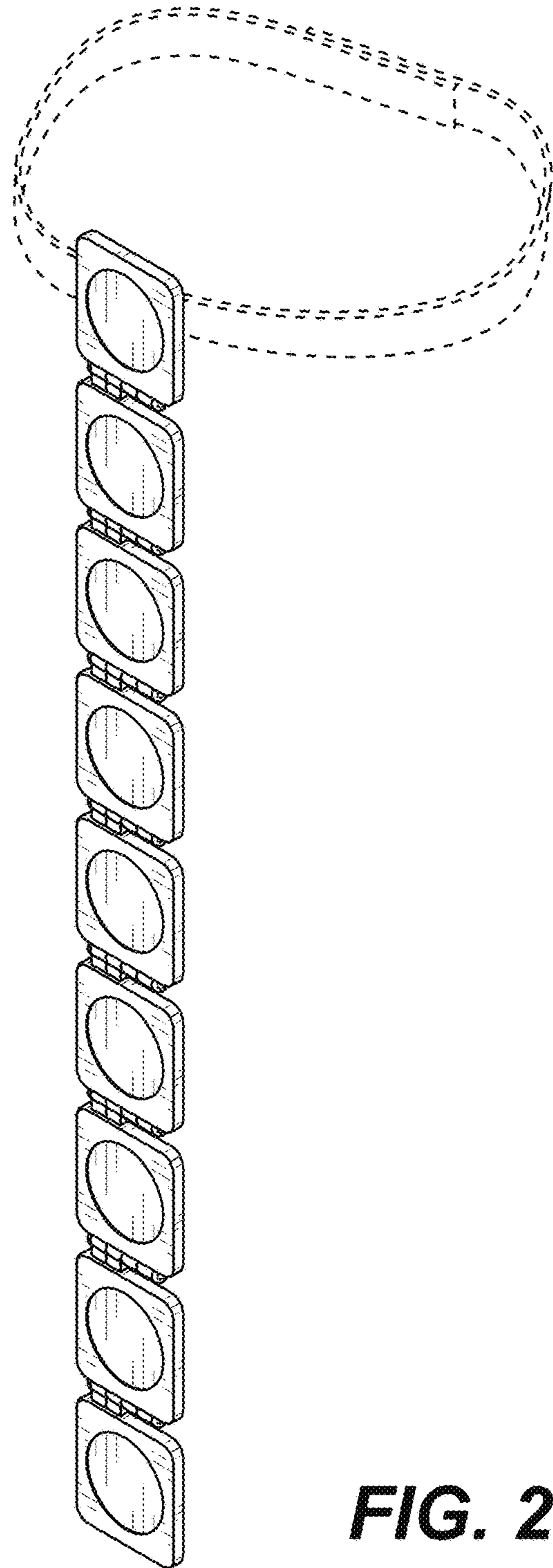


FIG. 21