

US00D856840S

(12) **United States Design Patent** (10) **Patent No.:** **US D856,840 S**  
**Pandolfino** (45) **Date of Patent:** **\*\* Aug. 20, 2019**

- (54) **NECKWEAR TO HOUSE AND DISPLAY COINS AND ROUNDS**
- (71) Applicant: **PATUGA LLC**, Clarence, NY (US)
- (72) Inventor: **Joseph Pandolfino**, Clarence, NY (US)
- (73) Assignee: **PATUGA LLC**, Clarence, NY (US)
- (\*\*) Term: **15 Years**
- (21) Appl. No.: **29/667,399**
- (22) Filed: **Oct. 22, 2018**

**Related U.S. Application Data**

- (62) Division of application No. 29/653,639, filed on Jun. 18, 2018, now Pat. No. Des. 834,991, which is a (Continued)
- (51) **LOC (12) Cl.** ..... **11-01**
- (52) **U.S. Cl.**  
USPC ..... **D11/79; D2/605**
- (58) **Field of Classification Search**  
USPC ..... D2/600, 601, 602, 603, 604, 605, 606, D2/607, 608, 609, 627, 633, 637;  
(Continued)

(56) **References Cited**

**U.S. PATENT DOCUMENTS**

- 67,566 A 8/1867 Myers
  - 112,303 A 2/1871 Wattles
- (Continued)

**FOREIGN PATENT DOCUMENTS**

- AT 389630 B 1/1990
  - CN 2888922 Y 4/2007
- (Continued)

**OTHER PUBLICATIONS**

Engineering Corner, <https://www.shapeways.com/product/MUT37CQWA/articulated-necktie-clips-on-to-your-top-button>; author and publication date unknown.

(Continued)

*Primary Examiner* — Karen S Acker  
*Assistant Examiner* — Jasmine Mlinarcik

(74) *Attorney, Agent, or Firm* — Sughrue Mion, PLLC

(57) **CLAIM**

The ornamental design for a neckwear to house and display coins and rounds, as shown and described.

**DESCRIPTION**

FIG. 1 is a front view of a first embodiment of a neckwear to house and display coins and rounds showing my new design;

FIG. 2 is a rear view thereof;

FIG. 3 is a right side view thereof;

FIG. 4 is a left side view thereof;

FIG. 5 is a top view thereof;

FIG. 6 is a bottom view thereof;

FIG. 7 is a front perspective view thereof;

FIG. 8 is a front view of a second embodiment of the neckwear to house and display coins and rounds showing my new design;

FIG. 9 is a rear view thereof;

FIG. 10 is a right side view thereof;

FIG. 11 is a left side view thereof;

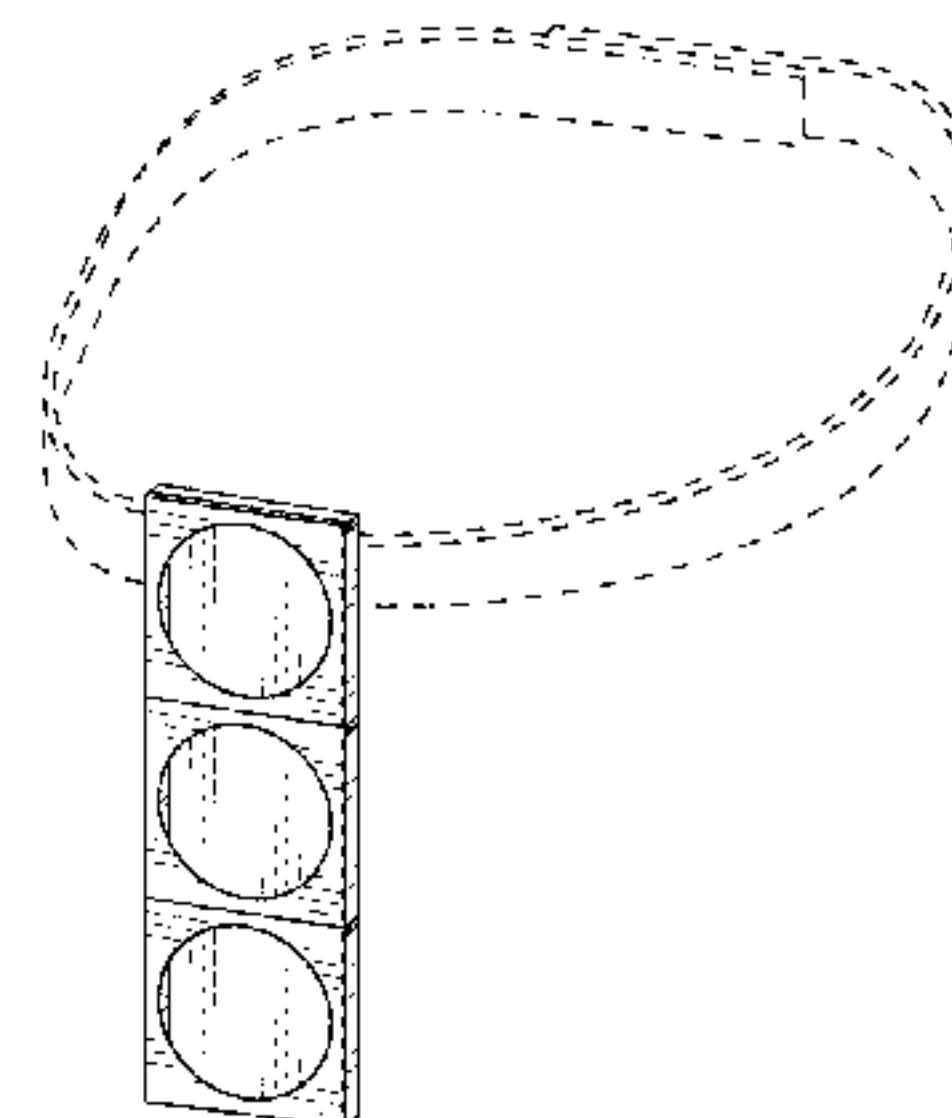
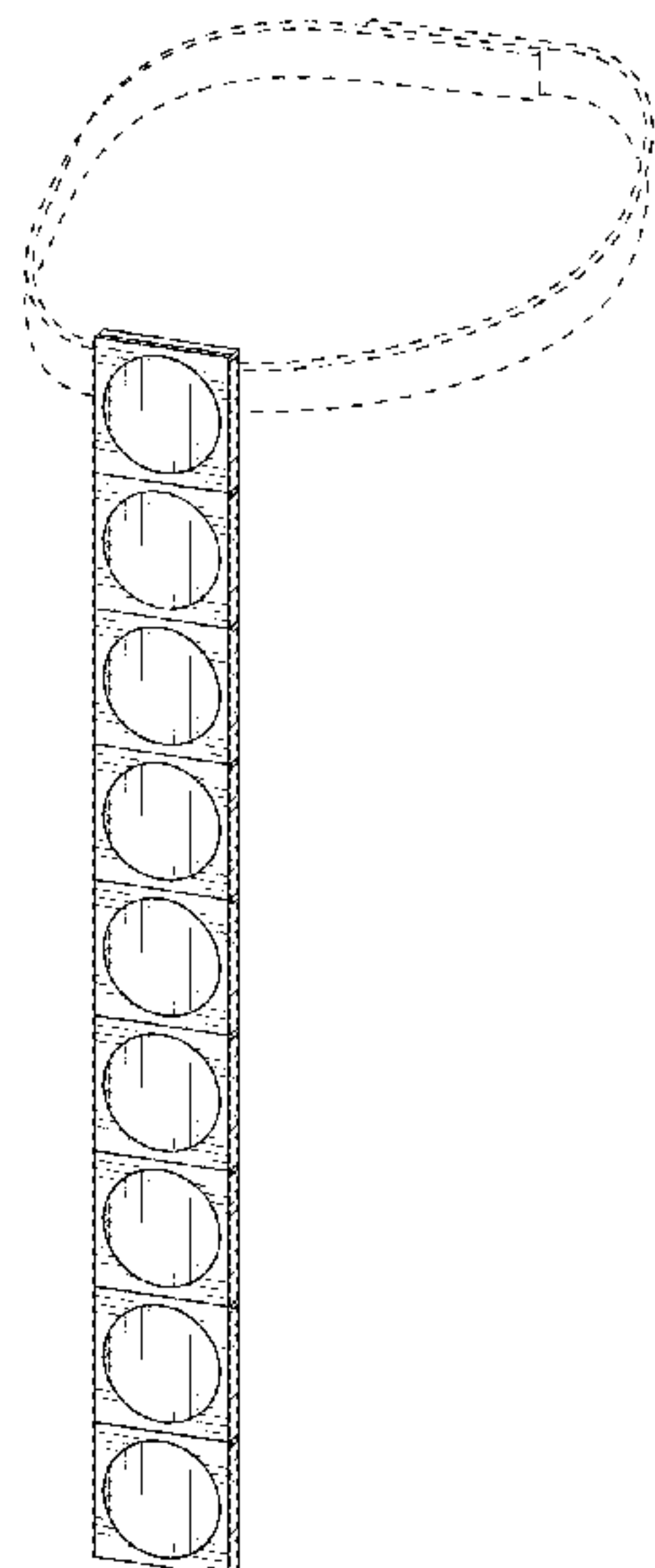
FIG. 12 is a top view thereof;

FIG. 13 is a bottom view thereof; and,

FIG. 14 is a front perspective view thereof.

The broken lines depict portions of the neckwear that form no part of the claimed design.

**1 Claim, 8 Drawing Sheets**



**Related U.S. Application Data**

division of application No. 29/631,359, filed on Dec. 29, 2017, now Pat. No. Des. 825,373.

(58) **Field of Classification Search**

USPC ..... D3/207; D6/300; D8/323, 325, 327, D8/328; D11/1, 2, 3, 7, 8, 12, 19, 79  
 CPC ..... A41D 23/00; A41D 25/00; A41D 25/003; A41D 25/005; A41D 25/006; A41D 25/008; A41D 25/02; A41D 25/06  
 See application file for complete search history.

(56) **References Cited**

U.S. PATENT DOCUMENTS

178,449	A	6/1876	Lindemann	
276,191	A	4/1883	Medum et al.	
318,754	A	5/1885	Latulip	
320,499	A	6/1885	Prowse	
340,005	A	4/1886	Quimby	
398,435	A	2/1889	Noortwyck	
480,533	A	8/1892	Walker	
615,447	A	12/1898	Greutman	
663,916	A	12/1900	Markwell et al.	
668,429	A	2/1901	York	
712,297	A	10/1902	Gorman	
734,685	A	7/1903	Elwell	
748,370	A	12/1903	Harris	
775,777	A	11/1904	Naret et al.	
817,592	A	4/1906	Shiess	
D55,788	S	7/1920	Griffin	
2,129,491	A	9/1938	Chilson	
2,176,253	A	10/1939	Fogarty	
D121,456	S *	7/1940	Masters	D2/633
2,378,755	A *	6/1945	Dowling	A44C 5/00 29/433
3,127,302	A	3/1964	Bunting	
3,173,541	A *	3/1965	Cummings	B65D 73/0085 206/278
D249,339	S	9/1978	Coulthurst	
D266,555	S	10/1982	McNally	
4,447,913	A	5/1984	Engelson	
D276,191	S *	11/1984	Engelson	D2/633

4,546,494	A	10/1985	Garber	
4,617,685	A	10/1986	Grandis	
4,627,113	A	12/1986	Lord	
D301,520	S *	6/1989	Campbell	D2/608
5,036,550	A	8/1991	Wilsey	
5,238,528	A	8/1993	Heinrich	
D382,088	S *	8/1997	Harp	D11/17
5,673,434	A	10/1997	Risk	
D436,693	S	1/2001	Thorpe et al.	
D556,390	S	11/2007	Greenburgh et al.	
D668,429	S *	10/2012	Ross	D2/606
D681,496	S *	5/2013	Goerges	D11/26
D712,298	S	9/2014	Taylor-Cattapan	
D817,592	S *	5/2018	Pandolfino	D2/605
D824,795	S *	8/2018	Pandolfino	D11/79
D825,373	S *	8/2018	Pandolfino	D11/79
D834,991	S *	12/2018	Pandolfino	D11/79
10,149,505	B2 *	12/2018	Pandolfino	A41D 25/005

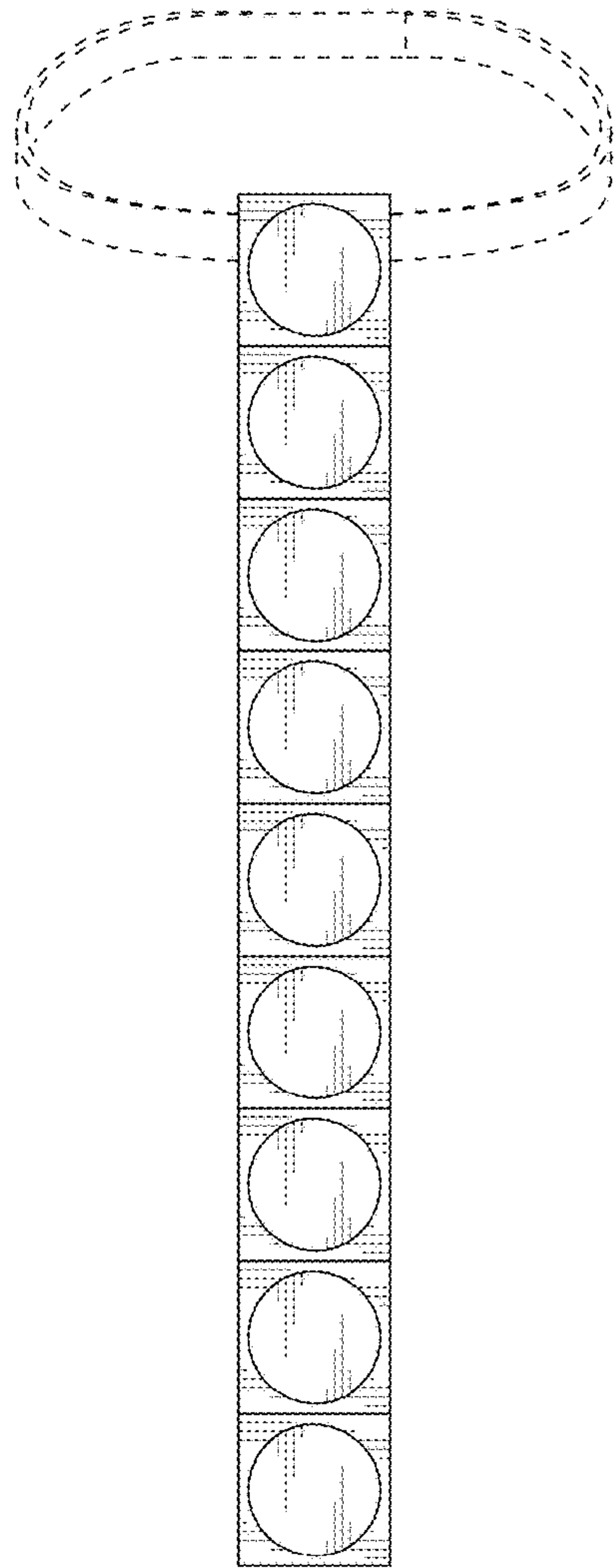
FOREIGN PATENT DOCUMENTS

JP	2010-248641	A	11/2010
WO	88/06414	A1	9/1988

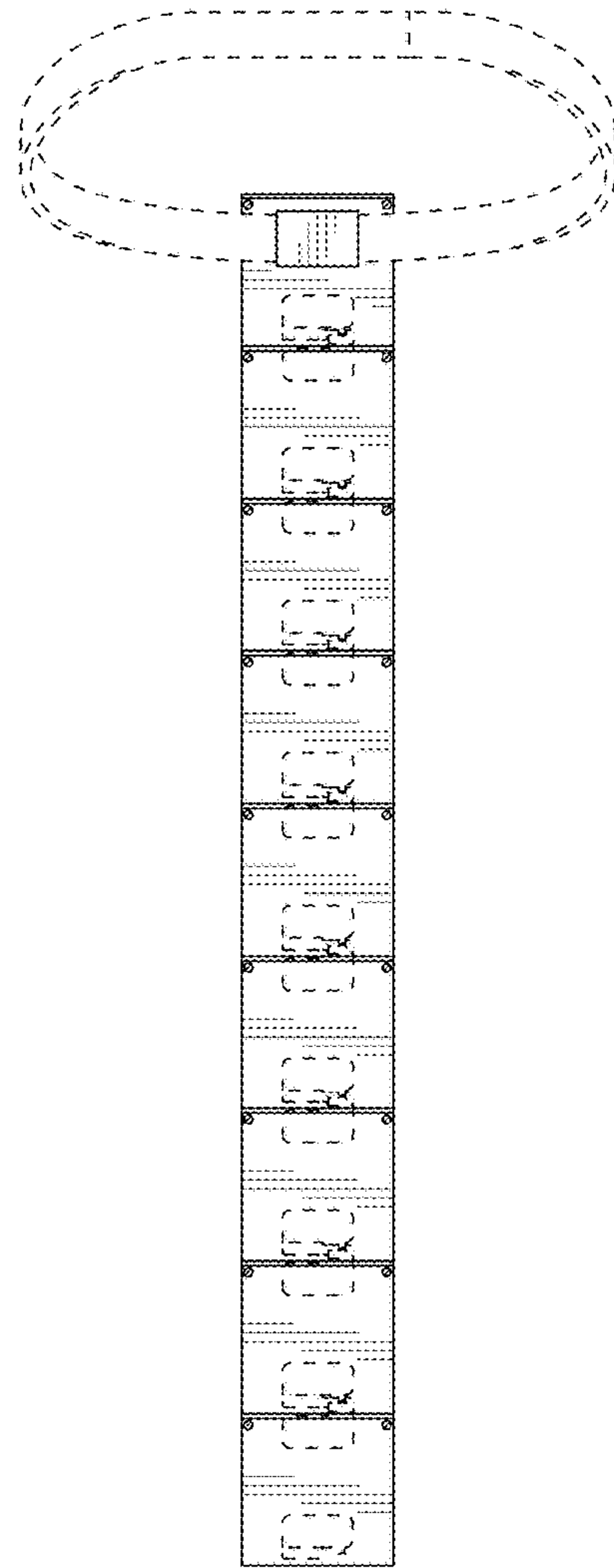
OTHER PUBLICATIONS

Hatfeathers Vintage, <http://www.hatfeathersvintage.com/shop/vintage-80s-red-black-big-polka-dot-tie-necktie>.  
<http://woodknot.com/>; author and publication date unknown.  
<http://www.jebiga.com/cams-wooden-ties-new-take-fashion/>; author and publication date unknown.  
<https://www.vat19.com/item/wood-tie>; author and publication date unknown.  
 The fusionguy, <https://thefusionguy.wordpress.com/category/woodworking/>; author and publication date unknown.  
[http://www.ties-necktie.com/giant-polka-dot-skinny-tie-blue-p-21337.html?gclid=EAlalQobChMIppjt1aXT2AIVmY-zCh2CTABBEAQYASABEgINCPD\\_BwE](http://www.ties-necktie.com/giant-polka-dot-skinny-tie-blue-p-21337.html?gclid=EAlalQobChMIppjt1aXT2AIVmY-zCh2CTABBEAQYASABEgINCPD_BwE).  
 Ties.com, <https://www.ties.com/v/a/holidays-ornaments-shaped-black-tie>.  
 Ties.com, <https://www.ties.com/wild-ties-black-the-8-planets-skinny-tie>.

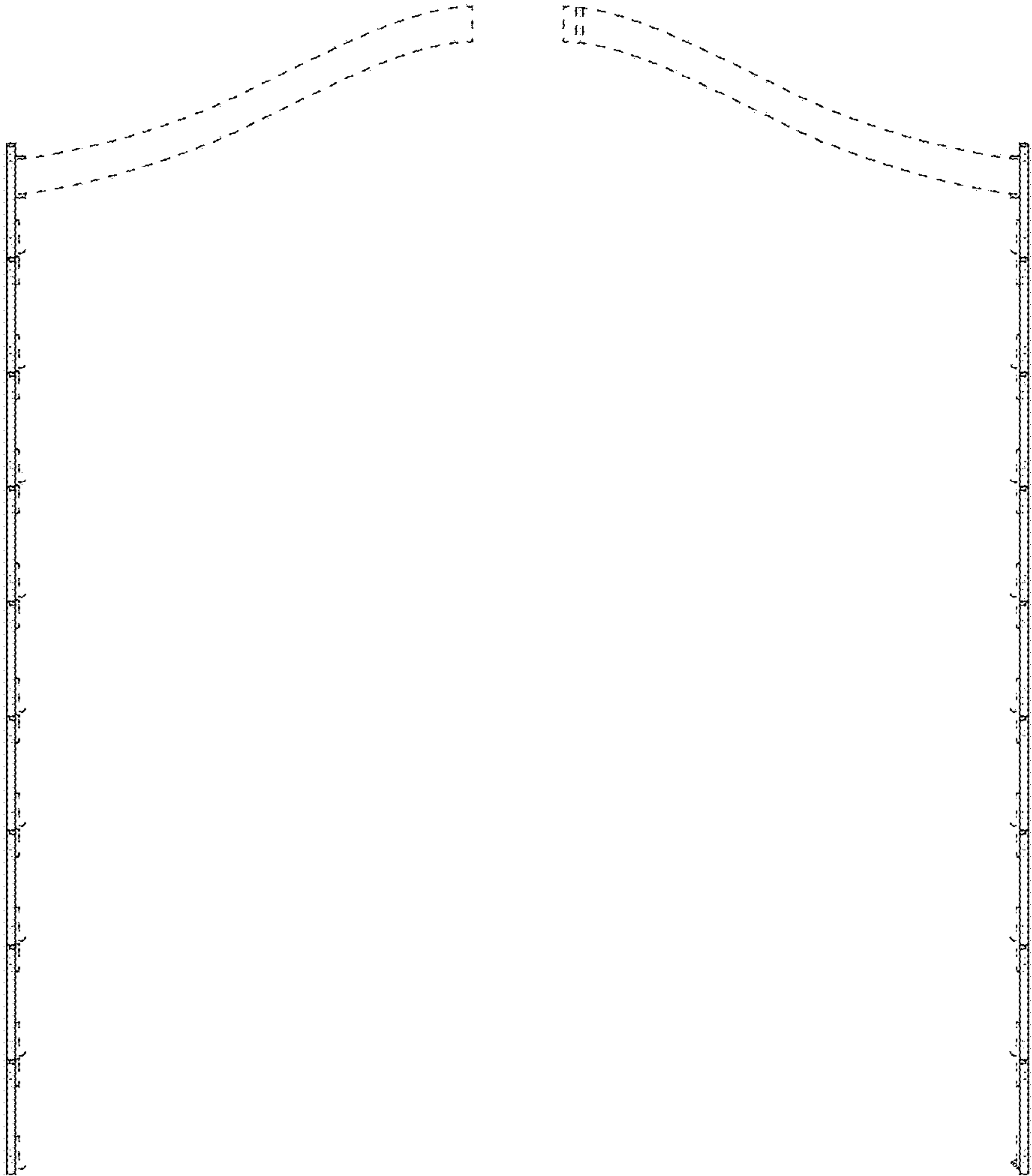
\* cited by examiner



**FIG. 1**

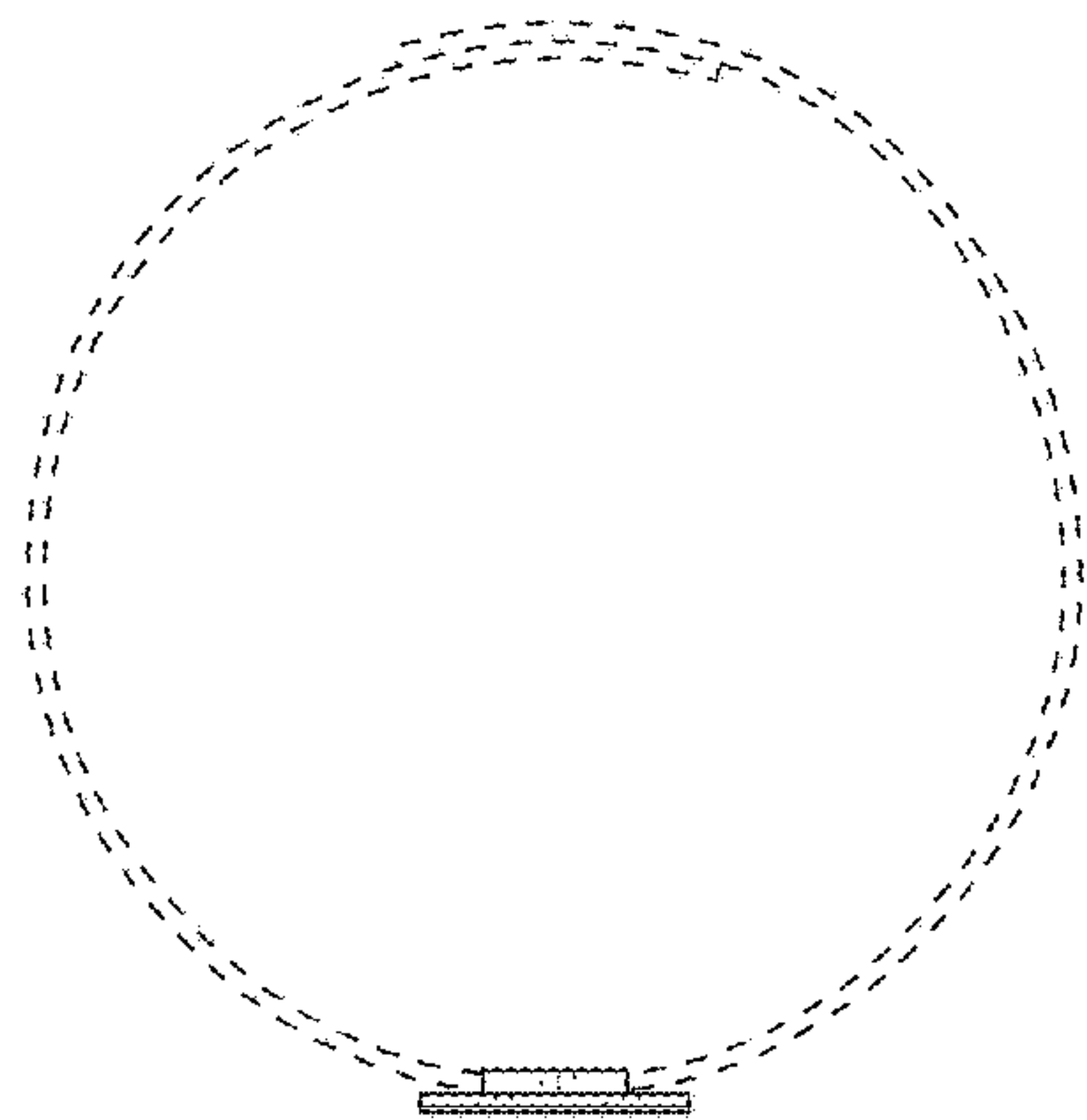


**FIG. 2**

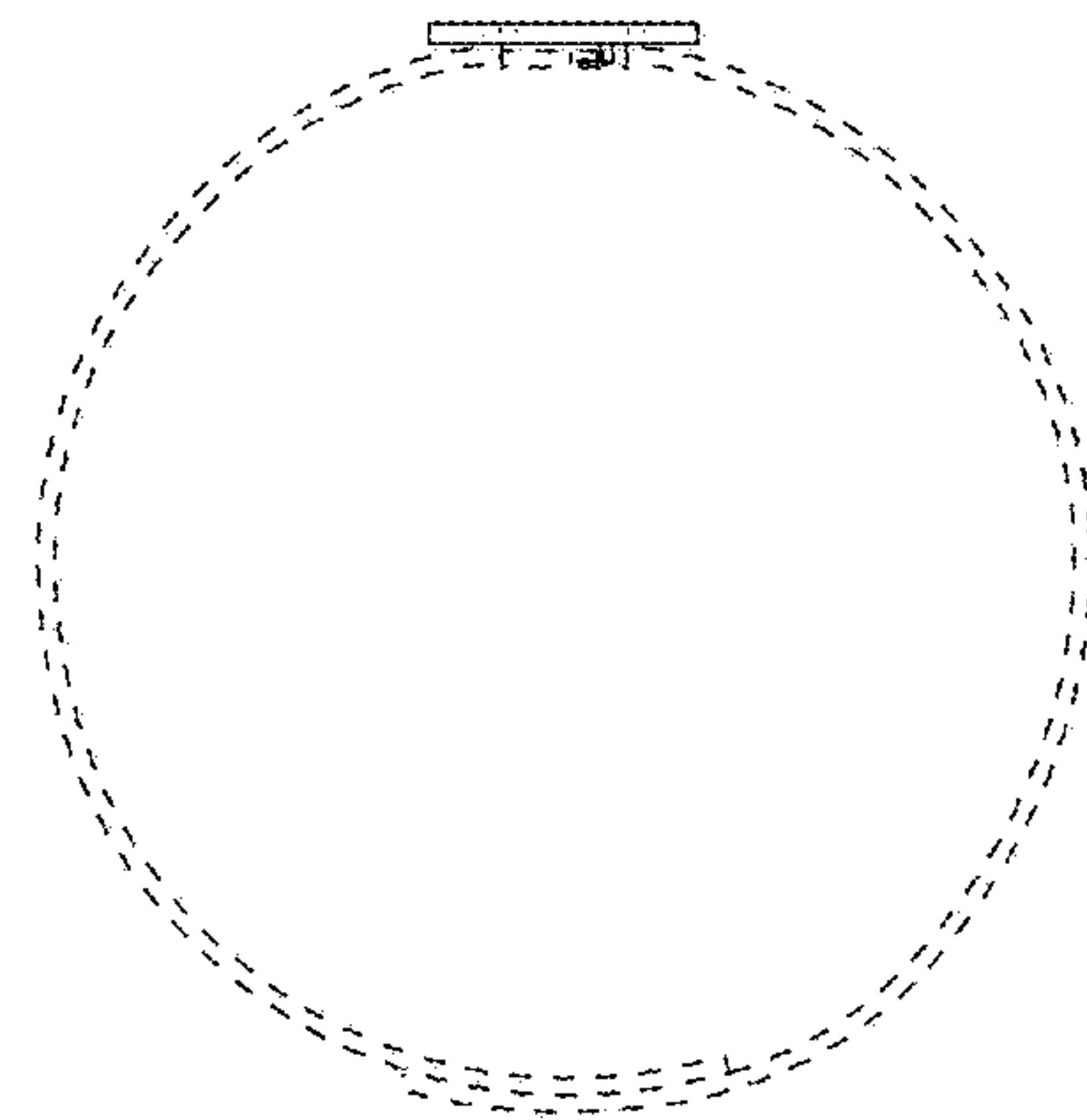


**FIG. 3**

**FIG. 4**

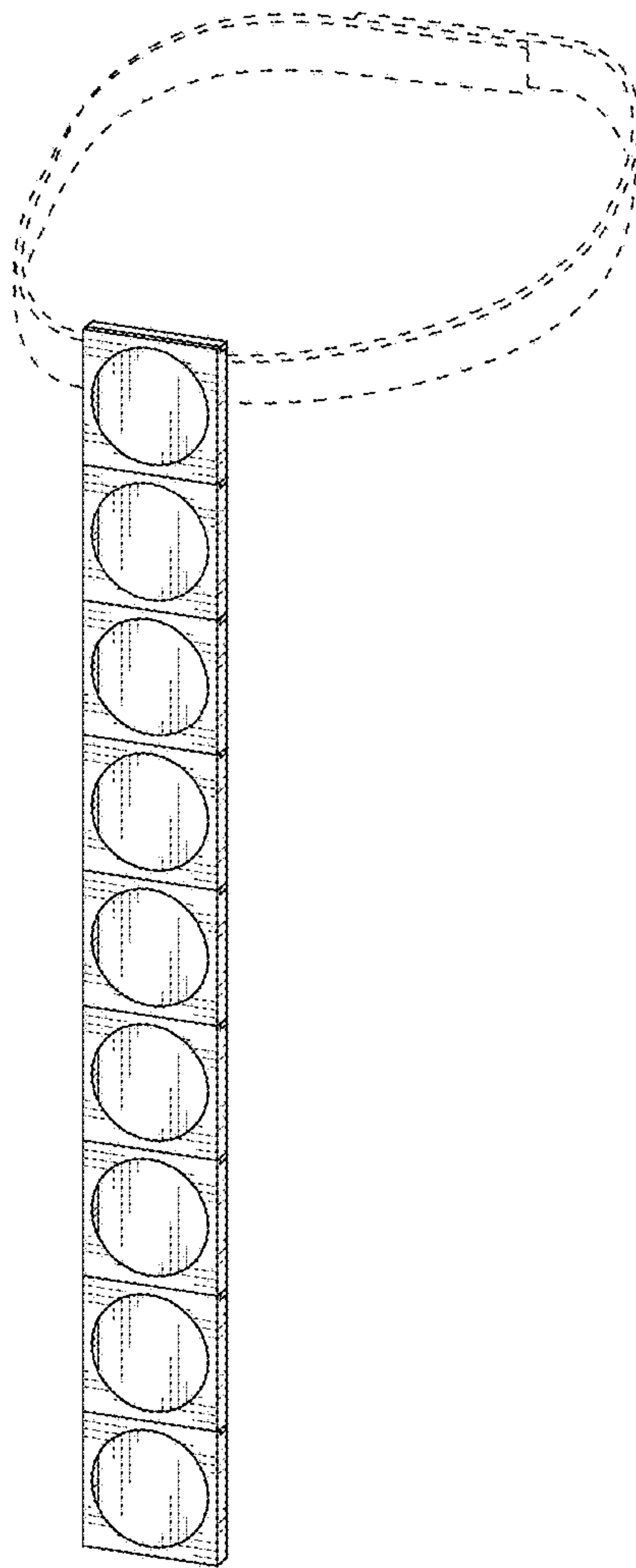


**FIG. 5**

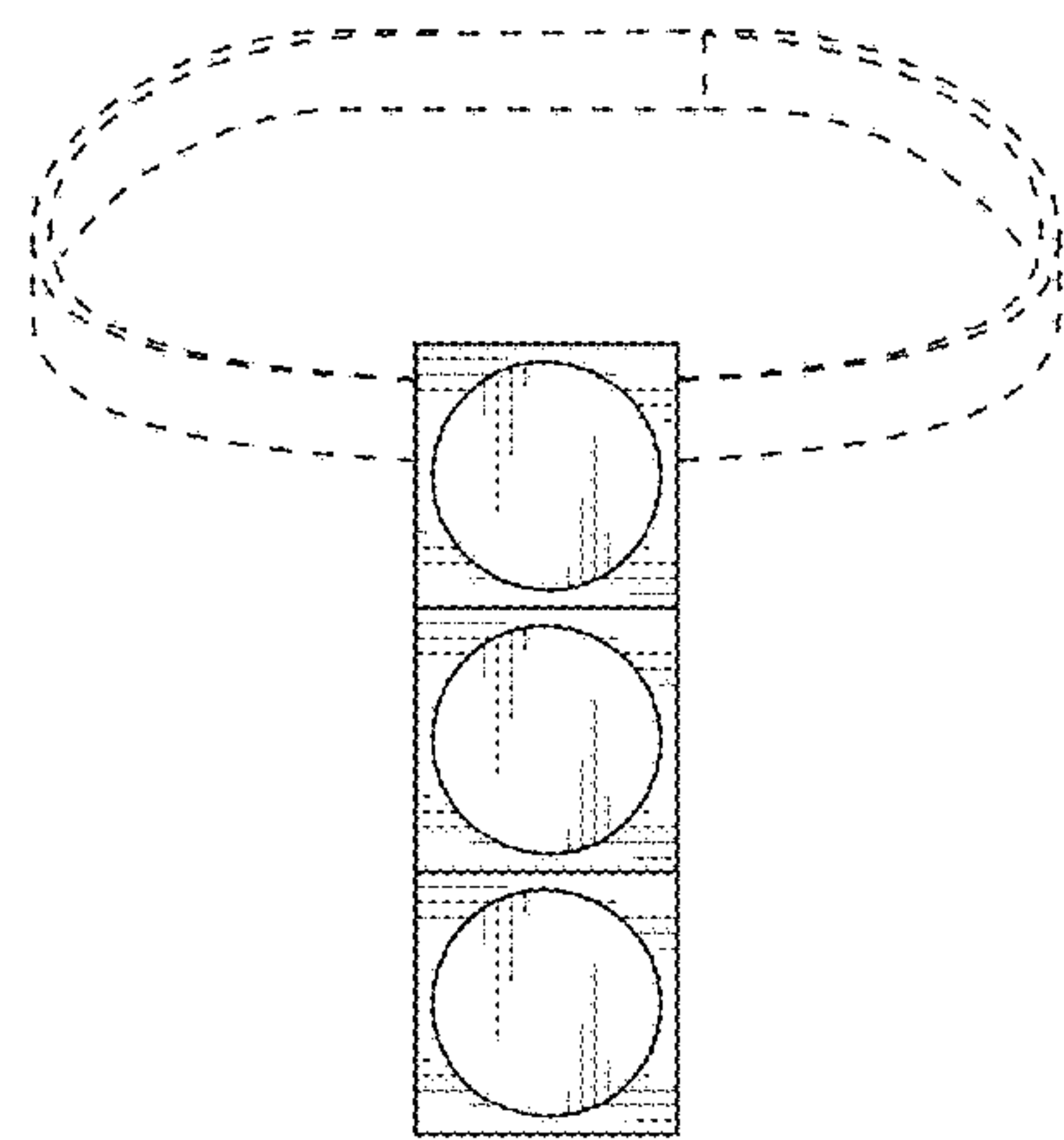


**FIG. 6**

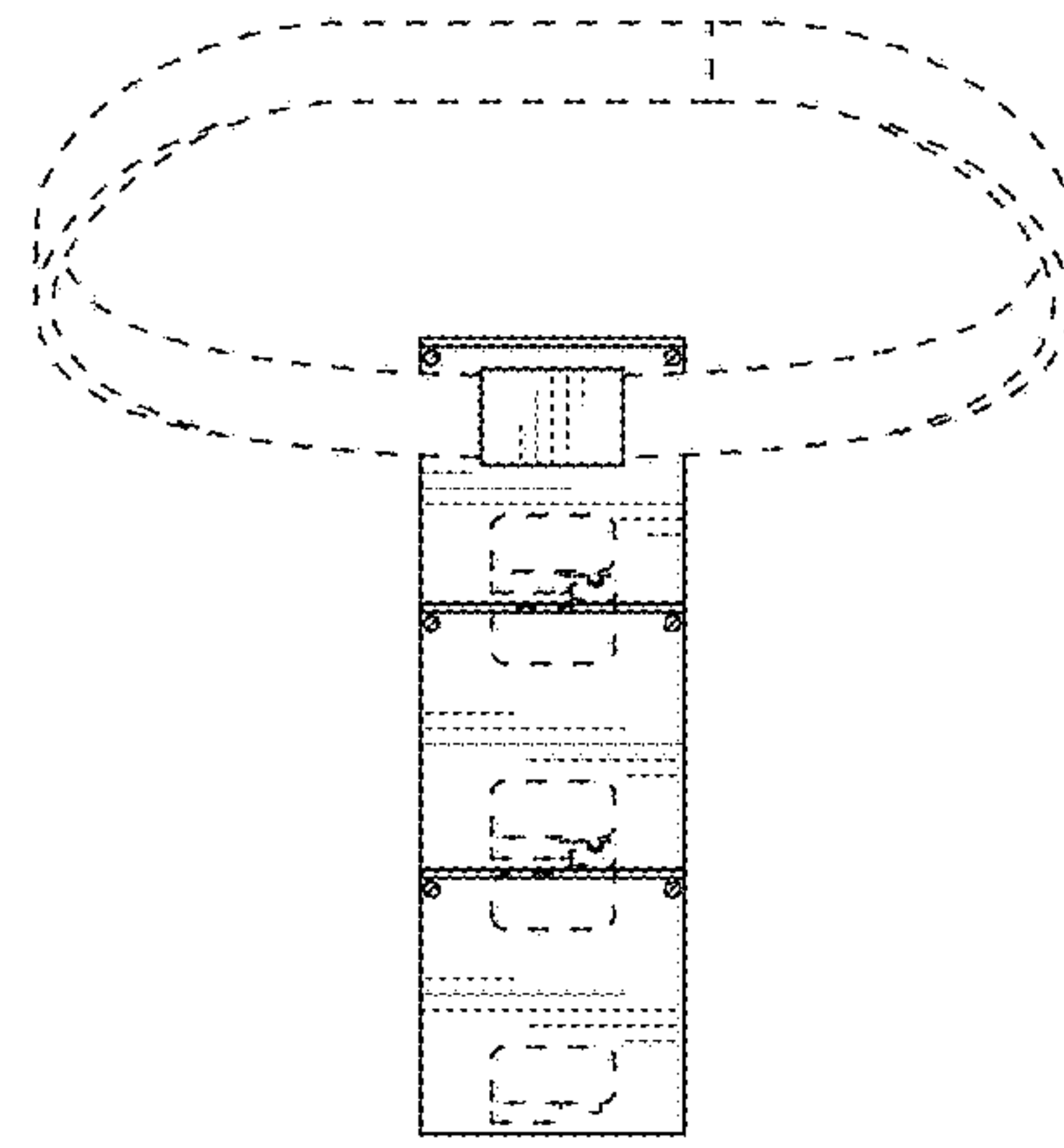




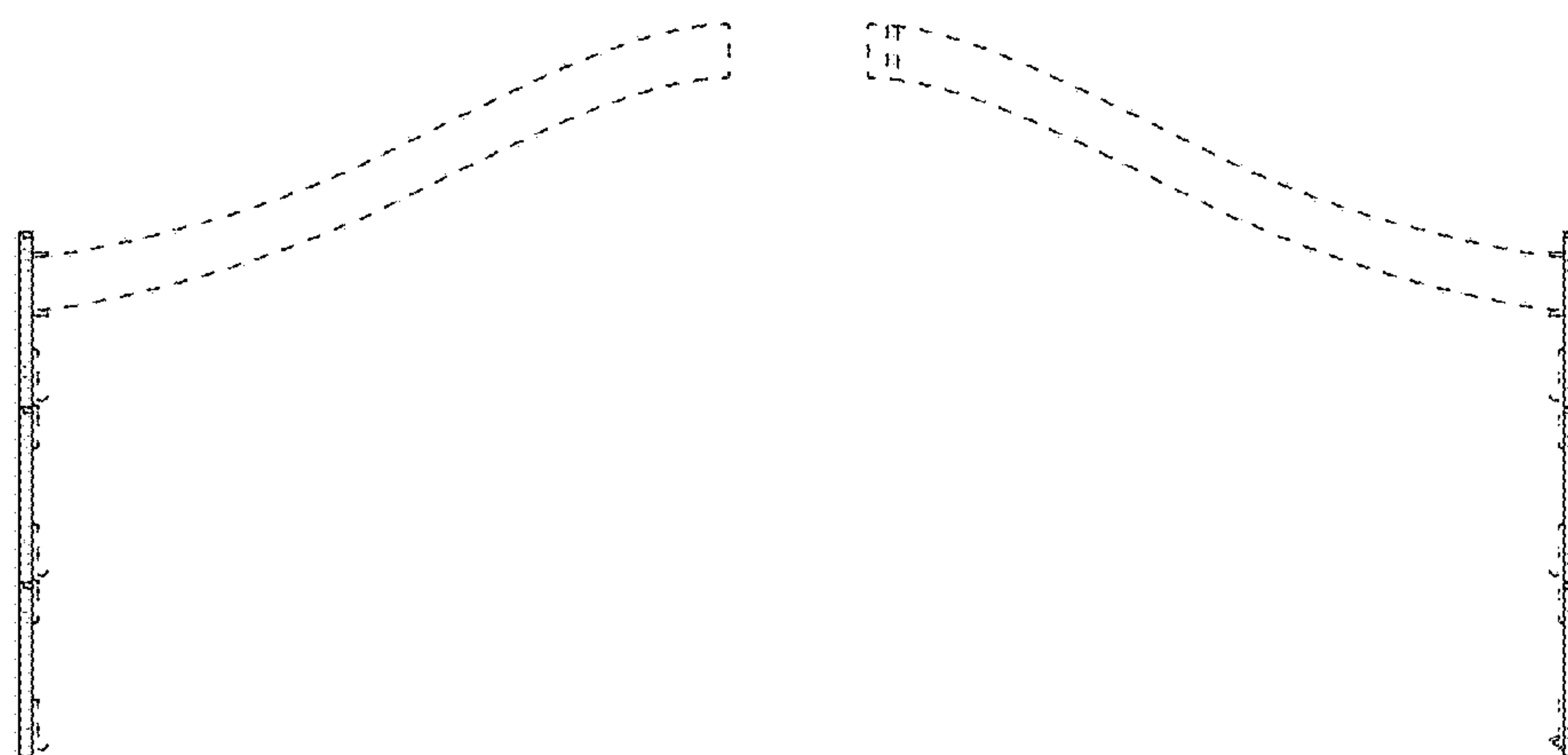
**FIG. 7**



**FIG. 8**



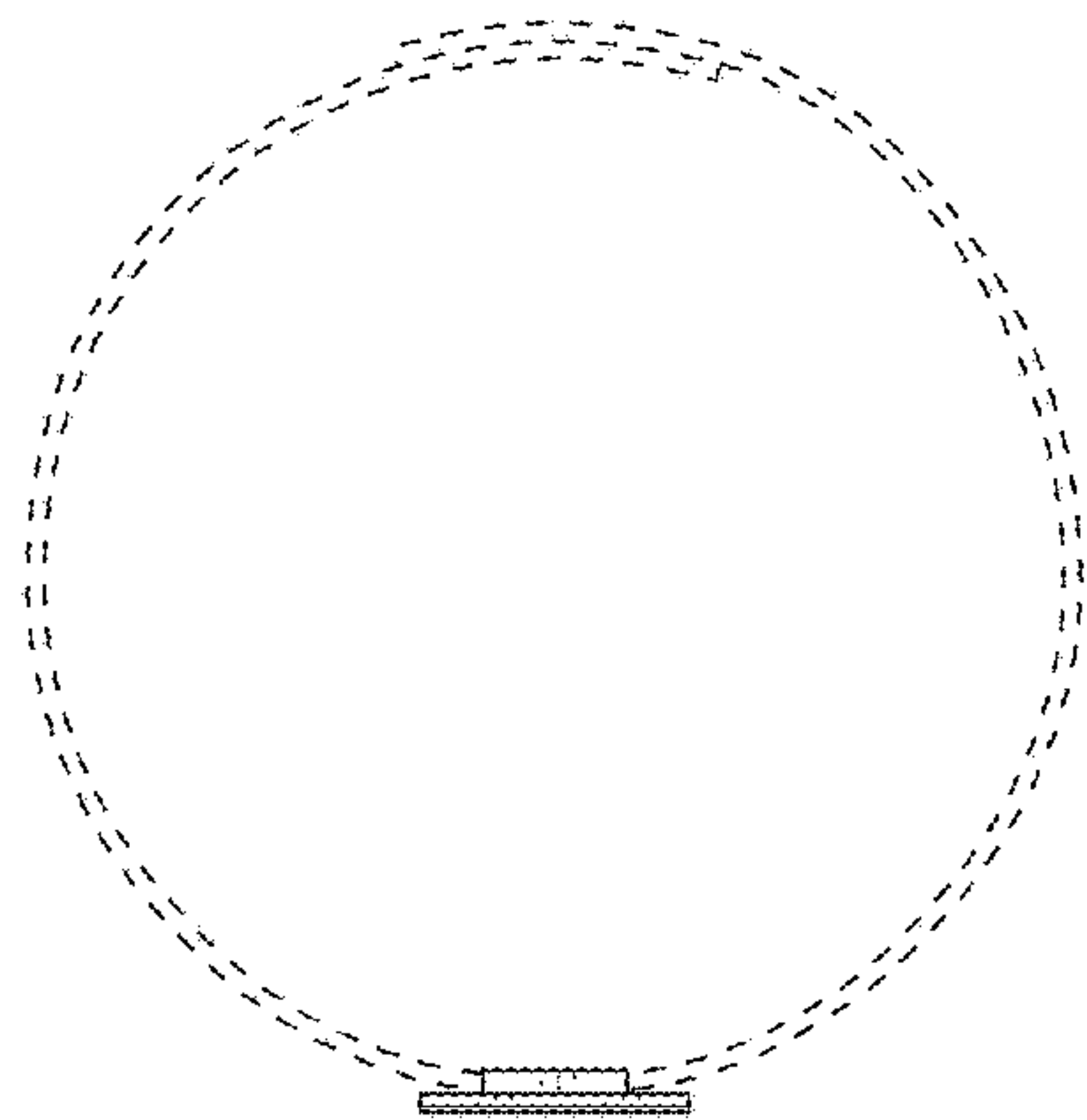
**FIG. 9**



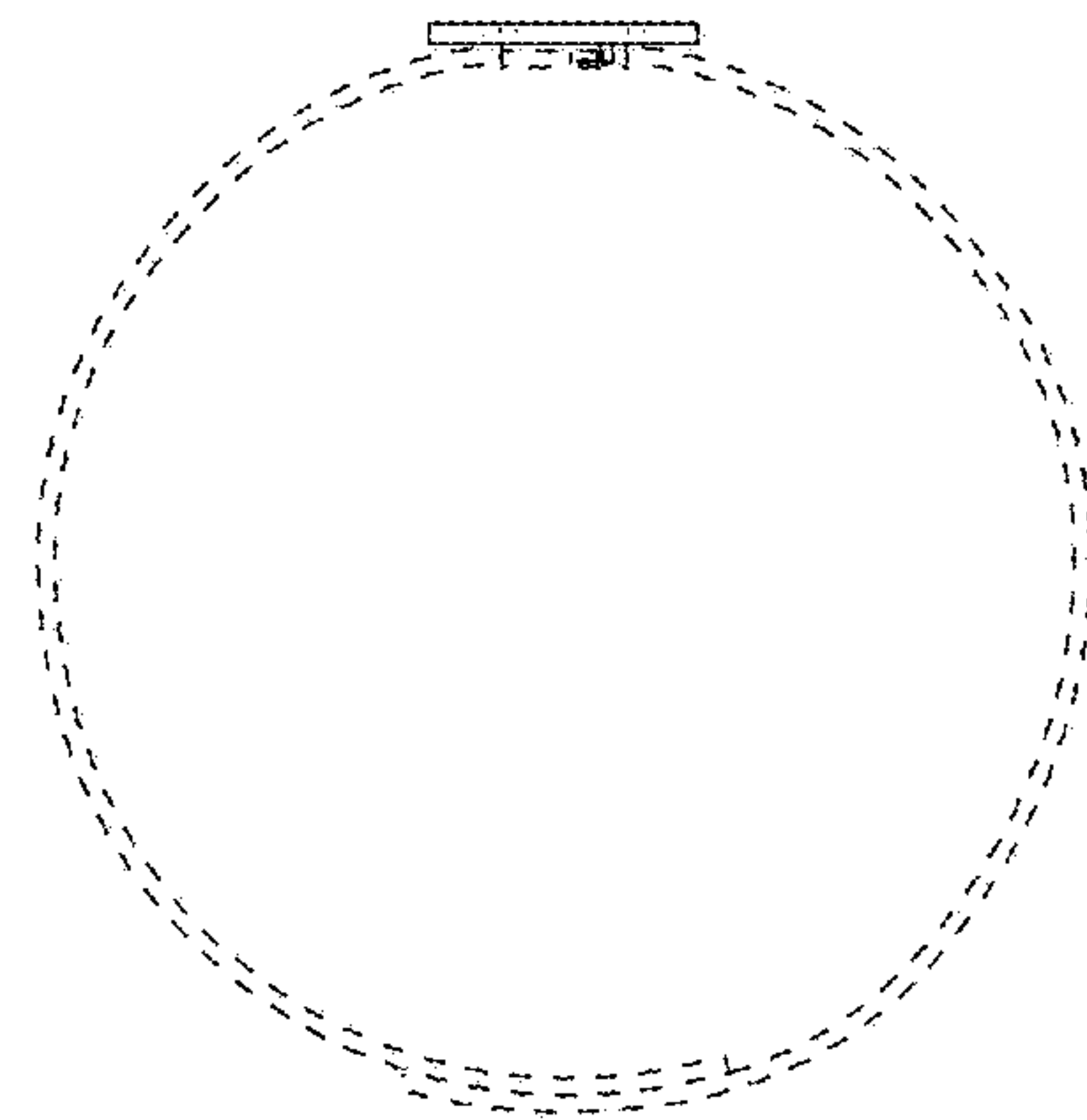
**FIG. 10**

**FIG. 11**

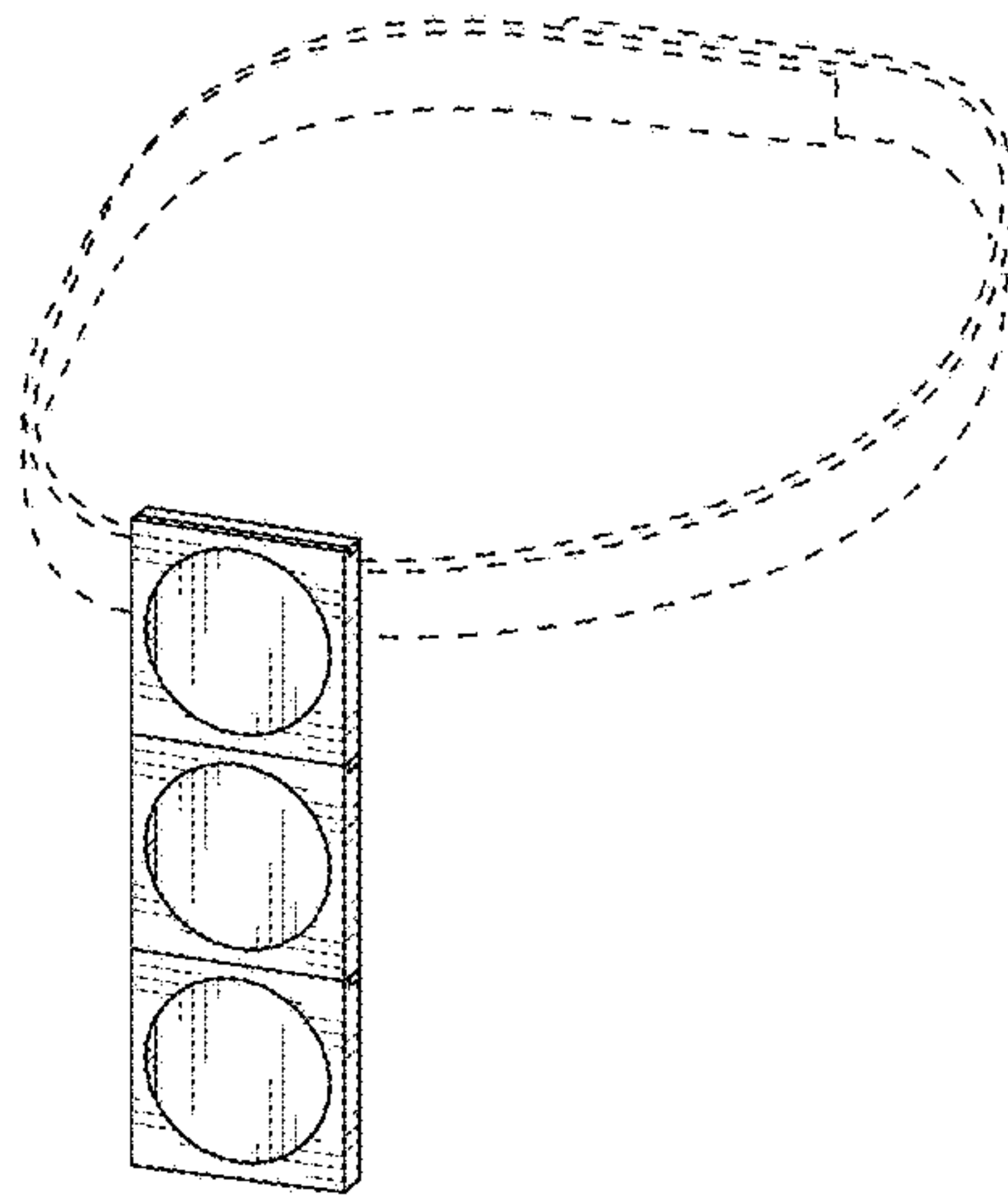




**FIG. 12**



**FIG. 13**



**FIG. 14**