



US00D856839S

(12) **United States Design Patent** (10) **Patent No.:** **US D856,839 S**
Siminoff et al. (45) **Date of Patent:** **** Aug. 20, 2019**

(54) **SOLAR-CHARGING MOUNTING BRACKET FOR VIDEO DOORBELL**

(71) Applicant: **Ring Inc.**, Santa Monica, CA (US)

(72) Inventors: **James Siminoff**, Pacific Palisades, CA (US); **Spiro Sacre**, Los Angeles, CA (US); **Christopher Loew**, Palo Alto, CA (US); **Mark Siminoff**, Mountain View, CA (US)

(73) Assignee: **Amazon Technologies, Inc.**, Seattle, WA (US)

(**) Term: **15 Years**

(21) Appl. No.: **29/595,956**

(22) Filed: **Mar. 3, 2017**

(51) **LOC (12) Cl.** **10-05**

(52) **U.S. Cl.**
USPC **D10/121**

(58) **Field of Classification Search**
USPC D10/104.1, 108, 116.1, 118, 118.2, D10/121-126; D16/202, 203, 208, 209, D16/215; D8/350, 353
CPC ... G08B 3/00; G08B 3/10; G08B 7/00; G08B 7/06; G08B 13/1436; G08B 13/1463; G08B 13/1481

See application file for complete search history.

(56) **References Cited**

U.S. PATENT DOCUMENTS

D197,066 S * 12/1963 Pulos D8/353
D298,733 S * 11/1988 Pool D8/353
D311,705 S * 10/1990 Thorp D10/121
5,041,698 A * 8/1991 Takagi H02G 3/14
174/66

D327,212 S * 6/1992 Hubben D8/353
D439,536 S * 3/2001 Matsuda D10/106.1
D462,915 S * 9/2002 Bush D10/121
D573,005 S * 7/2008 Huang D8/353
D703,083 S * 4/2014 Saikawa H02G 3/14
D10/121
D804,287 S * 12/2017 Baldwin D8/350

* cited by examiner

Primary Examiner — George D. Kirschbaum

Assistant Examiner — Joseph J Kukella

(74) *Attorney, Agent, or Firm* — Chong IP Law, LLP

(57) **CLAIM**

The ornamental design for a solar-charging mounting bracket for video doorbell, as shown and described.

DESCRIPTION

FIG. 1 is a front perspective view of a preferred embodiment of the solar-charging mounting bracket for video doorbell according to the present design;

FIG. 2 is a front elevational view of the solar-charging mounting bracket for video doorbell of FIG. 1;

FIG. 3 is a rear elevational view of the solar-charging mounting bracket for video doorbell of FIG. 1;

FIG. 4 is a right-side elevational view of the solar-charging mounting bracket for video doorbell of FIG. 1;

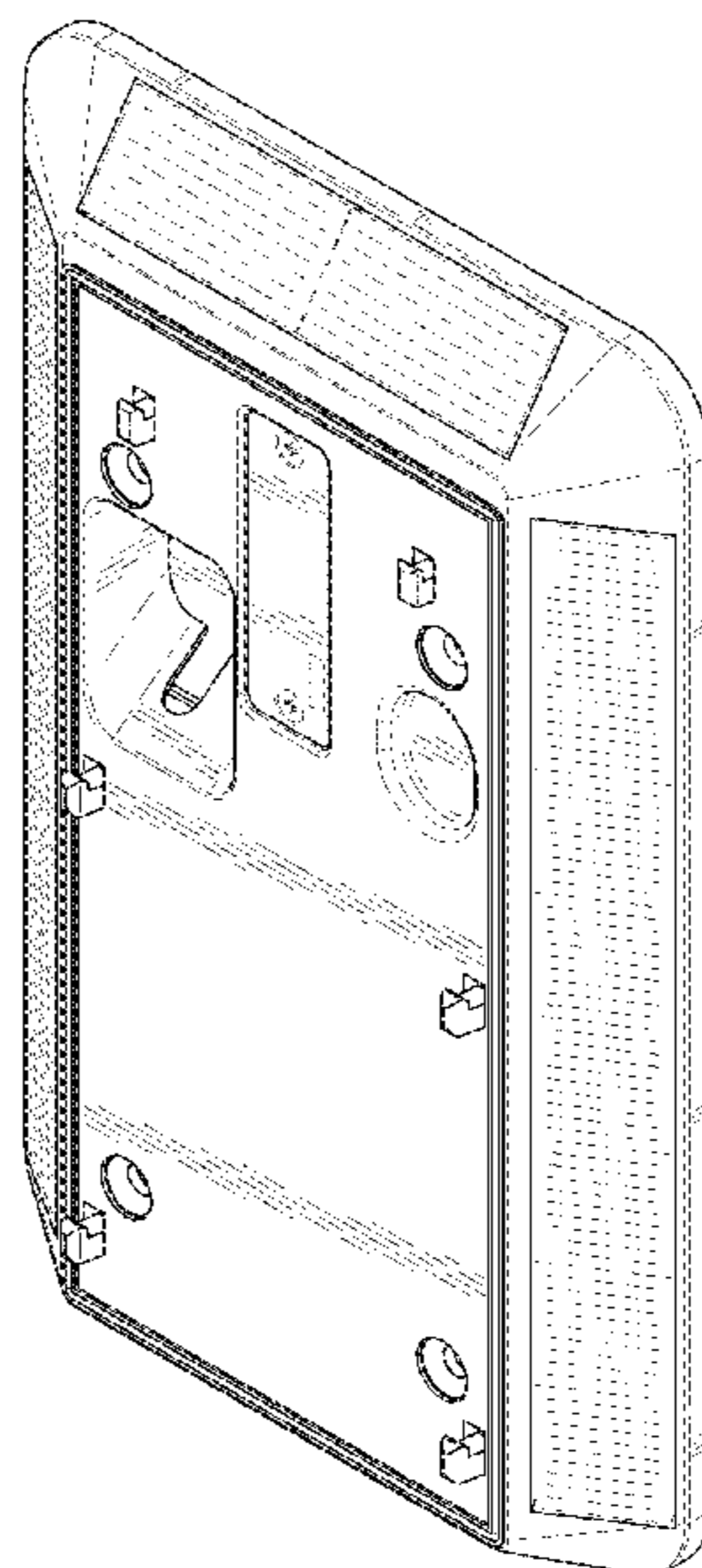
FIG. 5 is a left-side elevational view of the solar-charging mounting bracket for video doorbell of FIG. 1;

FIG. 6 is a top plan view of the solar-charging mounting bracket for video doorbell of FIG. 1; and,

FIG. 7 is a bottom plan view of the solar-charging mounting bracket for video doorbell of FIG. 1.

In the drawings, the broken lines depict portions of the article that form no part of the claimed design.

1 Claim, 5 Drawing Sheets



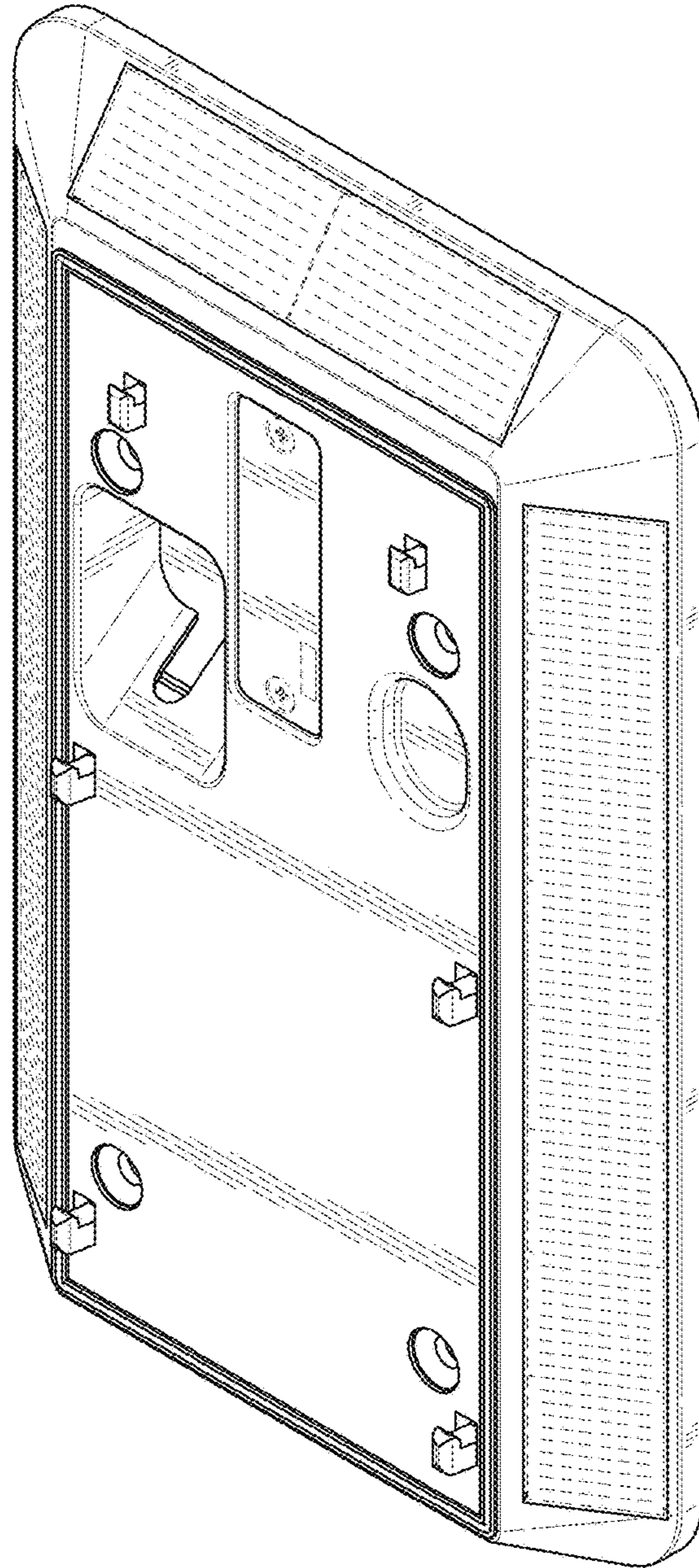


FIG. 1

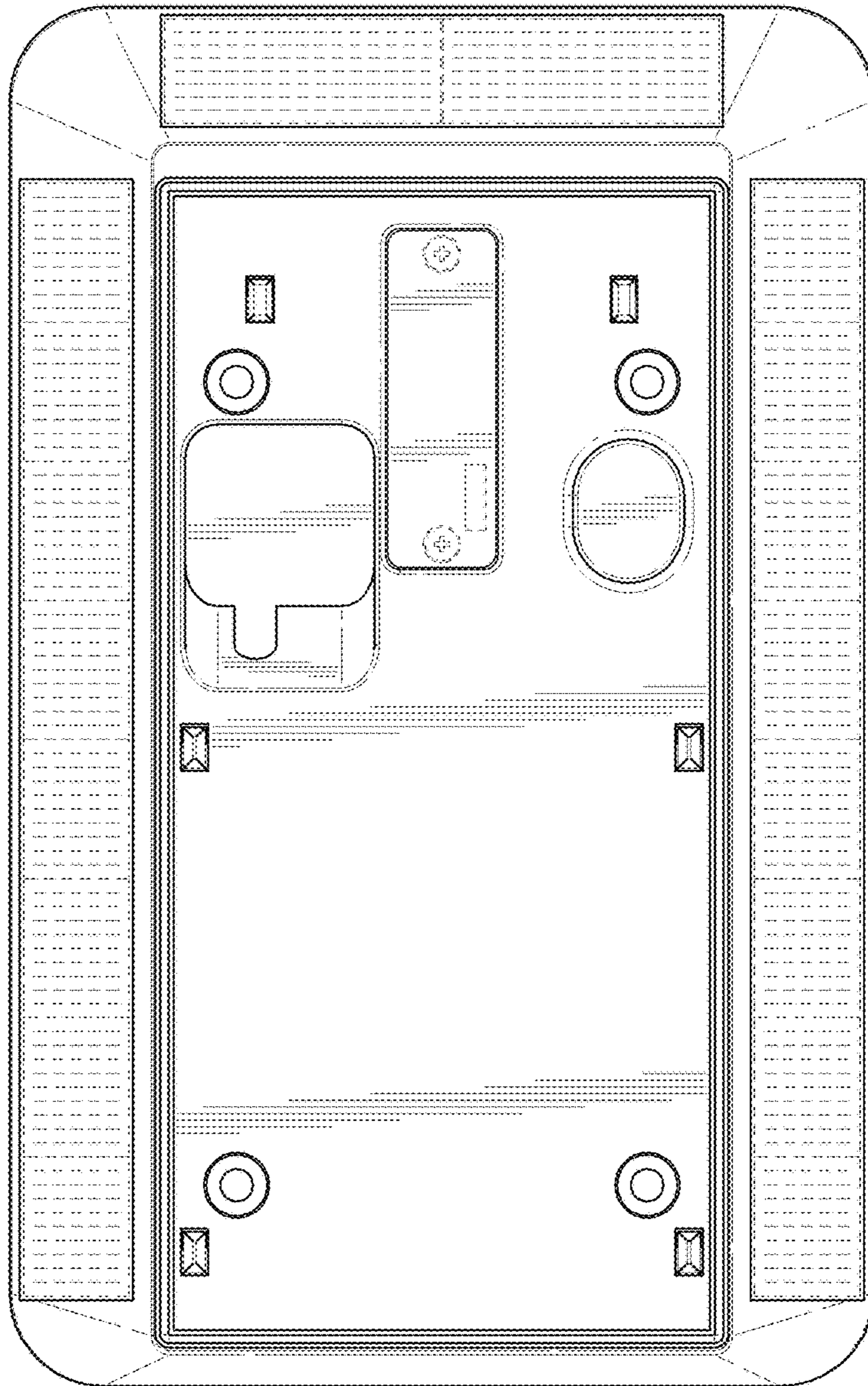


FIG. 2

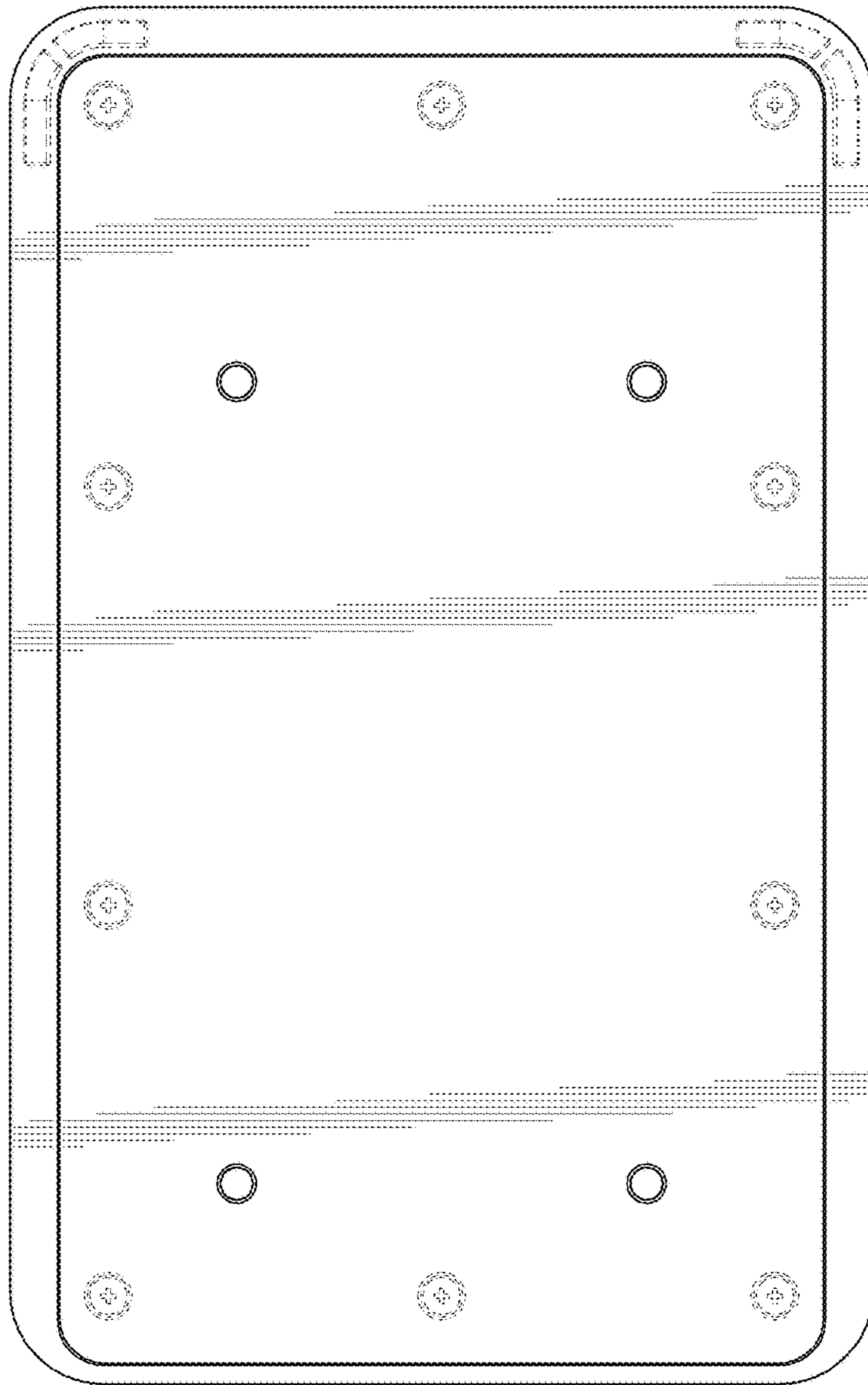


FIG. 3

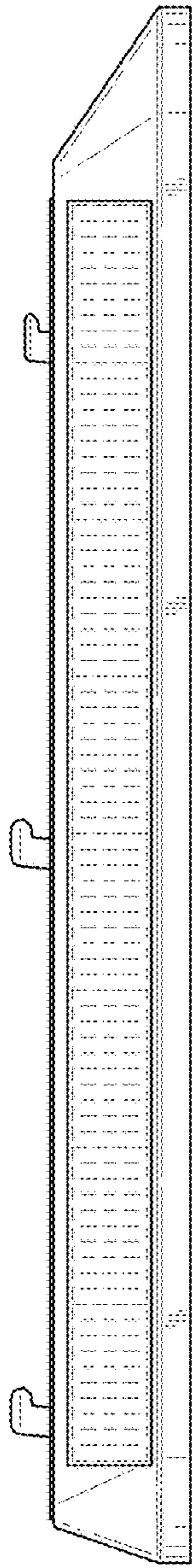


FIG. 4

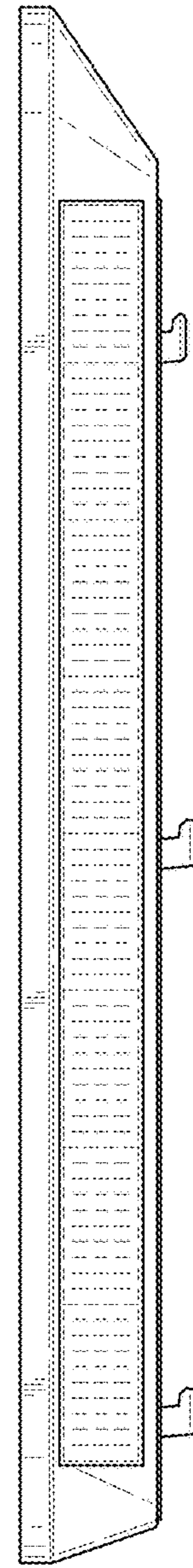


FIG. 5

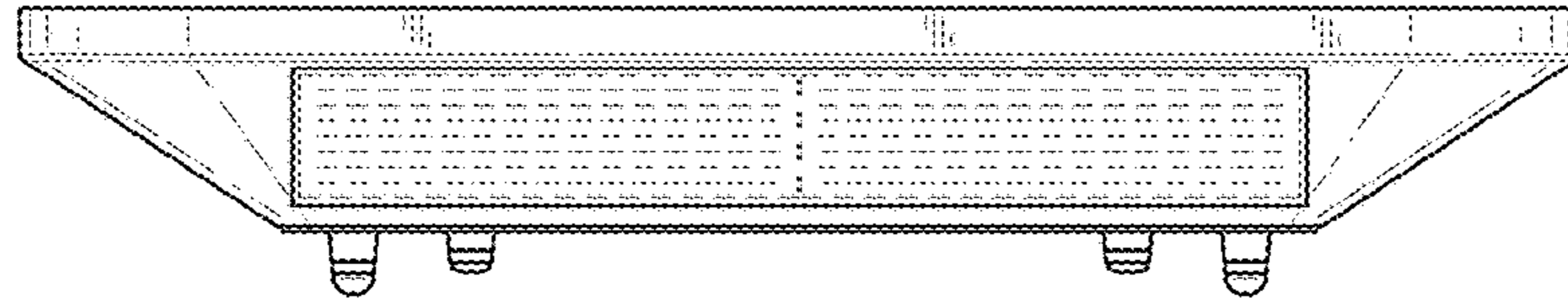


FIG. 6

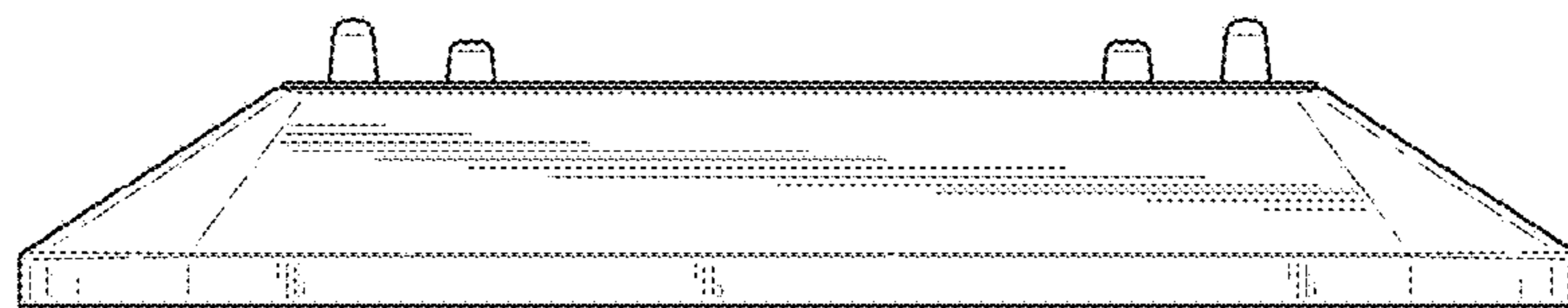


FIG. 7