

US00D856834S

(12) **United States Design Patent**
Ehrlich

(10) **Patent No.:** **US D856,834 S**

(45) **Date of Patent:** **** Aug. 20, 2019**

(54) **HOUSE WATER METER**

137/0413; Y10T 137/6966; Y10T
137/6969; Y10T 137/6973; Y10T
137/8158

(71) Applicant: **DIEHL METERING GMBH**, Ansbach
(DE)

See application file for complete search history.

(72) Inventor: **Andre Ehrlich**, Fuerth (DE)

(56) **References Cited**

(73) Assignee: **Diehl Metering GmbH**, Ansbach (DE)

U.S. PATENT DOCUMENTS

(**) Term: **15 Years**

D798,756 S * 10/2017 Nguyen D10/99
10,132,061 B1 * 11/2018 Farag E03B 7/071

(21) Appl. No.: **29/639,571**

* cited by examiner

(22) Filed: **Mar. 7, 2018**

Primary Examiner — Antoine Duval Davis

(30) **Foreign Application Priority Data**

(74) *Attorney, Agent, or Firm* — Laurence A. Greenberg;
Werner H. Stemer; Ralph E. Locher

Sep. 7, 2017 (EM) 004245884-0001

(51) **LOC (12) Cl.** **10-04**

(52) **U.S. Cl.**
USPC **D10/96**; D10/99

(58) **Field of Classification Search**
USPC D10/96, 99
CPC G01F 1/662; G01F 15/06; G01F 15/061;
G01F 15/063; G01F 15/065; G01F
15/066; G01F 15/068; G01F 1/40; G01F
1/42; G01F 1/44; G01F 1/46; G01F 1/06;
G01F 1/07; G01F 1/10; G01F 3/02; G01F
3/12; G01F 15/14; G01F 15/18; Y10T
137/2224; Y10T 137/6851; Y10T

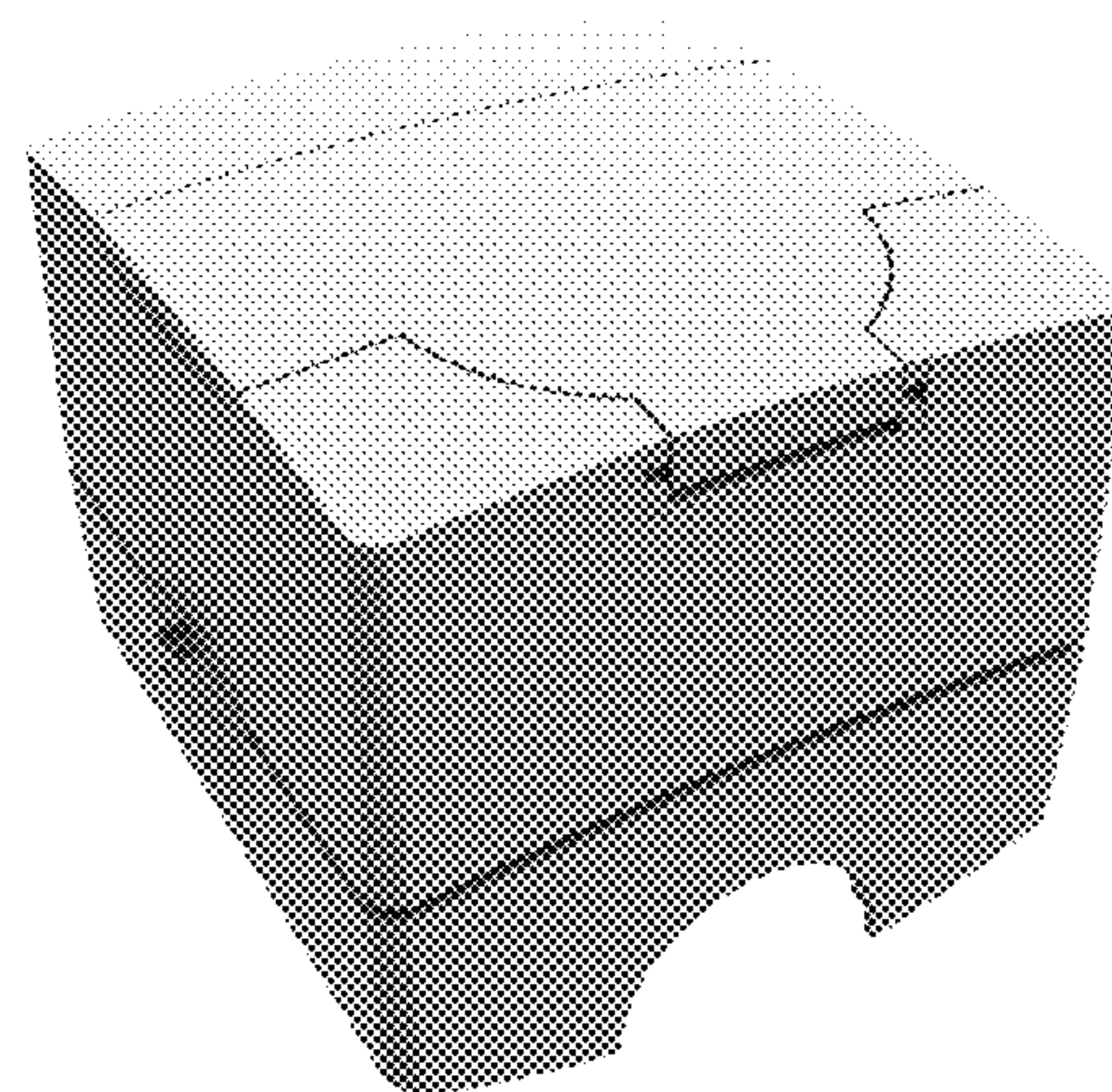
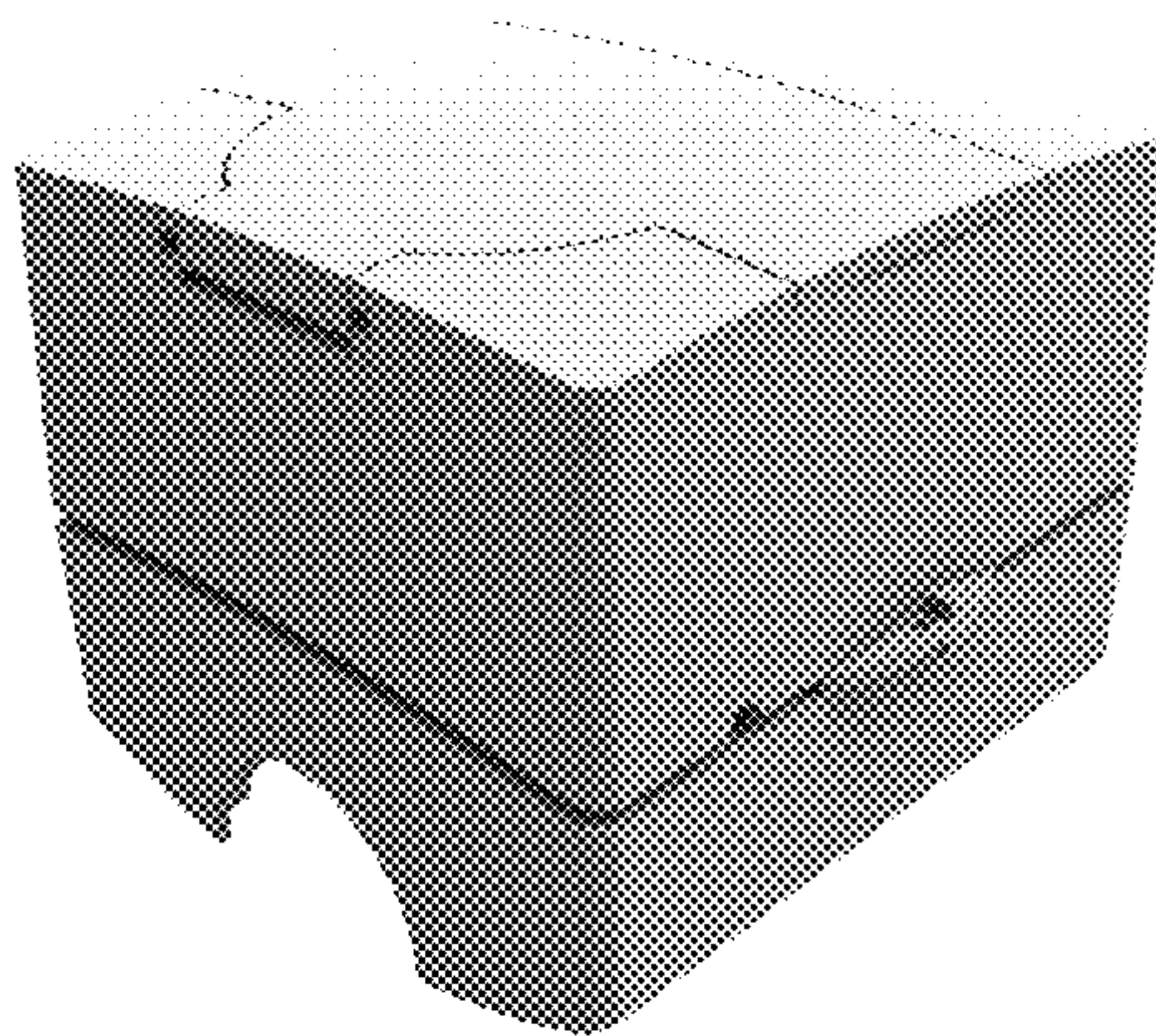
(57) **CLAIM**

The ornamental design for a house water meter, as shown
and described.

DESCRIPTION

FIG. 1 is a front-right side perspective view of the house
water meter showing my new invention; and,
FIG. 2 is a front-left perspective view thereof.

1 Claim, 2 Drawing Sheets



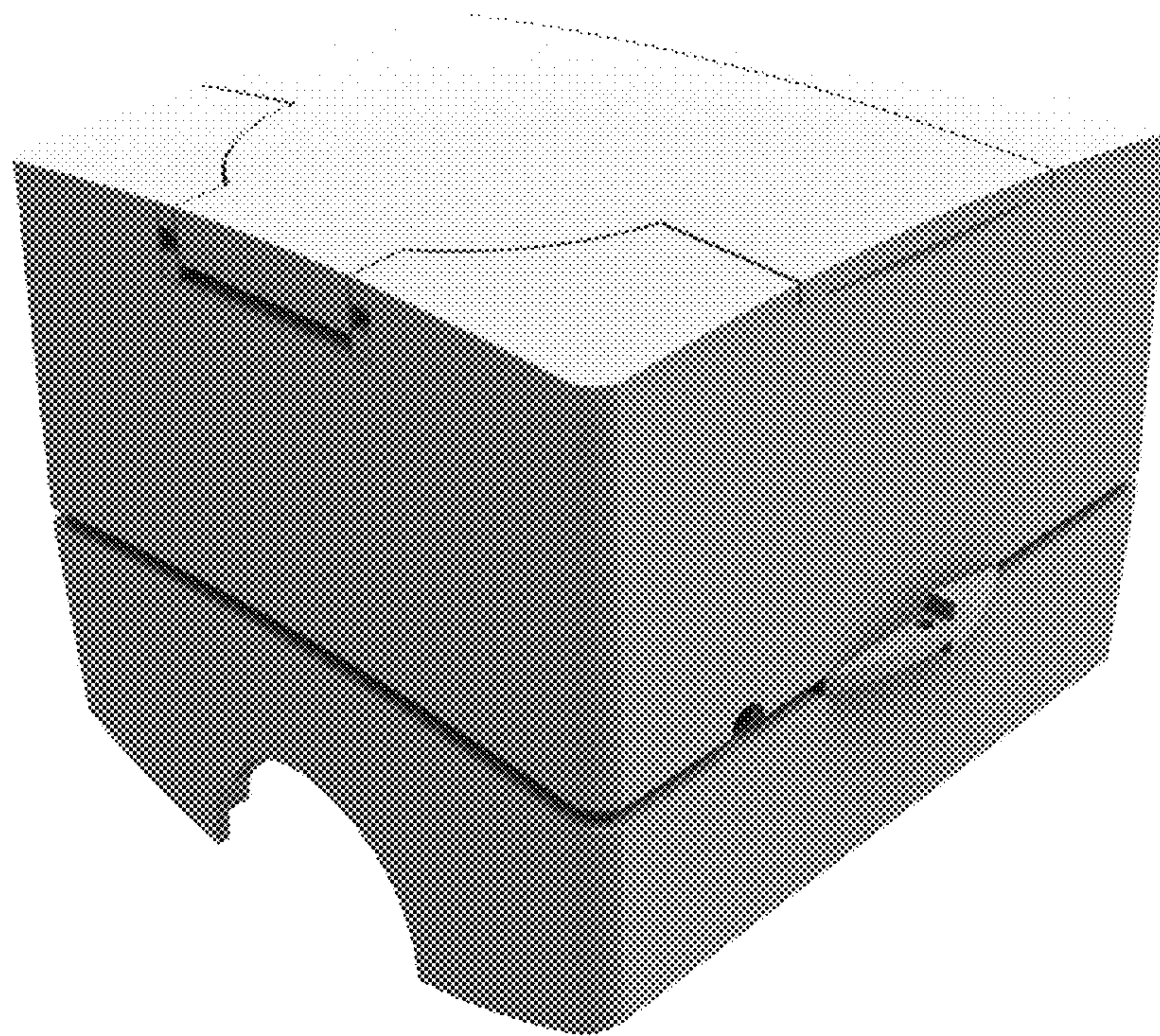


FIG.1

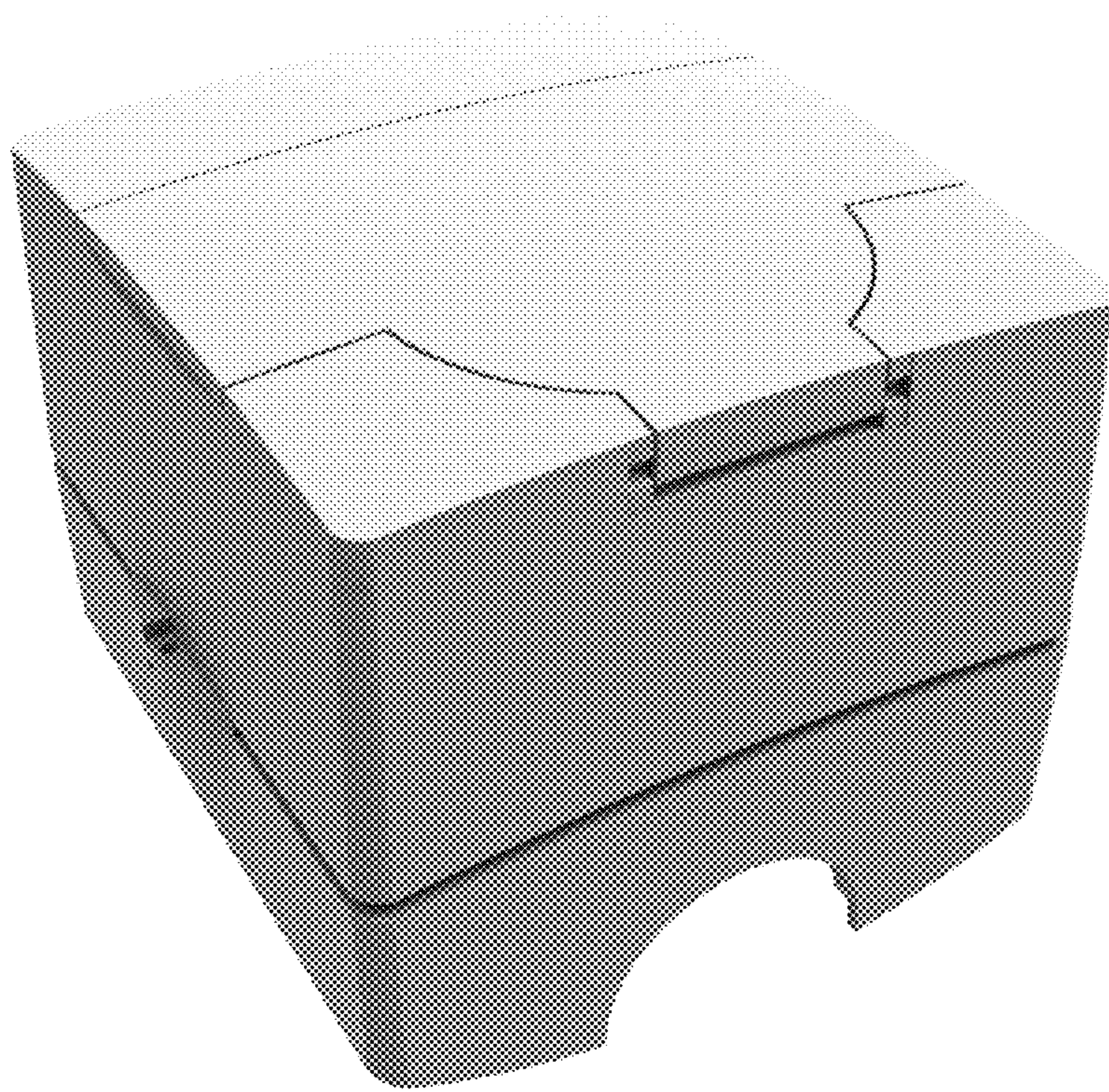


FIG.2