



US00D856833S

(12) **United States Design Patent**  
**Cohen**

(10) **Patent No.:** **US D856,833 S**

(45) **Date of Patent:** **\*\* Aug. 20, 2019**

(54) **VACUUM REGULATOR WITH METER ASSEMBLY USED IN GAS FEED SYSTEMS**

(71) Applicant: **De Nora Water Technologies, Inc.**,  
Colmar, PA (US)

(72) Inventor: **Avi Cohen**, Great Neck, NY (US)

(73) Assignee: **De Nora Water Technologies, Inc.**,  
Colmar, PA (US)

(\*\*) Term: **15 Years**

(21) Appl. No.: **29/593,109**

(22) Filed: **Feb. 6, 2017**

(51) **LOC (12) Cl.** ..... **10-05**

(52) **U.S. Cl.**  
USPC ..... **D10/96; D10/235**

(58) **Field of Classification Search**  
USPC ..... D10/49, 96, 99, 100, 101, 102, 103;  
D15/7, 9; D23/233, 235, 245, 246  
CPC ..... G01L 19/083; G01L 19/10; G01L 21/00;  
D21G 9/00; G05D 16/0619; G05D  
16/0636; G05D 16/103  
See application file for complete search history.

(56) **References Cited**

**U.S. PATENT DOCUMENTS**

D102,323 S	*	12/1936	Dinzl	.....	D10/102
2,631,612 A	*	3/1953	Buescher	.....	F16K 31/0658
					251/127
2,686,532 A	*	8/1954	Segerstad	.....	G05D 16/0619
					137/500
3,078,870 A	*	2/1963	Merritt	.....	A01J 5/048
					137/534
D195,226 S	*	5/1963	Busillo	.....	D10/96
D241,021 S	*	8/1976	Bacino et al.	.....	D10/96
D297,716 S	*	9/1988	Rosaen	.....	D10/96

(Continued)

**OTHER PUBLICATIONS**

<http://www.resourcesystemsinc.ca/vacuum-regulators-3/> Uploaded  
Sep. 2013 (Year: 2013).\*

(Continued)

*Primary Examiner* — Leanne Was-Englehart

(74) *Attorney, Agent, or Firm* — D'Ambrosio & Menon,  
PLLC; Usha Menon

(57) **CLAIM**

The ornamental design for a vacuum regulator with meter assembly used in gas feed systems, as shown and described.

**DESCRIPTION**

FIG. 1 is a right side view of a vacuum regulator with meter assembly used in gas feed systems showing our new design, wherein the vacuum regulator with meter assembly used in gas feed systems comprises an inlet valve, a pressure relief valve, a yoke assembly;

FIG. 2 is a front view thereof;

FIG. 3 is a right side view of an embodiment of the design of FIG. 1, wherein the vacuum regulator with meter assembly used in gas feed systems further includes an out of gas switch;

FIG. 4 is a front view of the design of FIG. 3;

FIG. 5 is a left rear view of the design of FIG. 1;

FIG. 6 is a right rear view of the design of FIG. 1, wherein the yoke assembly is removed to disclose details not otherwise discernible from the assembled article;

FIG. 7 is a left rear view of the design of FIG. 3;

FIG. 8 is a right rear view of the design of FIG. 3, wherein the yoke assembly is removed to disclose details not otherwise discernible from the assembled article;

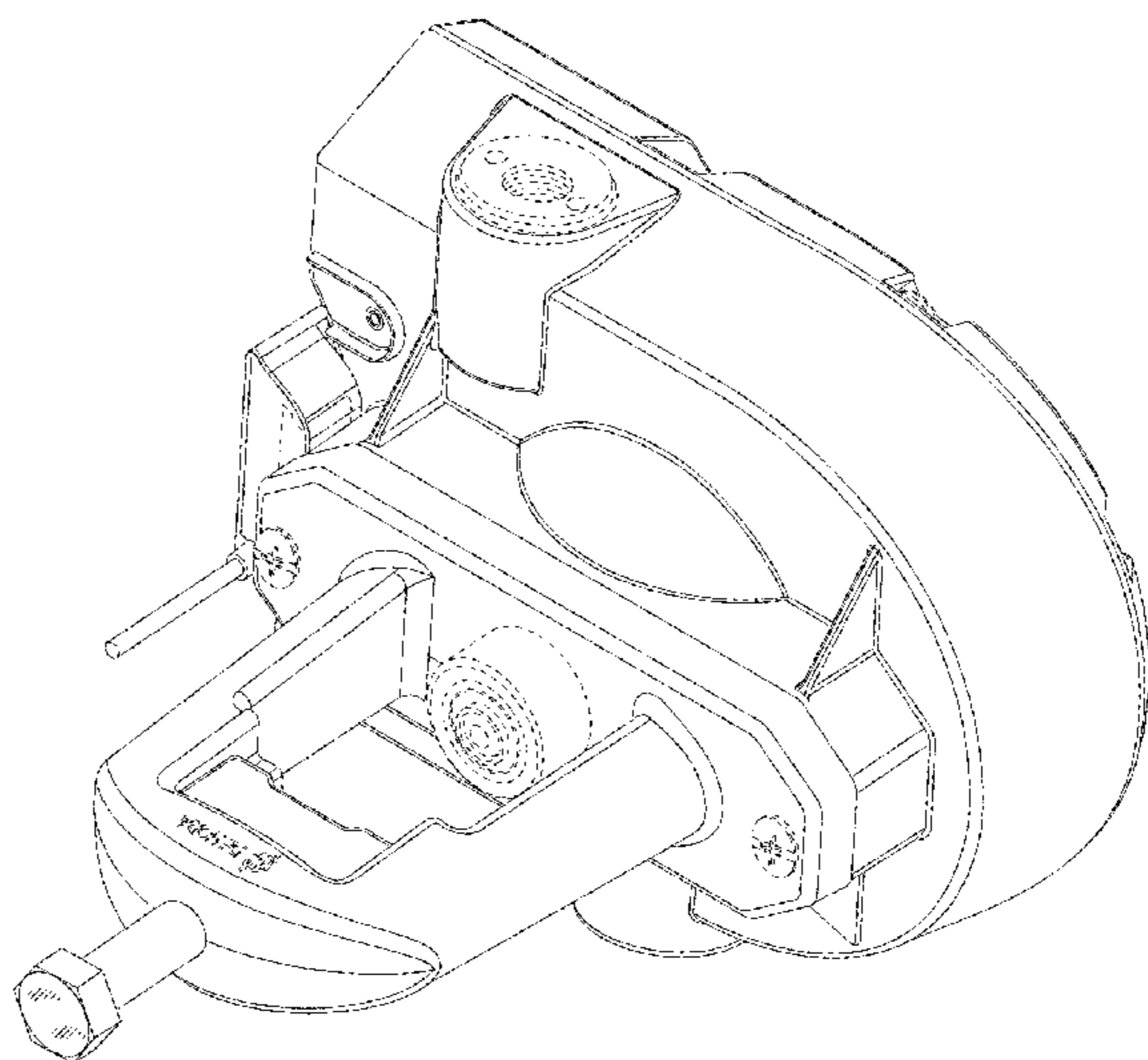
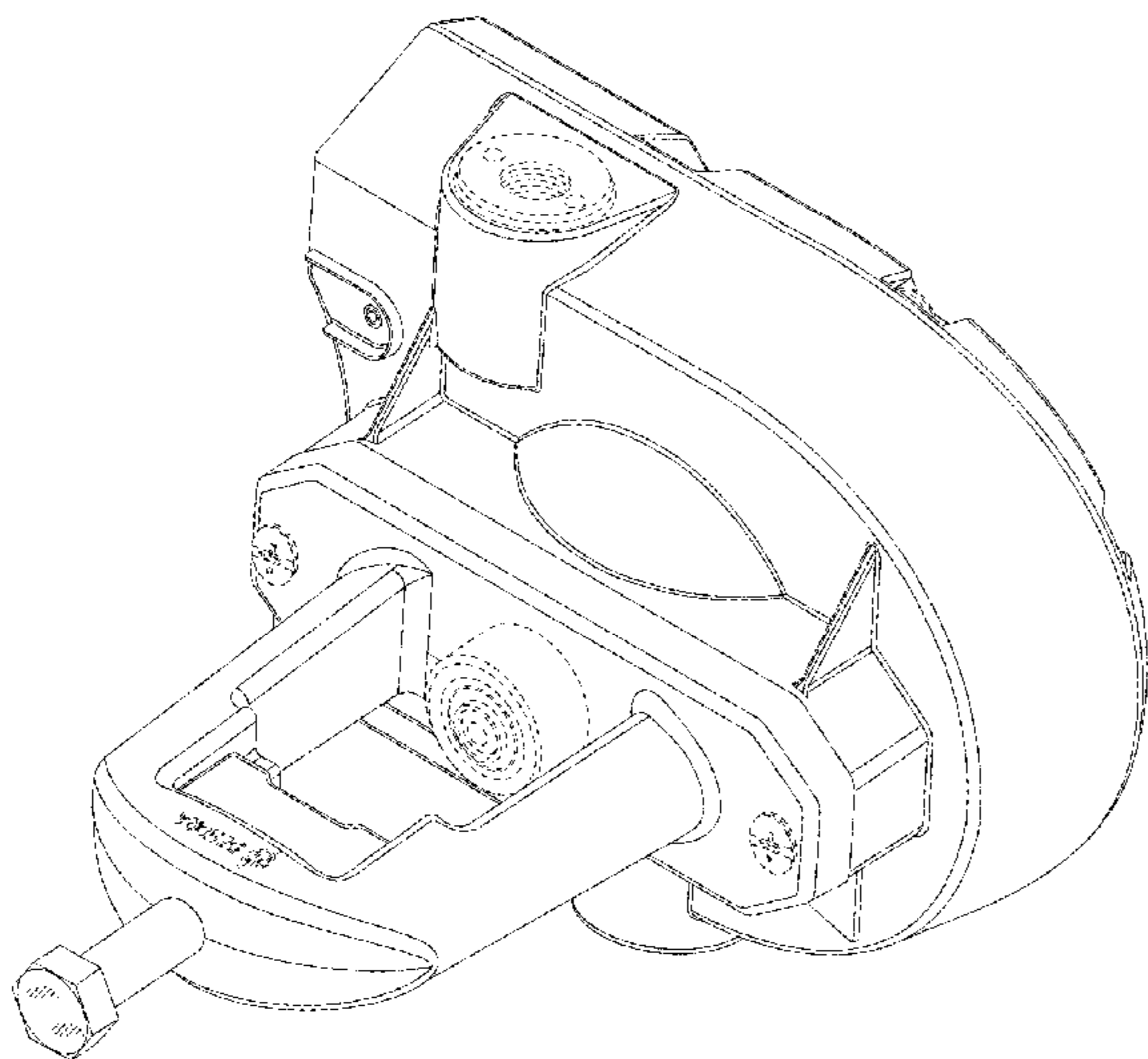
FIG. 9 is a left front view of the design of FIG. 1;

FIG. 10 is a left front view of the design of FIG. 3; and,

FIG. 11 is a left rear view of the design of FIG. 3.

The broken lines in the drawings depict portions of the vacuum regulator with meter assembly used in gas feed systems that form no part of the claimed design.

**1 Claim, 11 Drawing Sheets**



(56)

**References Cited**

U.S. PATENT DOCUMENTS

D301,988 S \* 7/1989 Kruse ..... D10/96  
 D309,118 S \* 7/1990 Hall ..... D10/96  
 D309,272 S \* 7/1990 Hall ..... D10/96  
 5,065,979 A \* 11/1991 Detweiler ..... G05D 16/2013  
 137/82  
 5,513,673 A \* 5/1996 Slavin ..... F16K 31/0613  
 137/625.65  
 5,599,308 A \* 2/1997 Krupa ..... A61M 1/0037  
 604/118  
 5,617,890 A \* 4/1997 Brehm ..... F15B 13/0405  
 137/82  
 5,899,223 A \* 5/1999 Shuman, Jr. .... F16K 1/307  
 137/505.25  
 5,967,172 A \* 10/1999 Cook ..... G05D 16/2013  
 137/82

6,089,259 A \* 7/2000 Shuman, Jr. .... F16K 1/307  
 137/505.25  
 D510,938 S \* 10/2005 Thomas ..... D15/7  
 7,089,938 B2 \* 8/2006 Gale ..... A61M 16/00  
 128/204.24  
 D674,469 S \* 1/2013 Boyer ..... D23/235  
 D780,228 S \* 2/2017 Kudo ..... D15/7  
 D780,229 S \* 2/2017 Kudo ..... D15/7  
 2010/0274229 A1 \* 10/2010 Duocastella Codina .....  
 A61M 1/0011  
 604/543  
 2017/0328521 A1 \* 11/2017 Grabski ..... F17C 13/025

OTHER PUBLICATIONS

<https://www.wateronline.com/doc/capital-controls-series-vacuum-gas-feeders-0001> Available Feb. 27, 2016 (Year: 2016).\*

\* cited by examiner

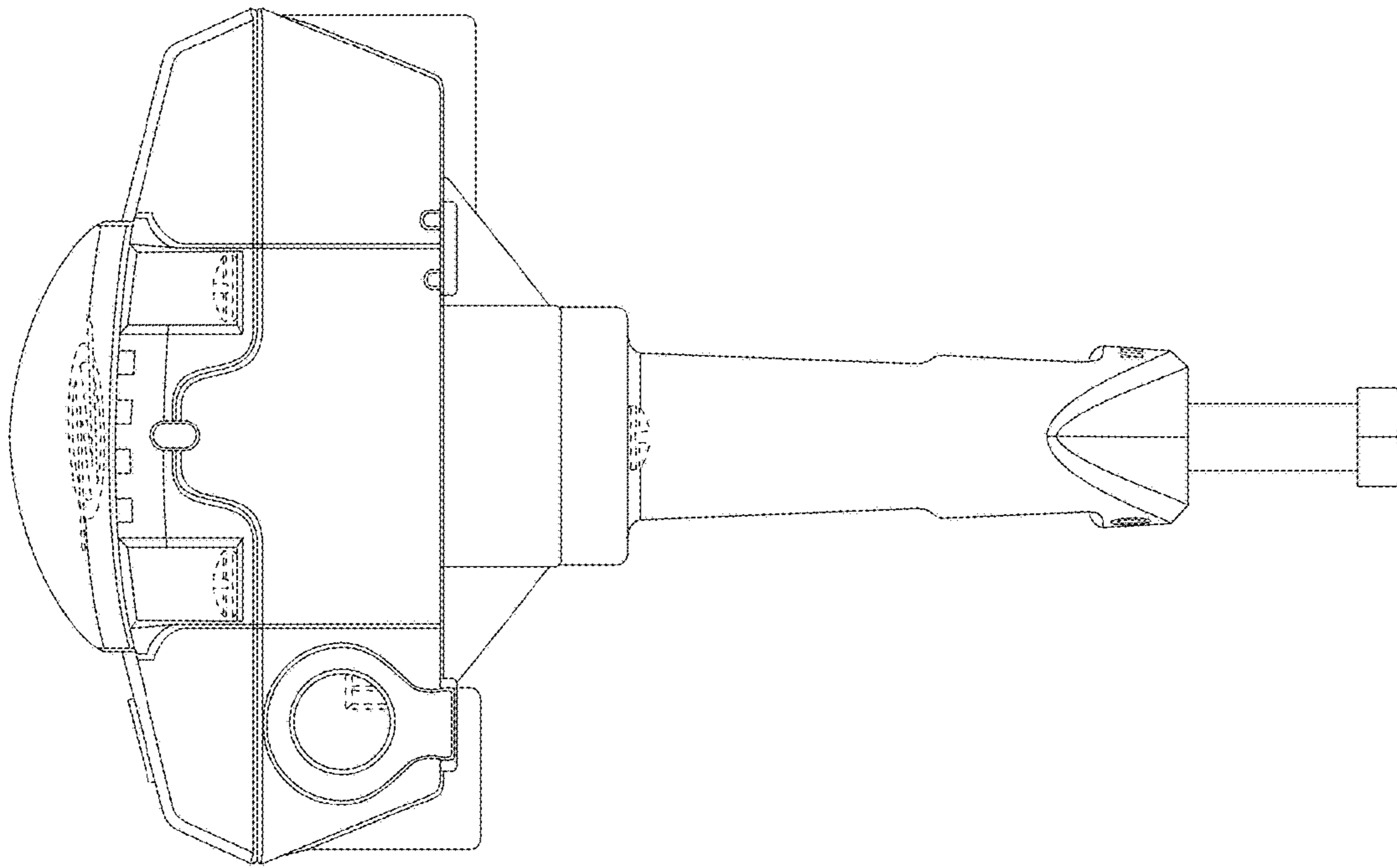


FIG. 1

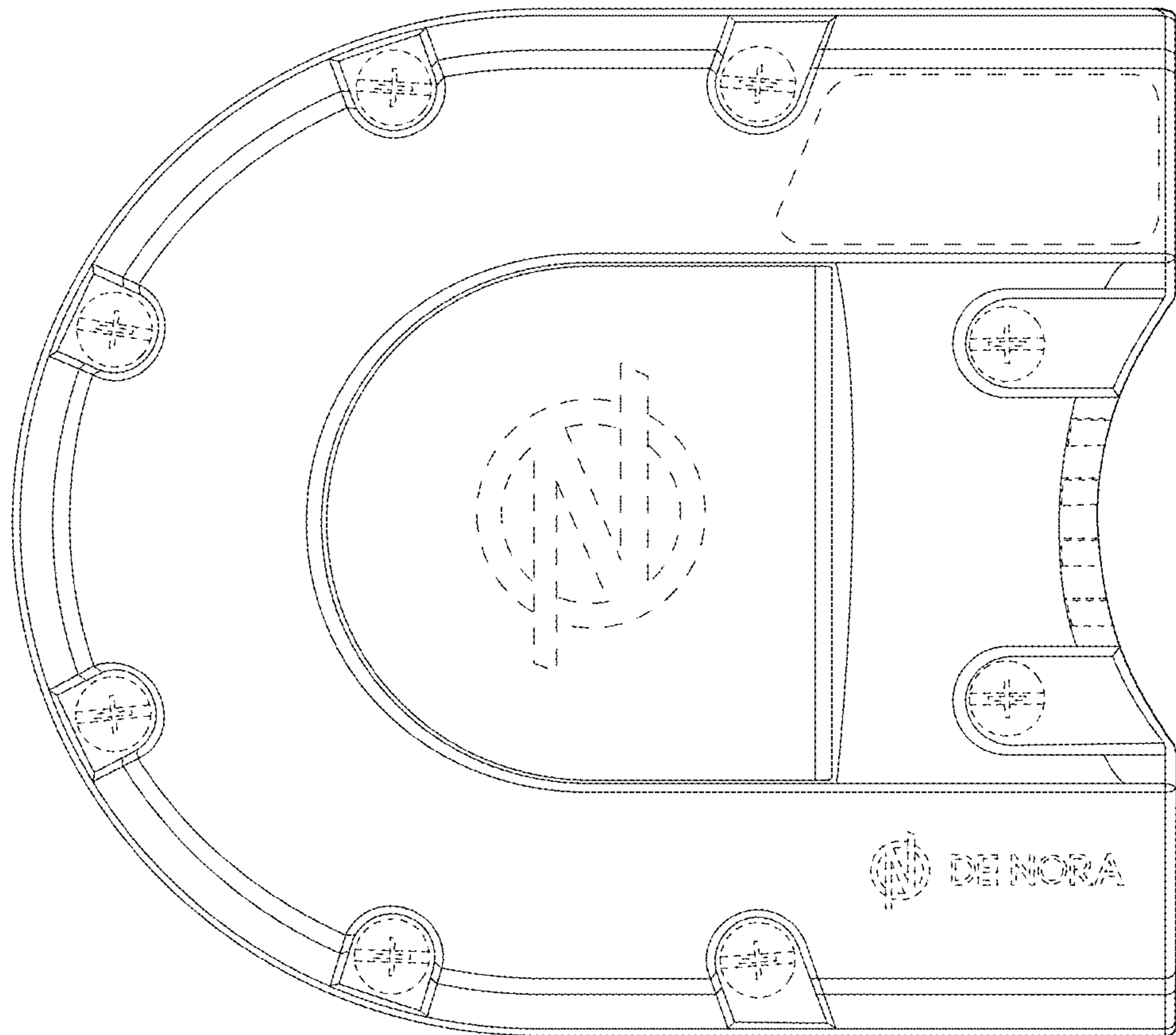


FIG. 2

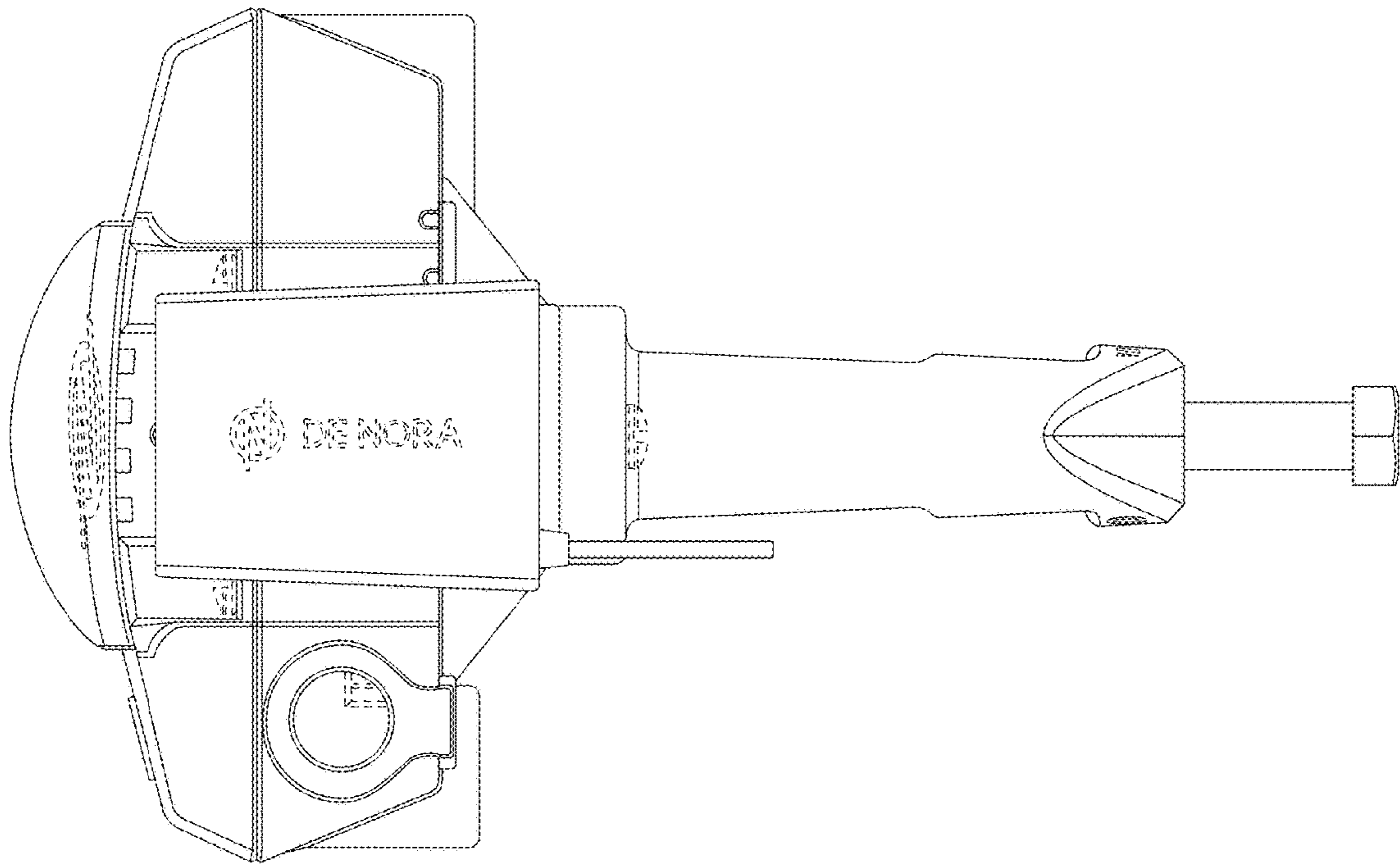


FIG. 3

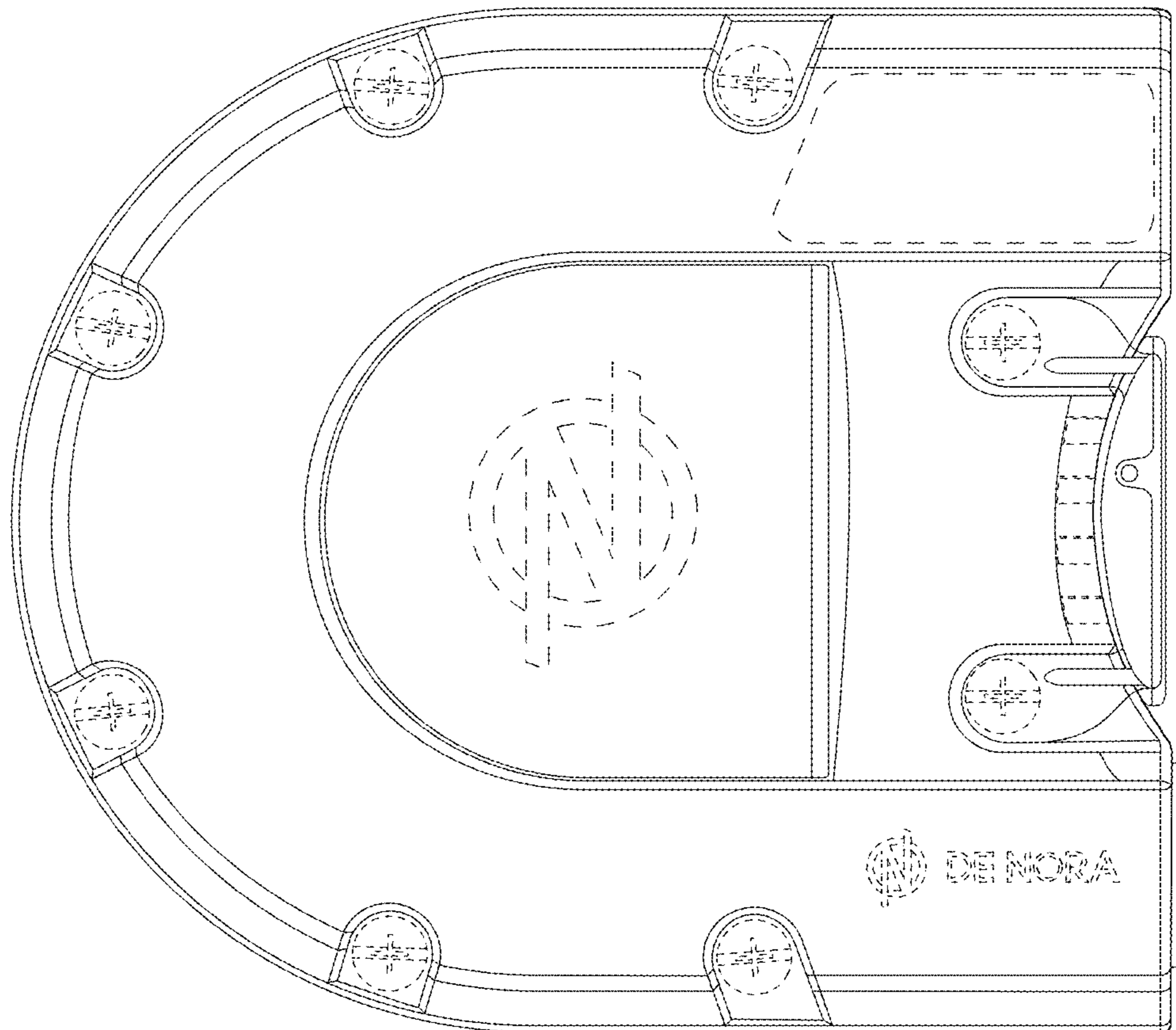


FIG. 4

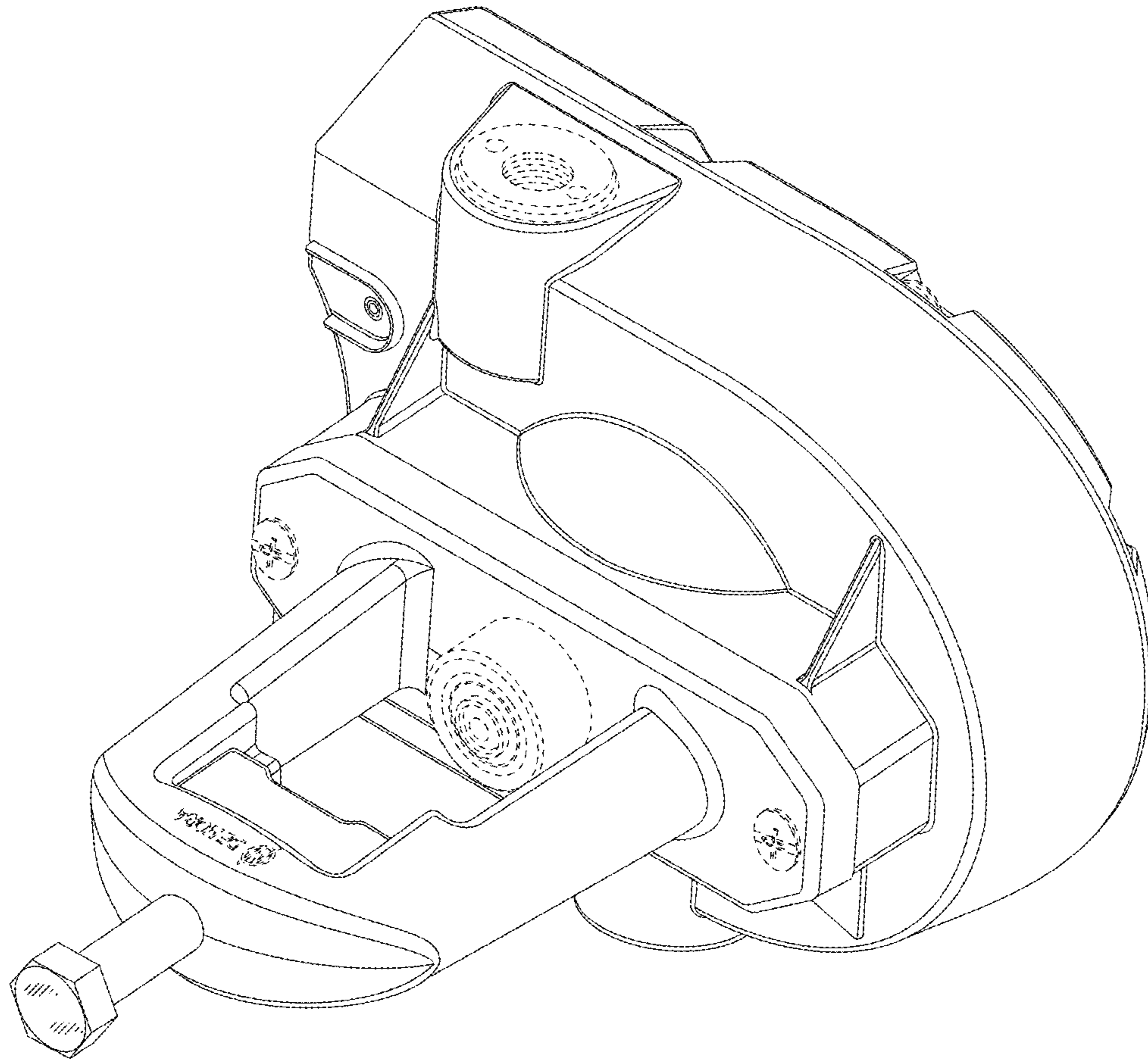


FIG. 5

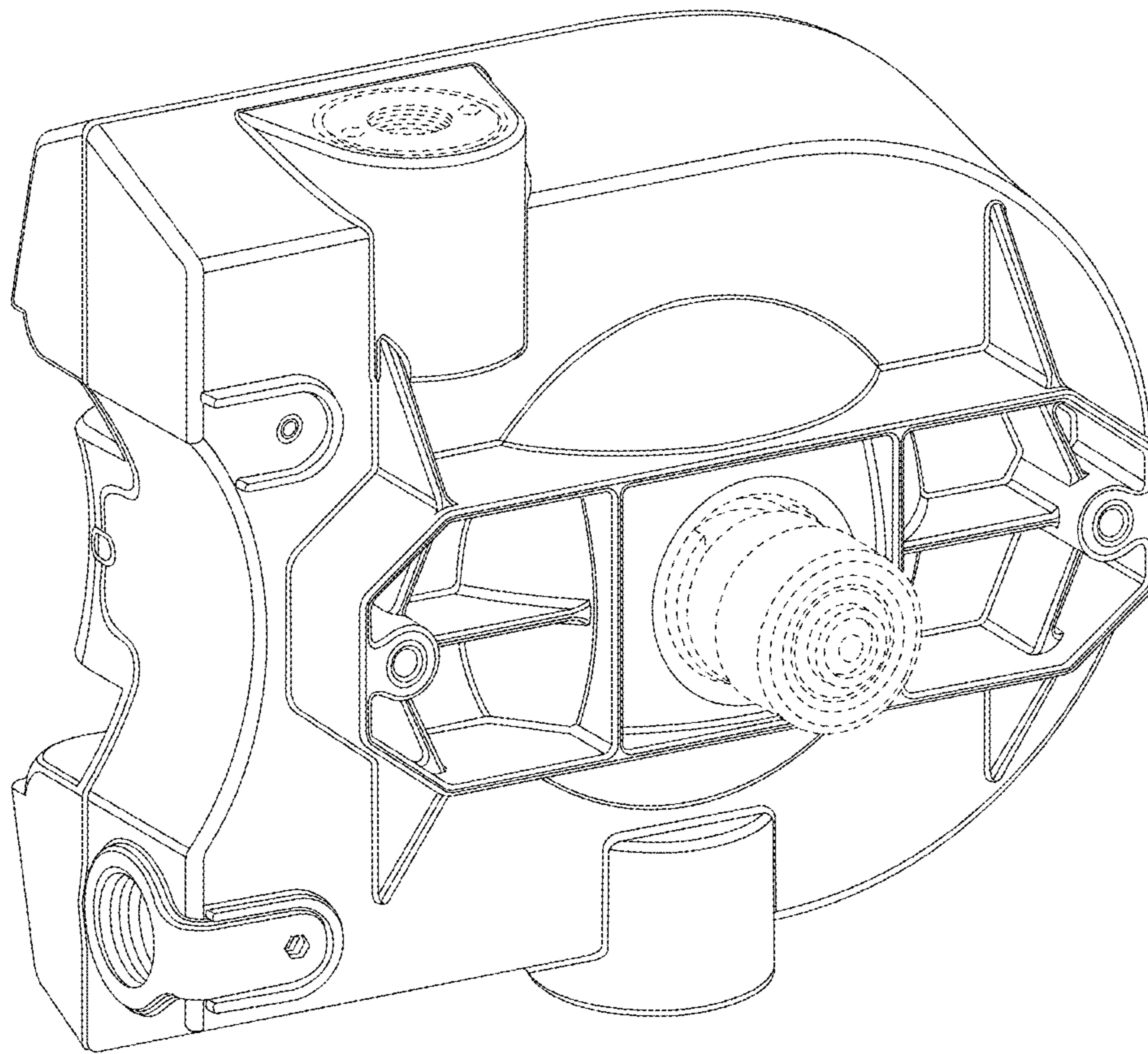


FIG. 6



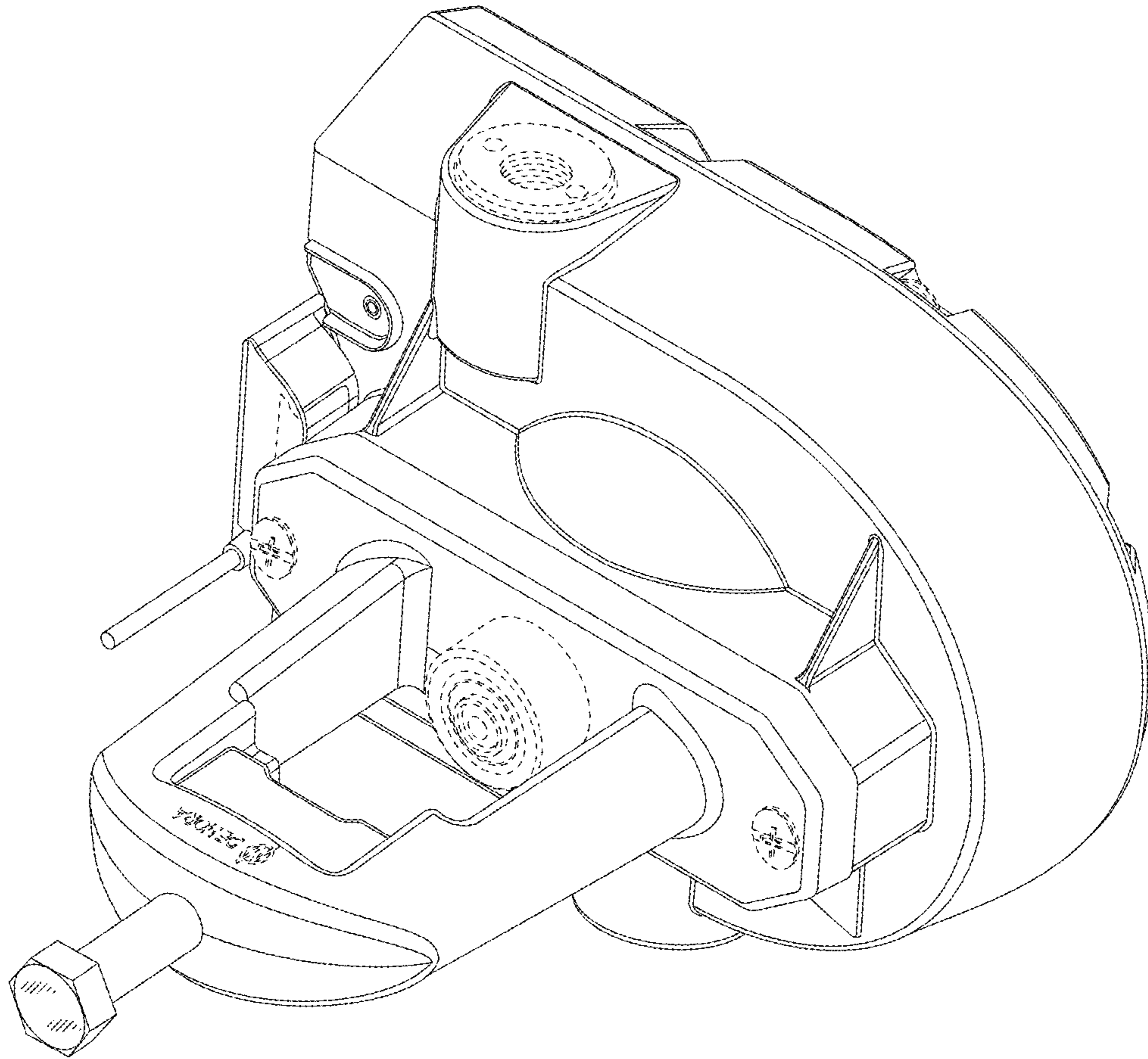


FIG. 7

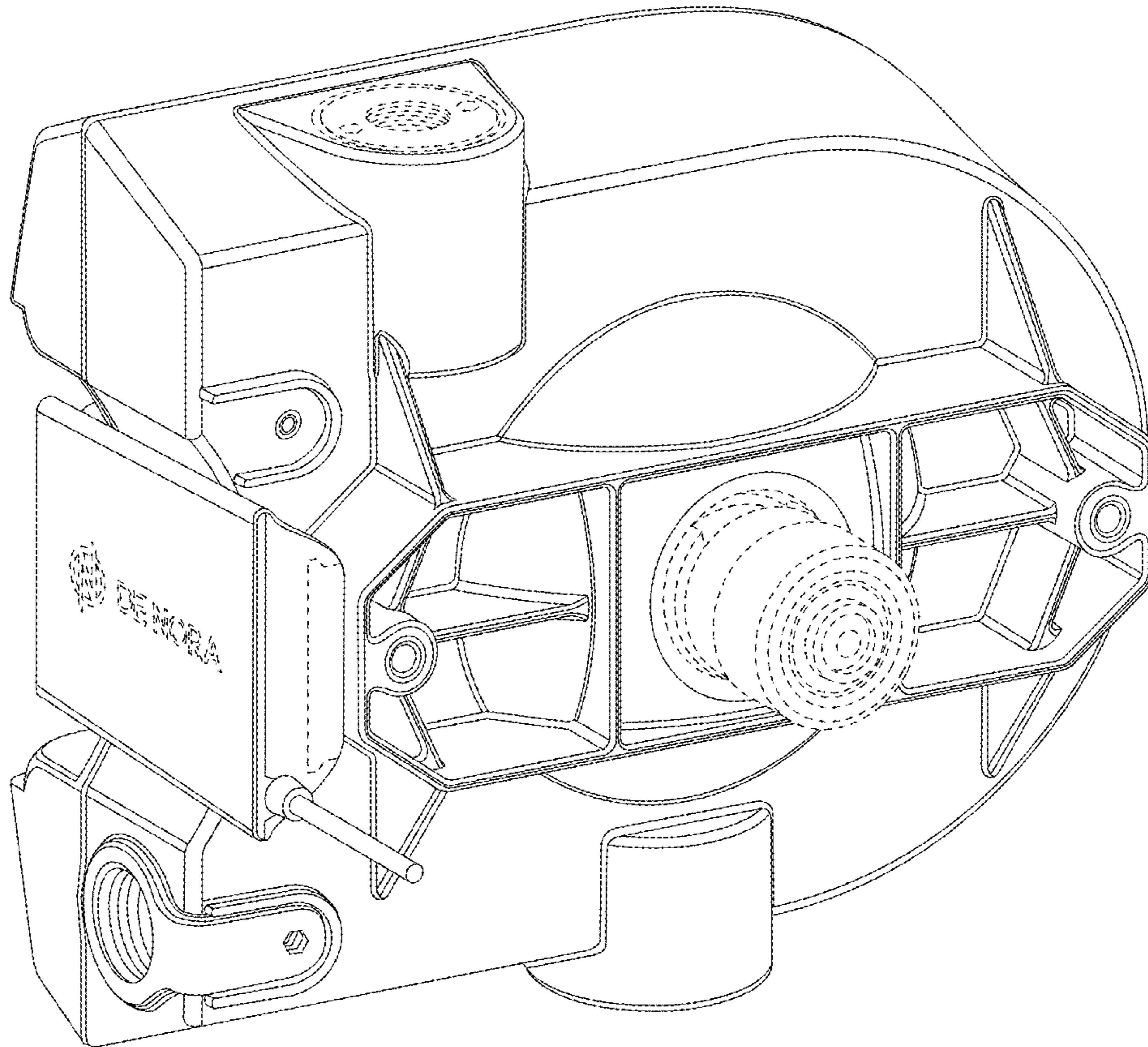


FIG. 8

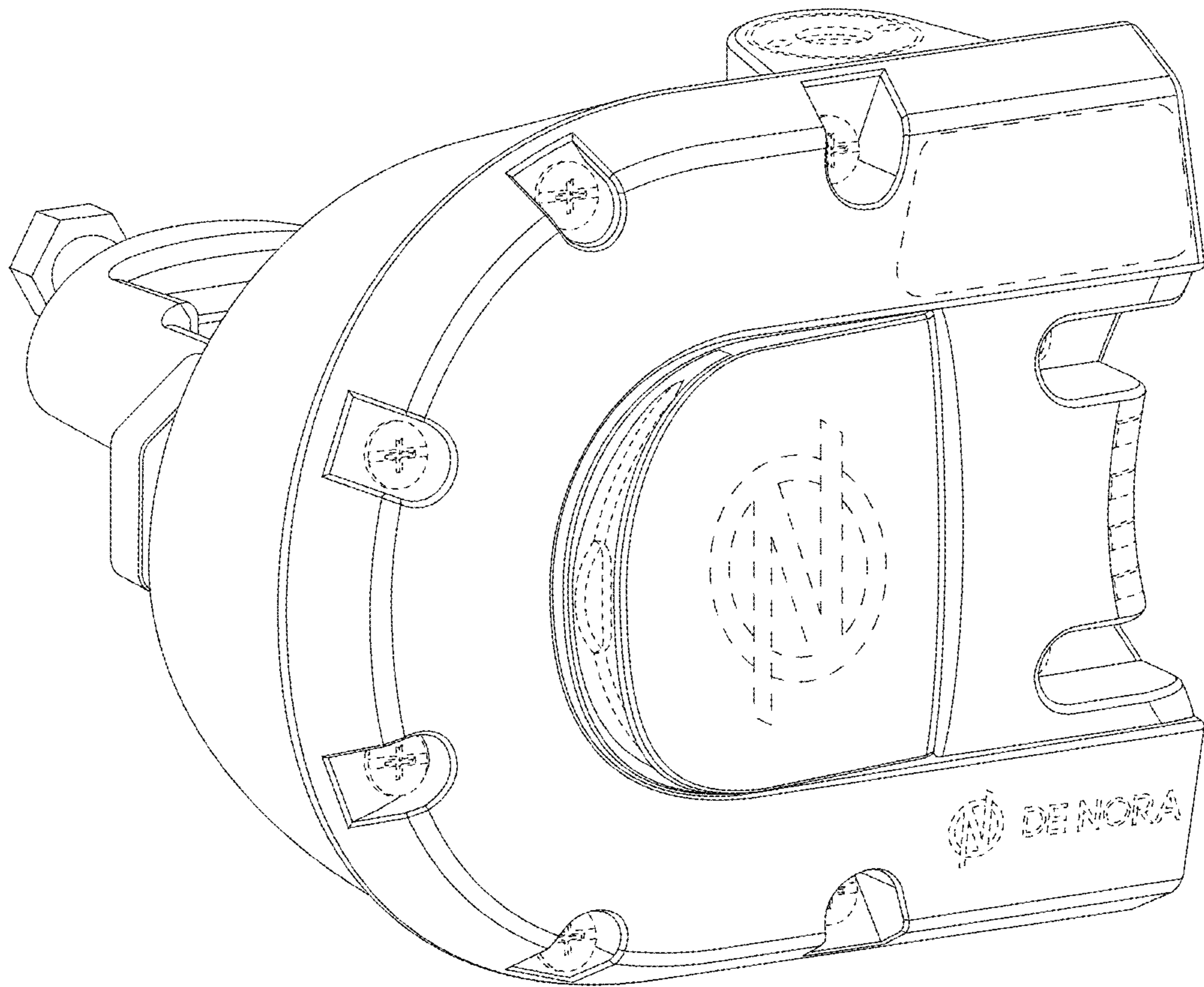


FIG. 9

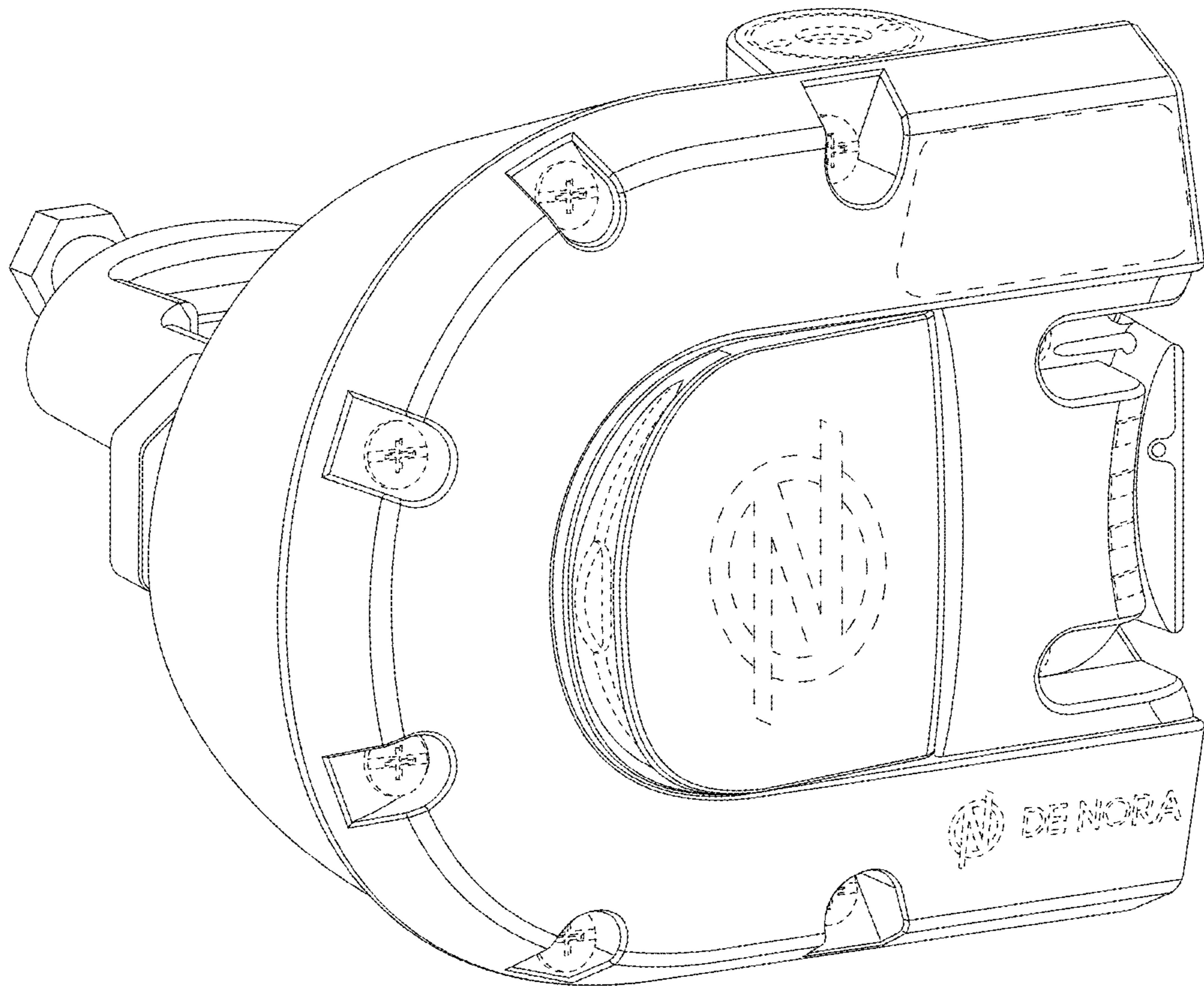


FIG. 10

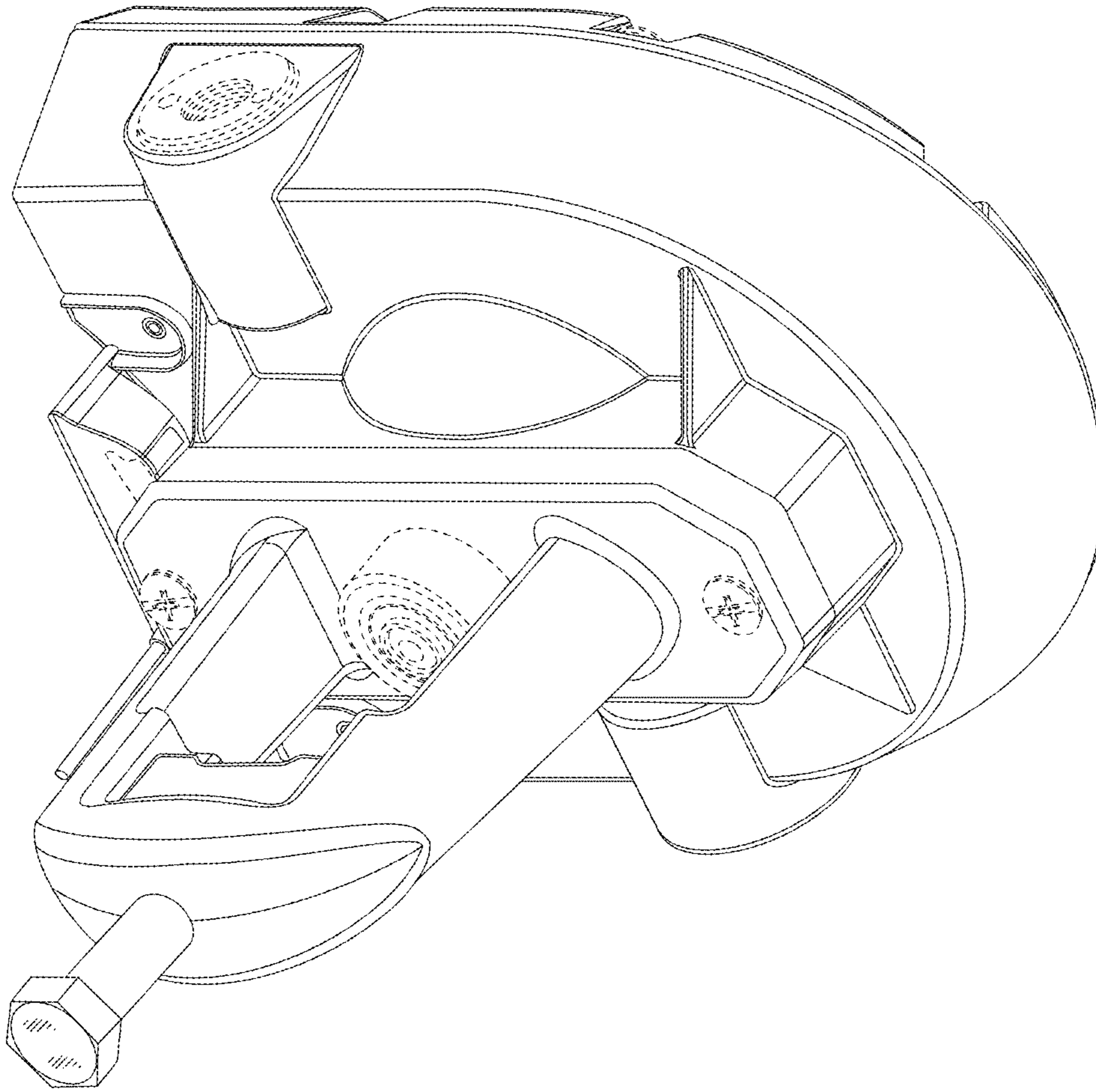


FIG. 11