



US00D856831S

(12) **United States Design Patent** (10) **Patent No.:** **US D856,831 S**  
**Dewey et al.** (45) **Date of Patent:** **\*\* Aug. 20, 2019**

(54) **HANDHELD MAINTENANCE TOOL**

(56) **References Cited**

(71) Applicant: **FISHER-ROSEMOUNT SYSTEMS, INC.**, Round Rock, TX (US)

U.S. PATENT DOCUMENTS

(72) Inventors: **Alan R. Dewey**, Plymouth, MN (US); **Todd M. Toepke**, Eden Prairie, MN (US); **Tom Johnson**, Rosemount, MN (US)

D510,533 S	10/2005	Hoofnagle	
D563,810 S	3/2008	Gershfeld	
8,788,137 B2	7/2014	Bertosa et al.	
D714,171 S	9/2014	Hoofnagle et al.	
D752,460 S	3/2016	Gnauck	
D756,820 S	5/2016	Rekow	
D759,521 S	6/2016	Rekow	
D764,329 S	8/2016	Dewey et al.	
D790,997 S	7/2017	Dewey et al.	
D804,339 S	12/2017	Protti	
D818,857 S	5/2018	Dewey et al.	
2018/0024538 A1*	1/2018	Benson .....	G05B 19/4186 340/539.11
2018/0025304 A1*	1/2018	Fisher .....	G05B 19/042 726/4

(73) Assignee: **FISHER-ROSEMOUNT SYSTEMS, INC.**, Round Rock, TX (US)

(\*\*) Term: **15 Years**

(21) Appl. No.: **29/647,103**

(22) Filed: **May 9, 2018**

(Continued)

*Primary Examiner* — Antoine Duval Davis

(74) *Attorney, Agent, or Firm* — Marshall, Gerstein & Borun LLP

**Related U.S. Application Data**

(60) Continuation of application No. 29/605,247, filed on May 24, 2017, now Pat. No. Des. 818,857, which is a division of application No. 29/571,212, filed on Jul. 15, 2016, now Pat. No. Des. 790,997, which is a continuation of application No. 29/523,409, filed on Apr. 9, 2015, now Pat. No. Des. 764,329.

(57) **CLAIM**

The ornamental design for a handheld maintenance tool, as shown and described.

(51) **LOC (12) Cl.** ..... **10-04**

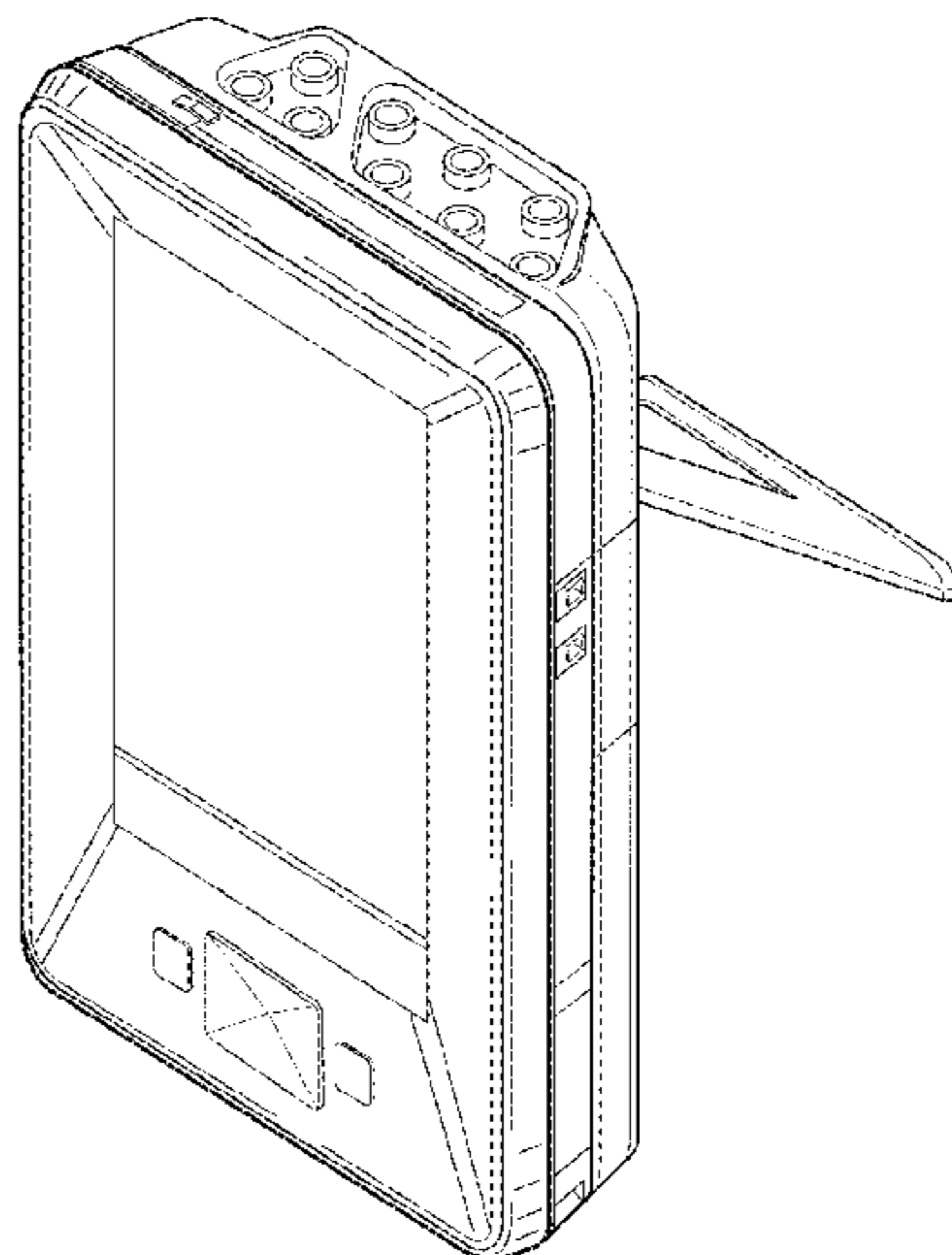
(52) **U.S. Cl.**  
USPC ..... **D10/78; D10/46**

**DESCRIPTION**

(58) **Field of Classification Search**  
USPC ..... D10/46, 75, 76, 77, 78, 86, 84, 85  
CPC ..... G05B 19/0428; G05B 19/409;  
G05B 19/048; G05B 19/4093; G05B  
2219/36159; G05B 2219/23406; G05B  
2219/25428; G05B 2219/24054; G05B  
2219/23244; G05B 2219/24056; G05B  
2219/24058; G05B 2219/24084  
See application file for complete search history.

FIG. 1 is a front, right-side, and top view of a handheld maintenance tool of the inventive design;  
FIG. 2 is a front view of the handheld maintenance tool shown in FIG. 1;  
FIG. 3 is a left-side view of the handheld maintenance tool shown in FIG. 1;  
FIG. 4 is a rear view of the handheld maintenance tool shown in FIG. 1;  
FIG. 5 is a right-side view of the handheld maintenance tool shown in FIG. 1;  
FIG. 6 is a top view of the handheld maintenance tool shown in FIG. 1; and,  
FIG. 7 is a bottom view of the handheld maintenance tool shown in FIG. 1.

**1 Claim, 7 Drawing Sheets**



(56)

**References Cited**

U.S. PATENT DOCUMENTS

2018/0026809 A1\* 1/2018 Benson ..... H04L 12/40039  
370/311

\* cited by examiner

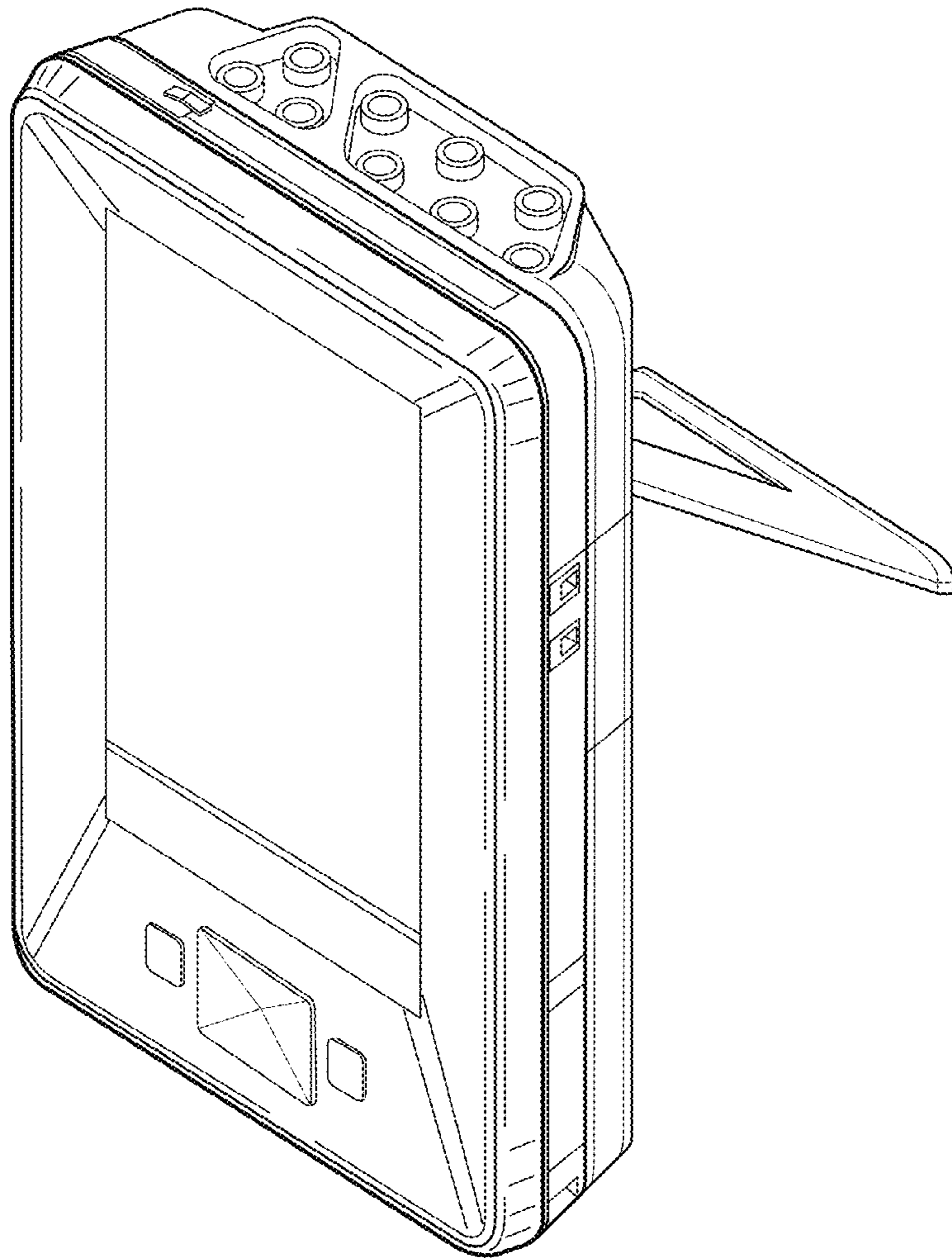


FIG. 1

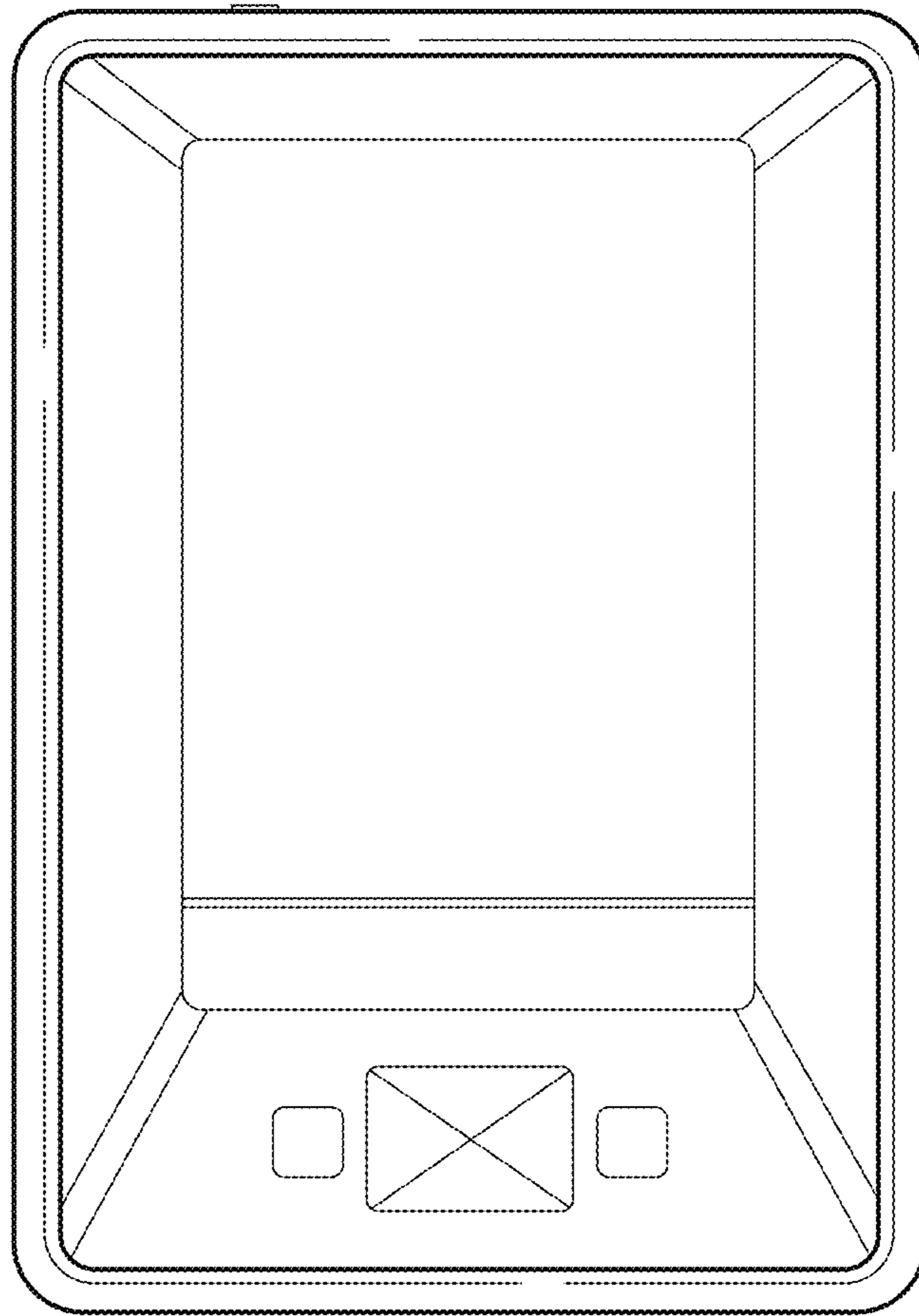


FIG. 2

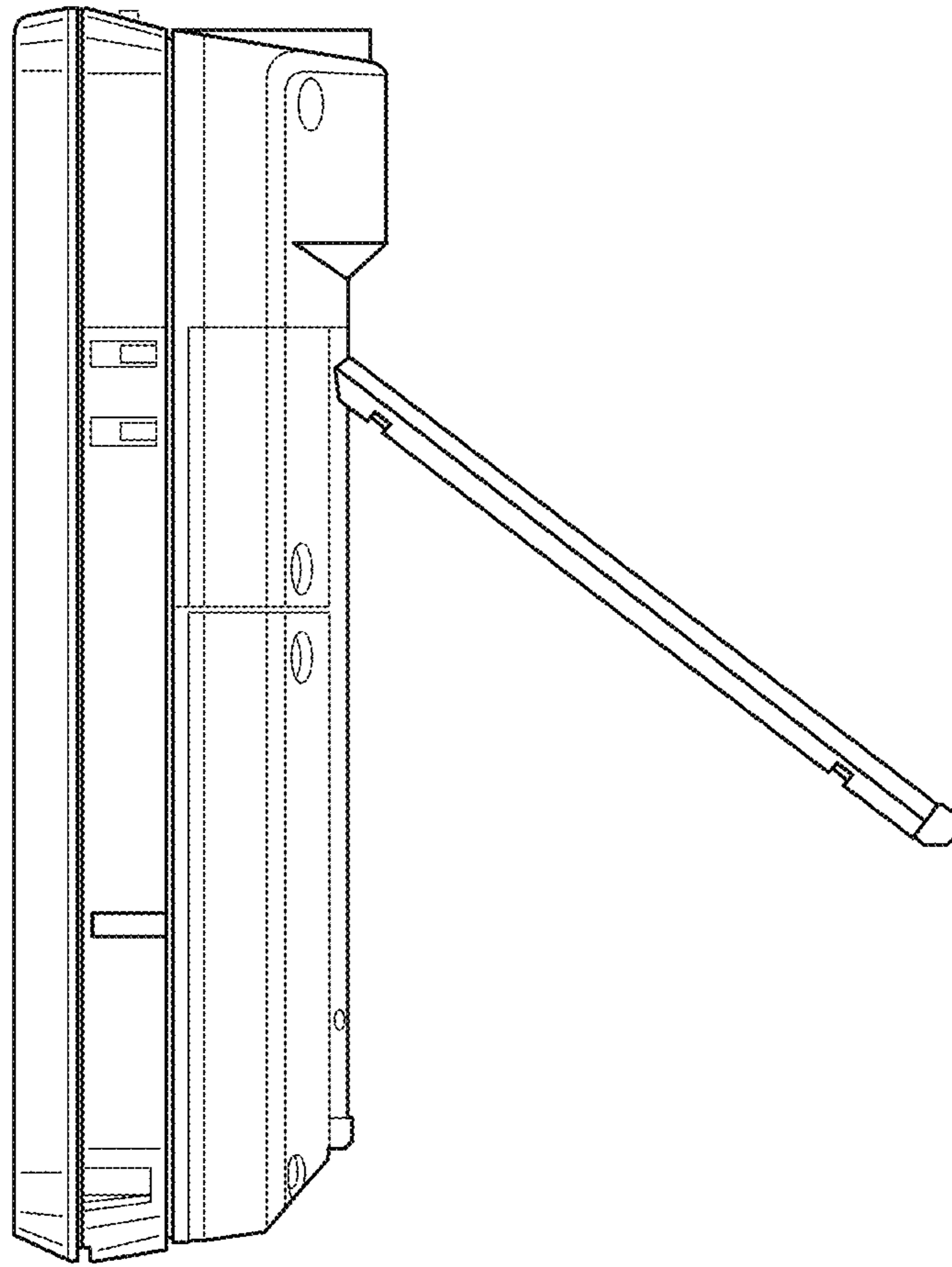


FIG. 3

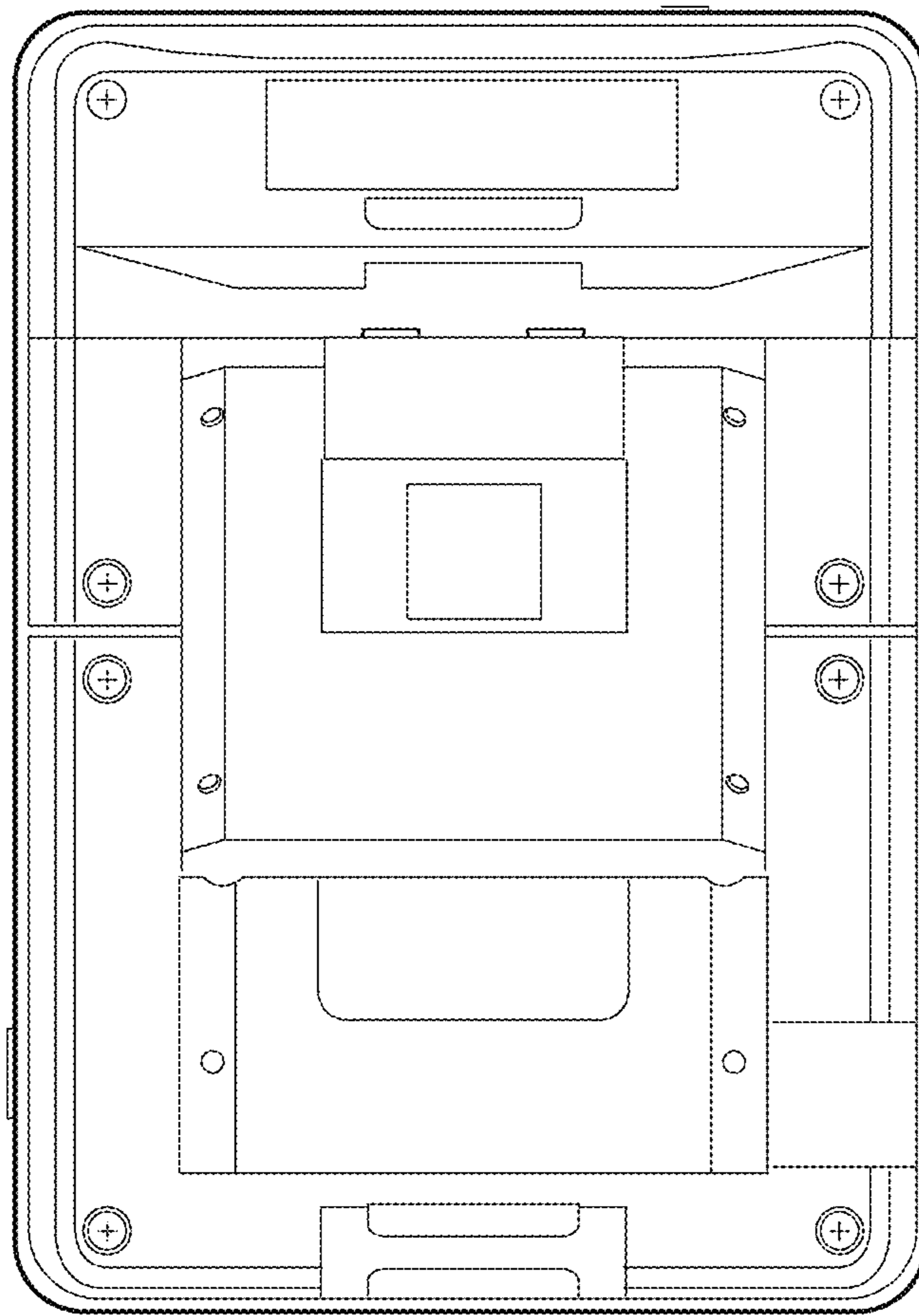


FIG. 4

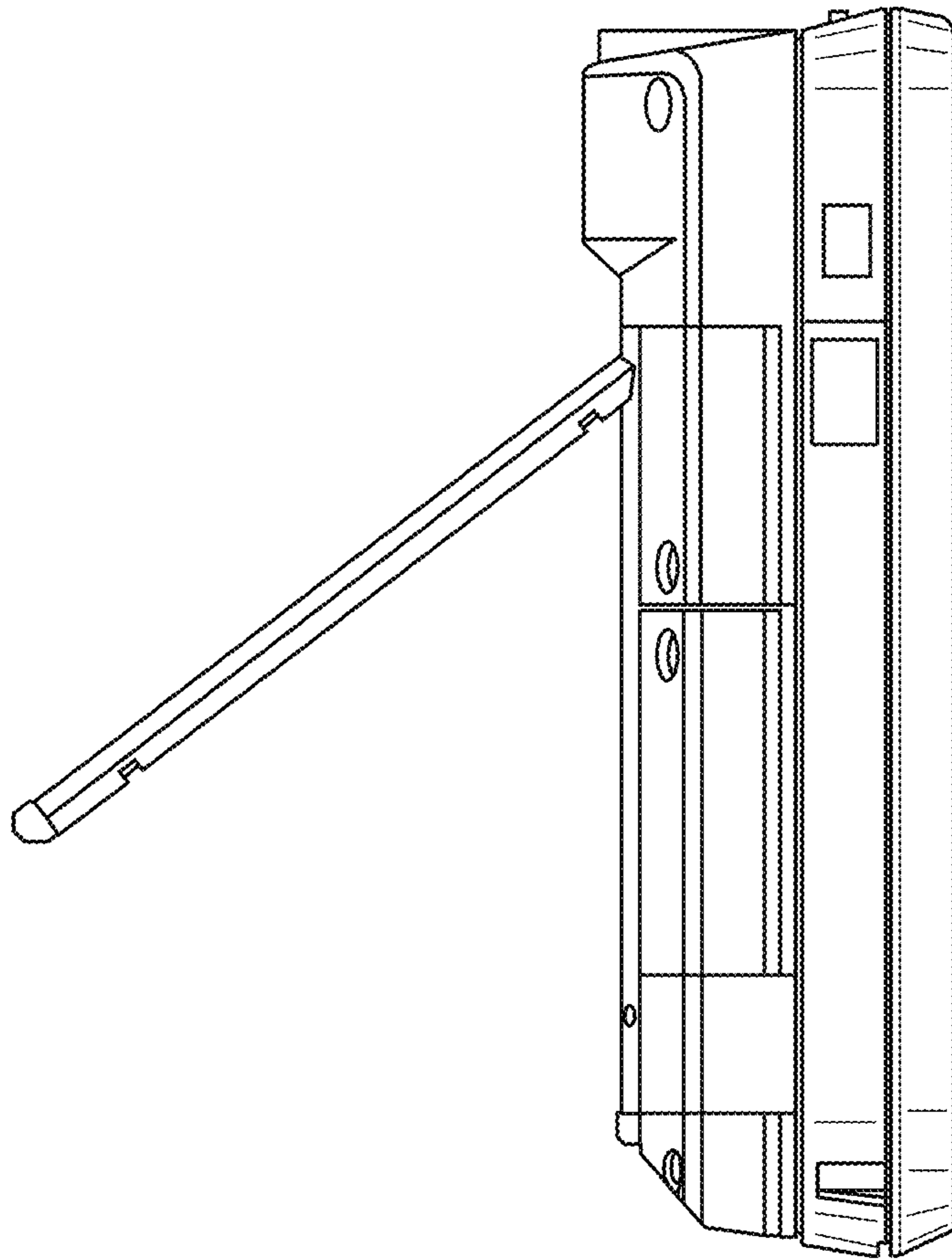


FIG. 5

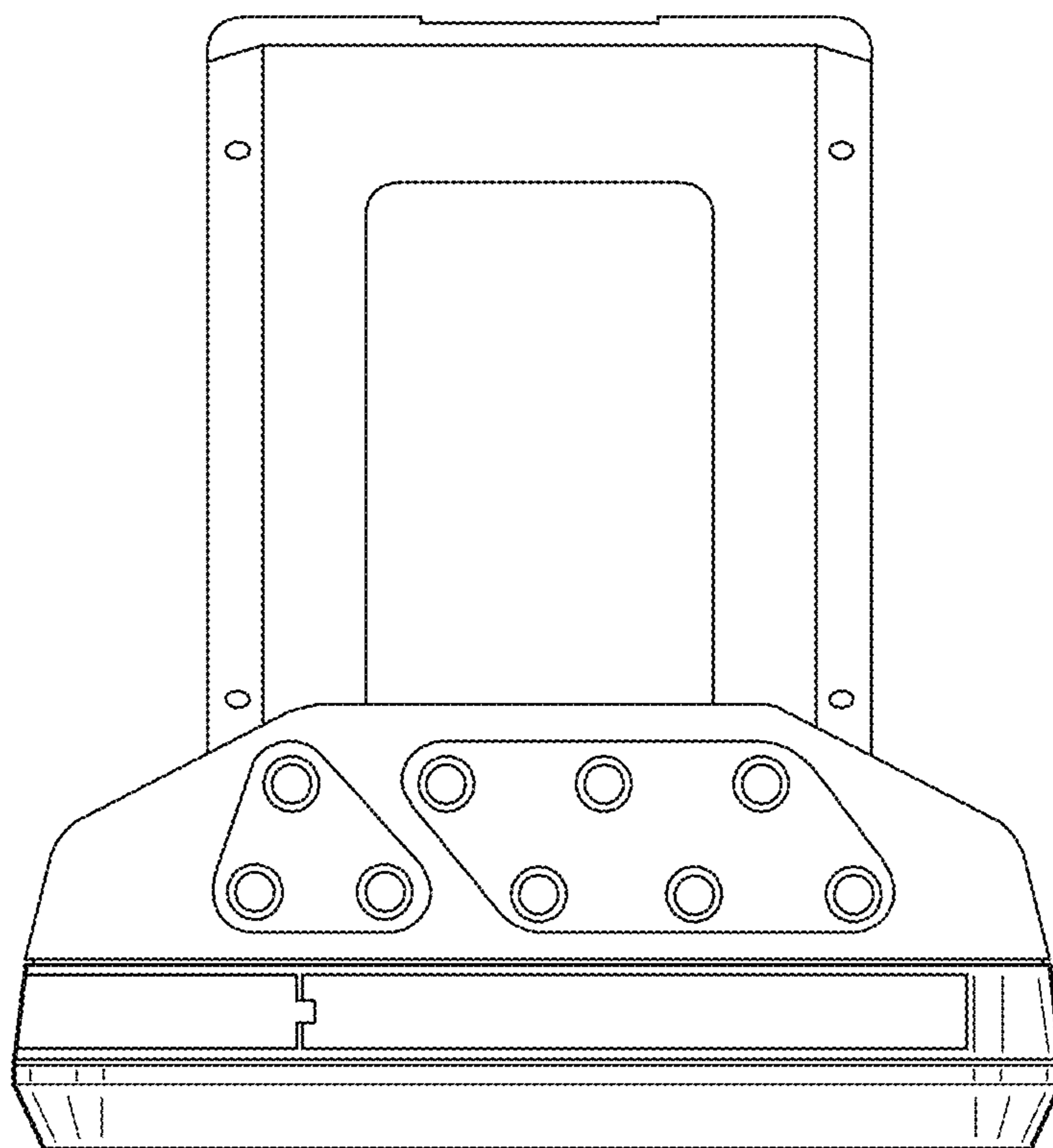


FIG. 6



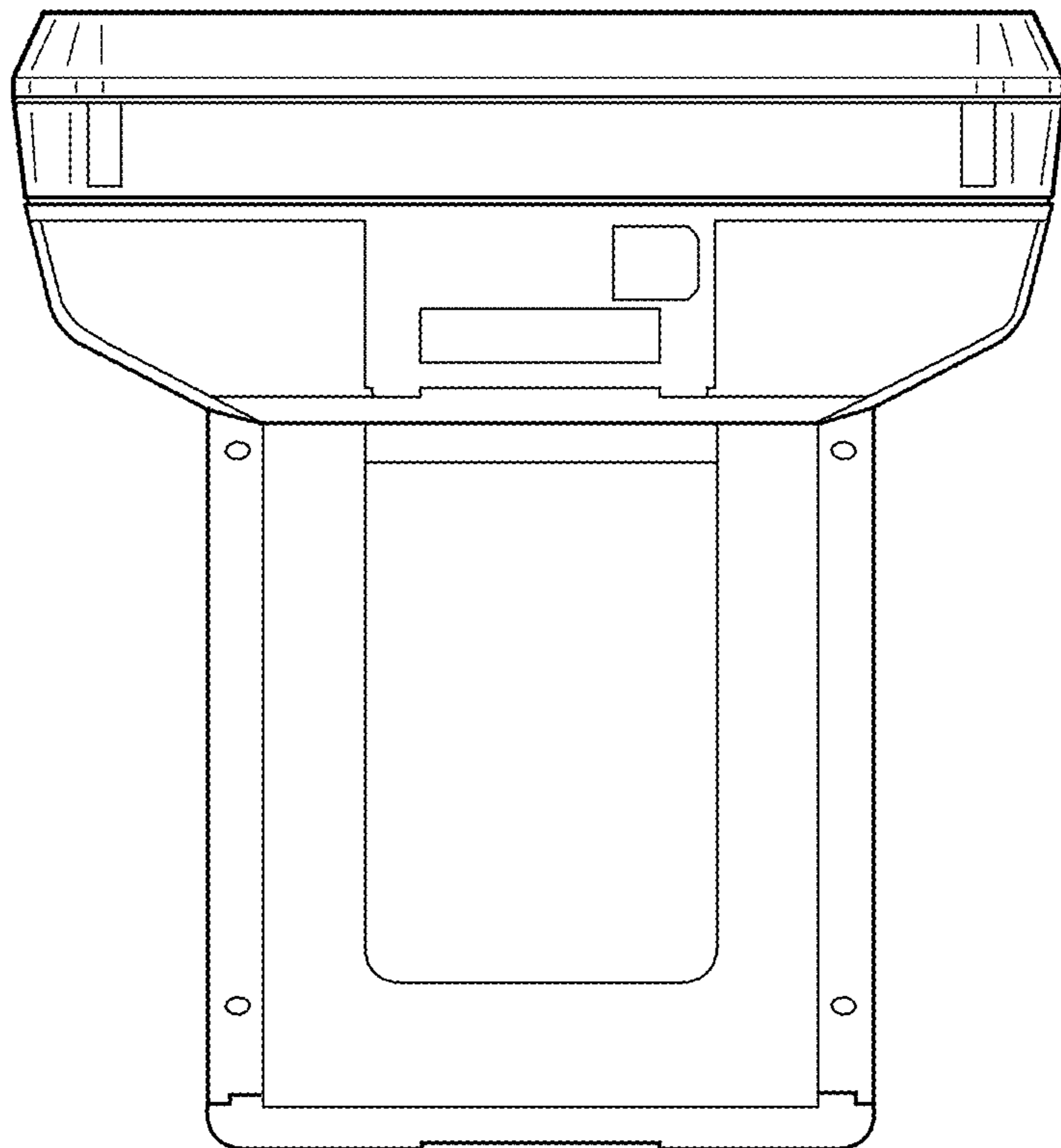


FIG. 7