



US00D856829S

(12) **United States Design Patent**
Corrigan et al.

(10) **Patent No.:** **US D856,829 S**

(45) **Date of Patent:** **** Aug. 20, 2019**

(54) **SHROUDED PROBE FOR THREE-PHASE
POWER TESTER**

(71) Applicant: **Fluke Corporation**, Everett, WA (US)

(72) Inventors: **Christopher D. Corrigan**, Seattle, WA
(US); **Charles E. Marzette, Jr.**,
Kirkland, WA (US)

(73) Assignee: **Fluke Corporation**, Everett, WA (US)

(**) Term: **15 Years**

(21) Appl. No.: **29/637,766**

(22) Filed: **Feb. 21, 2018**

(51) **LOC (12) Cl.** **10-04**

(52) **U.S. Cl.**
USPC **D10/78**

(58) **Field of Classification Search**
USPC D10/78, 80

CPC G01R 1/06; G01R 1/067; G01R 1/06705;
G01R 1/06711; G01R 1/06716; G01R
1/06722; G01R 1/06727; G01R 1/06733;
G01R 1/06738; G01R 1/06744; G01R
1/0675; G01R 1/06766; G01R 1/06772;
G01R 1/06777; G01R 1/06783; G01R
1/06788; G01R 1/06794; G01R 1/07;
G01R 1/071; G01R 1/072; G01R 3/00;
G01R 31/2886; G01R 31/2887; G01R
31/2889; G01R 31/2891; H01R 2201/20

See application file for complete search history.

(56) **References Cited**

U.S. PATENT DOCUMENTS

D739,278 S * 9/2015 Payne D10/78

* cited by examiner

Primary Examiner — Antoine Duval Davis

(74) *Attorney, Agent, or Firm* — Seed Intellectual
Property Law Group LLP

(57) **CLAIM**

The ornamental design for a shrouded probe for a three-
phase power tester, as shown and described.

DESCRIPTION

FIG. 1 is a top, front left perspective view of a shrouded
probe for a three-phase power tester showing our new
design.

FIG. 2 is a bottom, rear right perspective view thereof.

FIG. 3 is a left side elevation view thereof.

FIG. 4 is a top plan view thereof.

FIG. 5 is a bottom plan view thereof.

FIG. 6 is a right side elevation view thereof.

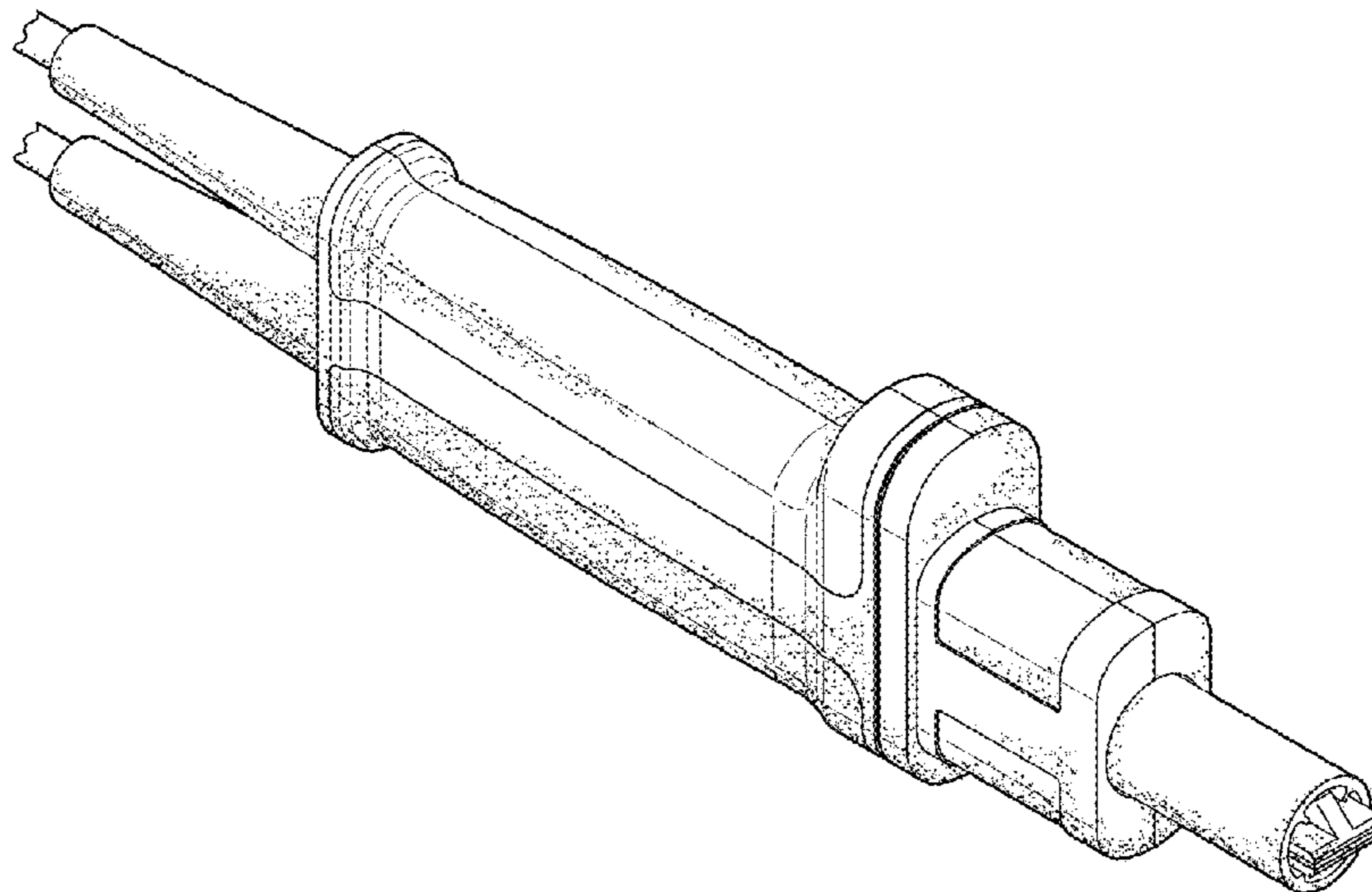
FIG. 7 is a front elevation view thereof.

FIG. 8 is a rear elevation view thereof; and,

FIG. 9 is a top, front left perspective view of the shrouded
probe shown in FIG. 1, with the shroud around the probe tip
at least partially retracted.

The broken lines in the figures illustrate environment only
and form no part of the claimed design. The article is shown
with a symbolic break in its length and width. The appear-
ance of any portion of the article beyond the break lines
forms no part of the claimed design.

1 Claim, 7 Drawing Sheets



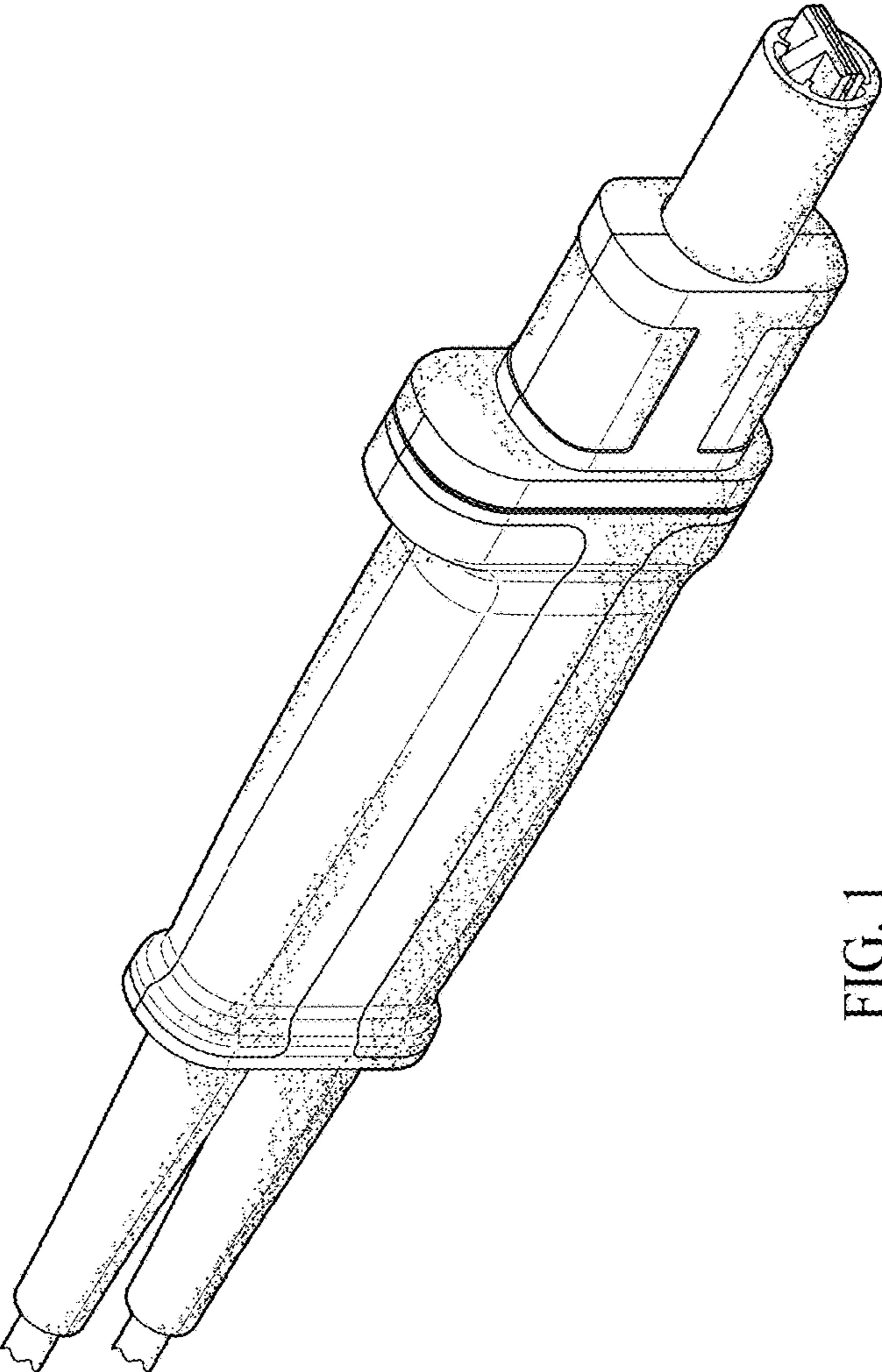


FIG. 1

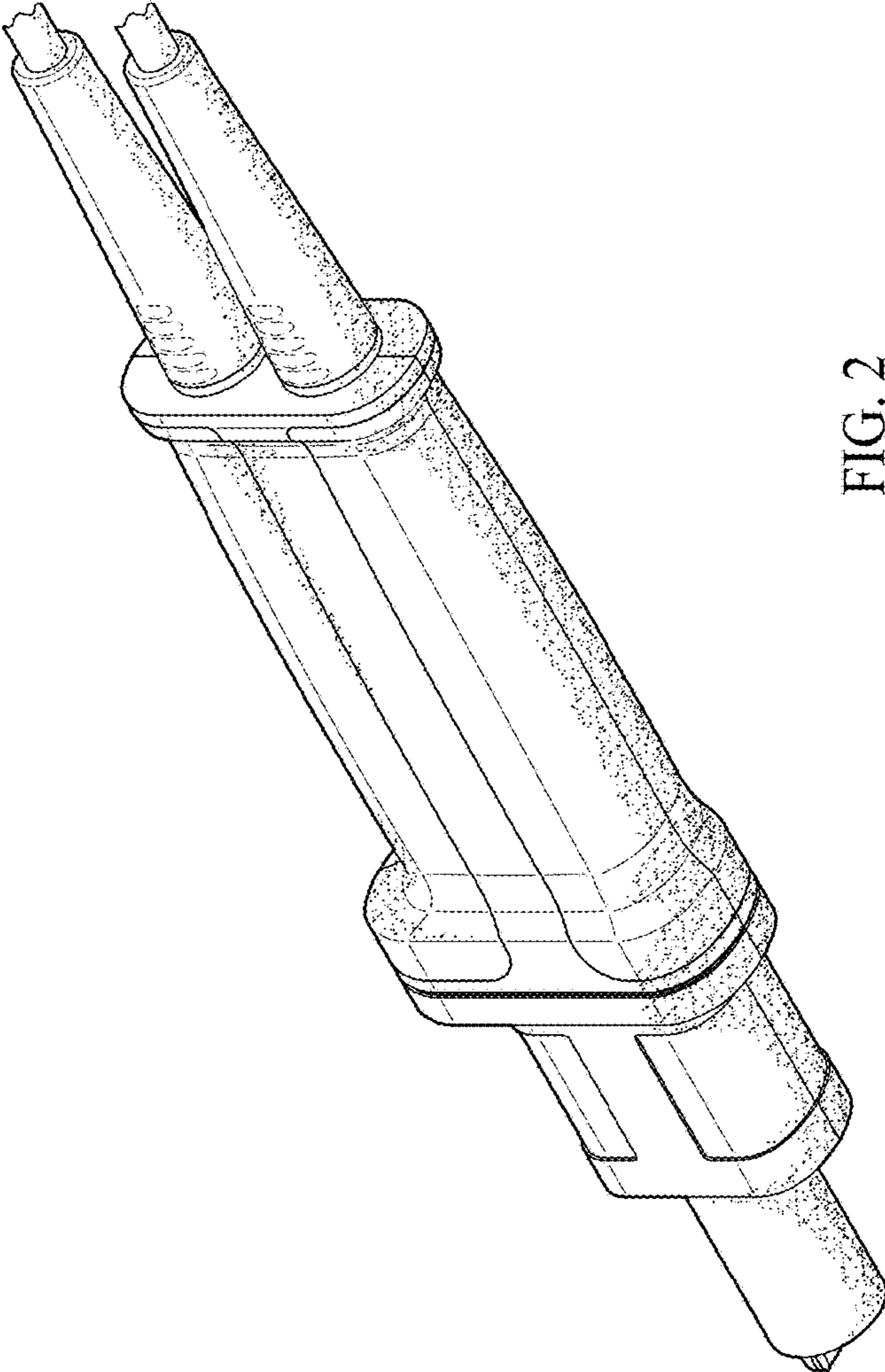


FIG. 2

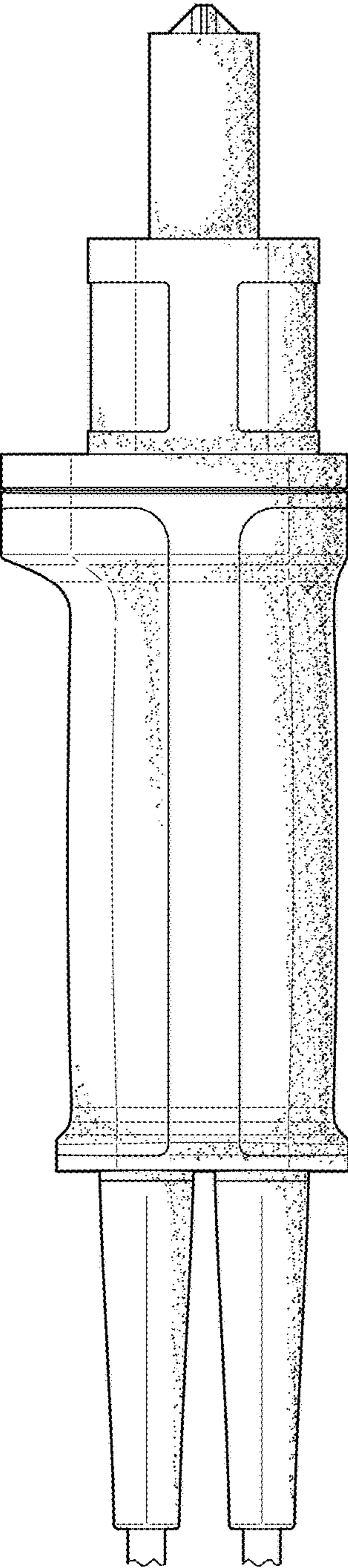


FIG. 3

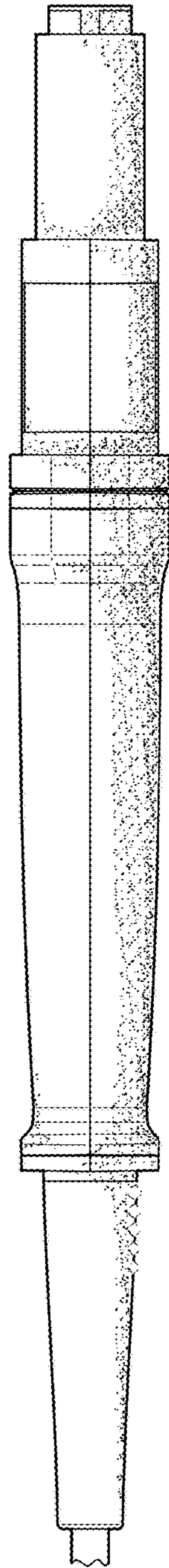


FIG. 4

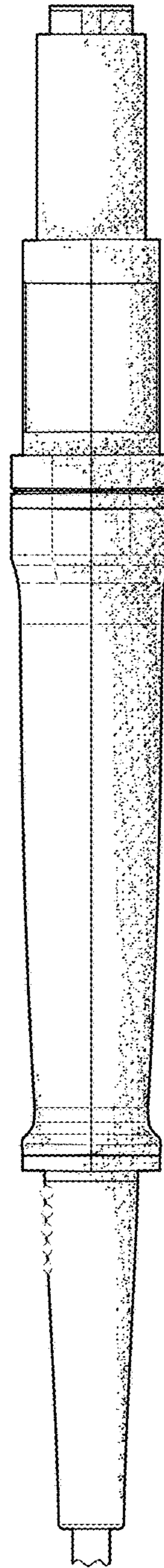


FIG. 5

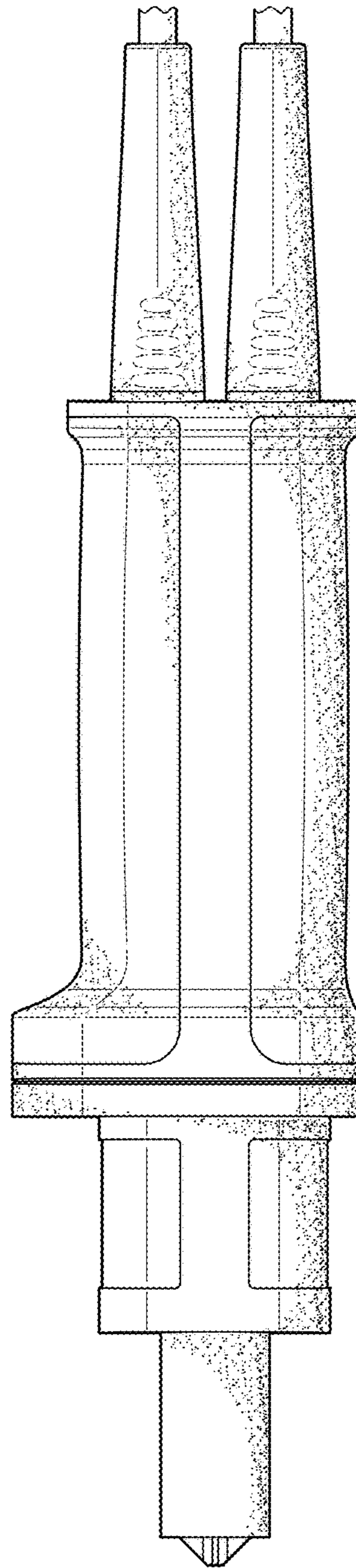


FIG. 6

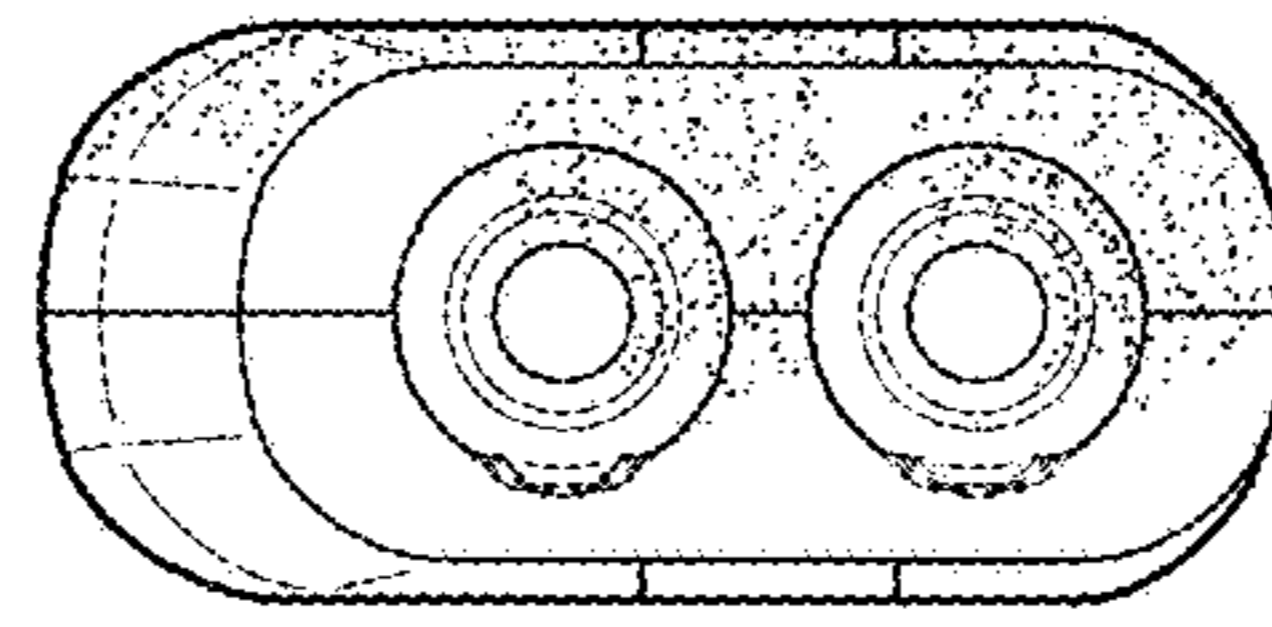


FIG. 8

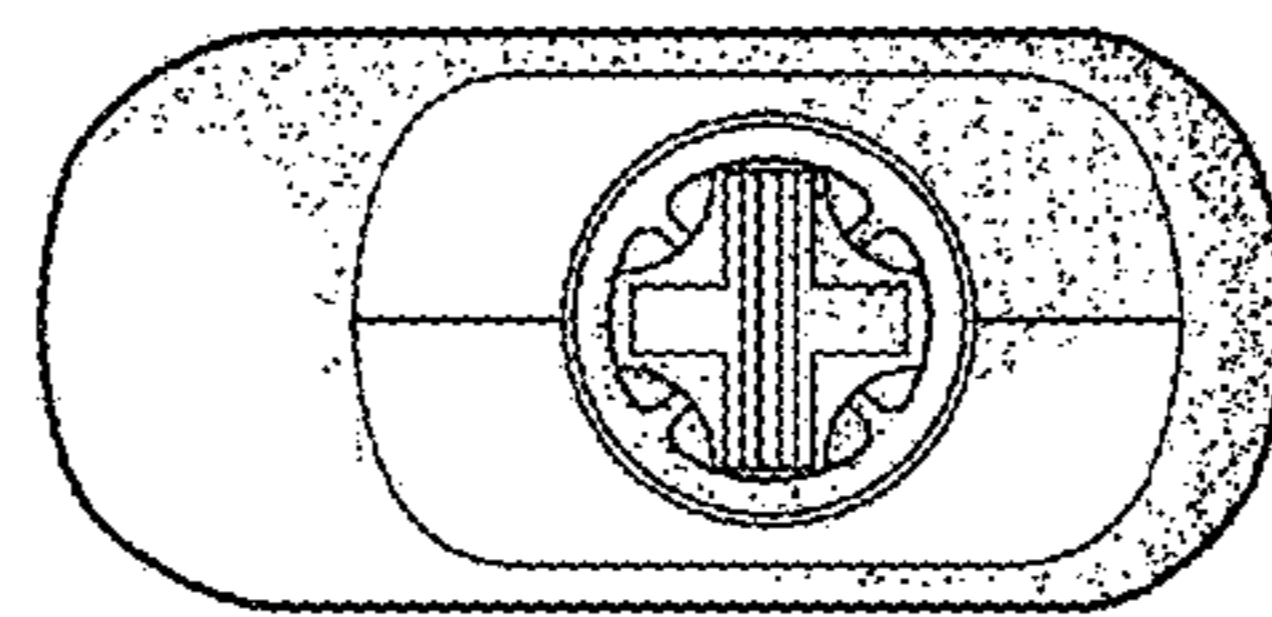


FIG. 7

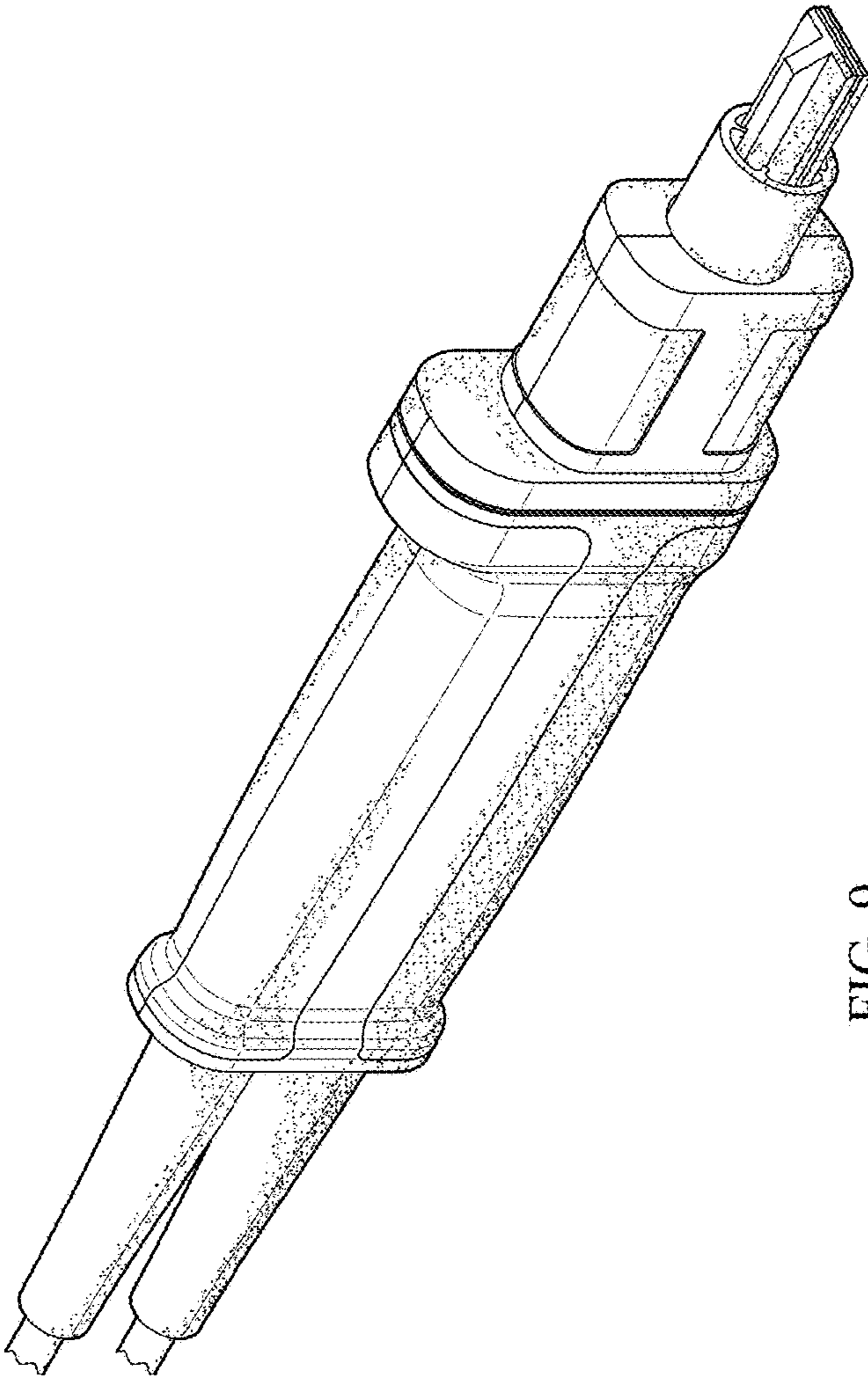


FIG. 9