



US00D856825S

(12) **United States Design Patent**  
**Ireland et al.**

(10) **Patent No.:** **US D856,825 S**

(45) **Date of Patent:** **\*\* Aug. 20, 2019**

(54) **PARKING METER**

6,081,205 A \* 6/2000 Williams ..... B60L 3/0069  
235/381

(71) Applicant: **Global Integrated Solutions Limited,**  
Albany (NZ)

D445,124 S \* 7/2001 Naito ..... D18/3.3  
6,309,098 B1 \* 10/2001 Wong ..... G07F 17/24  
194/205

(72) Inventors: **Andrew Peter Ireland,** Christchurch  
(NZ); **Michael Craig Shatford,**  
Churchchrist (NZ)

(Continued)

(73) Assignee: **Global Integrated Solutions Limited,**  
Albany (NZ)

**OTHER PUBLICATIONS**

Pay by Plate Parking Meter | posted at at.govt.nz n.d. Copyright ©  
2018 Auckland Transport [online][site visited May 31, 2018].  
Available from internet: <https://at.govt.nz/driving-parking/paying-  
for-parking/> (Year: 2018).\*

(\*\*) Term: **15 Years**

(Continued)

(21) Appl. No.: **29/570,171**

*Primary Examiner* — Sandra S Snapp

(22) Filed: **Jul. 6, 2016**

*Assistant Examiner* — Katherine Glennon

(30) **Foreign Application Priority Data**

(74) *Attorney, Agent, or Firm* — Sandberg Phoenix & von  
Gontard, P.C.

Jan. 8, 2016 (NZ) ..... 421089

(51) **LOC (12) Cl.** ..... **10-03**

(52) **U.S. Cl.**  
USPC ..... **D10/42**

(58) **Field of Classification Search**  
USPC ..... D10/30-39, 42, 122-124, 126, 128;  
D11/3; D14/344; D99/28, 99; D24/167,  
D24/186

See application file for complete search history.

(57) **CLAIM**

The ornamental design for parking meter, as shown and  
described.

(56) **References Cited**

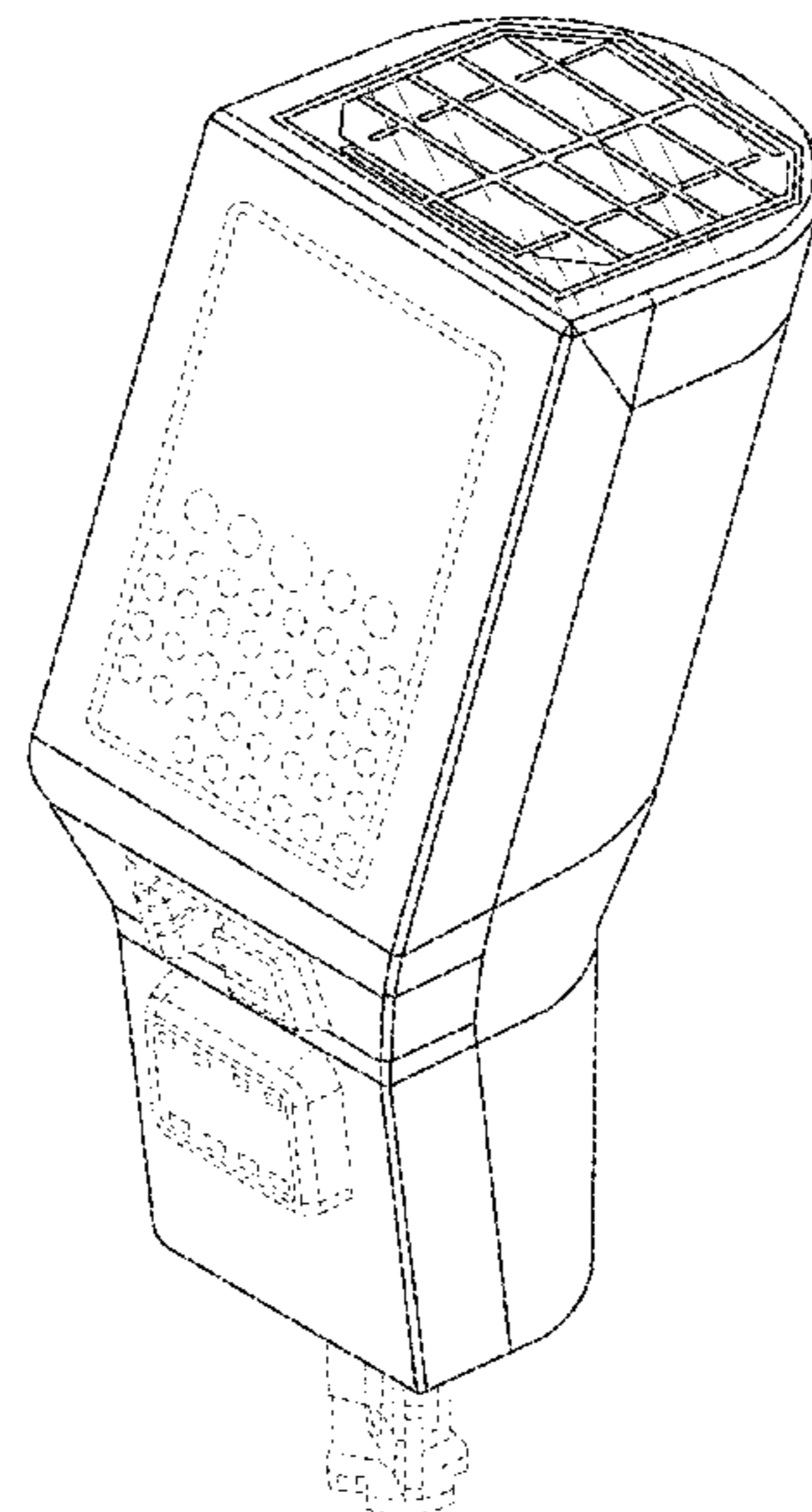
**U.S. PATENT DOCUMENTS**

D116,805 S \* 9/1939 Reznek ..... D10/42  
D154,716 S \* 8/1949 Simpson ..... D10/42  
D156,606 S \* 12/1949 Conrad ..... D10/42  
4,031,991 A \* 6/1977 Malott ..... G07F 17/24  
194/217  
5,732,812 A \* 3/1998 Grainger ..... G07F 17/24  
194/217

**DESCRIPTION**

FIG. 1 is a front perspective view of the parking meter;  
FIG. 2 is a bottom perspective view of the parking meter;  
FIG. 3 is a rear perspective view of the parking meter;  
FIG. 4 is a front elevational view of the parking meter;  
FIG. 5 is a rear elevational view of the parking meter;  
FIG. 6 is a side elevational view of the parking meter, the  
right and left sides being mirror images of each other;  
FIG. 7 is a top plan view of the parking meter;  
FIG. 8 is a bottom plan view of the parking meter; and,  
FIG. 9 is front perspective view showing the parking meter  
positioned on a post, the post being shown in phantom.  
The phantom lines in the drawings illustrate environmental  
structure that forms no part of the claimed design.

**1 Claim, 8 Drawing Sheets**



(56)

**References Cited**

## U.S. PATENT DOCUMENTS

D461,728 S \* 8/2002 Tuxen ..... D10/42  
D579,795 S \* 11/2008 Martinez ..... D10/42  
D654,816 S \* 2/2012 MacKay ..... D10/122  
D673,345 S \* 12/2012 Pendleton ..... D6/703  
D716,157 S \* 10/2014 MacKay ..... D10/42  
D739,639 S \* 9/2015 Randall ..... D99/28  
D762,040 S \* 7/2016 King ..... D99/28  
9,424,708 B2 \* 8/2016 Sun ..... G07F 1/046  
D791,621 S \* 7/2017 Loye ..... D10/42  
D792,788 S \* 7/2017 MacKay ..... D10/42  
D797,658 S \* 9/2017 Feller ..... D13/102  
9,842,455 B2 \* 12/2017 MacKay ..... G07F 17/248  
D813,059 S \* 3/2018 MacKay ..... D10/42  
2012/0292385 A1 \* 11/2012 MacKay ..... G07F 17/248  
235/375  
2017/0193716 A1 \* 7/2017 Wittliff, III ..... G07C 5/0841

## OTHER PUBLICATIONS

MacKay Meters Wireless Meter | mackaymeters.com n.d. Copyright 2017 by J.J. MacKay [online]site visited May 31, 2018]. Available from Internet: <<http://www.mackaymeters.com/products/singlespace.aspx>> (Year: 2017).\*

\* cited by examiner

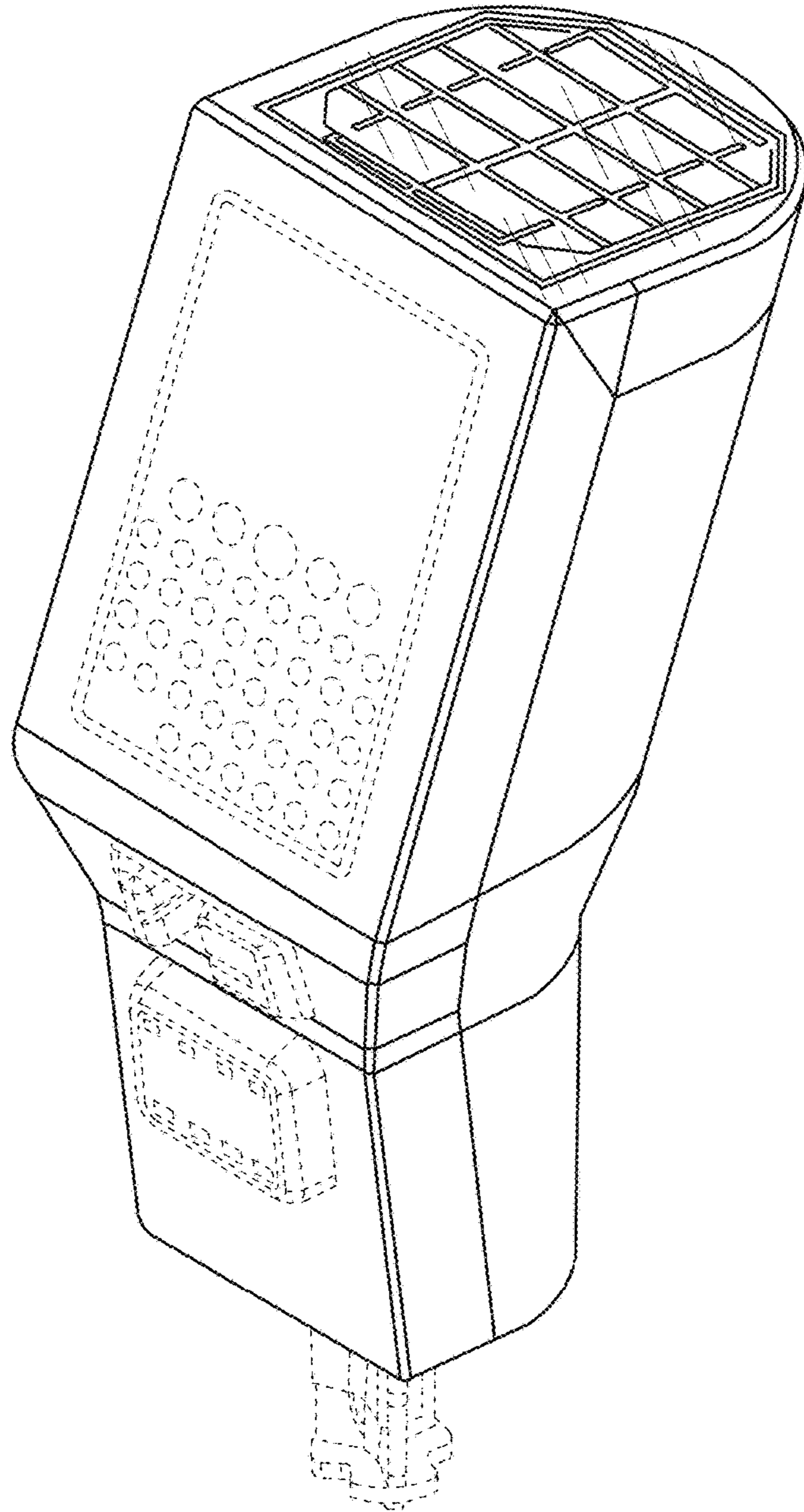


FIG. 1

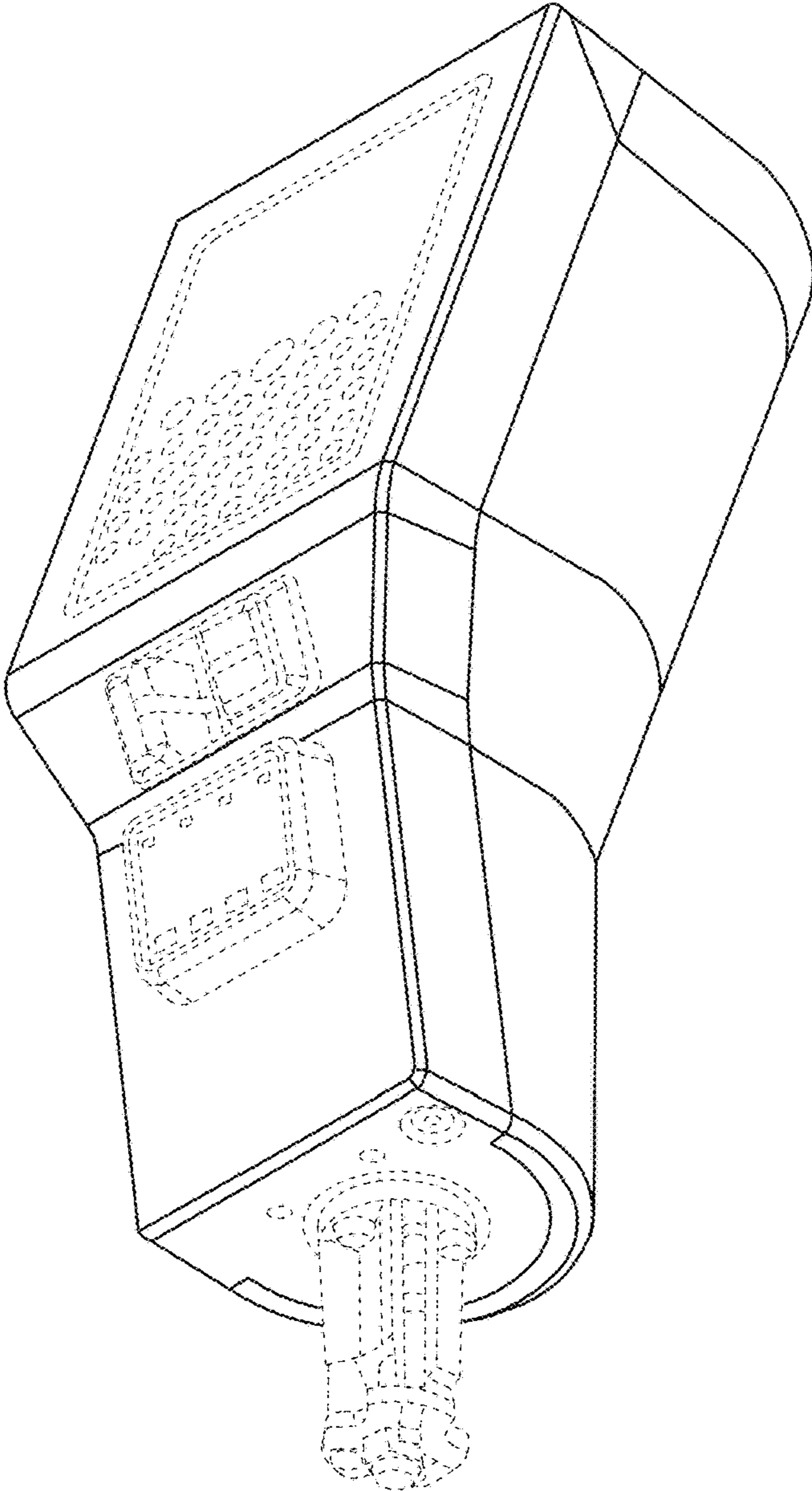


FIG. 2

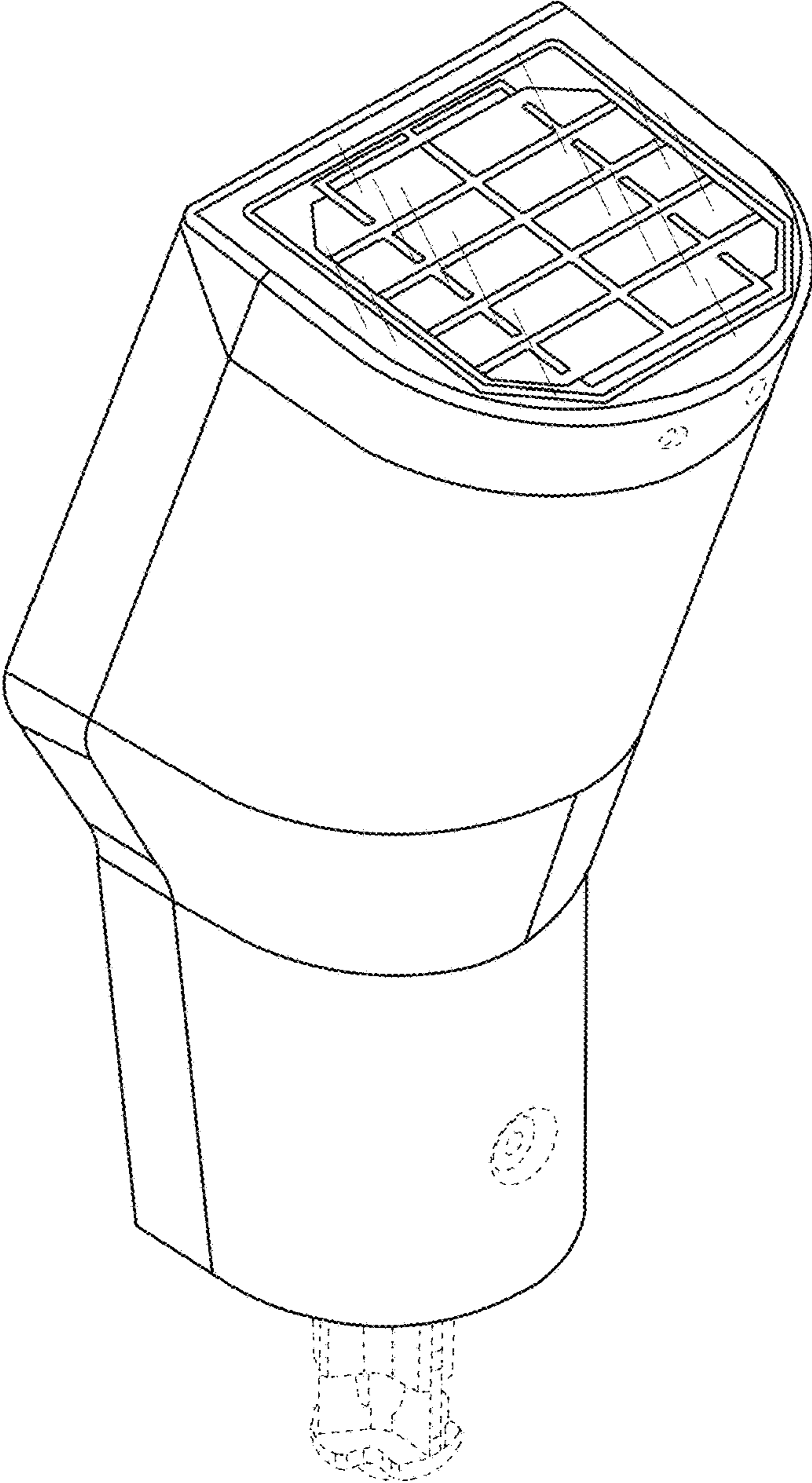


FIG. 3

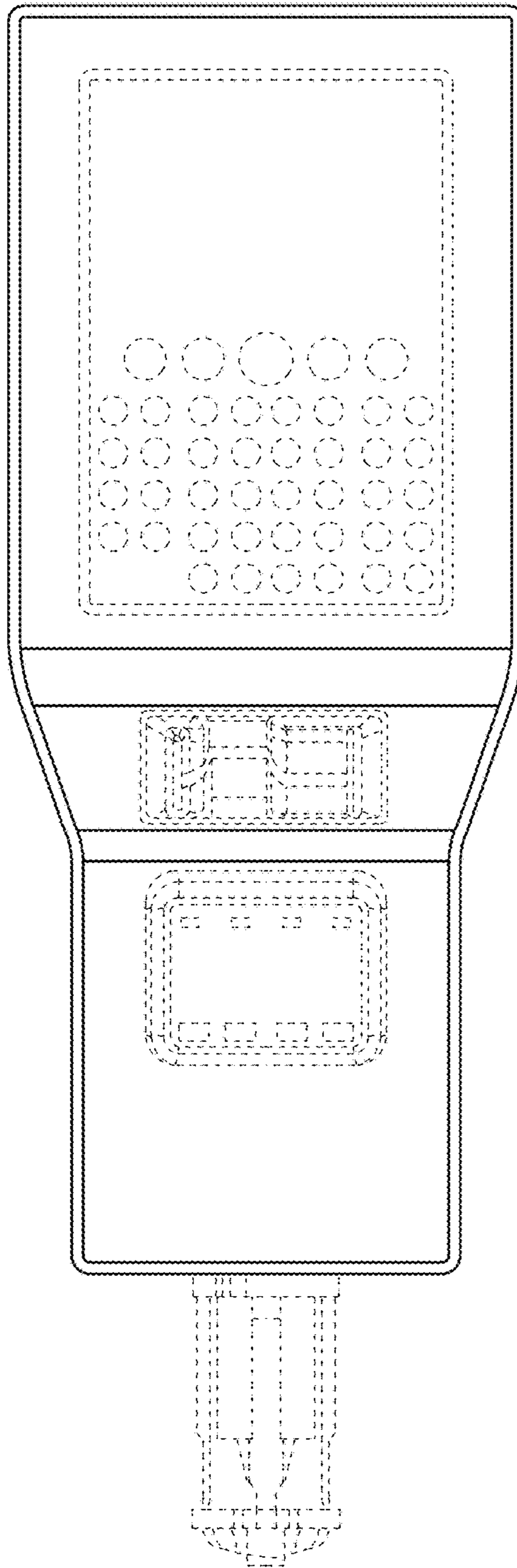


FIG. 4

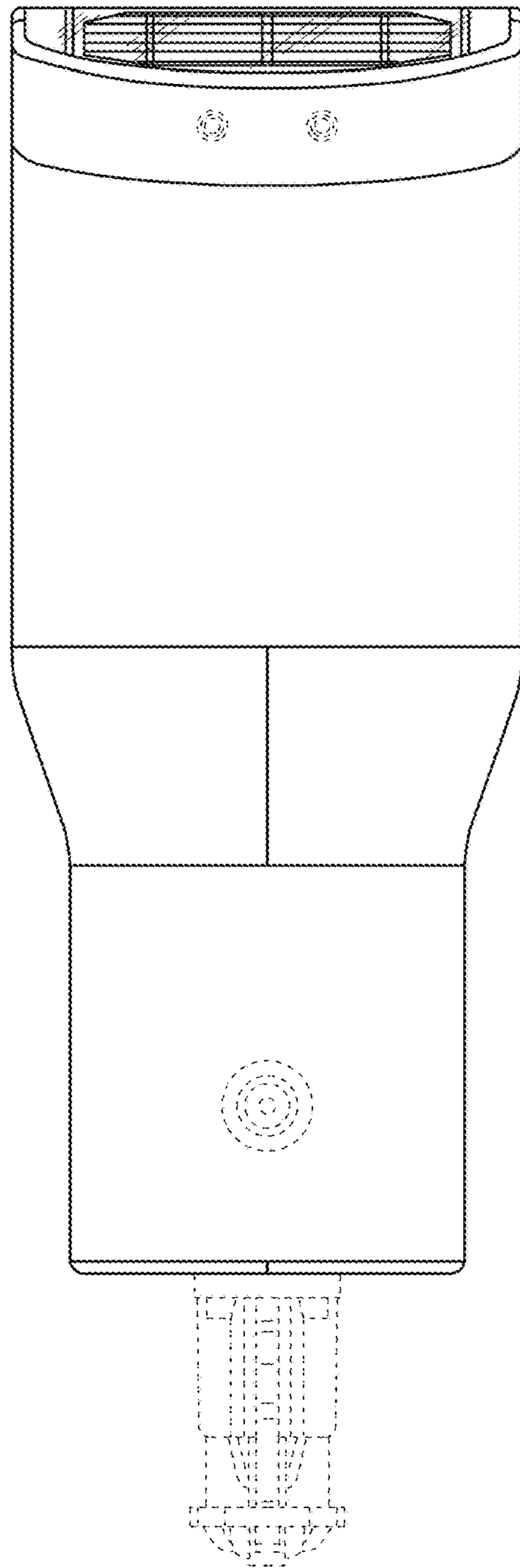


FIG. 5

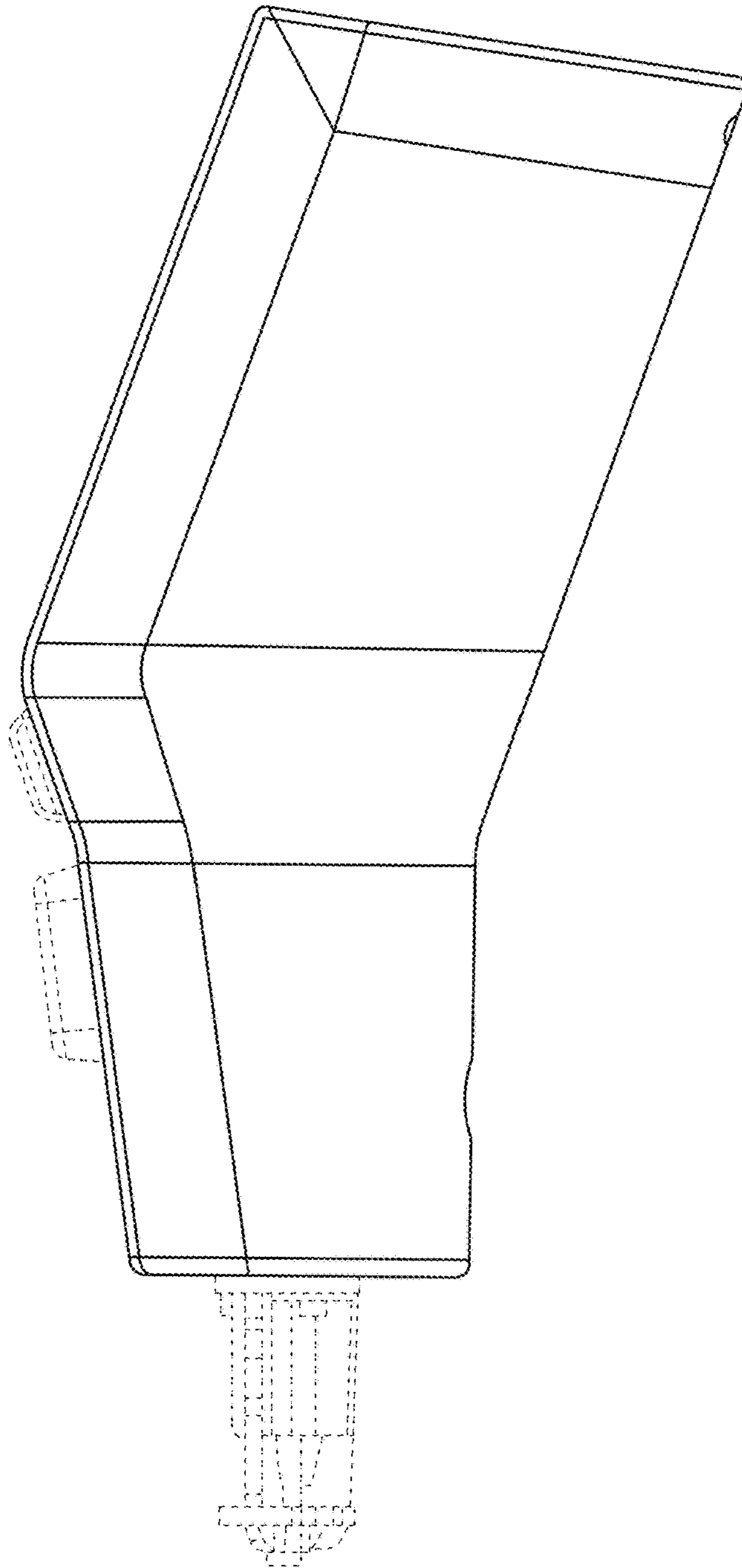


FIG. 6



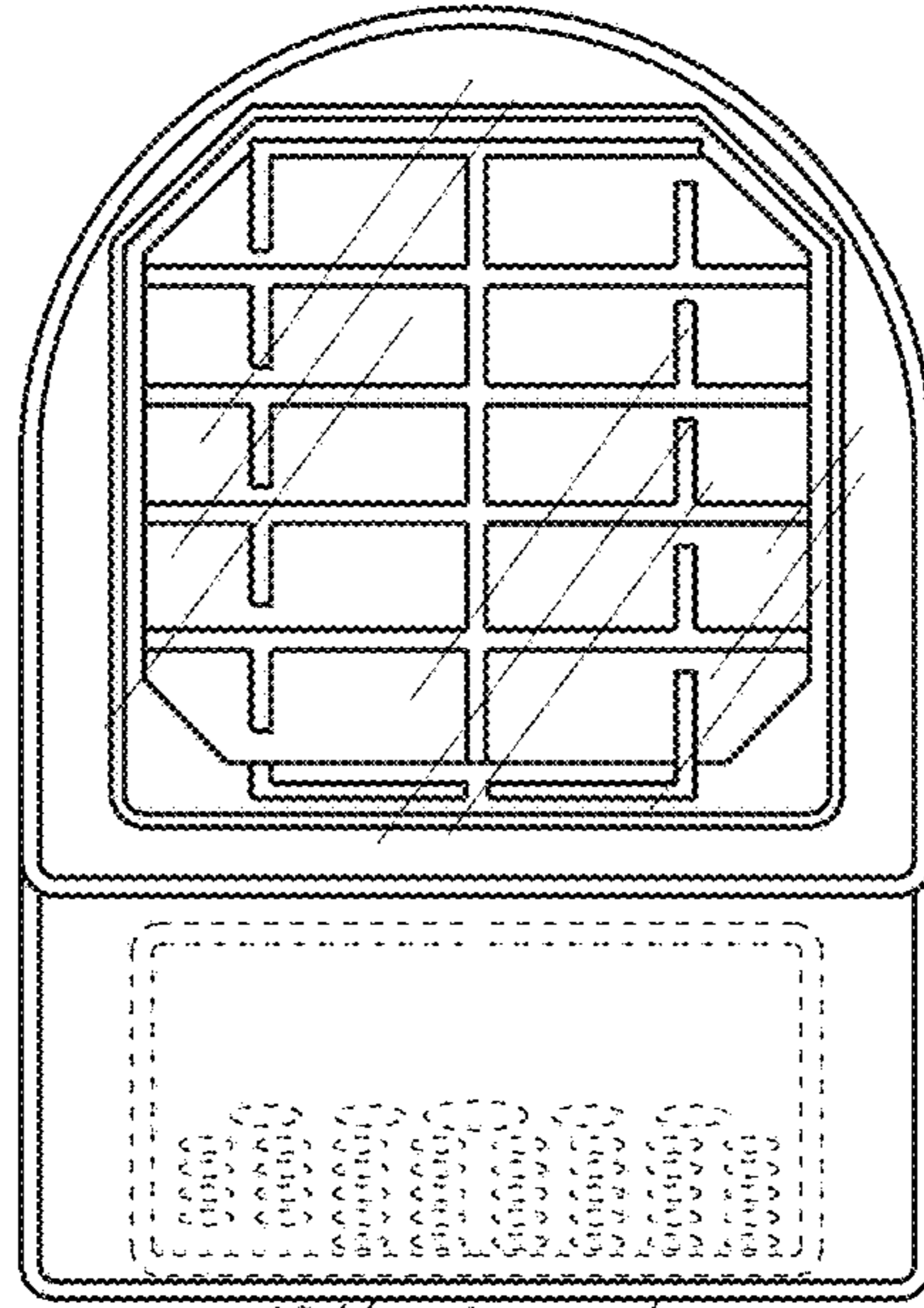


FIG. 7

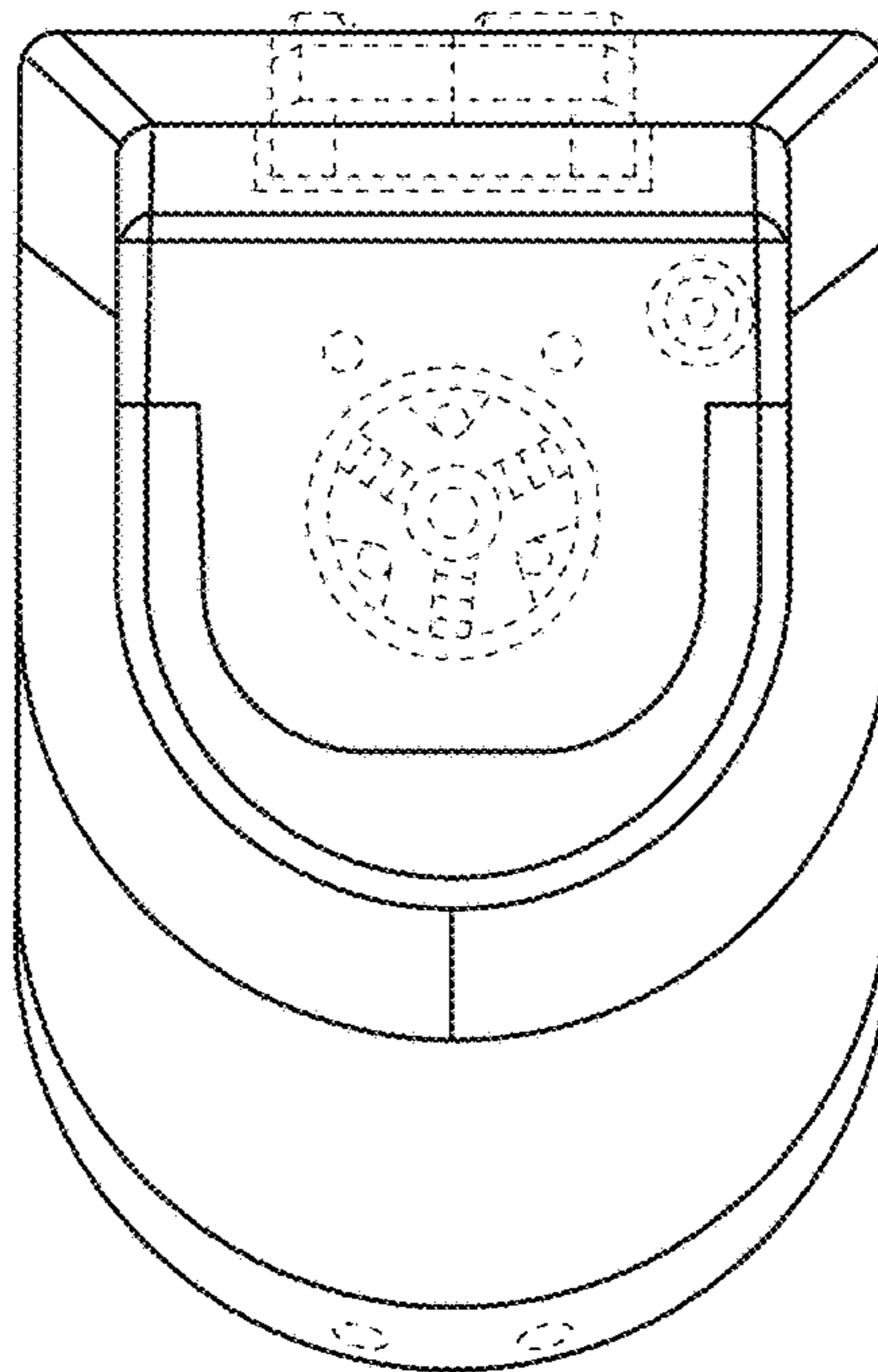


FIG. 8

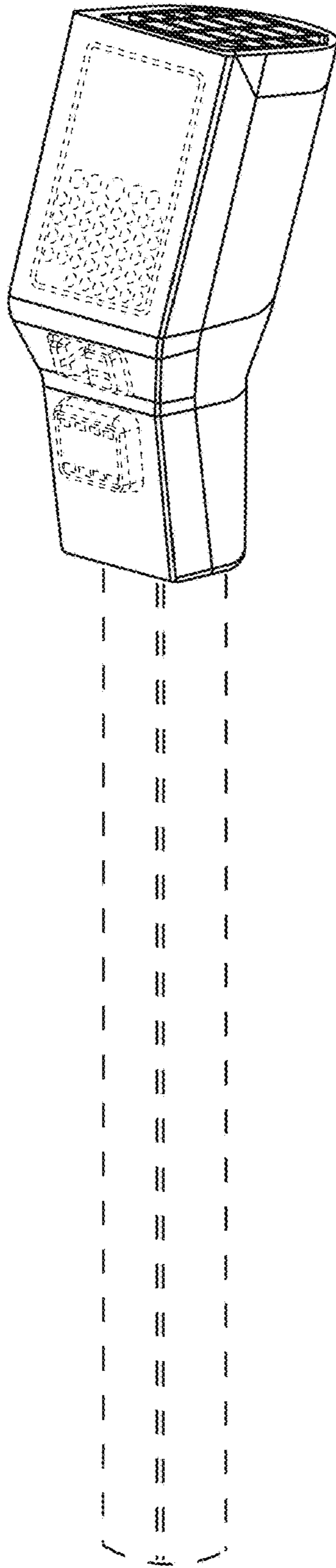


FIG. 9