



US00D856824S

(12) **United States Design Patent** (10) **Patent No.:** **US D856,824 S**
Berneron (45) **Date of Patent:** **** Aug. 20, 2019**

(54) **WATCH**
(71) Applicant: **Richemont International SA,**
Villars-sur-Glane (CH)
(72) Inventor: **Sylvain Berneron,** Geneva (CH)
(73) Assignee: **Richemont International SA,**
Villars-sur-Glane (CH)
(**) Term: **15 Years**

D360,142 S * 7/1995 Polenberg D10/30
D377,612 S * 1/1997 Lee D10/2
D380,970 S * 7/1997 Phillips D10/30
D384,897 S * 10/1997 Kennedy D10/30
D397,042 S * 8/1998 Riley D10/30
D417,158 S * 11/1999 Krauss D10/30
D423,953 S * 5/2000 Kauffmann D10/126
D449,231 S * 10/2001 Giardiello D10/128
D484,062 S * 12/2003 Kauffmann D10/39
D502,413 S * 3/2005 Sugiura D10/39
D612,748 S * 3/2010 Jorst D10/32

(Continued)

(21) Appl. No.: **29/626,518**

(22) Filed: **Nov. 17, 2017**

(30) **Foreign Application Priority Data**

Jun. 2, 2017 (WO) DM/096387

(51) **LOC (12) Cl.** **10-02**

(52) **U.S. Cl.**
USPC **D10/39**

(58) **Field of Classification Search**

USPC D10/1-2, 10, 30-33, 36-39, 98-99,
D10/122-124, 126-128, 132; D11/3;
D14/344; D24/167, 186

CPC G04C 19/00; G04C 19/02; G04B 19/00;
G04B 19/025; G04B 19/08; G04B
19/048; G04B 19/04; G04B 19/046;
G04B 19/06; G04B 19/065; G04B
19/082; G04B 19/085; G04B 19/087;
G04B 19/10; G04B 19/103; G04B
19/106; G04B 47/042; G04B 19/12;
G04B 19/18; G04B 19/223; G04B 19/23;
G04B 19/24; G04B 19/241; G04B
19/243; G04D 3/04

See application file for complete search history.

(56) **References Cited**

U.S. PATENT DOCUMENTS

D69,291 S * 1/1926 Tannenbaum D10/36
D222,784 S * 12/1971 Kurth D10/39

OTHER PUBLICATIONS

Frederique Constant Slimline Moonphase | posted at wornandwound.com Sep. 19, 2017 © 2011-2017, worn&wound LLC [online][site visited Sep. 10, 2018]. Available from internet: <https://wornandwound.com/introducing-frederique-constant-slimline-moonphase-manufacture/> (Year: 2017).*

Primary Examiner — Sandra S Snapp

Assistant Examiner — Katherine Glennon

(74) *Attorney, Agent, or Firm* — Taft Stettinius & Hollister LLP

(57) **CLAIM**

The ornamental design for a watch, as shown and described.

DESCRIPTION

FIG. 1 is a front elevational view of a watch showing my new design;

FIG. 2 is a back elevational view thereof;

FIG. 3 is a right side elevational view thereof;

FIG. 4 is a left side elevational view thereof;

FIG. 5 is a top plan view thereof;

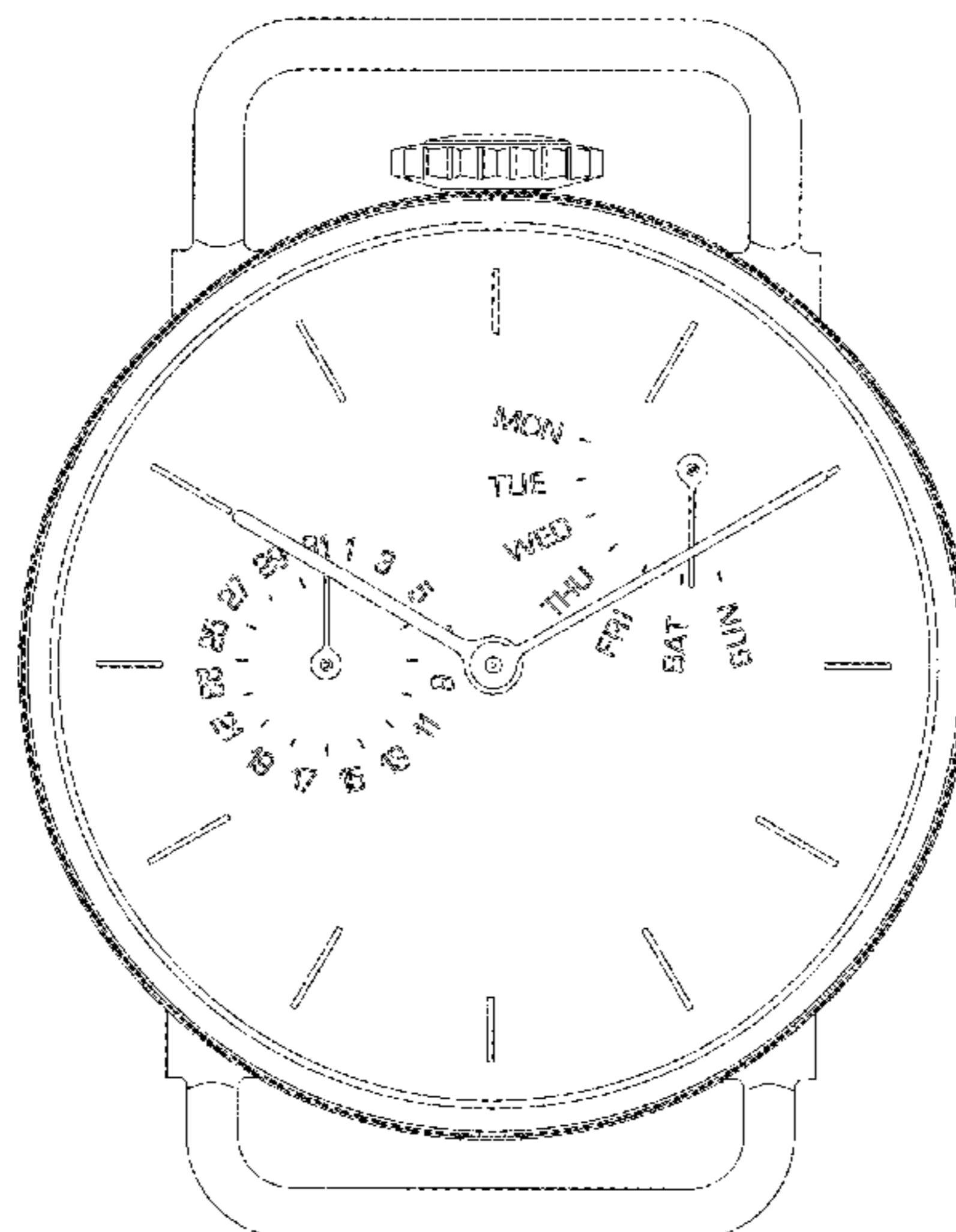
FIG. 6 is a bottom plan view thereof;

FIG. 7 is a front, right side perspective view thereof; and,

FIG. 8 is a back, left side perspective view thereof.

The broken lines in the drawing figures depict unclaimed subject matter that forms no part of the claimed design.

1 Claim, 8 Drawing Sheets



(56)

References Cited

U.S. PATENT DOCUMENTS

D640,145	S	*	6/2011	Goto	D10/32
D725,501	S	*	3/2015	Jamin	D10/124
D746,157	S	*	12/2015	Babcock	D10/30
D759,512	S	*	6/2016	Belamich	D10/126
D769,146	S	*	10/2016	Firth	D10/128
D779,342	S	*	2/2017	Lintz	D10/30
D791,632	S	*	7/2017	Lintz	D10/126
D824,275	S	*	7/2018	Sivriere	D11/35
D824,793	S	*	8/2018	Kociszewski	D10/126
D827,453	S	*	9/2018	Davoli	D10/37
2017/0086538	A1	*	3/2017	Siahaan	A44C 5/14

* cited by examiner

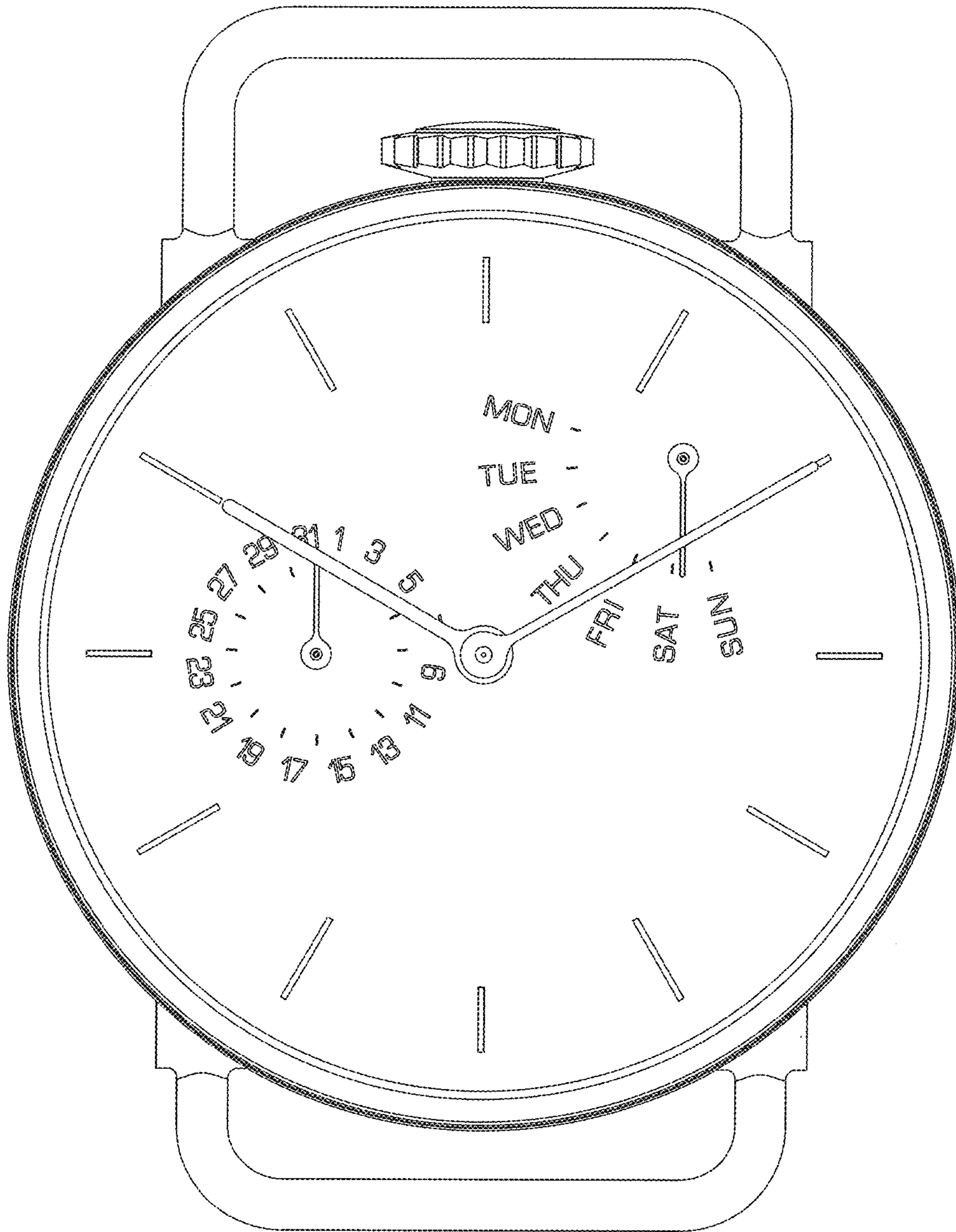


Fig. 1

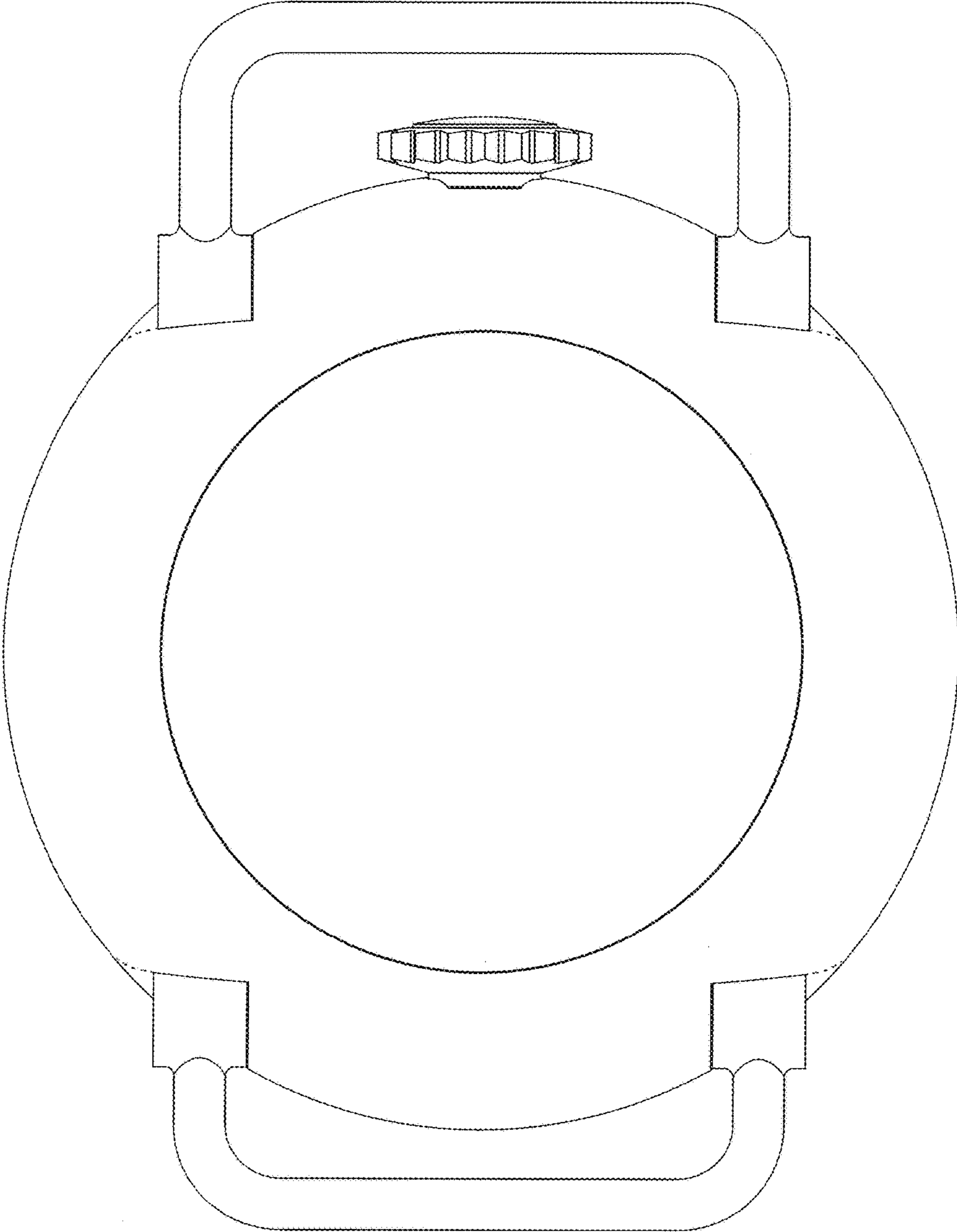


Fig. 2

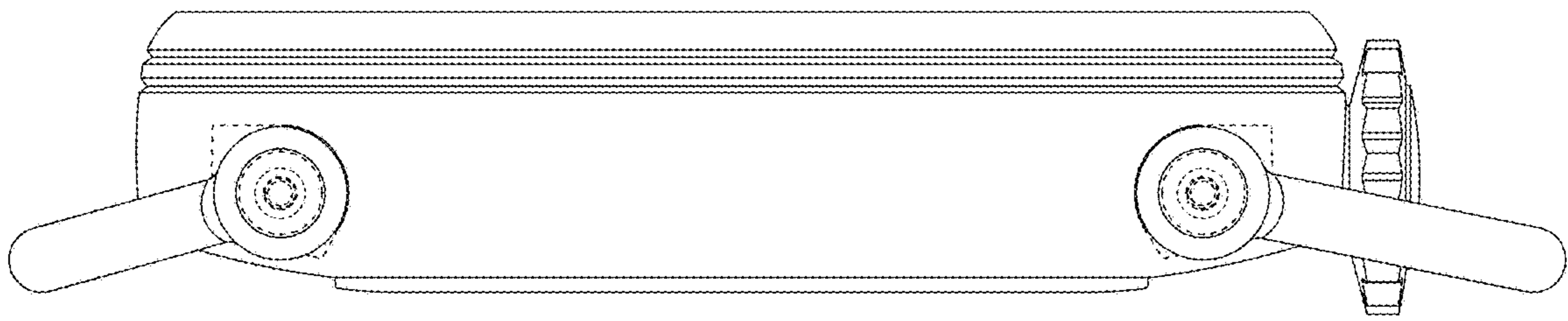


Fig. 3

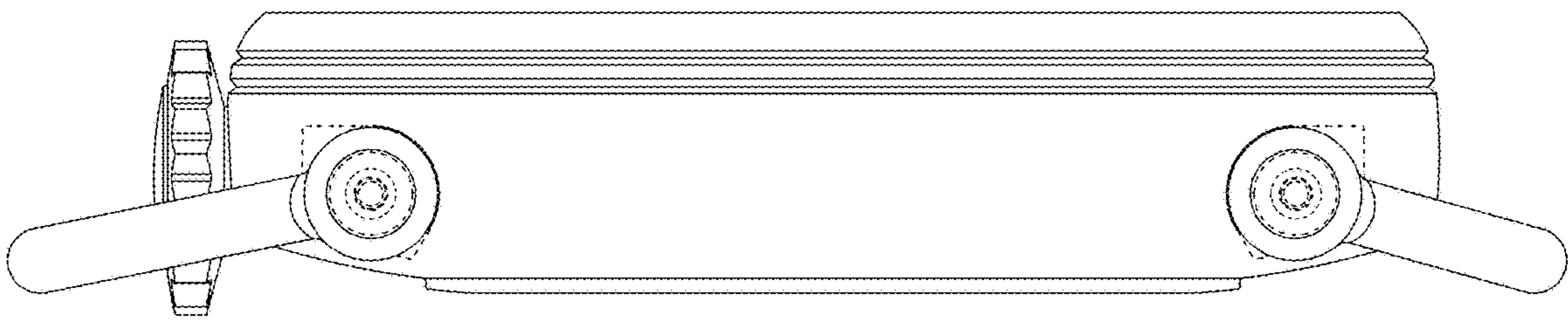


Fig. 4

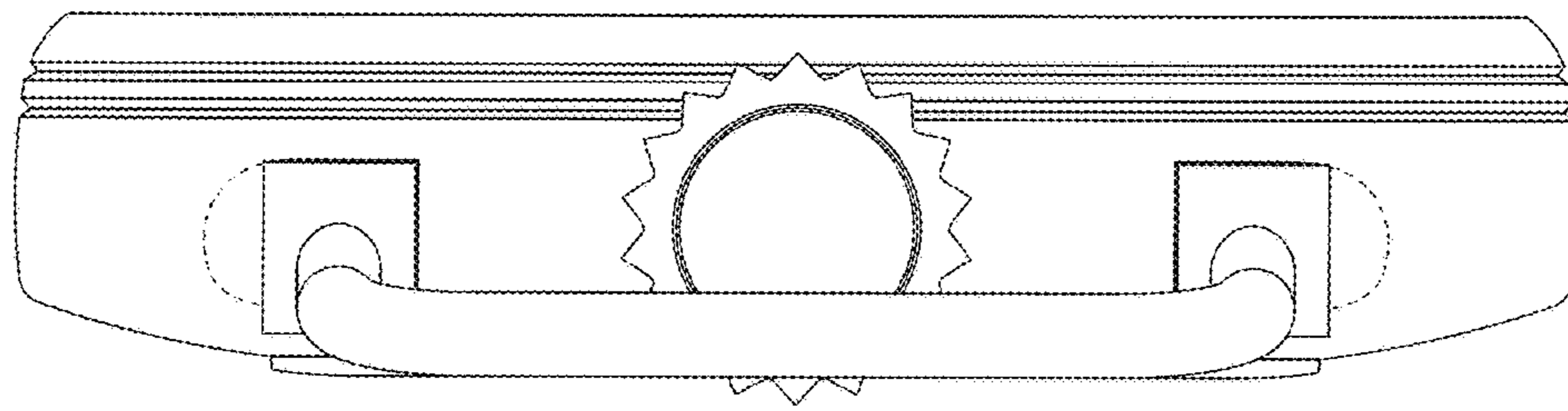


Fig. 5

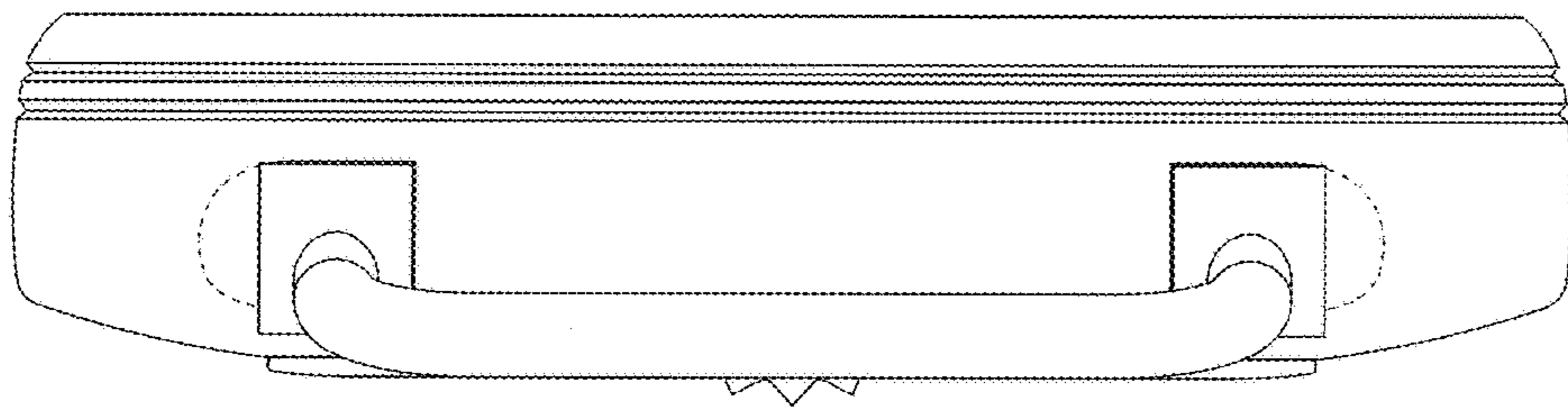


Fig. 6



Fig. 7

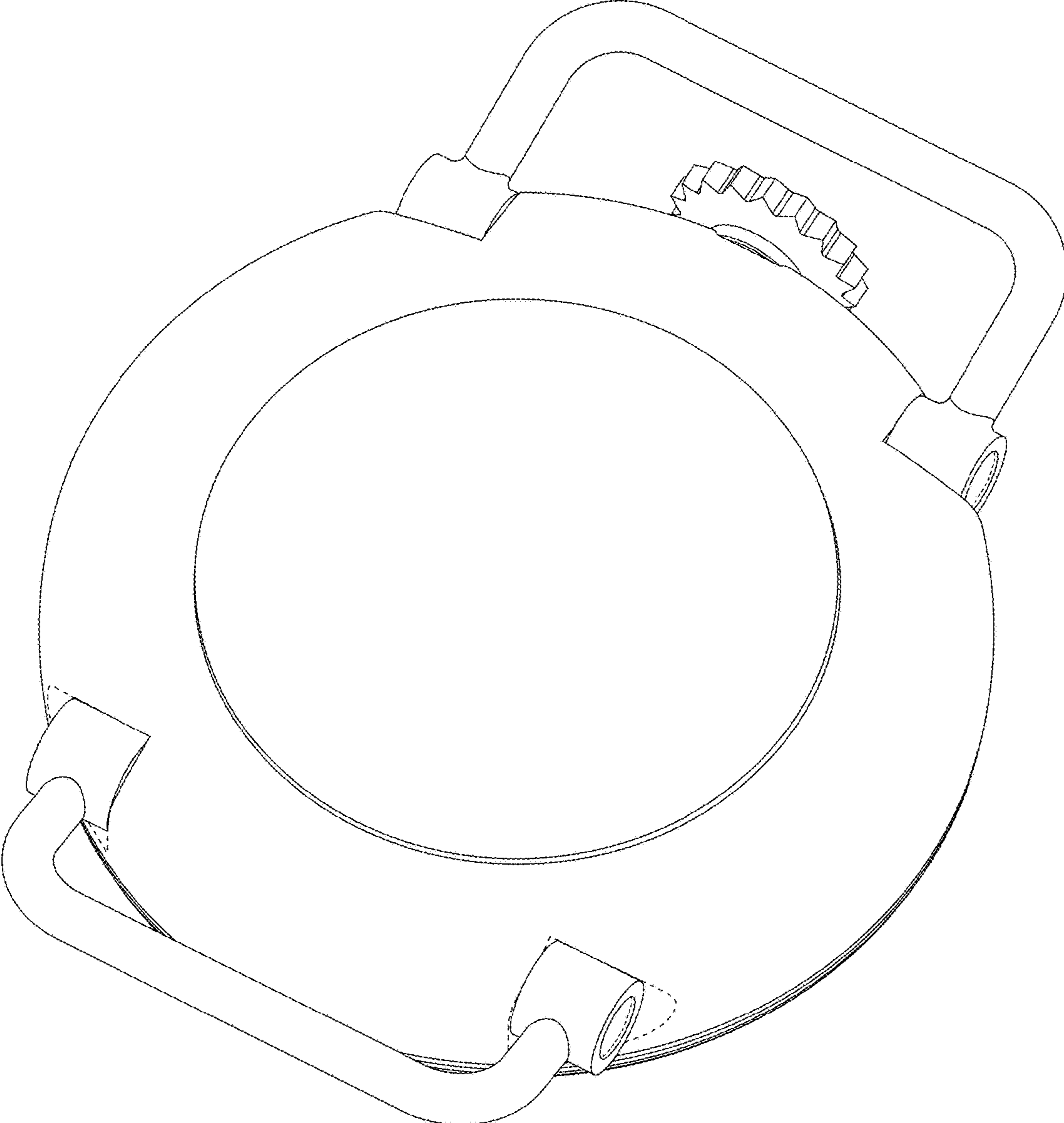


Fig. 8