



US00D856810S

(12) **United States Design Patent**  
**James**

(10) **Patent No.:** **US D856,810 S**

(45) **Date of Patent:** **\*\* \*Aug. 20, 2019**

(54) **BOTTLE**

(71) Applicant: **Conopco, Inc.**, Englewood Cliffs, NJ  
(US)

(72) Inventor: **Addison Paris James**, Shanghai (CN)

(73) Assignee: **CONOPCO, INC.**, Englewood Cliffs,  
NJ (US)

(\*) Notice: This patent is subject to a terminal disclaimer.

(\*\*) Term: **15 Years**

(21) Appl. No.: **29/616,251**

(22) Filed: **Sep. 5, 2017**

(30) **Foreign Application Priority Data**

Mar. 10, 2017 (EM) ..... 003793124

(51) **LOC (12) Cl.** ..... **09-01**

(52) **U.S. Cl.**  
USPC ..... **D9/566**

(58) **Field of Classification Search**

USPC ..... D7/300-322, 391-396.2, 509-511, 523,  
D7/589, 598, 612, 615, 619.1; D9/435,  
D9/436, 439, 440, 443, 447, 454, 500,  
D9/503-505, 516-575, 763-783;  
215/40-55, 316-354, 370-385;  
220/574-575; D4/116; D6/515, 516,  
D6/542-545; D28/7, 57, 73, 76-91.1  
CPC ..... B65D 1/00; B65D 1/02; B65D 1/0223;  
B65D 1/023; B65D 1/0276

See application file for complete search history.

(56) **References Cited**

**U.S. PATENT DOCUMENTS**

D43,507 S 2/1913 Nelson  
D80,708 S \* 3/1930 Teague ..... D9/544  
D86,017 S \* 1/1932 Fuerst ..... D9/526

D125,319 S \* 2/1941 Wangenheim ..... D9/553  
D175,447 S 8/1955 Tucker  
D191,544 S \* 10/1961 Bloch ..... D9/543  
D196,077 S \* 8/1963 Heintze ..... D7/300  
D204,710 S \* 5/1966 Roberts ..... D9/542  
D216,249 S \* 12/1969 Patrix ..... D9/542  
D236,586 S 9/1975 McDonald  
D284,938 S \* 8/1986 Jedwab ..... D9/544  
D307,241 S \* 4/1990 Thompson ..... D9/531  
D322,565 S \* 12/1991 Durand ..... D9/573

(Continued)

**FOREIGN PATENT DOCUMENTS**

CN 303529249 12/2015  
VN K19960083 6/1997

**OTHER PUBLICATIONS**

Salon Deapres Bottle Design, Salon Deapres (Japan) Bottle Design,  
before Feb. 7, 2014, pp. 1-4.

(Continued)

*Primary Examiner* — Cathron C Brooks

*Assistant Examiner* — Christian P. McLean

(74) *Attorney, Agent, or Firm* — Foley & Lardner LLP

(57) **CLAIM**

The ornamental design for a bottle, as shown and described.

**DESCRIPTION**

FIG. 1 is a top perspective view of the claimed design;

FIG. 2 is a front view thereof;

FIG. 3 is a rear view thereof;

FIG. 4 is a left side view thereof;

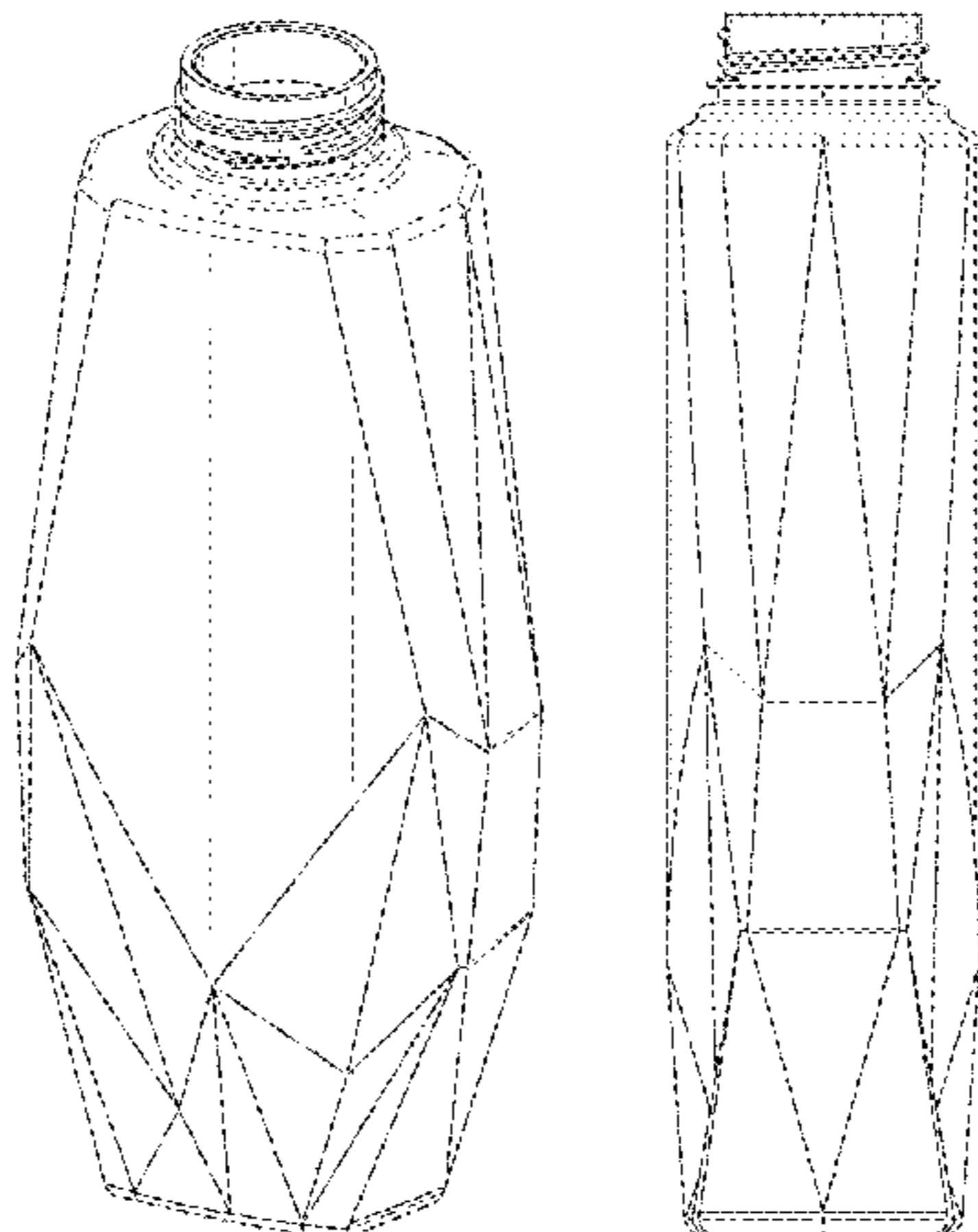
FIG. 5 is a right side view thereof;

FIG. 6 is a top view thereof; and,

FIG. 7 is a bottom view thereof.

Dot-dash-dot lines formed by dashes of alternating lengths show the boundaries of the claimed design and form no part thereof.

**1 Claim, 5 Drawing Sheets**



(56)

References Cited

U.S. PATENT DOCUMENTS

D328,247 S 7/1992 Robineau  
 D355,128 S \* 2/1995 Samimi ..... D9/542  
 D497,314 S 10/2004 Dea  
 D530,620 S 10/2006 Owens et al.  
 D531,044 S 10/2006 Owens et al.  
 D531,045 S 10/2006 Owens et al.  
 D531,515 S 11/2006 Owens et al.  
 D533,072 S 12/2006 Kelly  
 D544,361 S \* 6/2007 Cordes ..... D9/544  
 D545,212 S 6/2007 Kelly  
 D595,583 S \* 7/2009 Lovelace, Jr. .... B65D 25/2885  
 D9/528  
 D646,981 S \* 10/2011 Flanagan-Kent ..... D9/521  
 D650,688 S \* 12/2011 Simmons ..... D9/542  
 D694,640 S \* 12/2013 Infahsaeng ..... D9/559  
 D715,152 S \* 10/2014 Maskell ..... D9/566  
 D726,967 S \* 4/2015 Komai ..... D28/87  
 D734,160 S \* 7/2015 Aranda ..... D9/555  
 D747,972 S 1/2016 Allan

D748,490 S 2/2016 Allan  
 D774,833 S \* 12/2016 Likar ..... D7/558  
 D781,713 S \* 3/2017 Papernik ..... D9/651  
 D790,975 S \* 7/2017 Allan ..... D9/542  
 D809,925 S \* 2/2018 Cossu ..... D9/544  
 D826,724 S \* 8/2018 Staab ..... D9/574  
 D830,839 S \* 10/2018 Rodrigues ..... D9/546  
 D833,290 S \* 11/2018 Byron ..... D9/559  
 D833,826 S \* 11/2018 Sanchez Garcia ..... D7/523  
 D835,995 S \* 12/2018 Shoemaker ..... D9/559

OTHER PUBLICATIONS

Co-Pending U.S. Appl. No. 29/616,248, Applicant: Addison Paris James, filed: Sep. 5, 2017.  
 Co-Pending U.S. Appl. No. 29/616,253; Applicant: Addison Paris James, filed: Sep. 5, 2017.  
 Co-Pending U.S. Appl. No. 29/616,256; Applicant: Addison Paris James, filed: Sep. 5, 2017;.

\* cited by examiner

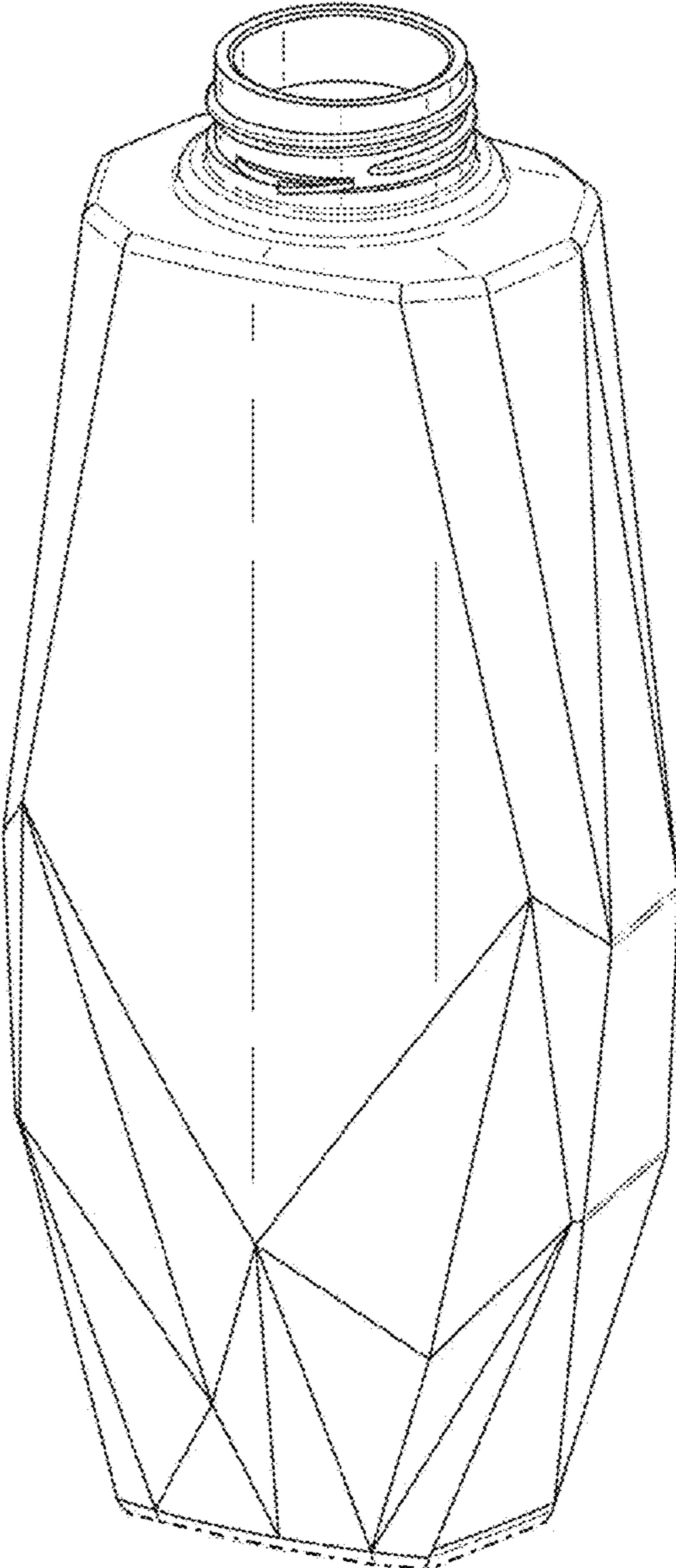


Fig. 1

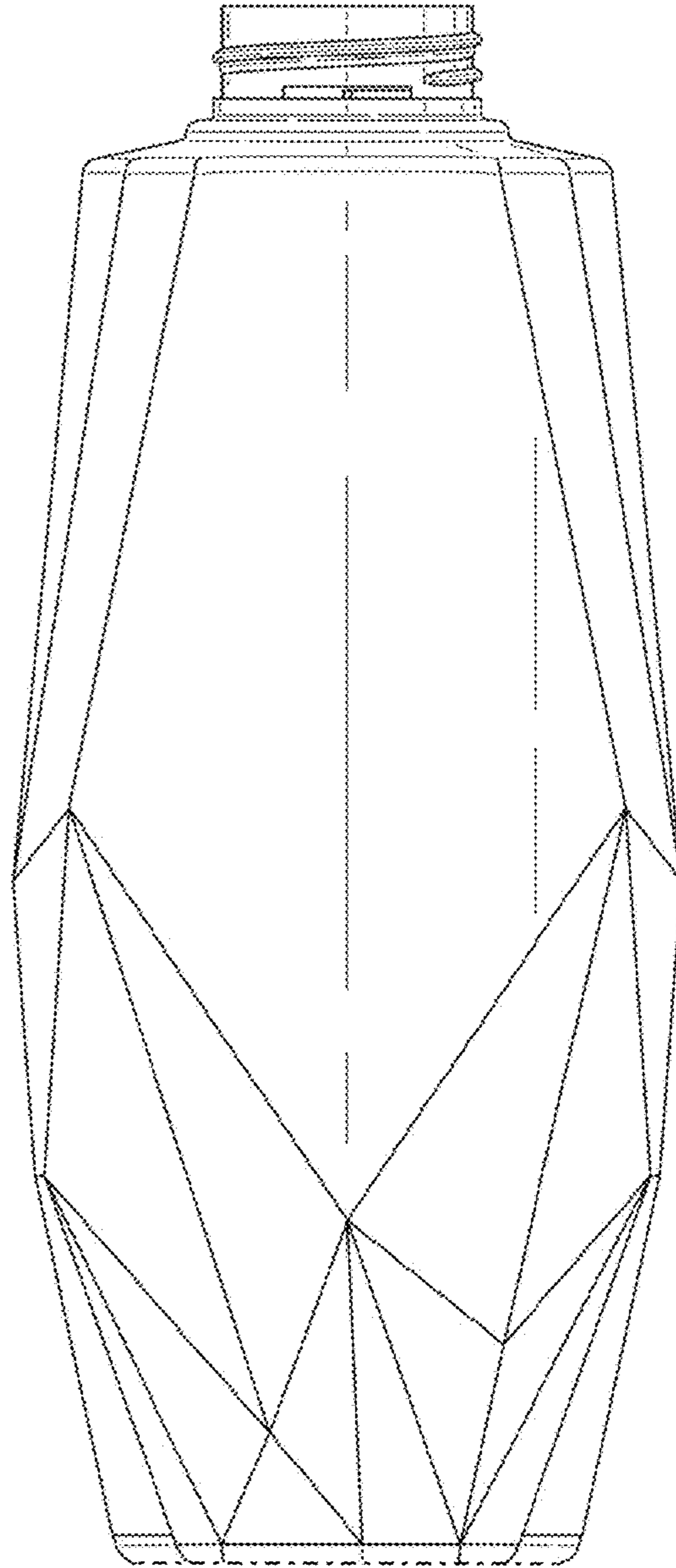


Fig. 2

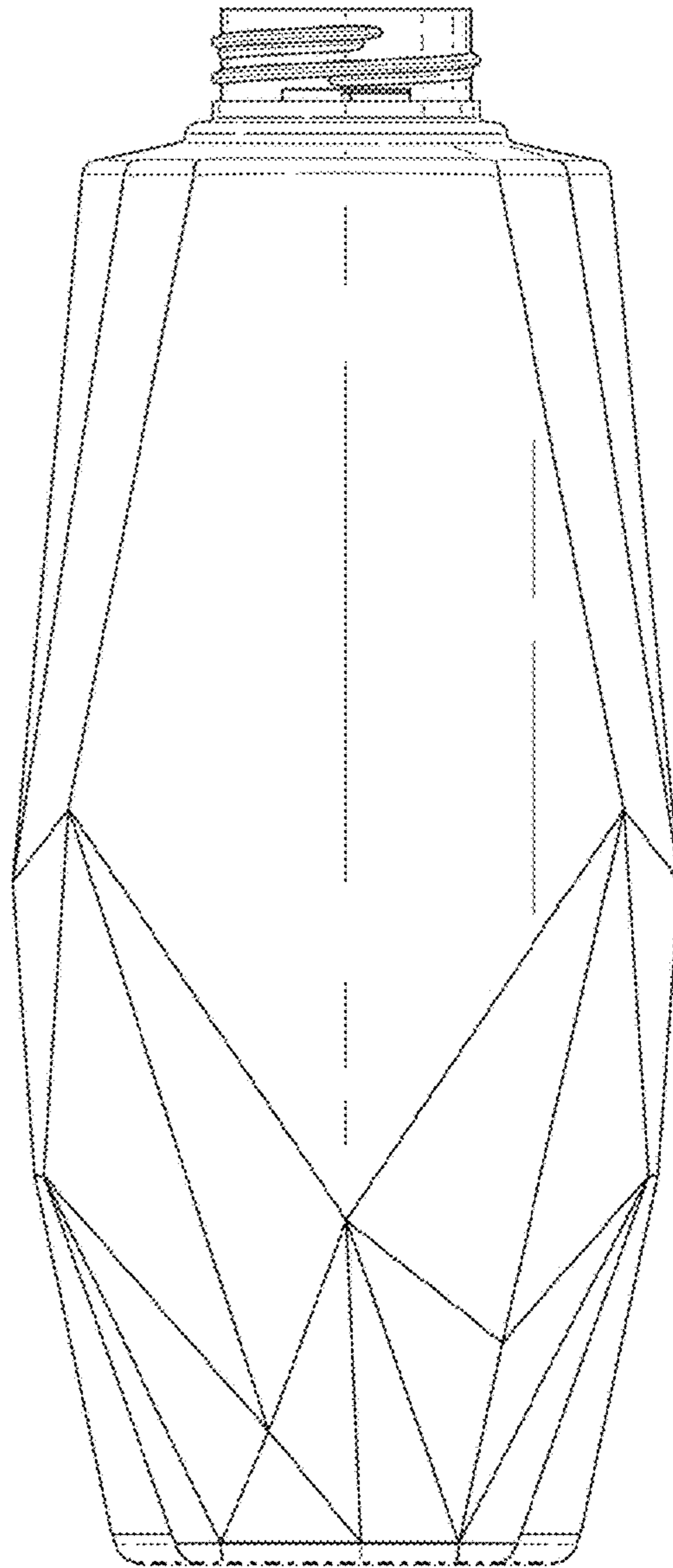


Fig. 3

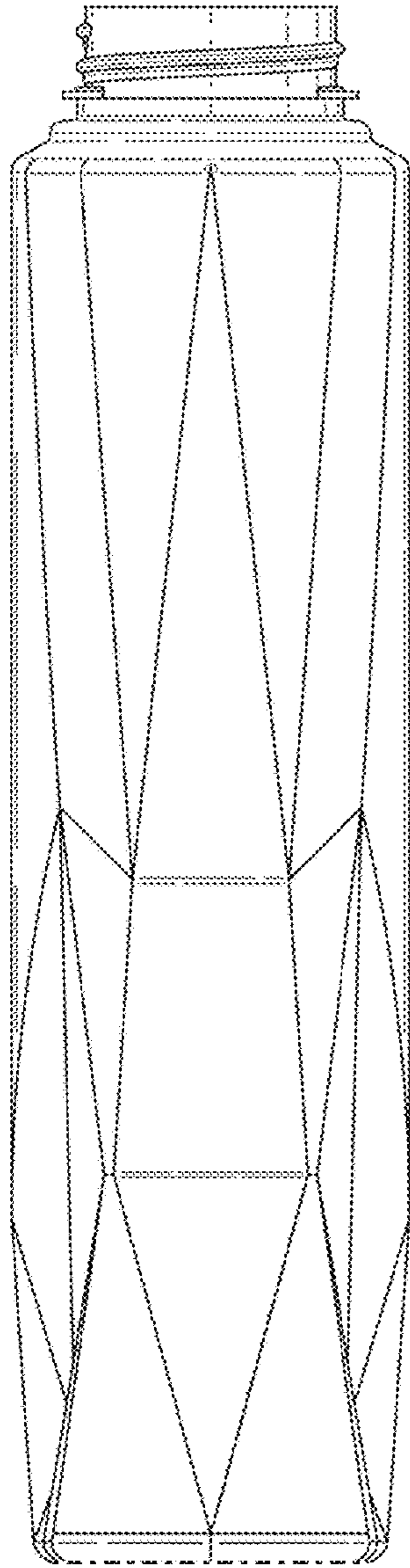


Fig. 4

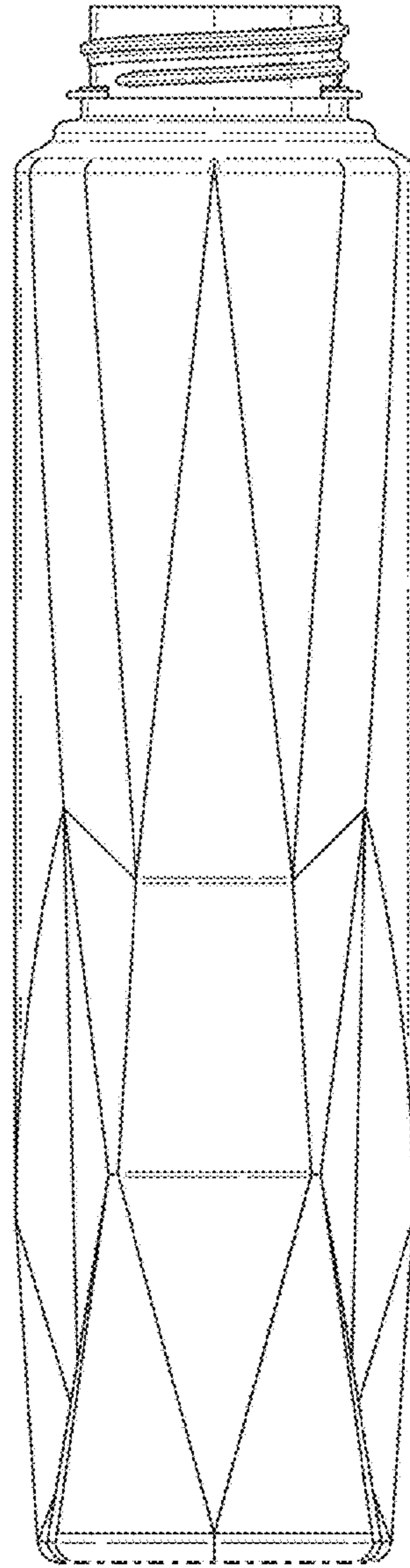


Fig. 5

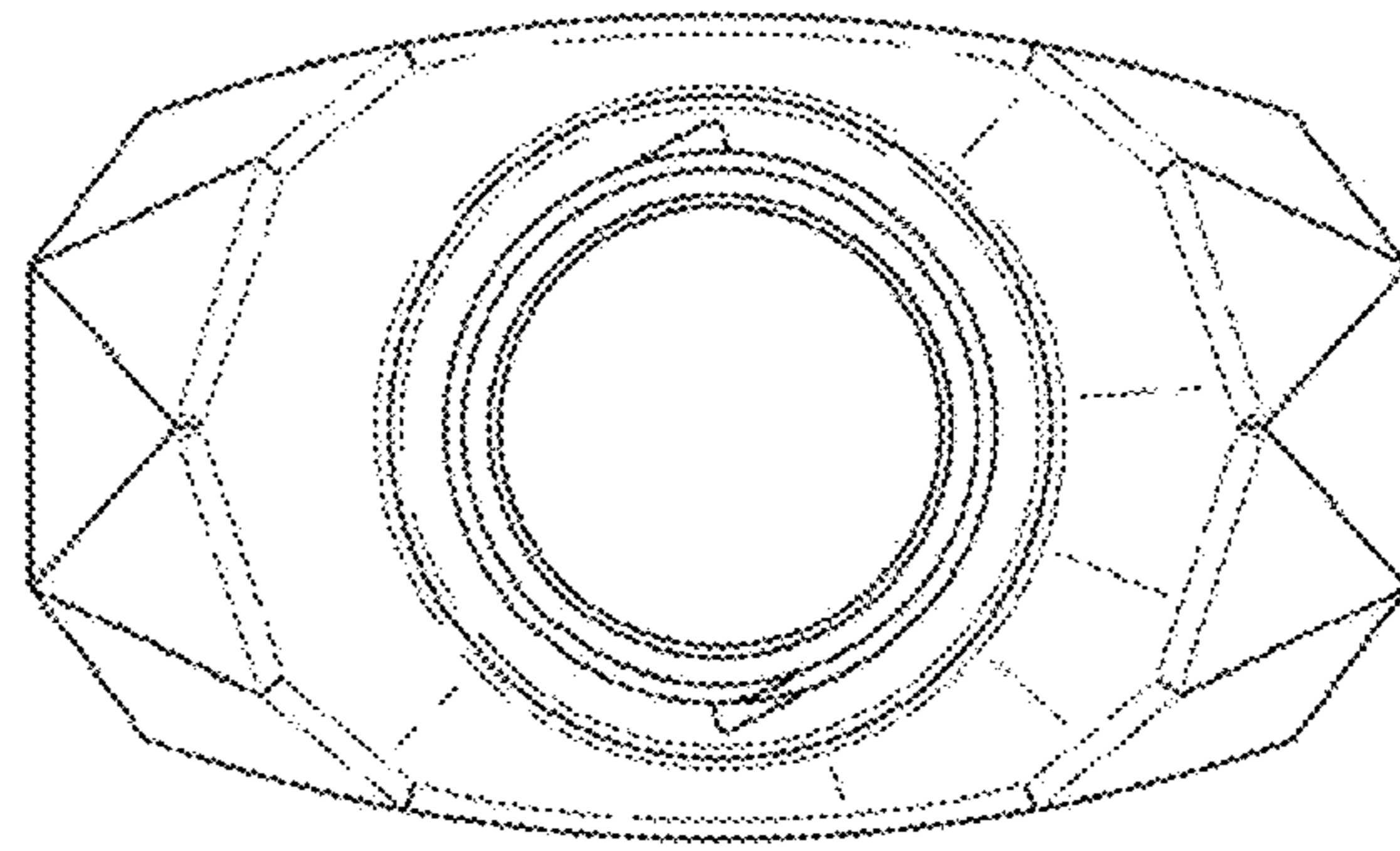


Fig. 6

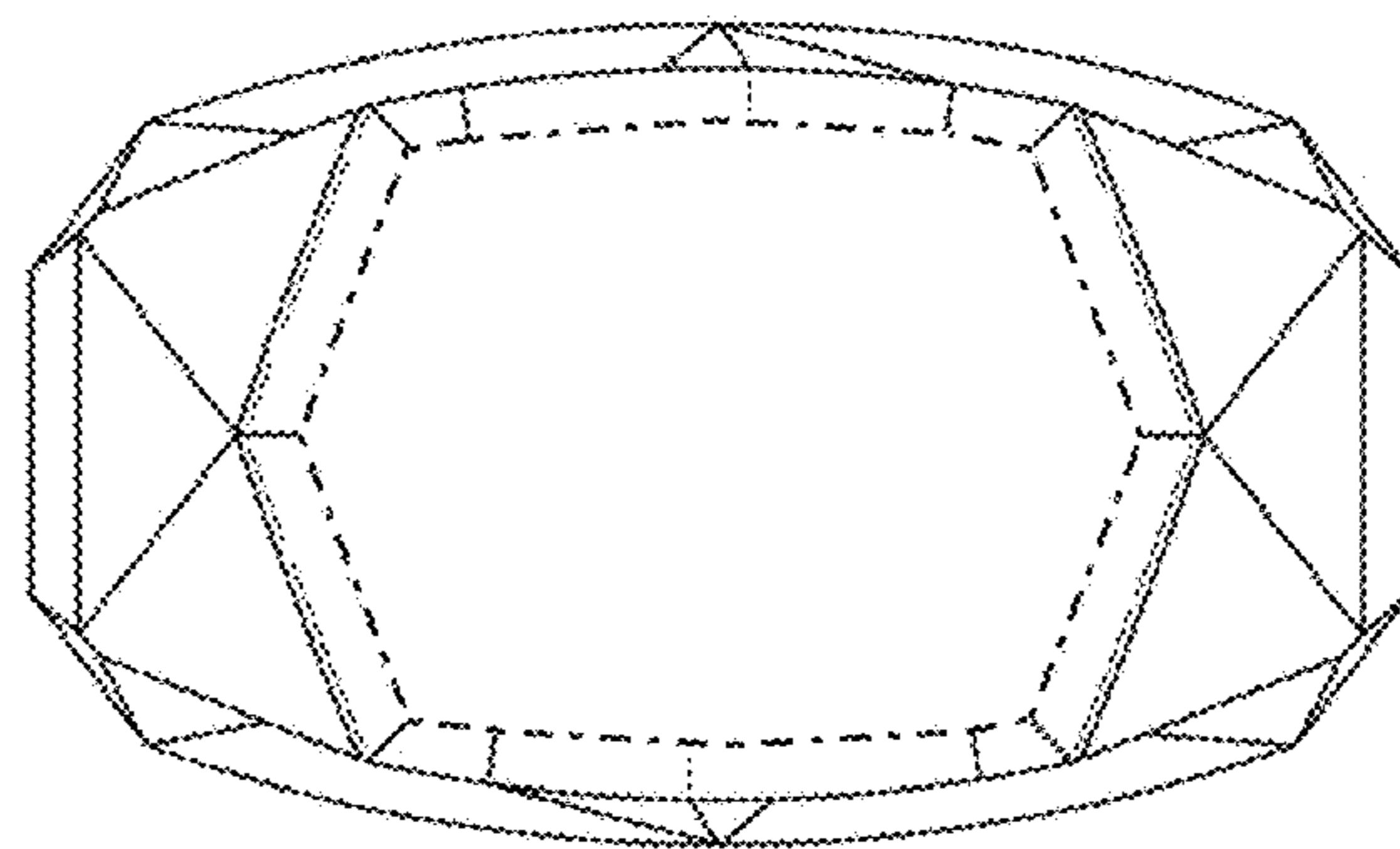


Fig. 7