



US00D856808S

(12) **United States Design Patent**
Rowell

(10) **Patent No.:** **US D856,808 S**

(45) **Date of Patent:** **** Aug. 20, 2019**

- (54) **GLASS BEVERAGE BOTTLE**
- (71) Applicant: **Jefferson Rowell**, Heidelberg, MS (US)
- (72) Inventor: **Jefferson Rowell**, Heidelberg, MS (US)
- (**) Term: **15 Years**
- (21) Appl. No.: **29/654,764**
- (22) Filed: **Jun. 27, 2018**

Related U.S. Application Data

- (63) Continuation-in-part of application No. 29/571,396, filed on Jul. 18, 2016, now abandoned.
- (51) **LOC (12) Cl.** **09-01**
- (52) **U.S. Cl.**
USPC **D9/545; D9/520; D9/549**
- (58) **Field of Classification Search**
USPC D9/452, 500–505, 516, 520, 544–545, D9/549, 558, 715, 719, 772; D7/300, D7/300.1, 509, 598, 602, 619.1, 629; D23/362, 366; D24/121, 197
CPC B65D 1/00; B65D 1/02; B65D 1/0223; B65D 2501/00; B65D 2501/0009
See application file for complete search history.

(56) **References Cited**

U.S. PATENT DOCUMENTS

D104,396 S *	5/1937	Fehr	215/10
2,325,224 A *	7/1943	Holman	B65D 5/4204
				206/446
D241,012 S *	8/1976	de Muller y de Abadal	D9/500
D265,794 S *	8/1982	Helfrich	D9/520
D315,677 S *	3/1991	Vidarsson	D9/520
D418,061 S *	12/1999	Starker	D9/520
D564,883 S *	3/2008	Rica	D9/500
D635,028 S *	3/2011	Daniele	D9/500
D637,083 S *	5/2011	Delbon	D9/500

RE43,104 E *	1/2012	Rica	D9/520
D652,720 S *	1/2012	Pelkey	D9/500
D679,187 S *	4/2013	Zuchetta	D9/500
D679,188 S *	4/2013	Zuchetta	D9/500
D687,312 S *	8/2013	Biscardo	D9/500
D698,243 S *	1/2014	Letamendi	D9/500
D698,647 S *	2/2014	Maillet	D9/500
D726,010 S *	4/2015	Savkar	D9/500
D799,969 S *	10/2017	Harris	D9/500

(Continued)

Primary Examiner — Cathron C Brooks

Assistant Examiner — Sharon S Oum

(74) *Attorney, Agent, or Firm* — Keaty Law Firm LLC

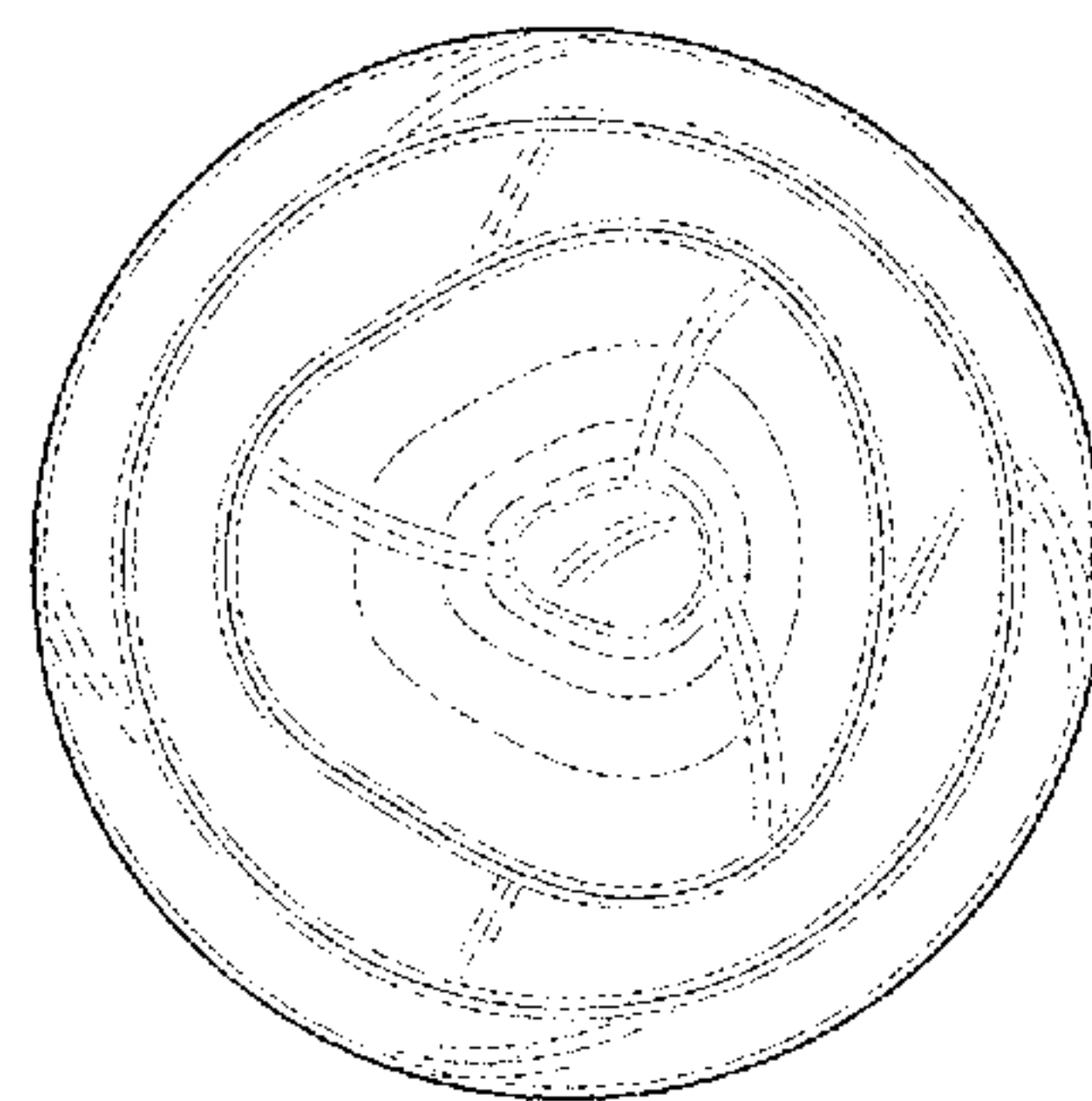
(57) **CLAIM**

The ornamental design for a glass bottle, as shown and described.

DESCRIPTION

FIG. 1 is a side sectional view of the ornamental design for a glass beverage bottle according to the present invention. FIG. 2 is a front sectional view of the ornamental design for a glass beverage bottle according to the present invention. FIG. 3 is a side sectional view of the ornamental design for a glass beverage bottle according to the present invention. FIG. 4 is a top view of the ornamental design for a glass beverage bottle according to the present invention. FIG. 5 is a bottom view of the ornamental design for a glass beverage bottle according to the present invention. FIG. 6 is a side perspective view of the ornamental design for a glass beverage bottle according to the present invention. FIG. 7 is a front perspective view of the ornamental design for a glass beverage bottle according to the present invention; and, FIG. 8 is a side perspective view of the ornamental design for a glass beverage bottle according to the present invention.

1 Claim, 3 Drawing Sheets



(56)

References Cited

U.S. PATENT DOCUMENTS

D805,389 S * 12/2017 Santoro D9/520
D820,090 S * 6/2018 Delbon D9/500
2017/0275044 A1 * 9/2017 Arregui Letamendi
B65D 1/0276

* cited by examiner

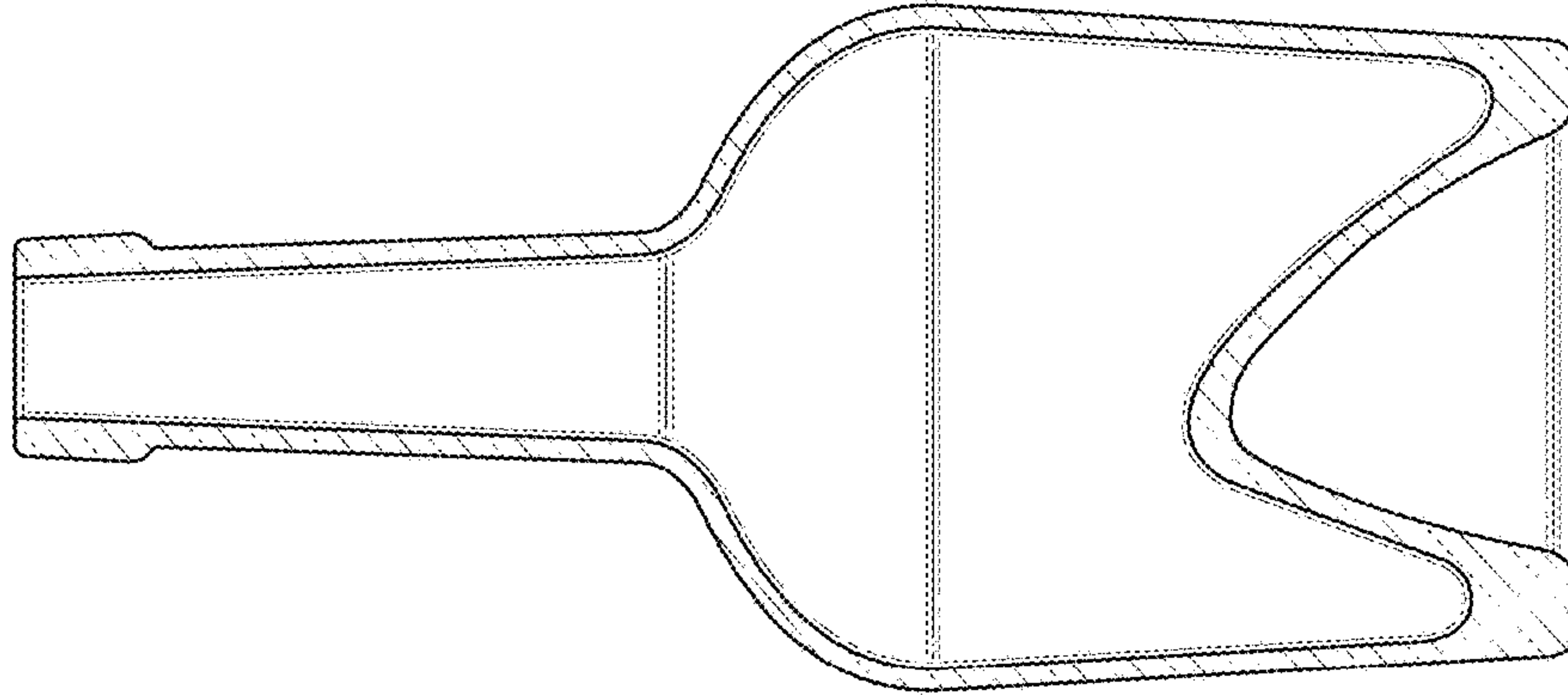


FIG. 3

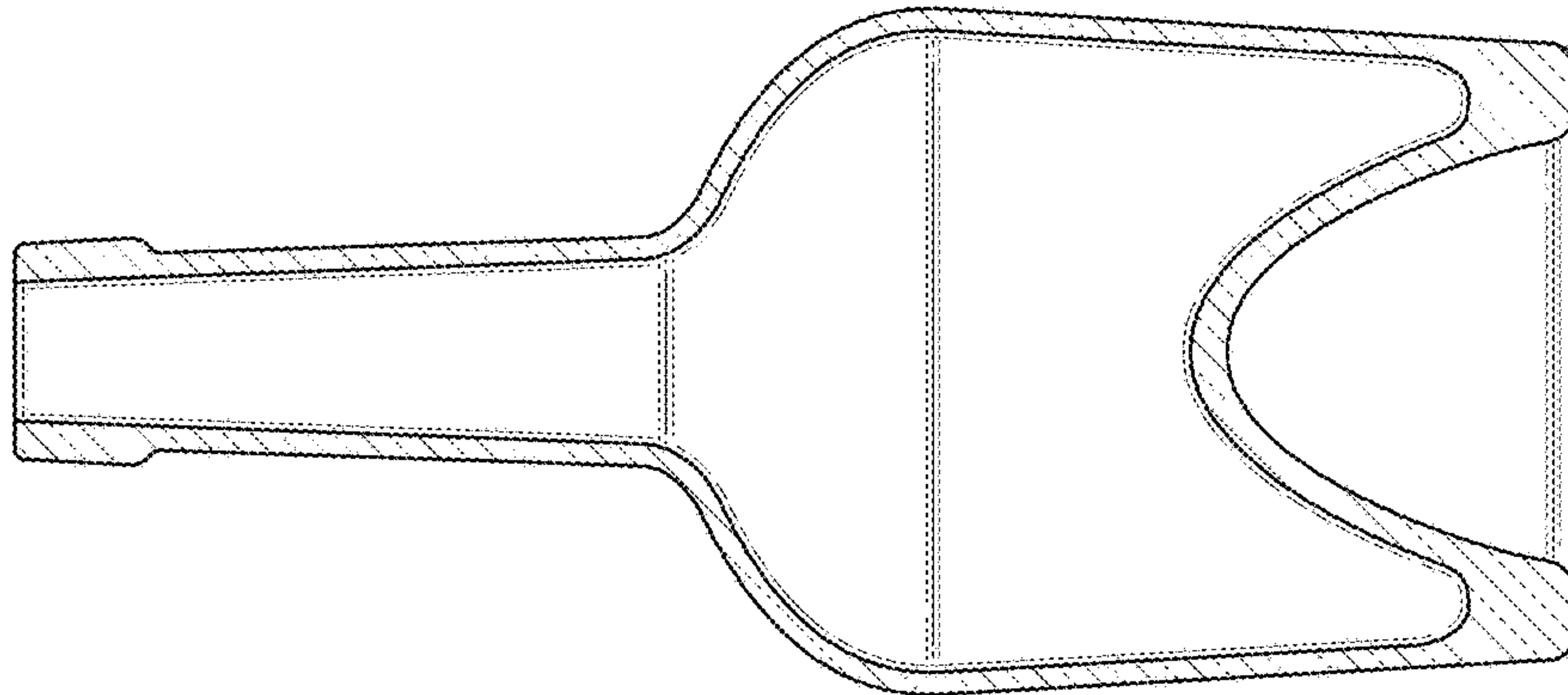


FIG. 2

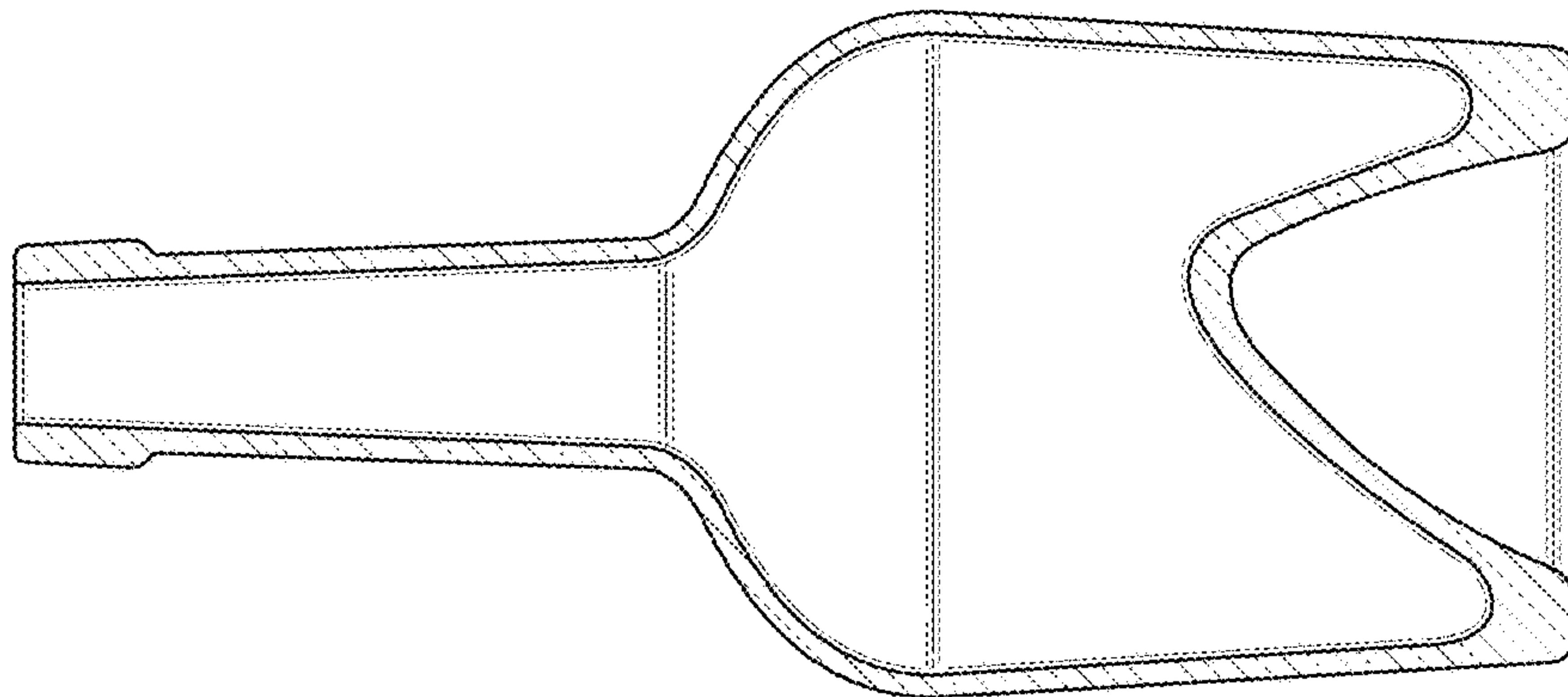


FIG. 1

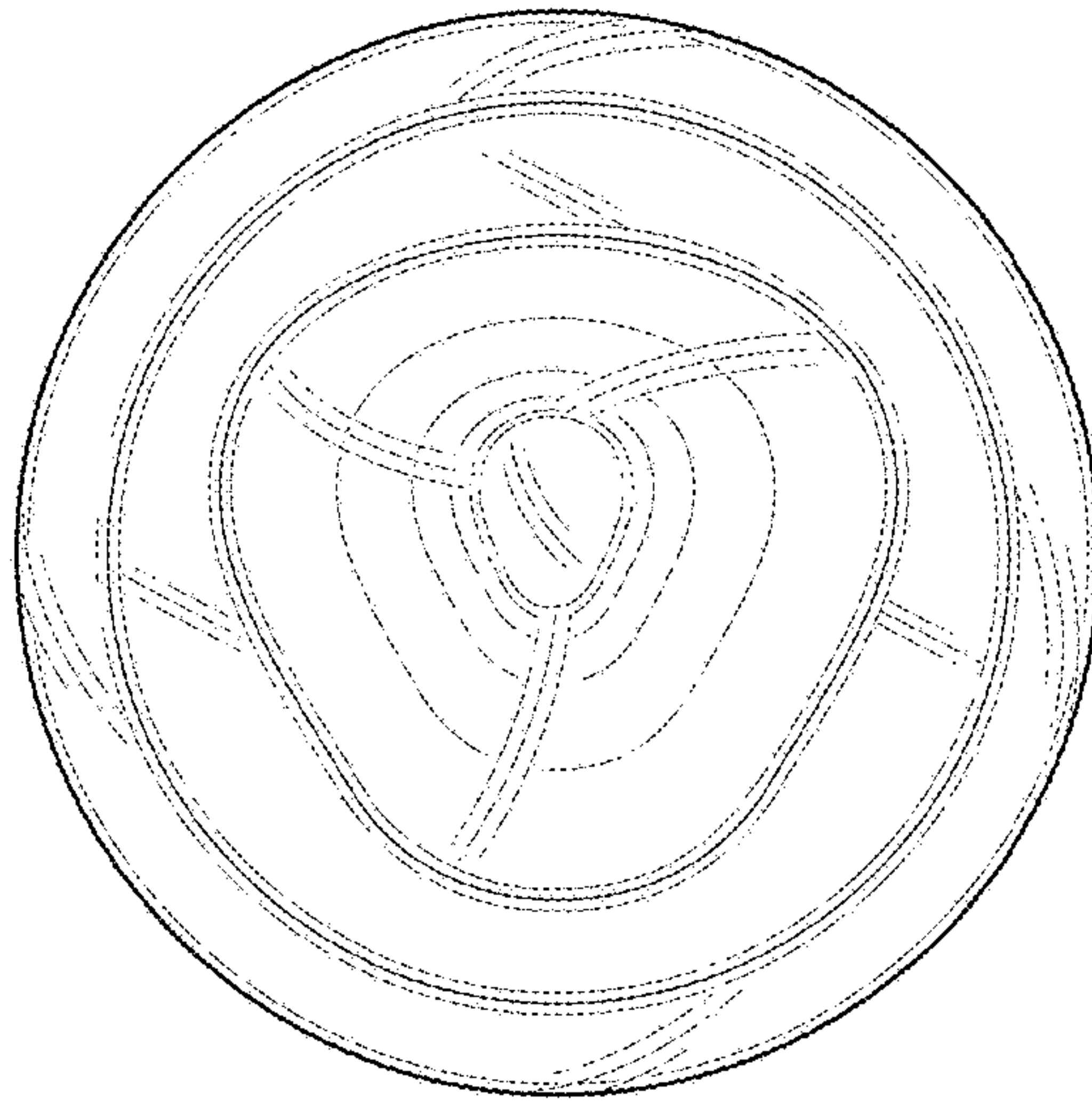


FIG. 5

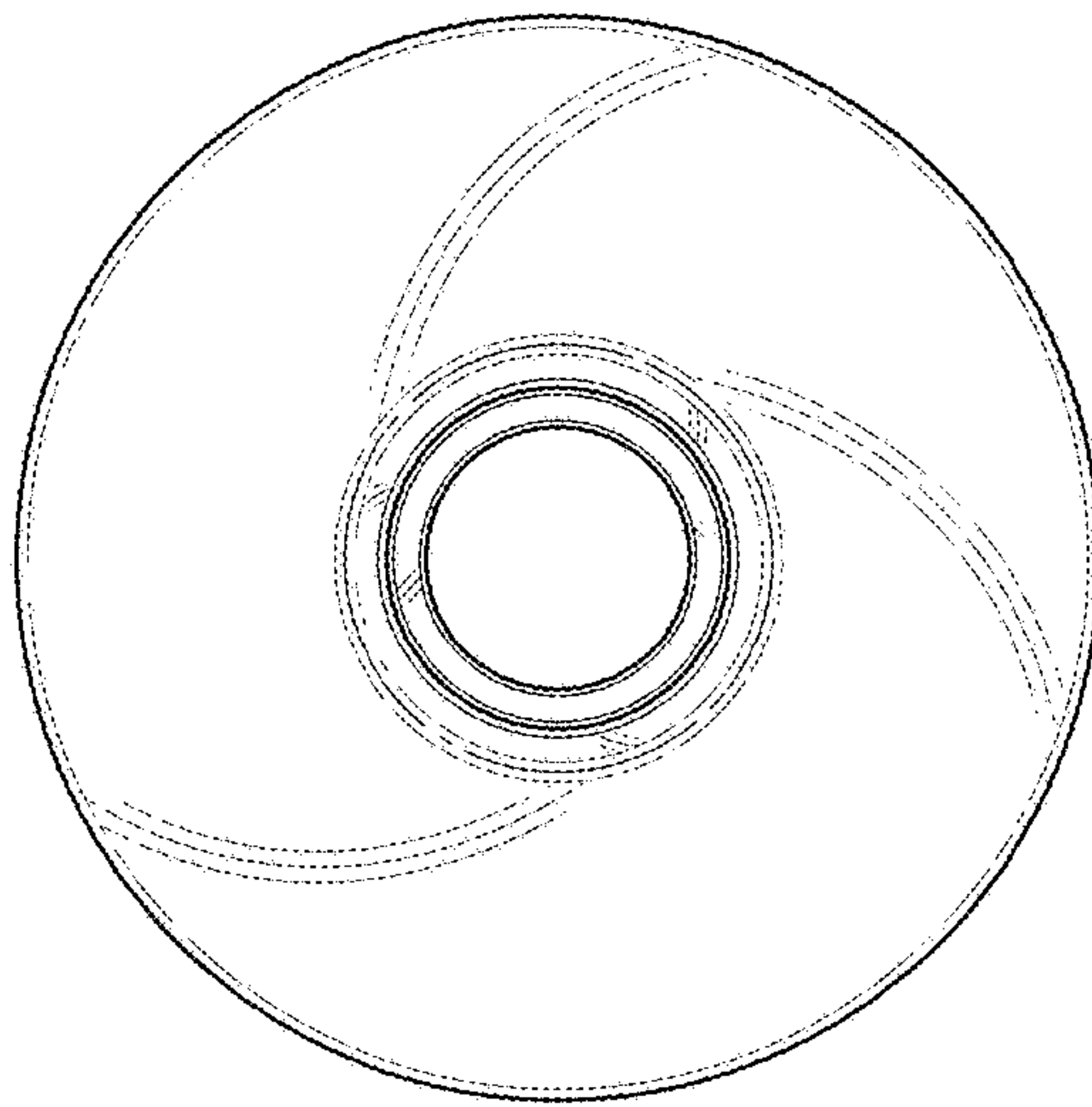


FIG. 4

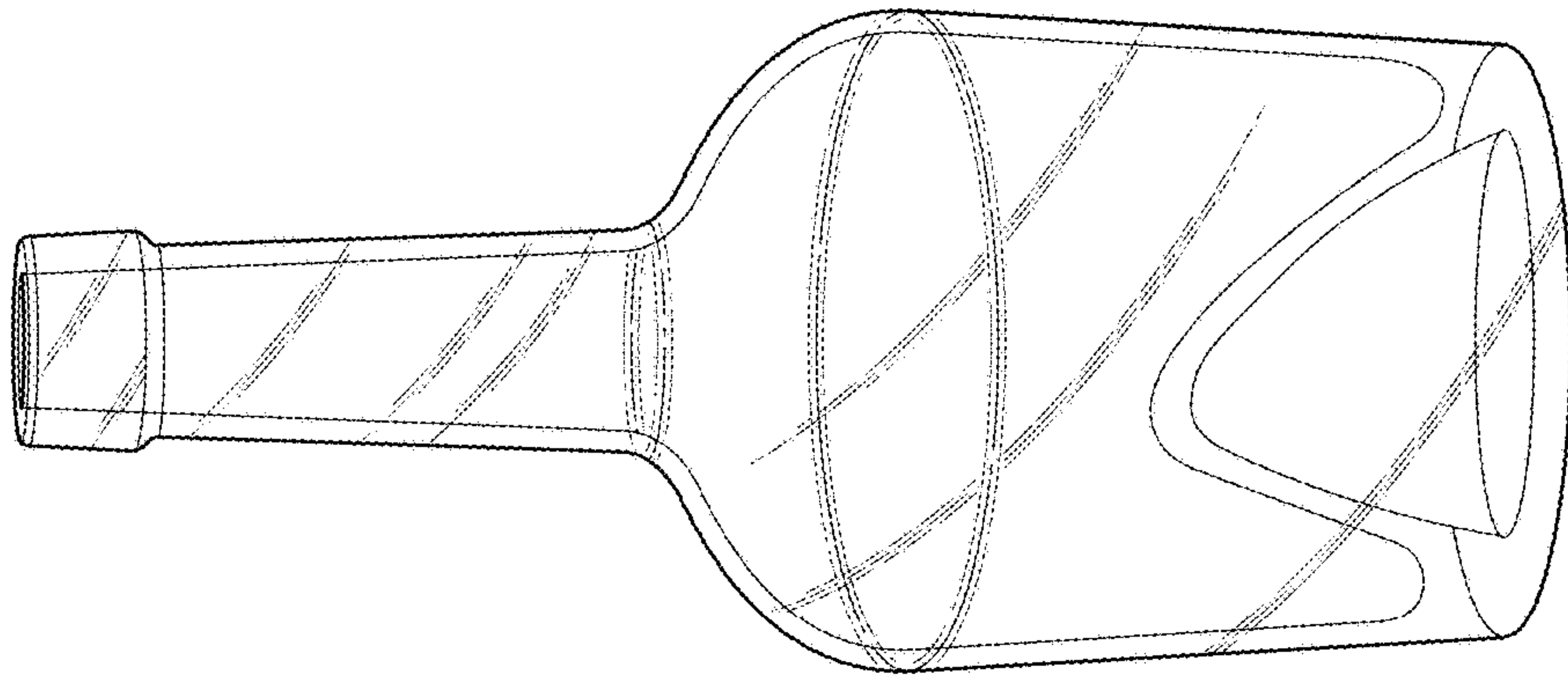


FIG. 6

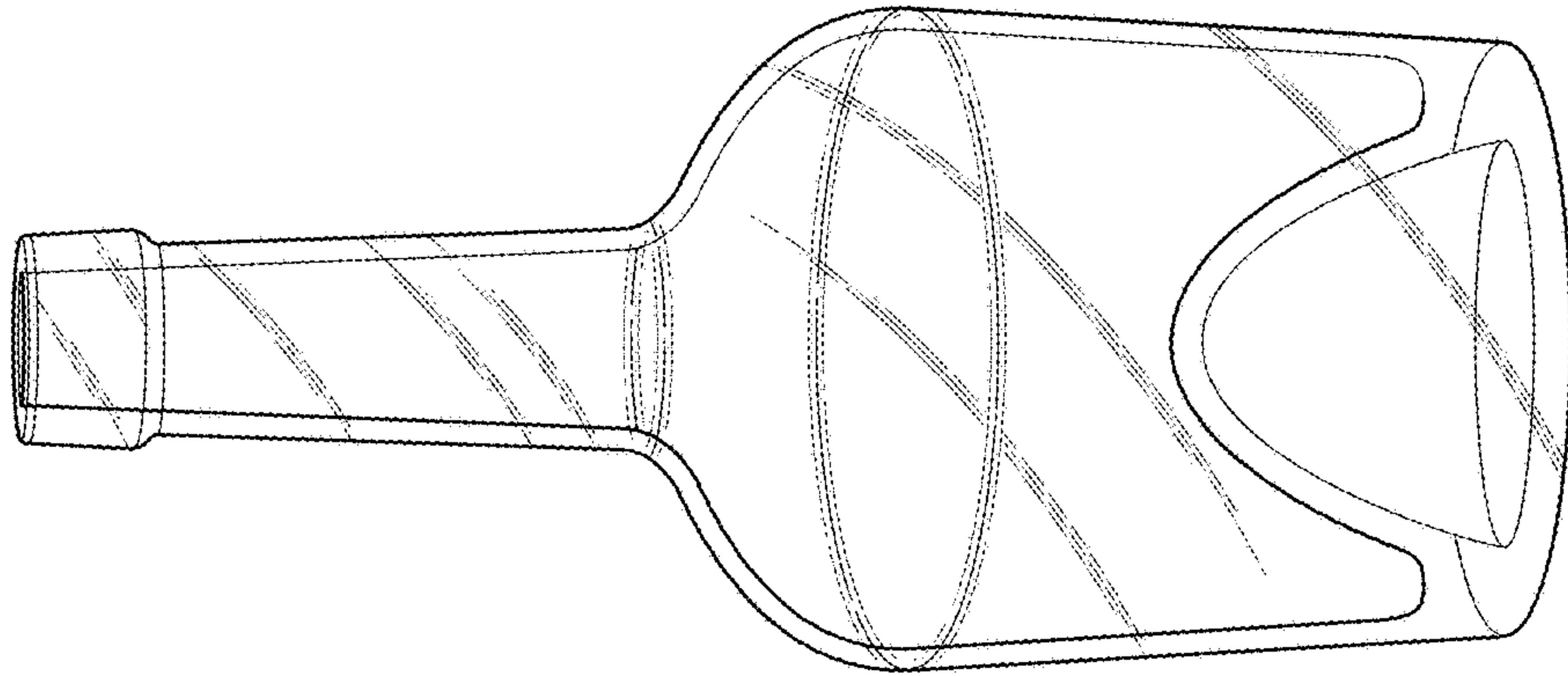


FIG. 7

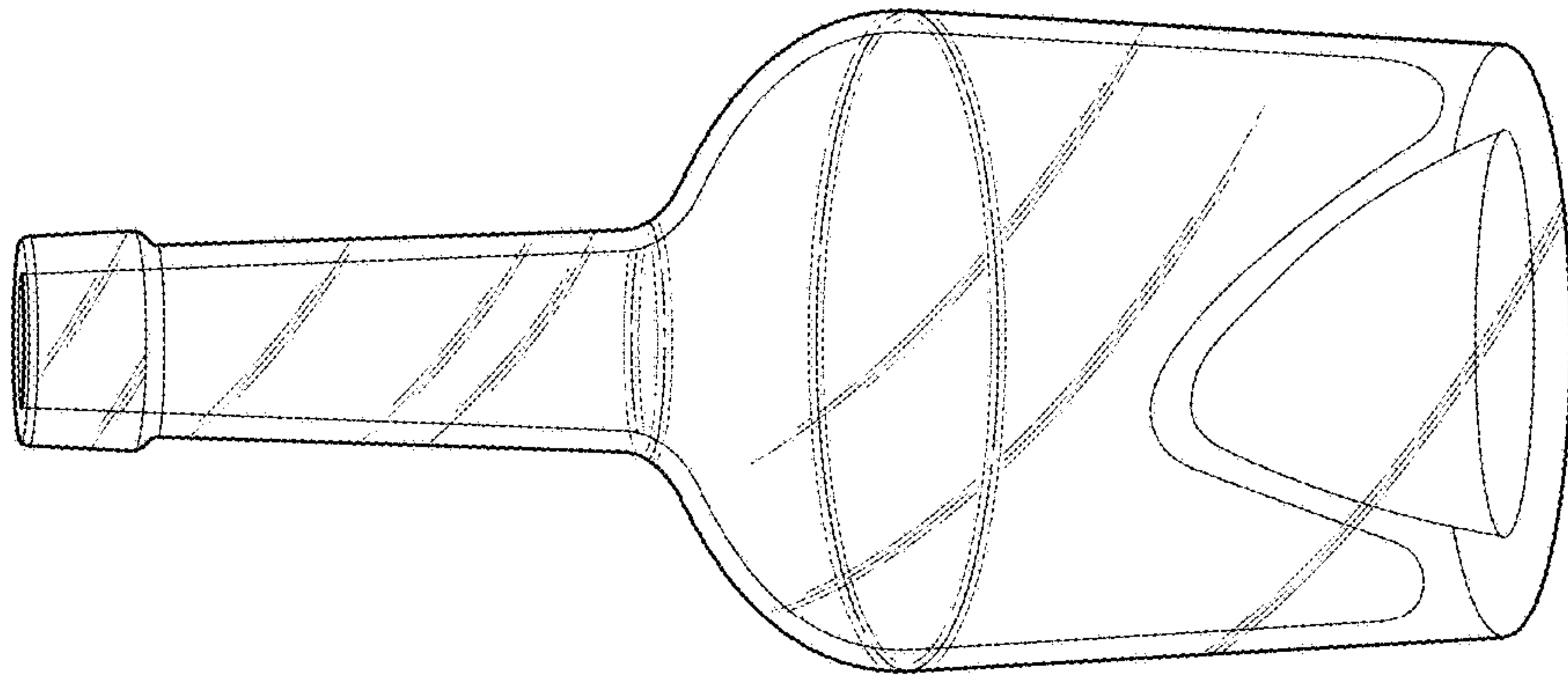


FIG. 8