



US00D856804S

(12) **United States Design Patent** (10) **Patent No.:** **US D856,804 S**
Levy et al. (45) **Date of Patent:** **** Aug. 20, 2019**

(54) **TRAVEL BOTTLE CAP WITH SLIDE LOCK**

(71) Applicant: **Navajo Manufacturing Company, Inc., Denver, CO (US)**

(72) Inventors: **Gordon Levy, Golden, CO (US); Shawn Shelton, Denver, CO (US)**

(73) Assignee: **Navajo Manufacturing Company, Inc., Denver, CO (US)**

(**) Term: **15 Years**

(21) Appl. No.: **29/637,600**

(22) Filed: **Feb. 20, 2018**

(51) **LOC (12) Cl.** **09-07**

(52) **U.S. Cl.**
USPC **D9/449**

(58) **Field of Classification Search**

USPC D9/414, 416, 425, 434, 435, 436, 438, D9/439, 440, 442, 443, 446-450, D9/452-457, 499, 503-505, 682, 685, D9/686; D7/387, 391, 392, 392.1, 393, D7/394, 396.1-396.4, 401.1, 503-505, D7/509-511, 538, 900; D3/201, 202, D3/203.2, 318; D28/91, 91.1
 CPC .. A61J 1/00; A61J 1/1412; B65D 1/00; B65D 1/02; B65D 1/10; B65D 1/46; B65D 2585/56; B65D 2585/545; B65D 41/00; B65D 41/38; B65D 41/56; B65D 41/62; B65D 47/00; B65D 47/06; B65D 47/08; B65D 2543/00046; B65D 2543/00092; B65D 2543/00296; B65D 5/46; B65D 2251/00

See application file for complete search history.

(56) **References Cited**

U.S. PATENT DOCUMENTS

2,582,360 A 1/1952 Sheridan
 3,094,255 A 6/1963 Hunter

3,358,890 A 12/1967 Dalfo
 3,460,719 A 8/1969 O'Donnell et al.
 3,484,023 A 12/1969 Meshberg
 3,655,099 A 4/1972 Hazard
 3,784,060 A 1/1974 Hazard
 3,847,313 A 11/1974 Micallef
 3,848,778 A 11/1974 Meshberg
 3,873,005 A 3/1975 Hazard
 3,874,568 A 4/1975 La Vange et al.

(Continued)

Primary Examiner — Michael A. Pratt

Assistant Examiner — Wendy L Arminio

(74) *Attorney, Agent, or Firm* — Studebaker & Brackett PC

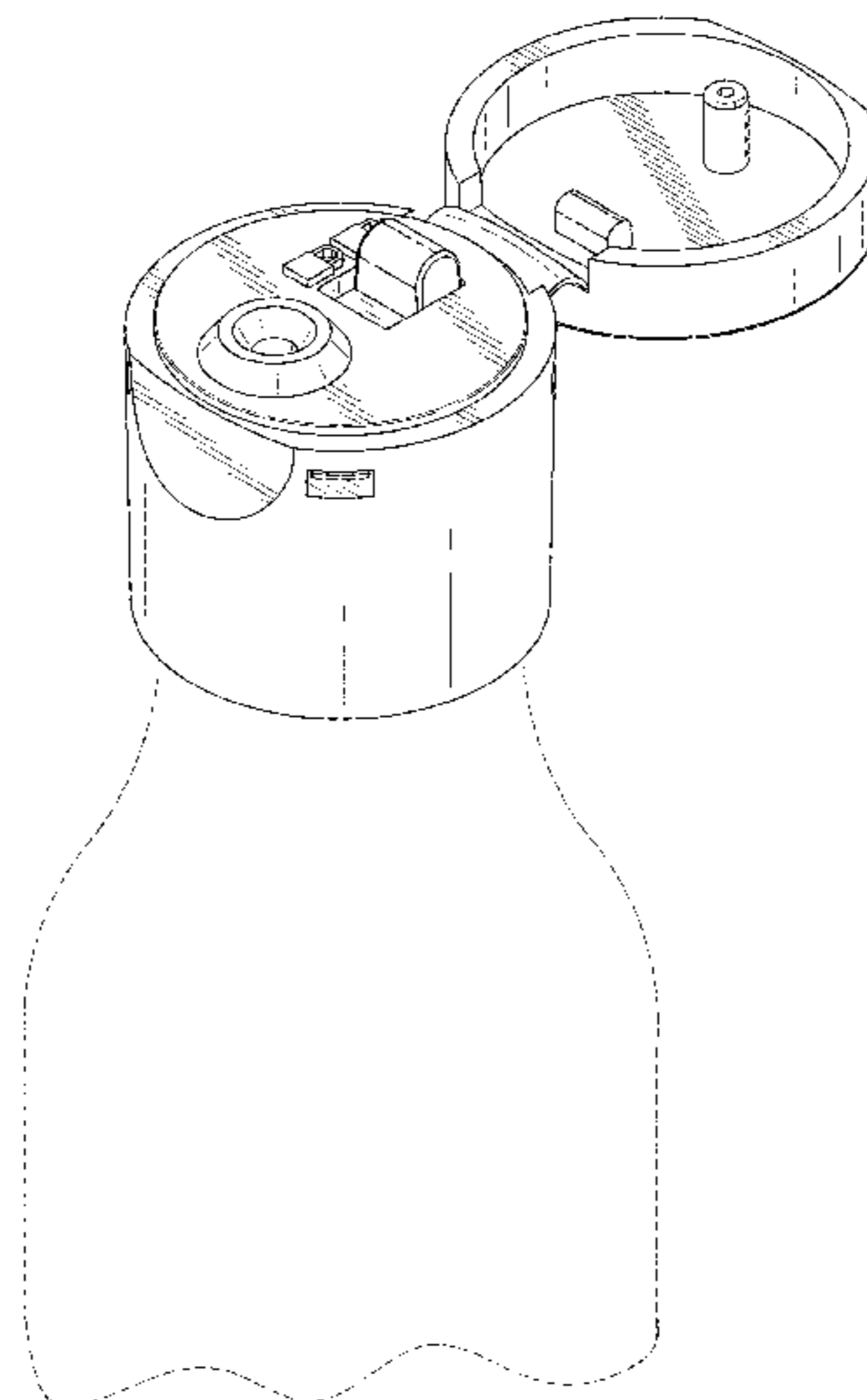
(57) **CLAIM**

The ornamental design for a travel bottle cap with slide lock, as shown and described.

DESCRIPTION

FIG. 1 is a front perspective view showing our new design for a travel bottle cap with slide lock with the lid portion and slide lock feature both shown in an open position, FIG. 2 is a front view thereof, FIG. 3 is a rear view thereof, FIG. 4 is a top view thereof, FIG. 5 is a bottom view thereof, FIG. 6 is a left side view thereof, FIG. 7 is a right side view thereof, FIG. 8 is a front perspective view of the travel bottle cap with slide lock of FIG. 1 shown with the lid portion in a closed position; and, FIG. 9 is a front perspective view of the travel bottle cap with slide lock of FIG. 1 shown with the lid portion in an open position and the slide lock feature in a closed position. The broken lines showing a bottle depict environment and form no part of the claimed design. All other broken lines depict portions of the travel bottle cap with slide lock that form no part of the claimed design.

1 Claim, 8 Drawing Sheets



(56)

References Cited

U.S. PATENT DOCUMENTS

4,081,113 A 3/1978 Hazard
 4,299,339 A 11/1981 Giroux et al.
 4,487,342 A 12/1984 Shy
 4,500,016 A 2/1985 Funfstuck
 4,542,837 A 9/1985 Rayner
 4,591,079 A 5/1986 Bigotte
 4,645,086 A 2/1987 Rosenthal
 4,666,068 A * 5/1987 Bush B65D 47/0885
 16/224
 4,776,501 A 10/1988 Ostrowsky
 4,779,773 A 10/1988 Bennett
 4,852,770 A 8/1989 Sledge et al.
 4,962,869 A 10/1990 Gross et al.
 5,141,129 A 8/1992 Jennings
 5,284,264 A 2/1994 Gross
 5,429,256 A * 7/1995 Kestenbaum A61J 1/2096
 215/247
 D370,845 S * 6/1996 Sherman D9/438
 5,577,626 A * 11/1996 Henkel B65D 47/0804
 215/237
 D434,659 S * 12/2000 Lonczak D9/449

D438,799 S * 3/2001 Anderson D9/449
 6,283,333 B1 9/2001 Knickerbocker et al.
 D455,077 S * 4/2002 Gaiser D9/449
 6,866,164 B2 * 3/2005 Branson B65D 47/0814
 222/153.14
 D508,853 S * 8/2005 Ziegenhorn D9/449
 D524,650 S * 7/2006 Sitomer D9/449
 D537,721 S * 3/2007 Kertels D9/449
 D585,742 S * 2/2009 Wilson D9/449
 D627,638 S * 11/2010 Bodet D9/448
 D638,705 S * 5/2011 Schawo D9/443
 D649,055 S * 11/2011 Fracasso D9/503
 D688,554 S * 8/2013 Fracasso D9/447
 D722,267 S * 2/2015 Miranda De Araujo D9/449
 9,120,605 B1 * 9/2015 Mar B65D 43/162
 D750,492 S * 3/2016 Campbell D9/448
 D755,048 S * 5/2016 Baissero D9/449
 D759,484 S * 6/2016 Pastre D9/449
 9,498,311 B2 * 11/2016 Kelchlin A61C 15/043
 10,167,120 B1 * 1/2019 Levy B65D 50/06
 2003/0038146 A1 2/2003 Meshberg
 2004/0112927 A1 6/2004 Kaufman et al.
 2015/0090736 A1 * 4/2015 Erickson B65D 83/205
 222/153.1

* cited by examiner

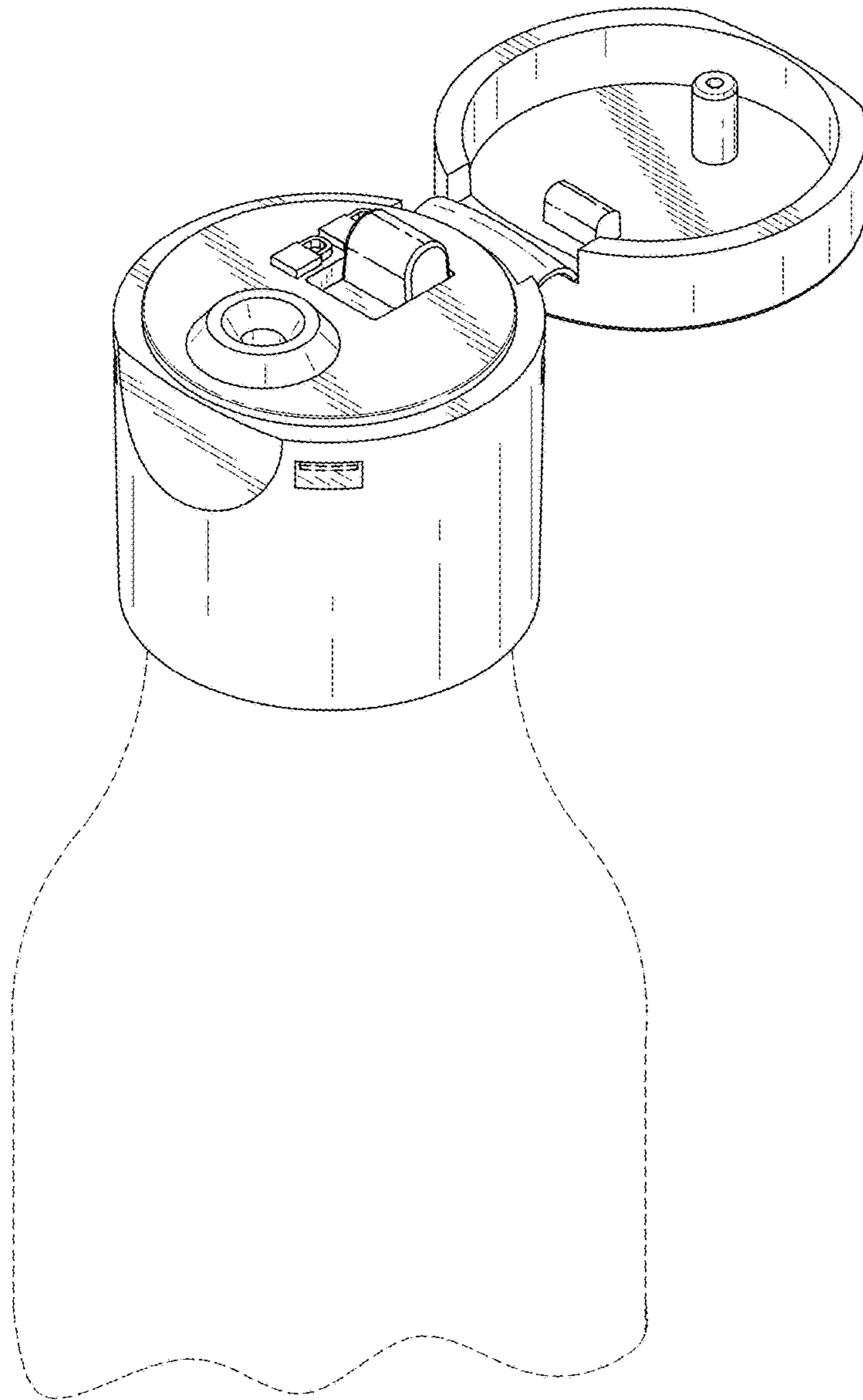


FIG. 1

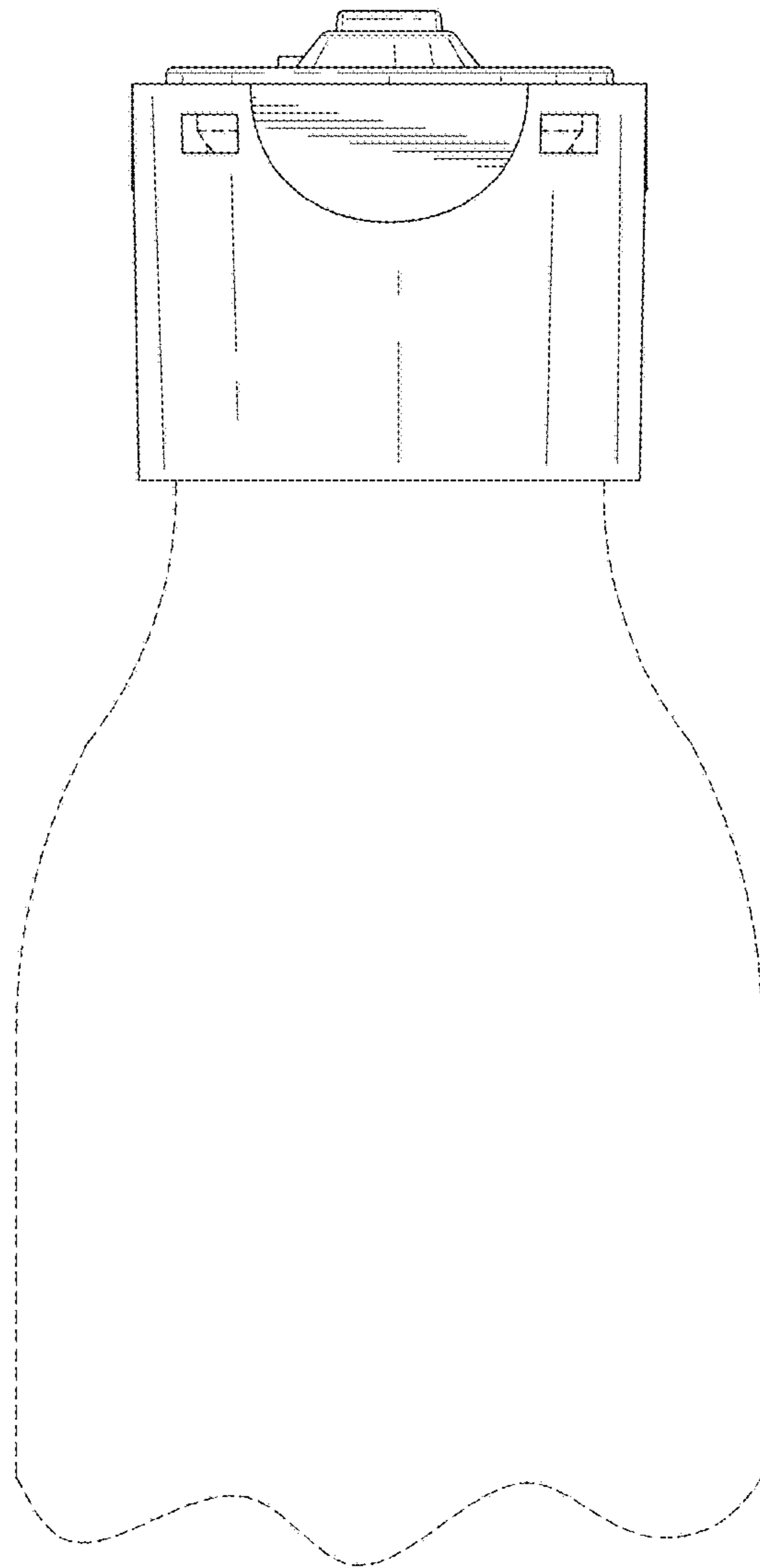


FIG. 2

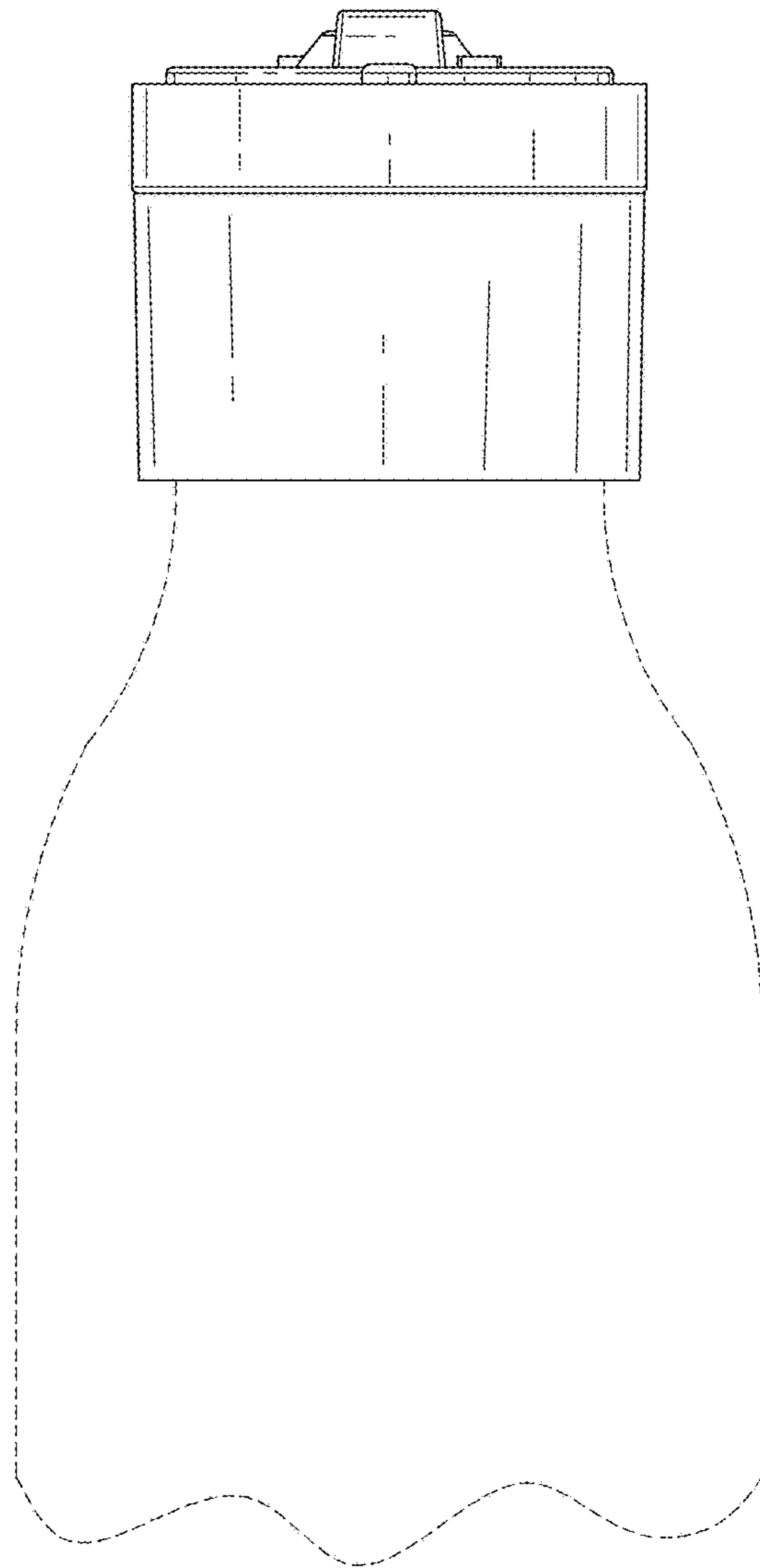


FIG. 3

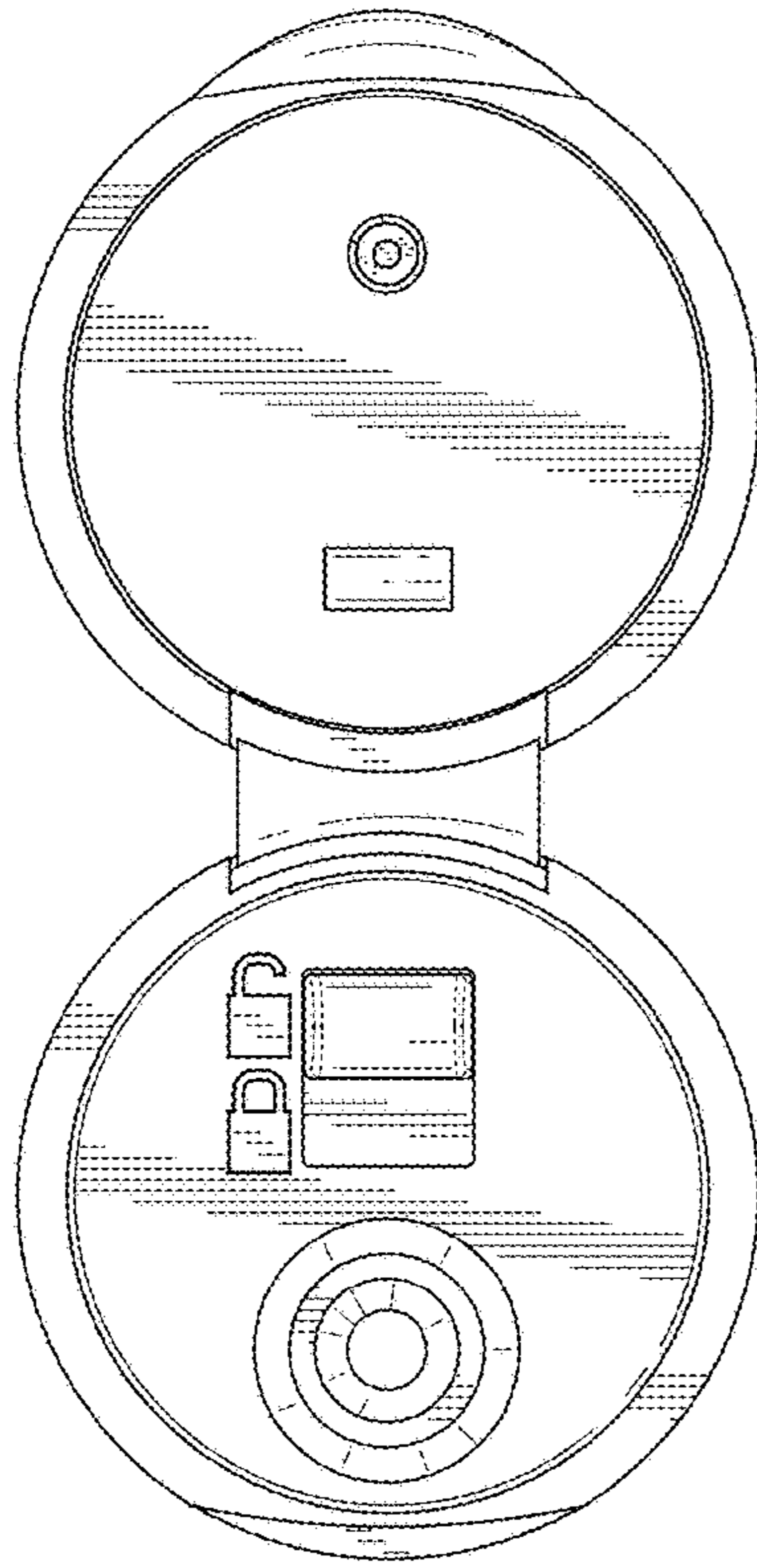


FIG. 4

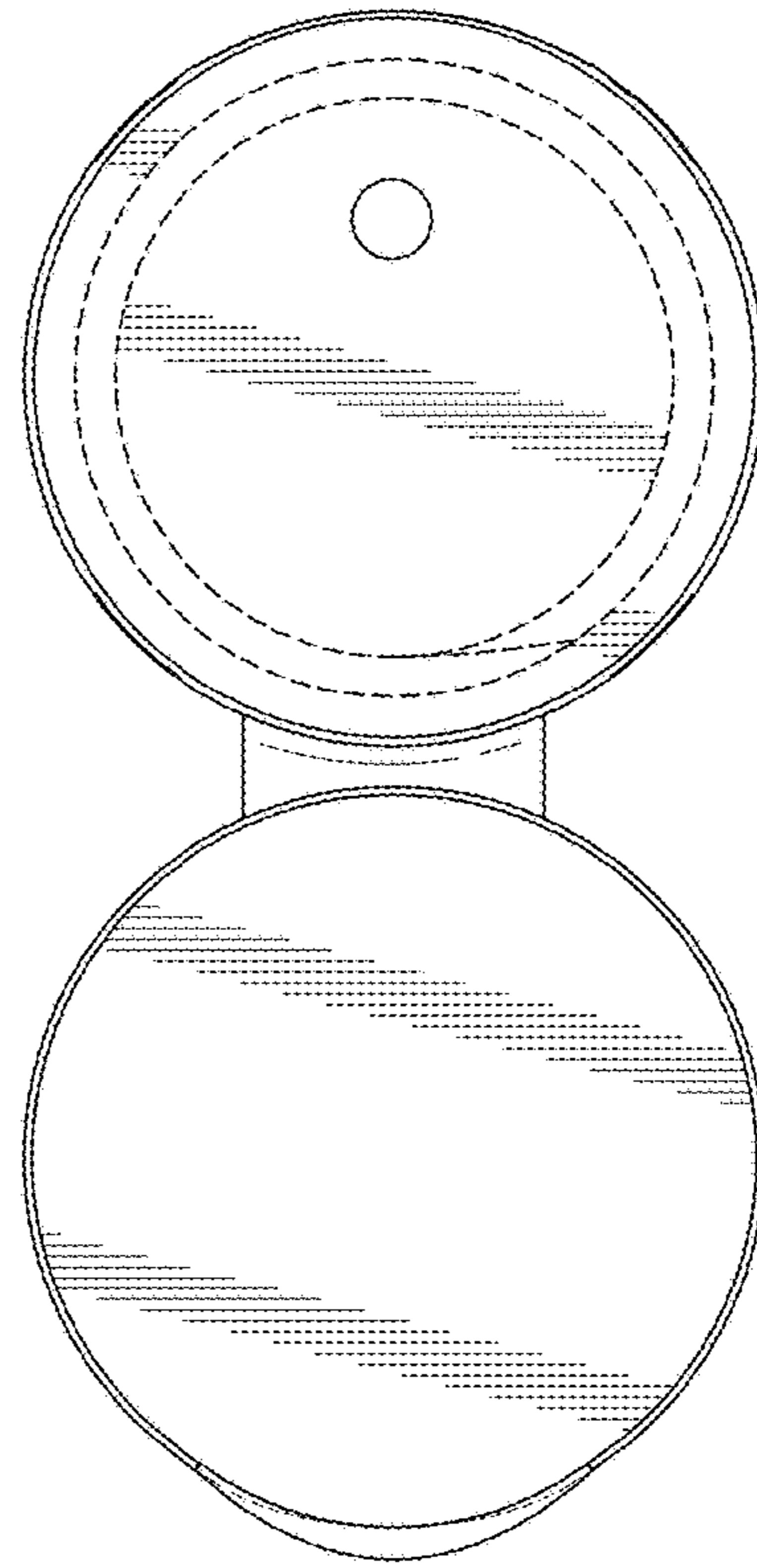


FIG. 5

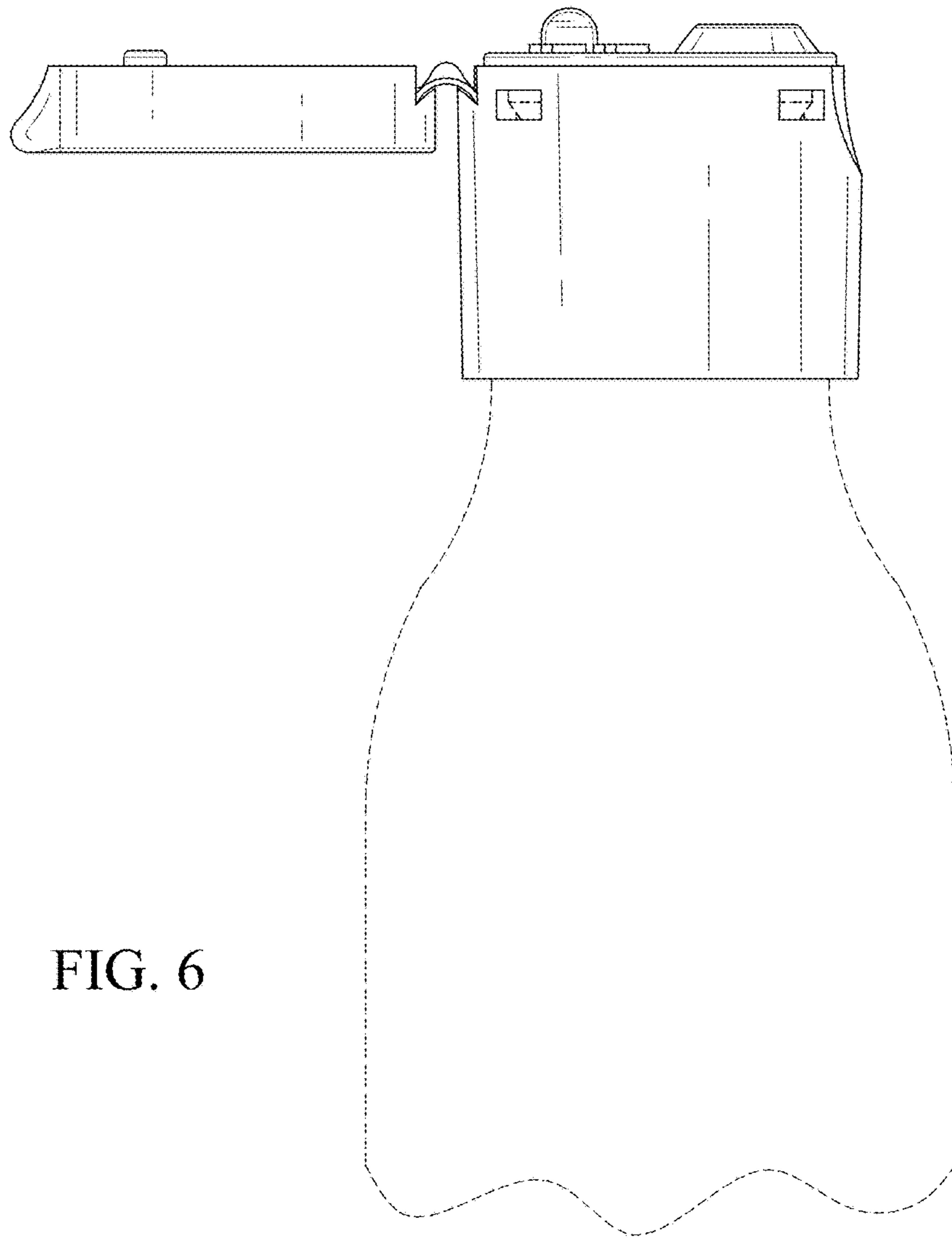


FIG. 6

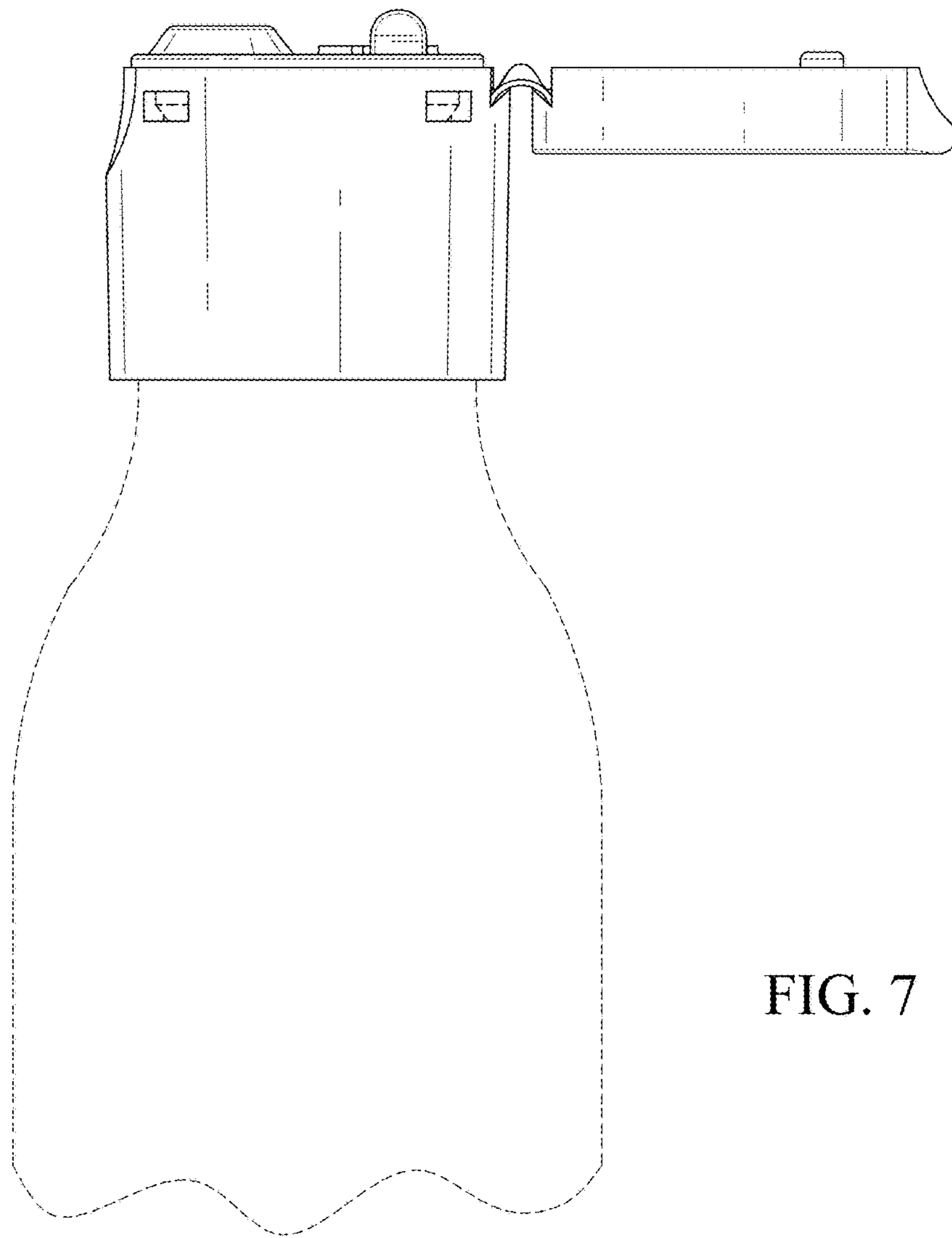


FIG. 7

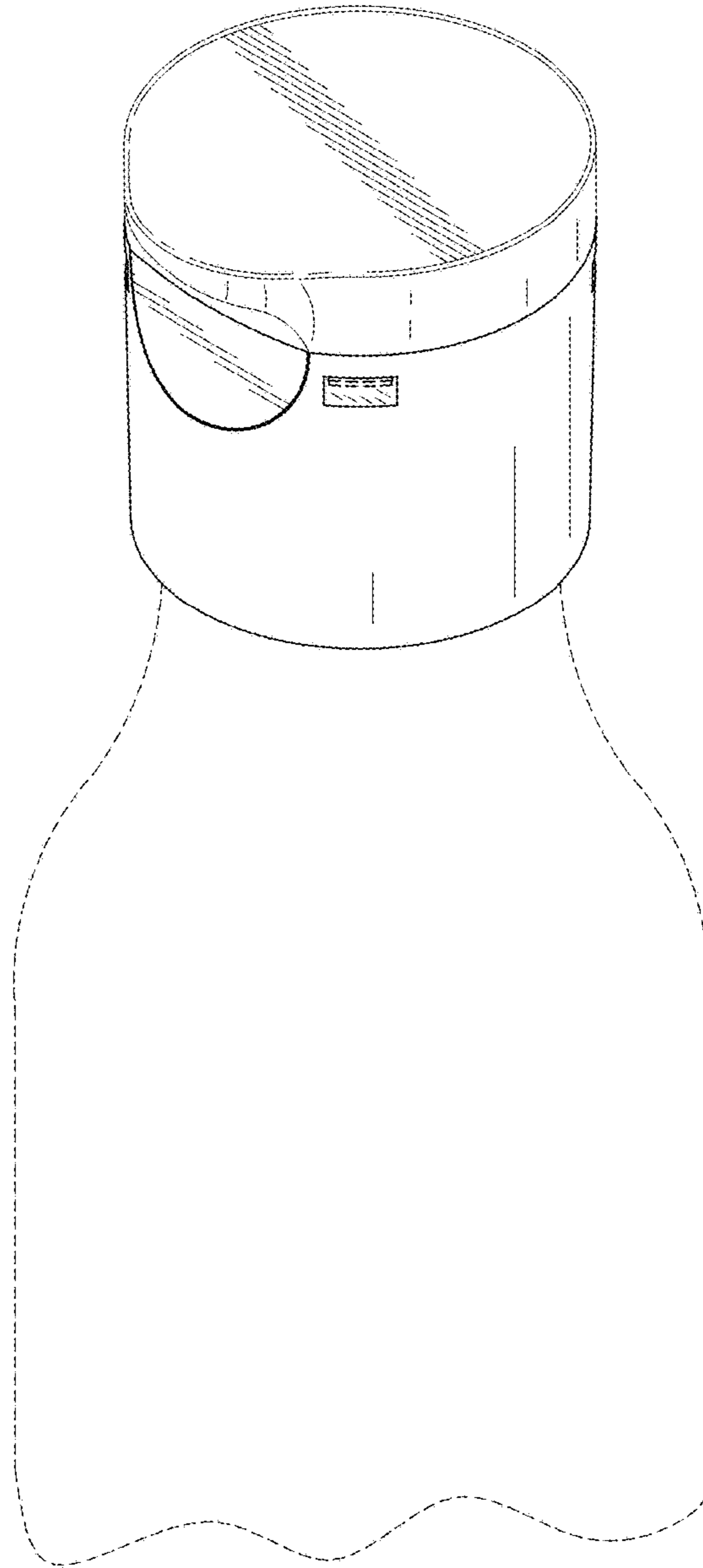


FIG. 8

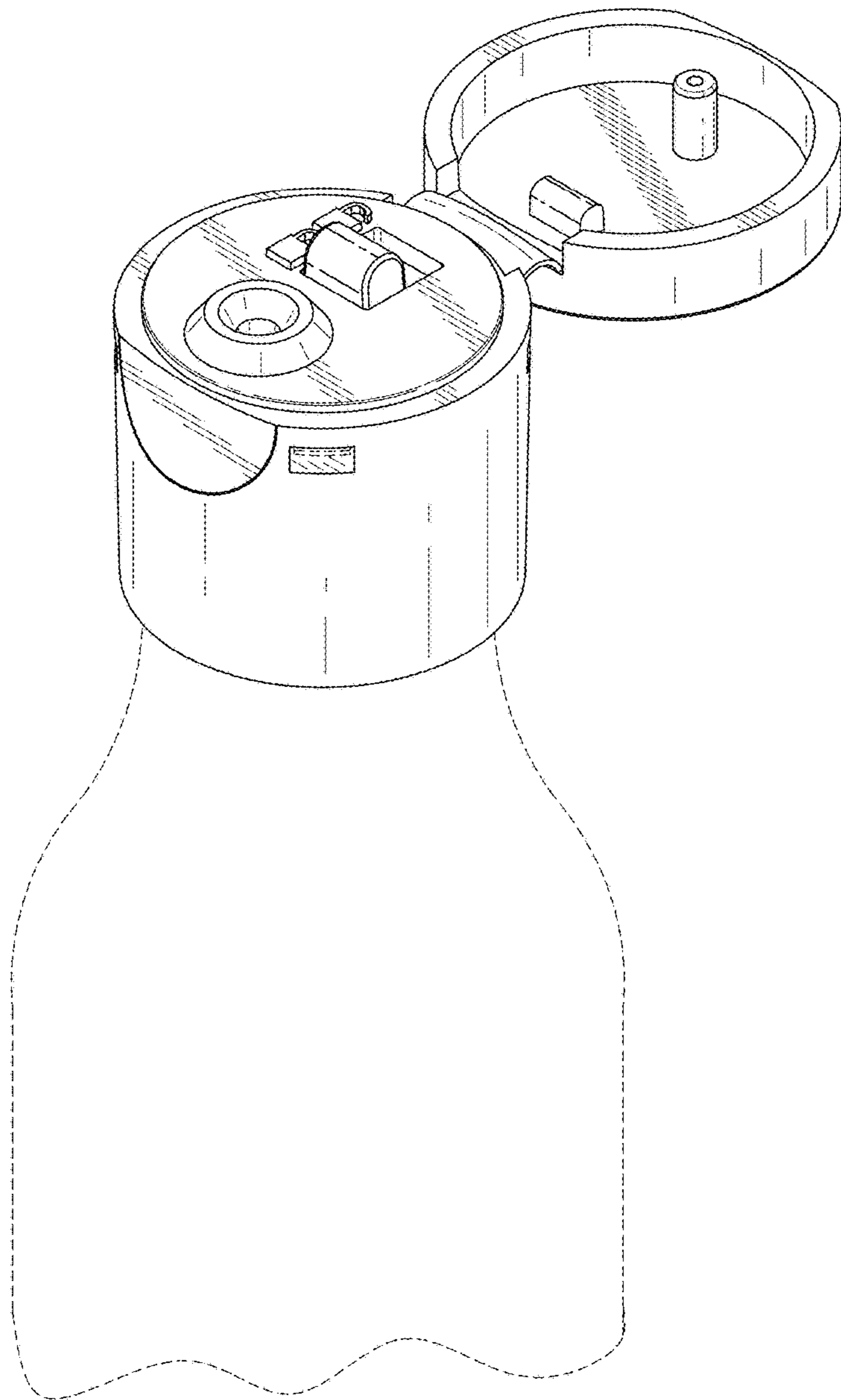


FIG. 9