



US00D856803S

(12) **United States Design Patent** (10) **Patent No.:** **US D856,803 S**
Kassler et al. (45) **Date of Patent:** **** Aug. 20, 2019**

(54) **LID WITH MULTIPLE SAUCE PACKET RECESSES**

B65D 2543/00296; B65D 5/46; B65D 2251/00

See application file for complete search history.

(71) Applicants: **Aaron Kassler**, Altamonte Springs, FL (US); **Rebecca Kassler**, Altamonte Springs, FL (US)

(56) **References Cited**

U.S. PATENT DOCUMENTS

D162,024 S * 2/1951 Goodwin D27/111
D255,530 S * 6/1980 Daenen D10/46.3
5,722,558 A * 3/1998 Thompson B65D 51/28
206/217
6,209,748 B1 * 4/2001 Dunbar B65D 51/24
220/212

(Continued)

(72) Inventors: **Aaron Kassler**, Altamonte Springs, FL (US); **Rebecca Kassler**, Altamonte Springs, FL (US)

(**) Term: **15 Years**

FOREIGN PATENT DOCUMENTS

(21) Appl. No.: **29/649,463**

CN 105813955 A 7/2016
KR 20020029004 A 4/2002
WO WO9826998 A1 6/1998

(22) Filed: **May 30, 2018**

Primary Examiner — Michael A. Pratt
Assistant Examiner — Wendy L Arminio

(51) **LOC (12) Cl.** **09-07**

(74) *Attorney, Agent, or Firm* — Allen, Dyer, Doppelt + Gilchrist, PA

(52) **U.S. Cl.**

USPC **D9/436**

(58) **Field of Classification Search**

(57) **CLAIM**

The ornamental design for a lid with multiple sauce packet recesses, as shown and described.

USPC D9/414, 416, 425, 434, 435, 436, 438, D9/439, 440, 442, 443, 446-450, D9/452-457, 499, 503-505, 682, 685, D9/686; D7/387, 391, 392, 392.1, 393, D7/394, 396.1-396.4, 401.1, 503-505, D7/509-511, 538, 900; D3/201, 202, D3/203.2, 318; D28/91, 91.1

CPC .. A61J 1/00; A61J 1/1412; B65D 1/00; B65D 1/02; B65D 1/10; B65D 1/46; B65D 2585/56; B65D 2585/545; B65D 41/00; B65D 41/38; B65D 41/56; B65D 41/62; B65D 47/00; B65D 47/06; B65D 47/08; B65D 2543/00046; B65D 2543/00092;

DESCRIPTION

FIG. 1 is a top perspective view of the lid with multiple sauce packet recesses, according to the present design; FIG. 2 is a front side view of the lid with multiple sauce packet recesses, according to the present design; FIG. 3 is a back side view of the lid with multiple sauce packet recesses, according to the present design; FIG. 4 is a right side view of the lid with multiple sauce packet recesses, according to the present design; FIG. 5 is a left side view of the lid with multiple sauce packet recesses, according to the present design; FIG. 6 is a top side view of the lid with multiple sauce packet recesses, according to the present design; and,

(Continued)

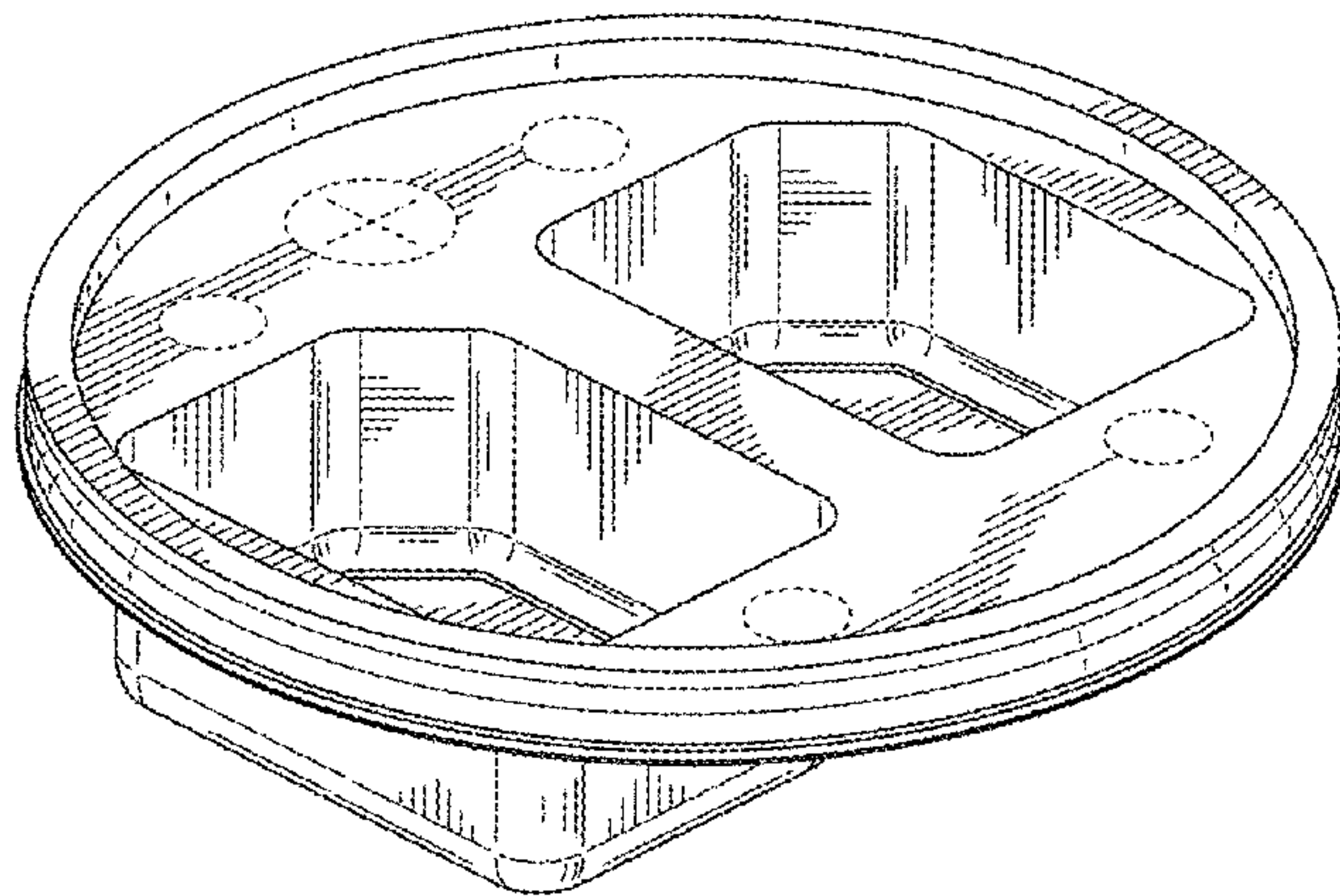


FIG. 7 is a bottom side view of the lid with multiple sauce packet recesses, according to the present design.

The circular broken lines define the boundaries of the claim and along with the spaces contained within them, form no part thereof.

All other broken lines depict portions of the lid with multiple sauce packet recesses that form no part of the claimed design.

1 Claim, 5 Drawing Sheets

(56)

References Cited

U.S. PATENT DOCUMENTS

D536,923	S	*	2/2007	Roth	D7/392.1
D556,037	S	*	11/2007	D'Amato	D9/454
D588,002	S	*	3/2009	D'Amato	D9/447
D619,000	S	*	7/2010	Scheve	D9/435
D642,915	S	*	8/2011	Swingle	D9/440
D660,659	S	*	5/2012	Cohen	D7/629
D661,186	S	*	6/2012	Snyder	435/447
8,231,026	B2		7/2012	White		

D713,248	S	*	9/2014	Kotyuk	D9/454
8,973,776	B1		3/2015	Buck		
9,038,845	B1	*	5/2015	Buck	B65D 51/28 220/521
D731,313	S	*	6/2015	Kotyuk	D9/436
D731,889	S	*	6/2015	Kotyuk	D9/436
9,181,009	B1		11/2015	Buck		
9,340,333	B2	*	5/2016	Polt	B65D 43/065
D763,621	S	*	8/2016	Szymanski	D7/392.1
9,751,666	B2	*	9/2017	Brannock	B65D 43/0212
D807,171	S	*	1/2018	Miller	D9/435
D832,057	S	*	10/2018	Namyst, III	D7/602
D833,212	S	*	11/2018	Buck	D7/392.1
D835,457	S	*	12/2018	Sedgwick	D7/392.1
D835,458	S	*	12/2018	Sedgwick	D7/392.1
D835,459	S	*	12/2018	Sedgwick	D7/392.1
2004/0149755	A1	*	8/2004	Olivar	A47G 19/065 220/212
2005/0178766	A1	*	8/2005	Washington	B65D 43/0212 220/212
2005/0255201	A1		11/2005	Gruhot et al.		
2007/0090107	A1		4/2007	White		
2014/0030390	A1		1/2014	Coyle et al.		
2014/0042178	A1		2/2014	Brannock		
2015/0144628	A1		5/2015	Piper		

* cited by examiner

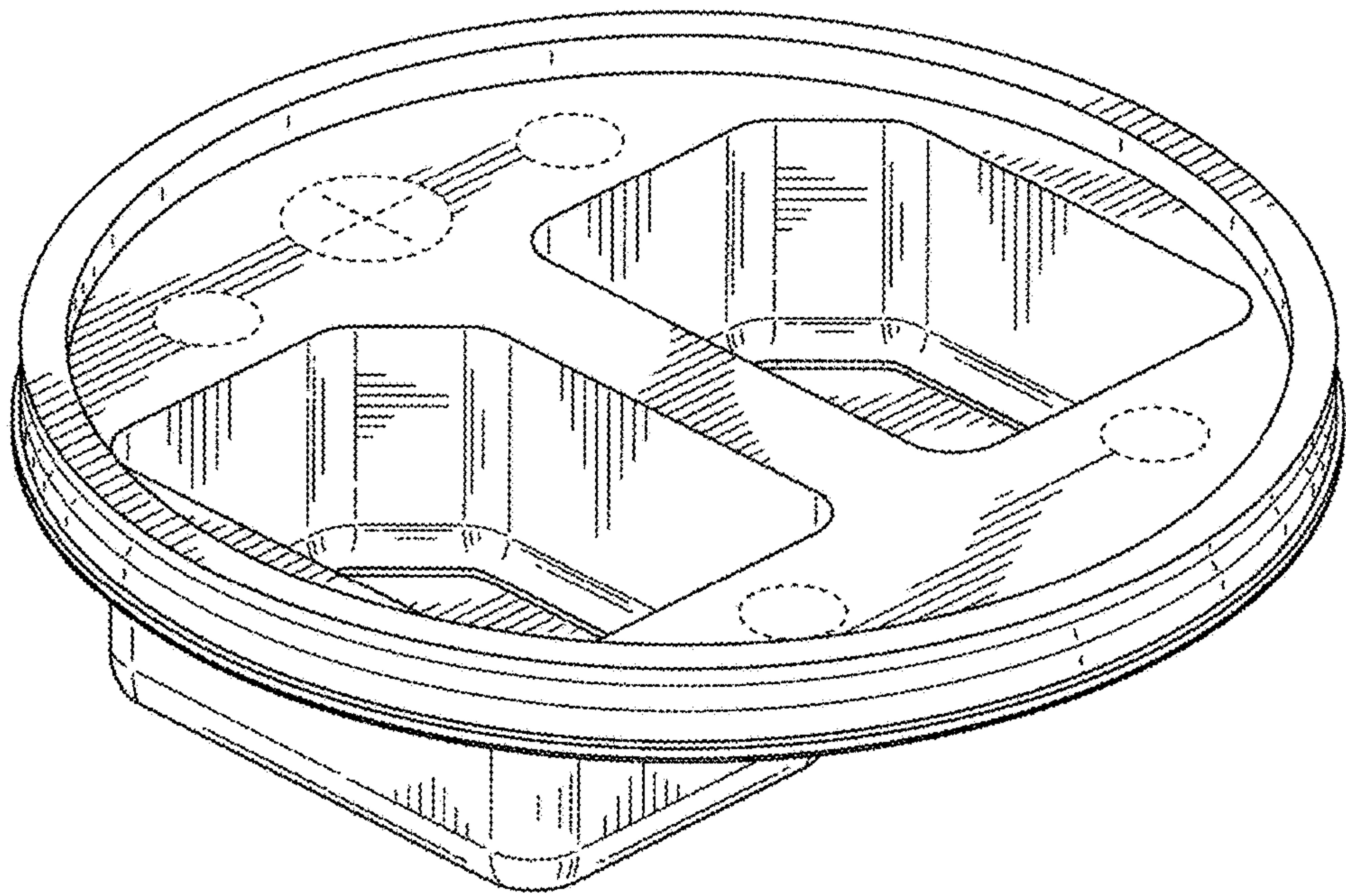


FIG. 1

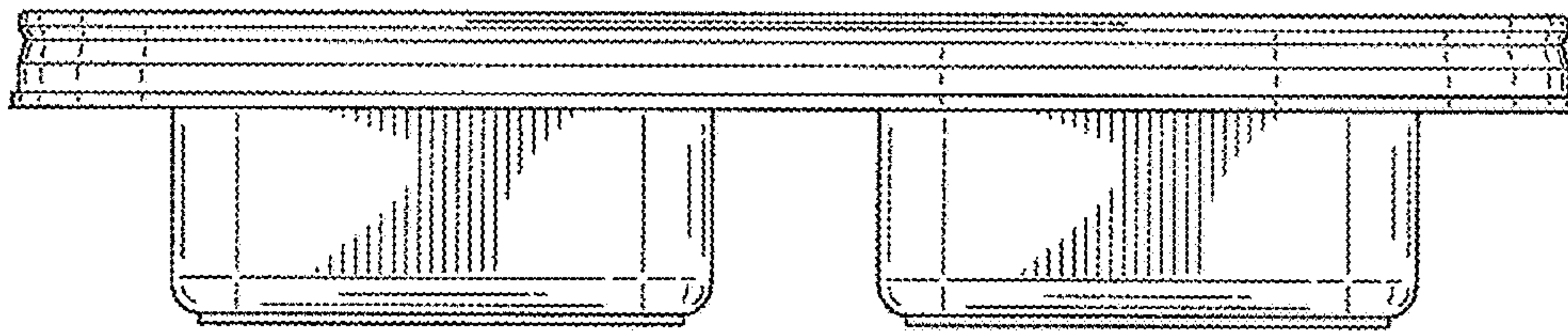


FIG. 2

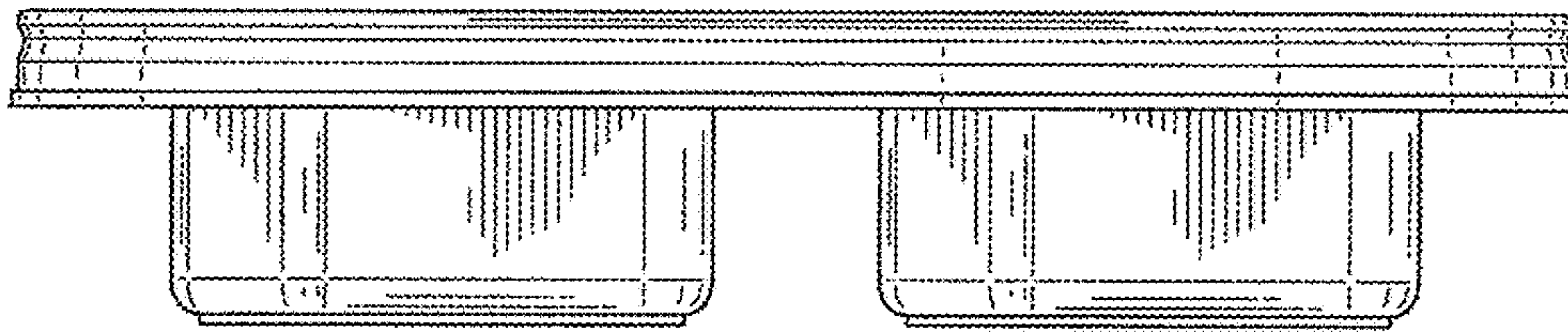


FIG. 3

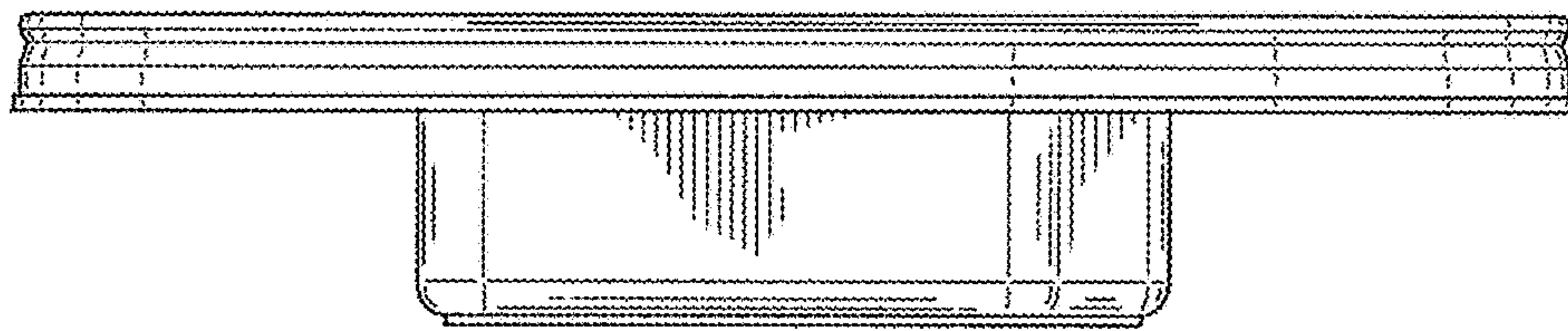


FIG. 4

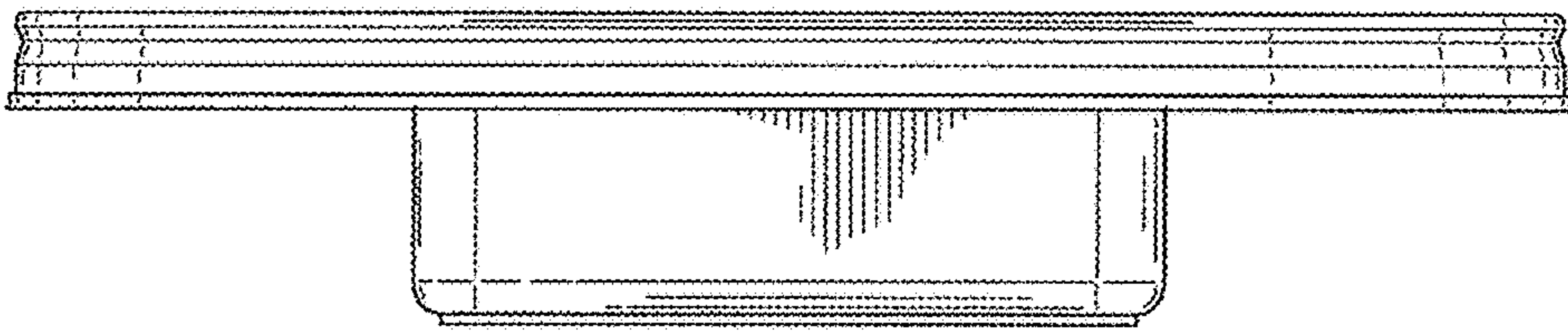


FIG. 5

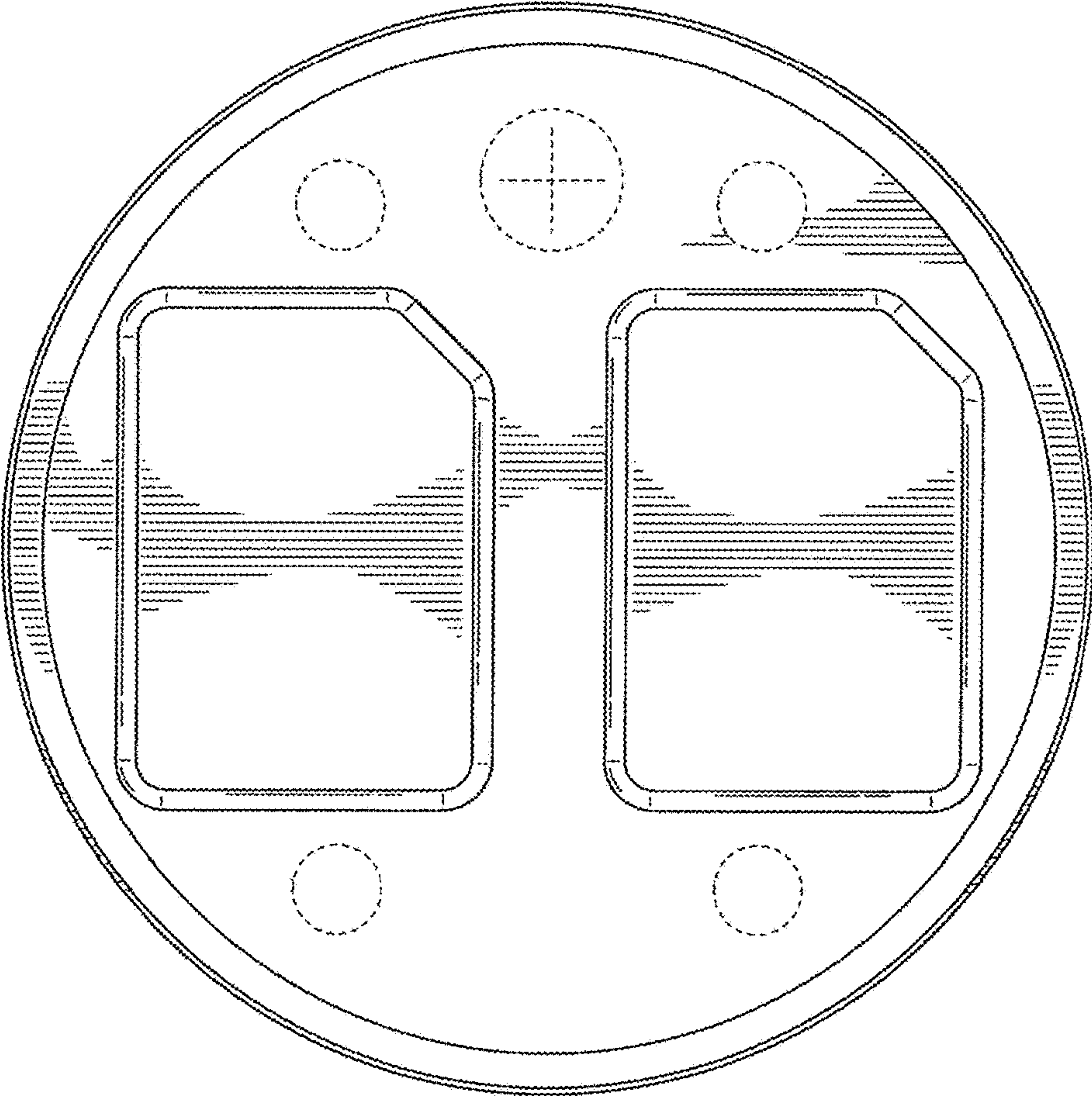


FIG. 6

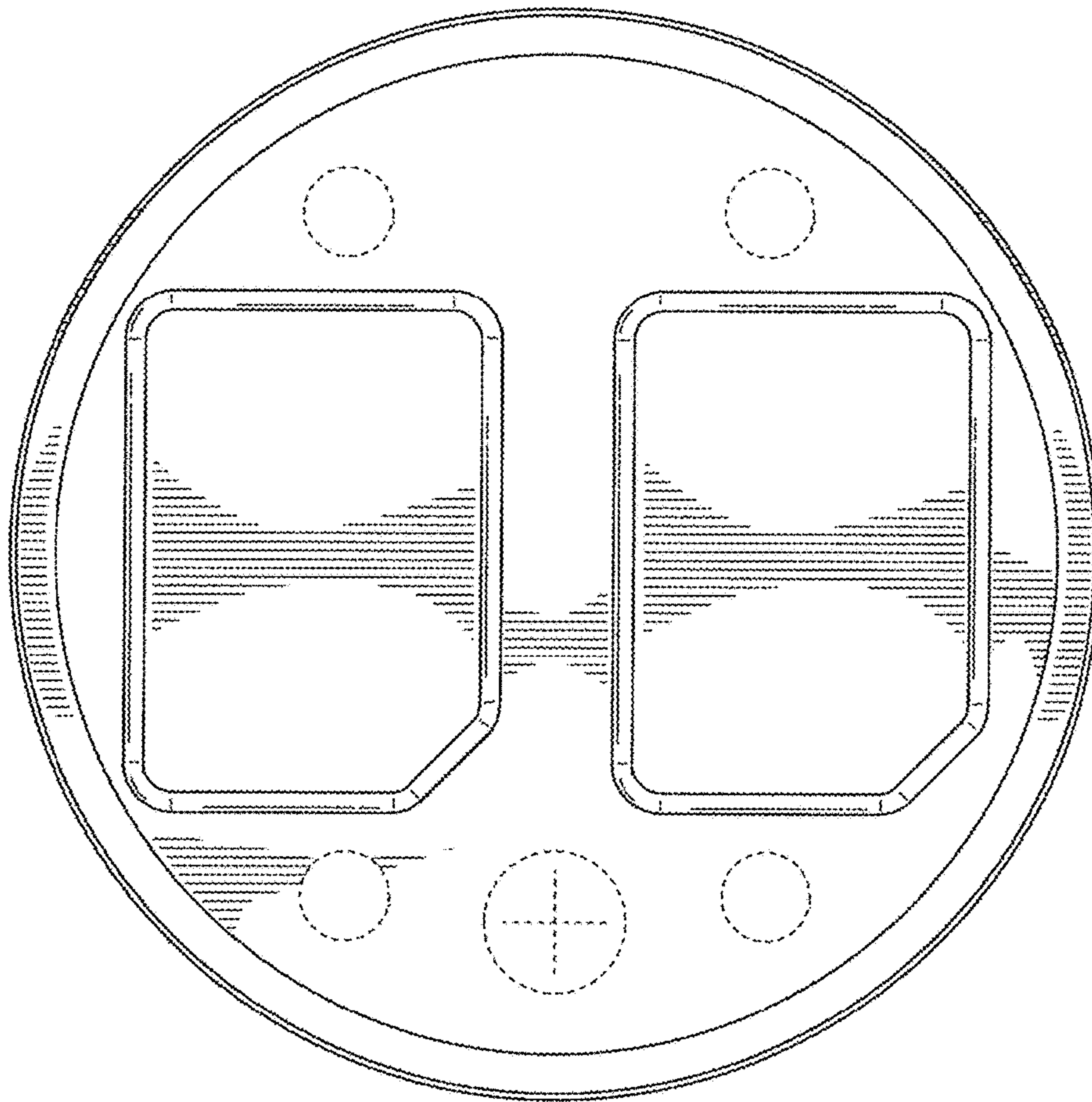


FIG. 7