



US00D856802S

(12) **United States Design Patent** (10) **Patent No.:** **US D856,802 S**
Kassler et al. (45) **Date of Patent:** **** Aug. 20, 2019**

- (54) **LID WITH SINGLE SAUCE PACKET RECESS** 5,722,558 A * 3/1998 Thompson B65D 51/28
206/217
6,209,748 B1 * 4/2001 Dunbar B65D 51/24
220/212
- (71) Applicants: **Aaron Kassler**, Altamonte Springs, FL (US); **Rebecca Kassler**, Altamonte Springs, FL (US) D536,923 S * 2/2007 Roth D7/392.1
D556,037 S * 11/2007 D'Amato D9/454
D588,002 S * 3/2009 D'Amato D9/447
D619,000 S * 7/2010 Scheve D9/435
D642,915 S * 8/2011 Swingle D9/440
D660,659 S * 5/2012 Cohen D7/629
- (72) Inventors: **Aaron Kassler**, Altamonte Springs, FL (US); **Rebecca Kassler**, Altamonte Springs, FL (US) (Continued)

(**) Term: **15 Years**

FOREIGN PATENT DOCUMENTS

- (21) Appl. No.: **29/649,459**
- (22) Filed: **May 30, 2018**
- (51) **LOC (12) Cl.** **09-07**
- (52) **U.S. Cl.**
USPC **D9/436**

CN	105813955 A	7/2016
KR	20020029004 A	4/2002
WO	WO9826998 A1	6/1998

Primary Examiner — Michael A. Pratt
Assistant Examiner — Wendy L Arminio
 (74) *Attorney, Agent, or Firm* — Allen, Dyer, Doppelt + Gilchrist, PA

- (58) **Field of Classification Search**
USPC D9/414, 416, 425, 434, 435, 436, 438, D9/439, 440, 442, 443, 446-450, D9/452-457, 499, 503-505, 682, 685, D9/686; D7/387, 391, 392, 392.1, 393, D7/394, 396.1-396.4, 401.1, 503-505, D7/509-511, 538, 900; D3/201, 202, D3/203.2, 318; D28/91, 91.1
CPC .. A61J 1/00; A61J 1/1412; B65D 1/00; B65D 1/02; B65D 1/10; B65D 1/46; B65D 2585/56; B65D 2585/545; B65D 41/00; B65D 41/38; B65D 41/56; B65D 41/62; B65D 47/00; B65D 47/06; B65D 47/08; B65D 2543/00046; B65D 2543/00092; B65D 2543/00296; B65D 5/46; B65D 2251/00

(57) **CLAIM**

The ornamental design for a lid with single sauce packet recess, as shown and described.

DESCRIPTION

FIG. 1 is a top perspective view of the lid with single sauce packet recess, according to the present design;
 FIG. 2 is a front side view of the lid with single sauce packet recess, according to the present design;
 FIG. 3 is a back side view of the lid with single sauce packet recess, according to the present design;
 FIG. 4 is a right side view of the lid with single sauce packet recess, according to the present design;
 FIG. 5 is a left side view of the lid with single sauce packet recess, according to the present design;
 FIG. 6 is a top side view of the lid with single sauce packet recess, according to the present design; and,
 FIG. 7 is a bottom side view of the lid with single sauce packet recess, according to the present design.

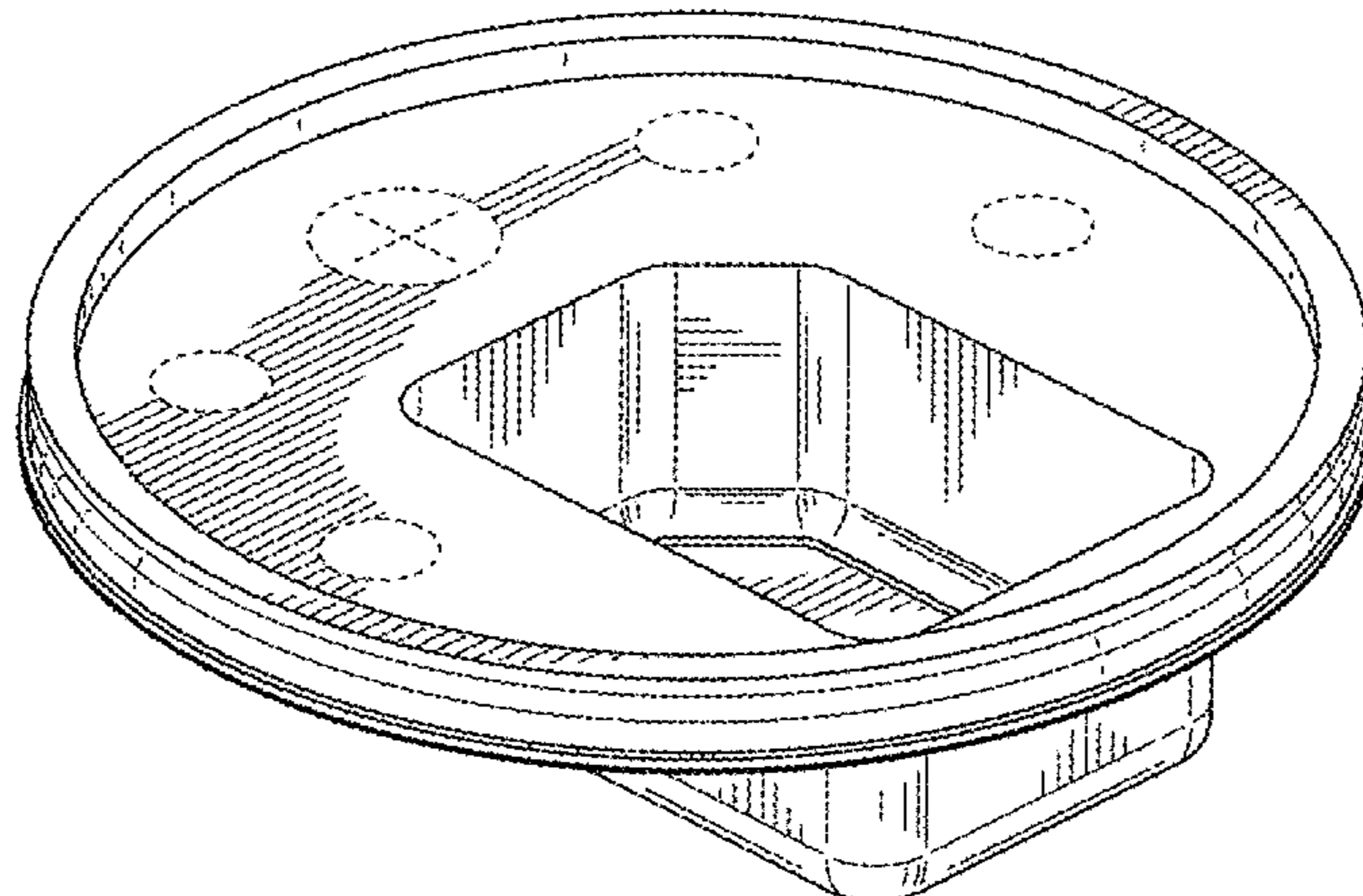
See application file for complete search history.

(56) **References Cited**

U.S. PATENT DOCUMENTS

- D162,024 S * 2/1951 Goodwin D27/111
- D255,530 S * 6/1980 Daenen D10/46.3

1 Claim, 5 Drawing Sheets



(56)

References Cited

U.S. PATENT DOCUMENTS

D661,186	S *	6/2012	Snyder	435/447
8,231,026	B2	7/2012	White		
D713,248	S *	9/2014	Kotyuk	D9/454
8,973,776	B1	3/2015	Buck		
9,038,845	B1 *	5/2015	Buck	B65D 51/28
					220/521
D731,313	S *	6/2015	Kotyuk	D9/436
D731,889	S *	6/2015	Kotyuk	D9/436
9,181,009	B1	11/2015	Buck		
9,340,333	B2 *	5/2016	Polt	B65D 43/065
D763,621	S *	8/2016	Szymanski	D7/392.1
9,751,666	B2 *	9/2017	Brannock	B65D 43/0212
D807,171	S *	1/2018	Miller	D9/435
D832,057	S *	10/2018	Namyst, III	D7/602
D833,212	S *	11/2018	Buck	D7/392.1
D835,457	S *	12/2018	Sedgwick	D7/392.1
D835,458	S *	12/2018	Sedgwick	D7/392.1
D835,459	S *	12/2018	Sedgwick	D7/392.1
2004/0149755	A1 *	8/2004	Olivar	A47G 19/065
					220/212
2005/0178766	A1 *	8/2005	Washington	B65D 43/0212
					220/212
2005/0255201	A1	11/2005	Gruhot et al.		
2007/0090107	A1	4/2007	White		
2014/0030390	A1	1/2014	Coyle et al.		
2014/0042178	A1	2/2014	Brannock		
2015/0144628	A1	5/2015	Piper		

* cited by examiner

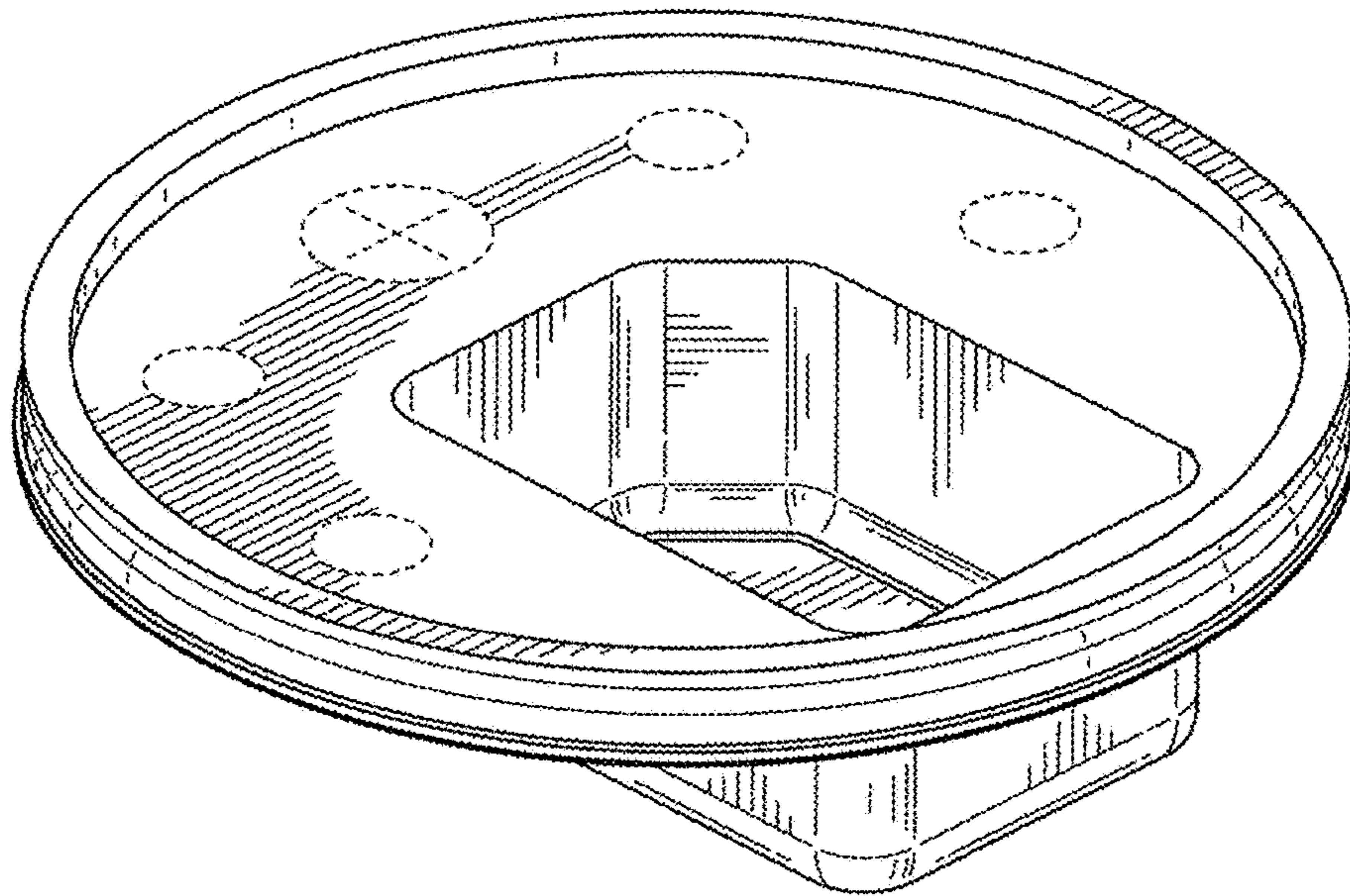


FIG. 1

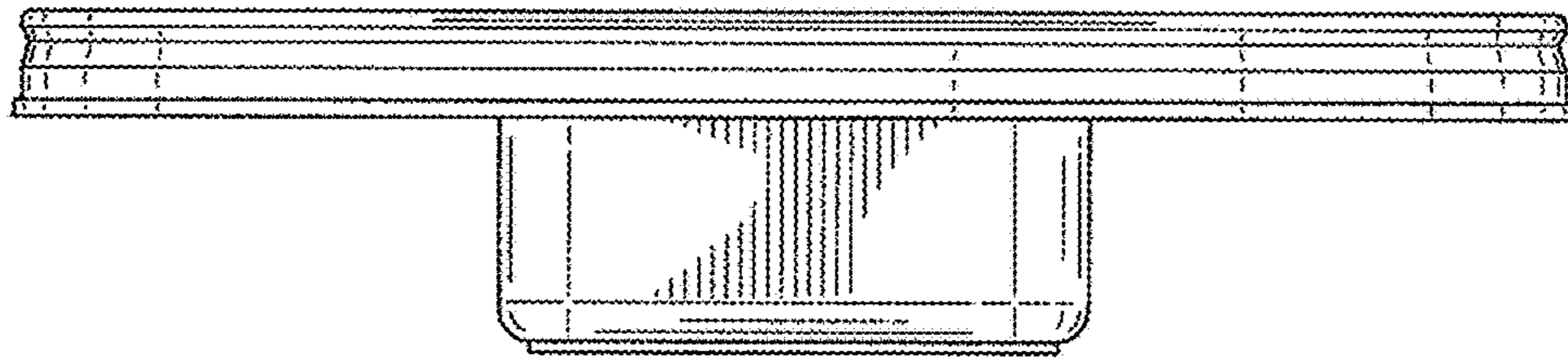


FIG. 2

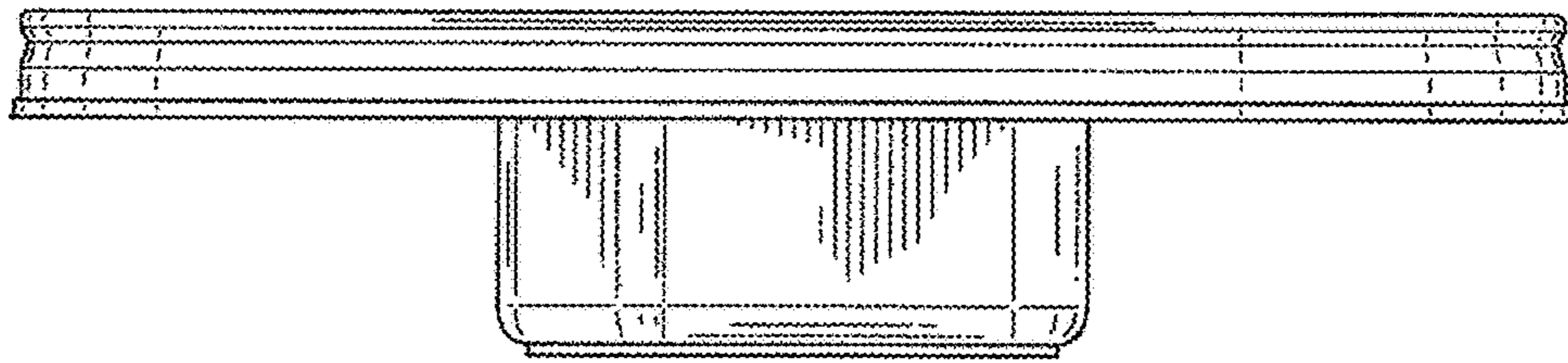


FIG. 3

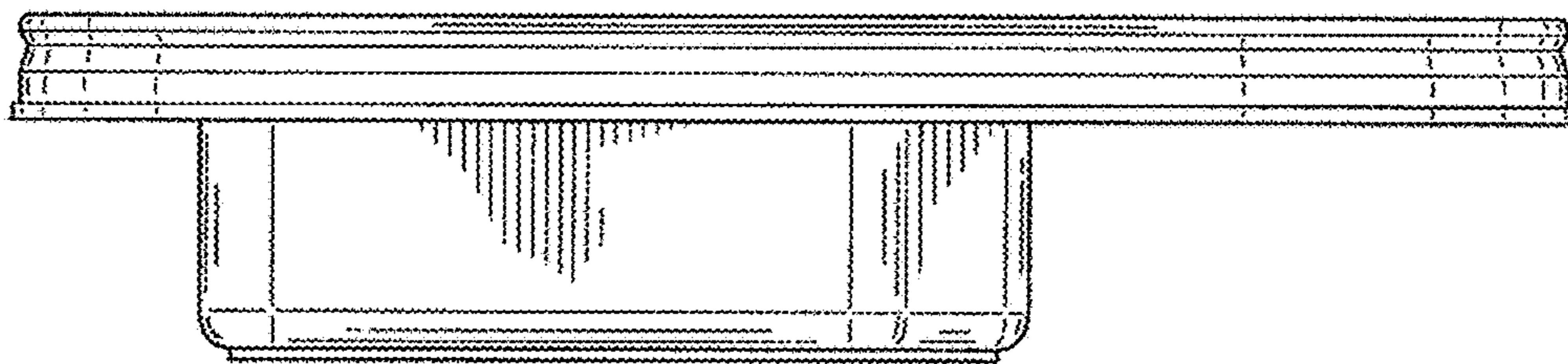


FIG. 4

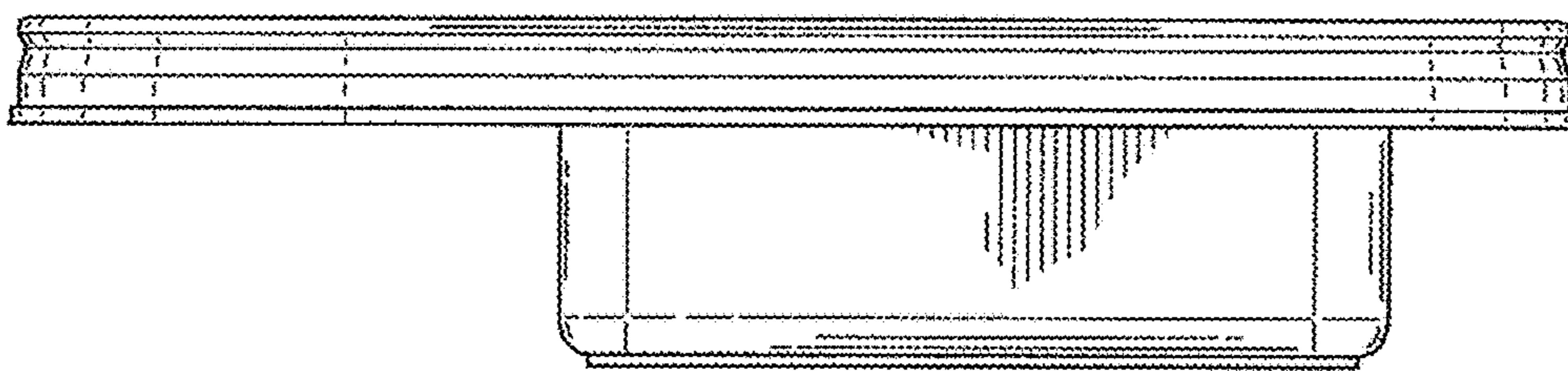


FIG. 5

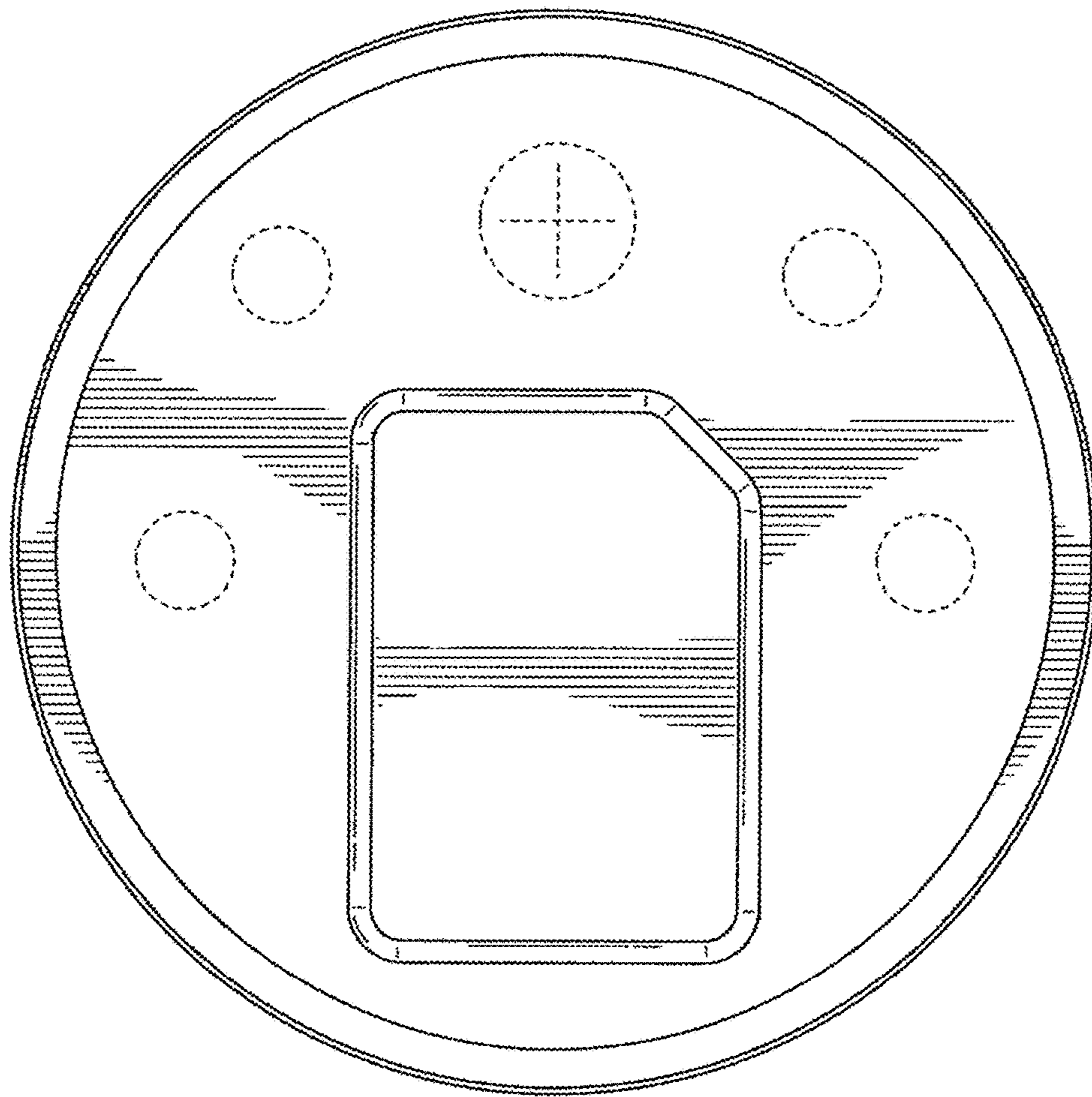


FIG. 6

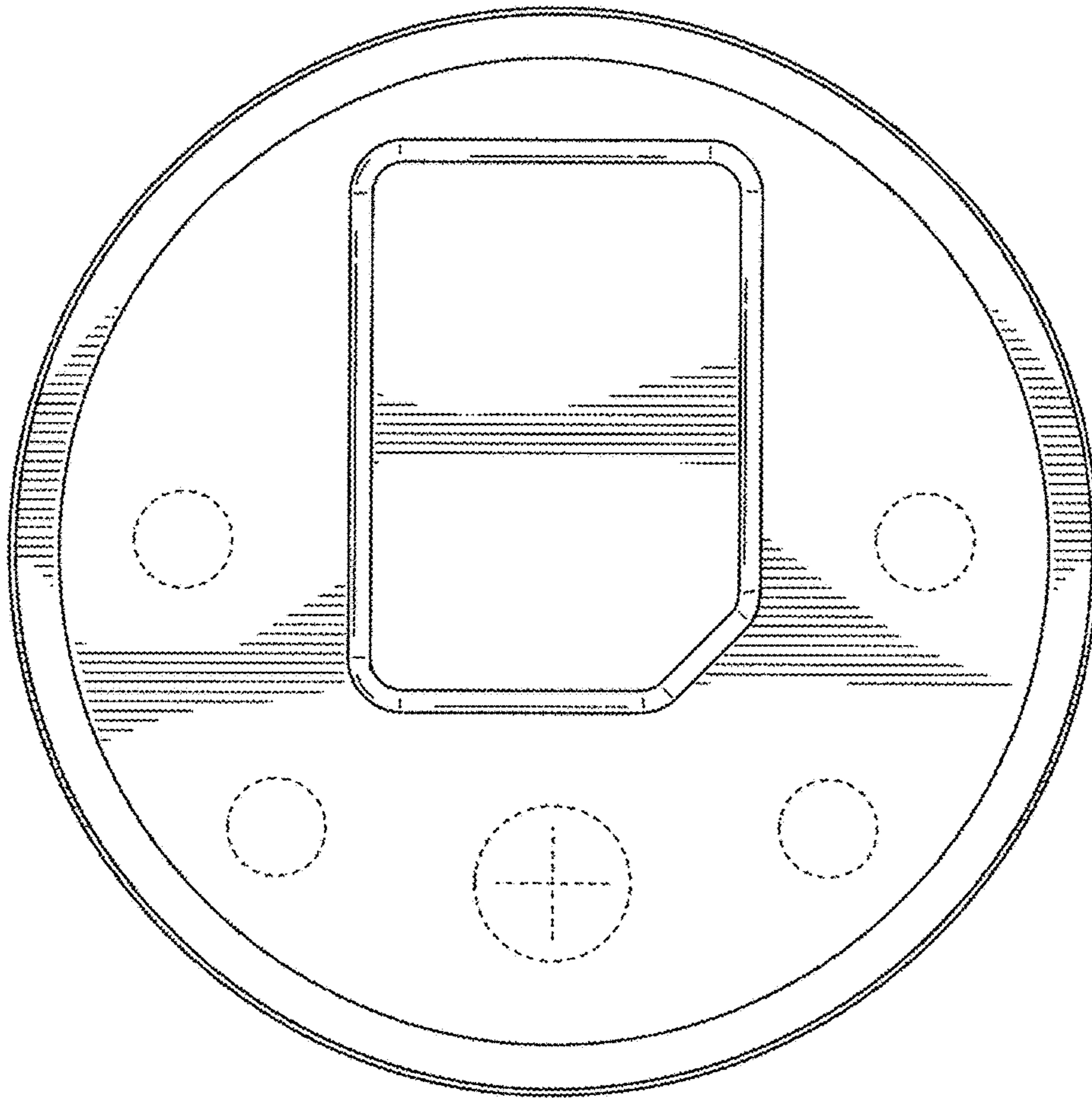


FIG. 7