



US00D856800S

(12) **United States Design Patent** (10) **Patent No.:** **US D856,800 S**
Mayer (45) **Date of Patent:** **** Aug. 20, 2019**

(54) **PACKAGING BOX**
(71) Applicant: **Markus Mayer**, Lindau (DE)
(72) Inventor: **Markus Mayer**, Lindau (DE)
(73) Assignee: **Rose Plastic AG** (DE)
(**) Term: **15 Years**
(21) Appl. No.: **29/587,250**
(22) Filed: **Dec. 12, 2016**
(51) **LOC (12) Cl.** **09-03**
(52) **U.S. Cl.**
USPC **D9/428**
(58) **Field of Classification Search**
USPC D9/414, 424, 426, 428, 430; D7/601,
D7/602, 630; D3/201, 273, 274, 276,
D3/294, 316
CPC B65D 11/02; B65D 2543/00296; B65D
2543/00351; B65D 2543/00694; B65D
2543/00805; B65D 11/188; B65D
2543/00092
See application file for complete search history.

(56) **References Cited**
U.S. PATENT DOCUMENTS
3,850,335 A * 11/1974 Kreutzweiser B65D 11/02
220/840
D346,961 S * 5/1994 Kupperman D9/424
D625,604 S * 10/2010 Zaslow D9/449
D642,918 S * 8/2011 Taylor D9/453
D687,678 S * 8/2013 Del Solar D7/538
D687,709 S * 8/2013 Taylor D9/453
D695,576 S * 12/2013 Roehrig D7/629
D709,335 S * 7/2014 Stamatopoulos D7/605
D795,059 S * 8/2017 Buck D9/428
D803,677 S * 11/2017 Yang D9/428

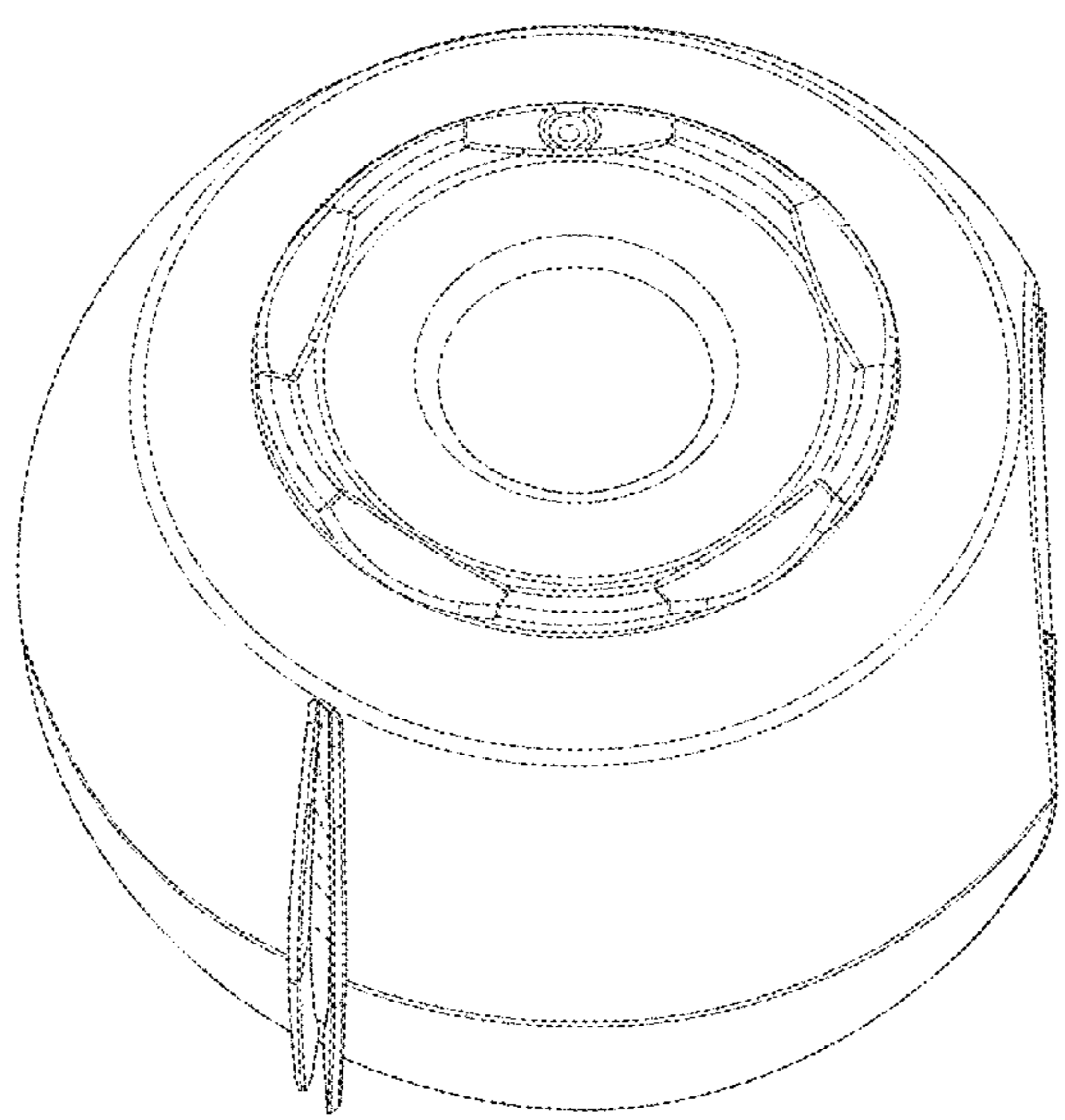
2004/0188442 A1* 9/2004 Ohyama A47J 36/027
220/367.1
2005/0161455 A1* 7/2005 Studee B65D 43/0281
220/266
2007/0172555 A1* 7/2007 Salice B65D 43/162
426/106
2012/0181269 A1* 7/2012 Rubenson A45C 5/02
220/4.24
2015/0037082 A1* 2/2015 Pires A45D 40/00
401/88
2015/0144657 A1* 5/2015 Fang A47J 47/01
222/136
2016/0021915 A1* 1/2016 Baxter A47J 47/02
426/295
2016/0128502 A1* 5/2016 Buck A47G 21/187
220/713
2017/0215553 A1* 8/2017 Keller A45D 40/02

* cited by examiner
Primary Examiner — Lauren R Calve
(74) *Attorney, Agent, or Firm* — Cohen & Grigsby, P.C.

(57) **CLAIM**
The ornamental design for a packaging box, as shown and described.

DESCRIPTION
FIG. 1 is a top perspective view of half of the packaging box, the bottom half removed for clarity of illustration.
FIG. 2 is a side perspective view of half of the packaging box, the top half removed for clarity of illustration.
FIG. 3 is a bottom perspective view of the top and bottom halves of the packaging box attached together.
FIG. 4 is a top view of the packaging box.
FIG. 5 is a second top view of the packaging box.
FIG. 6 is a second side perspective view of FIG. 2.
FIG. 7 is a second top perspective view of FIG. 1; and,
FIG. 8 is a second bottom perspective view of FIG. 3.

1 Claim, 8 Drawing Sheets



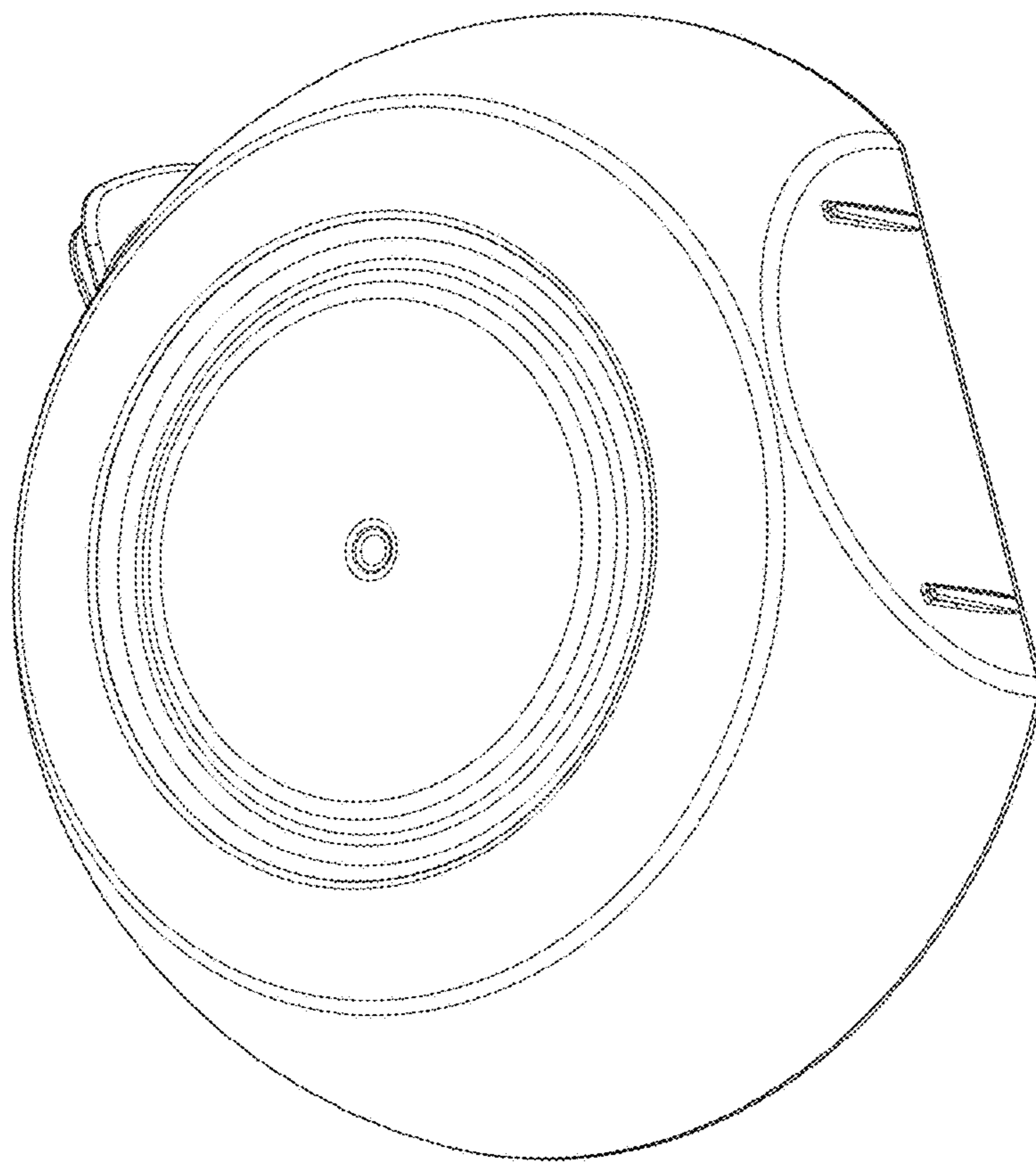


FIG. 1

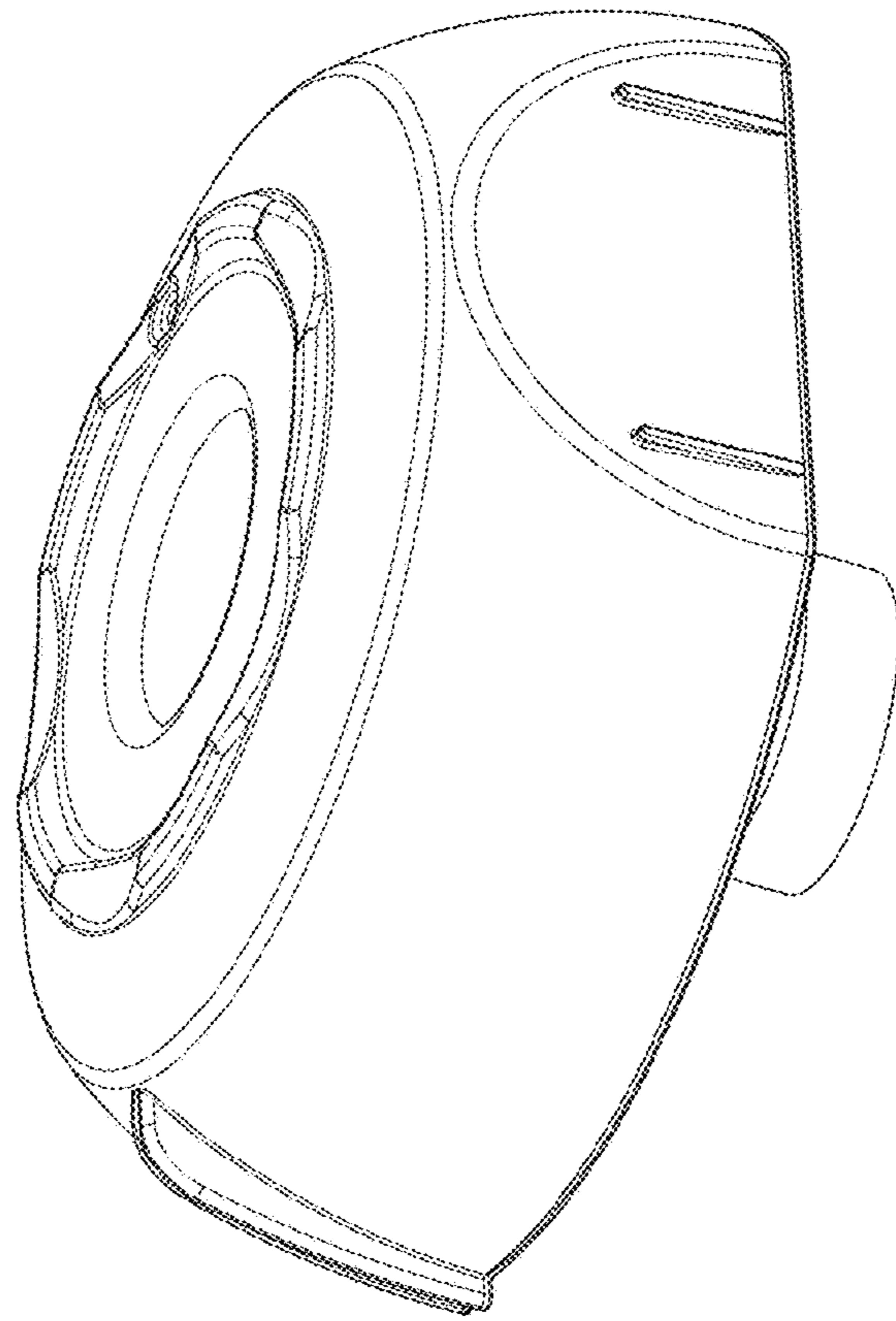


FIG. 2

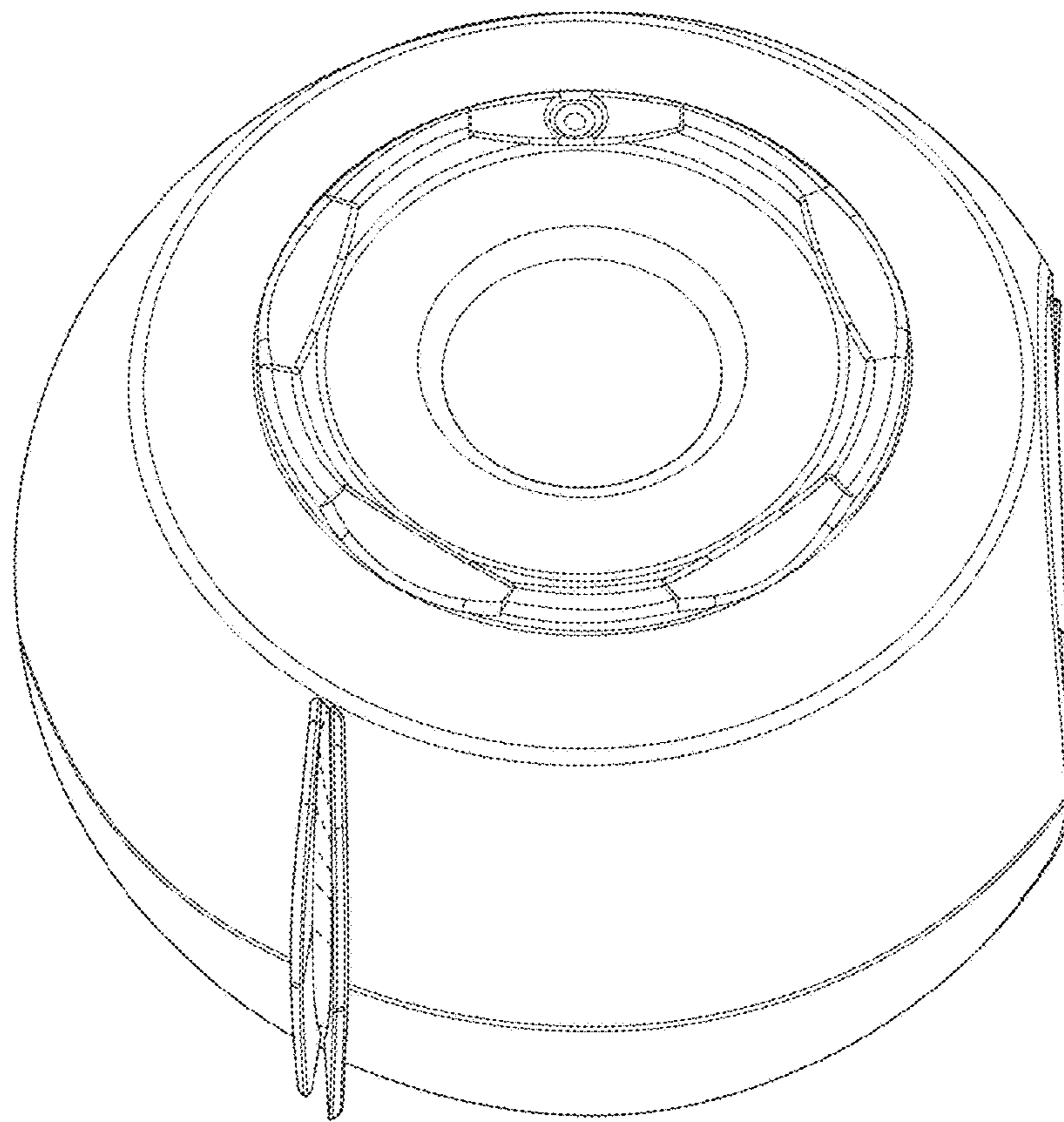


FIG. 3

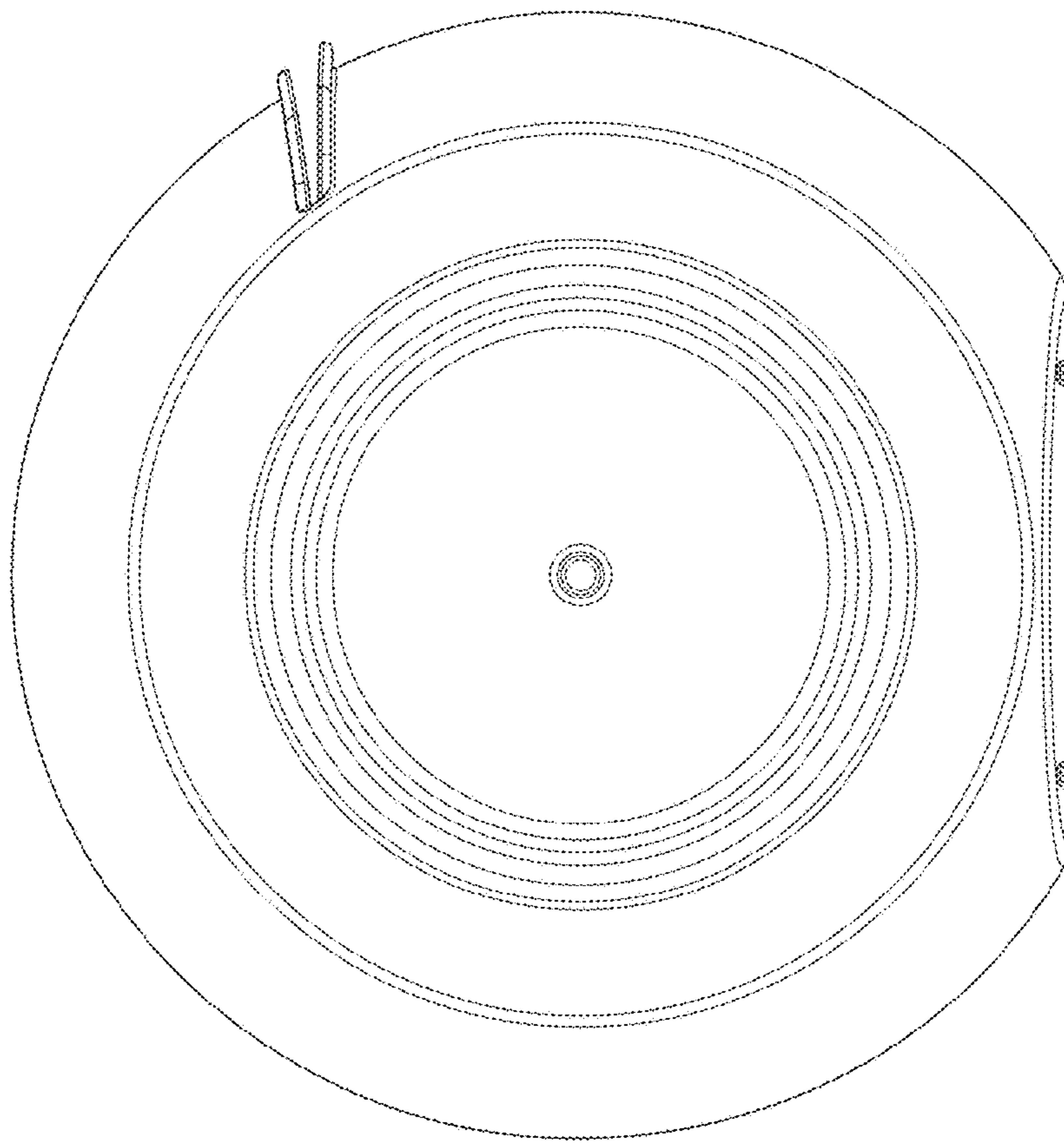


FIG. 4

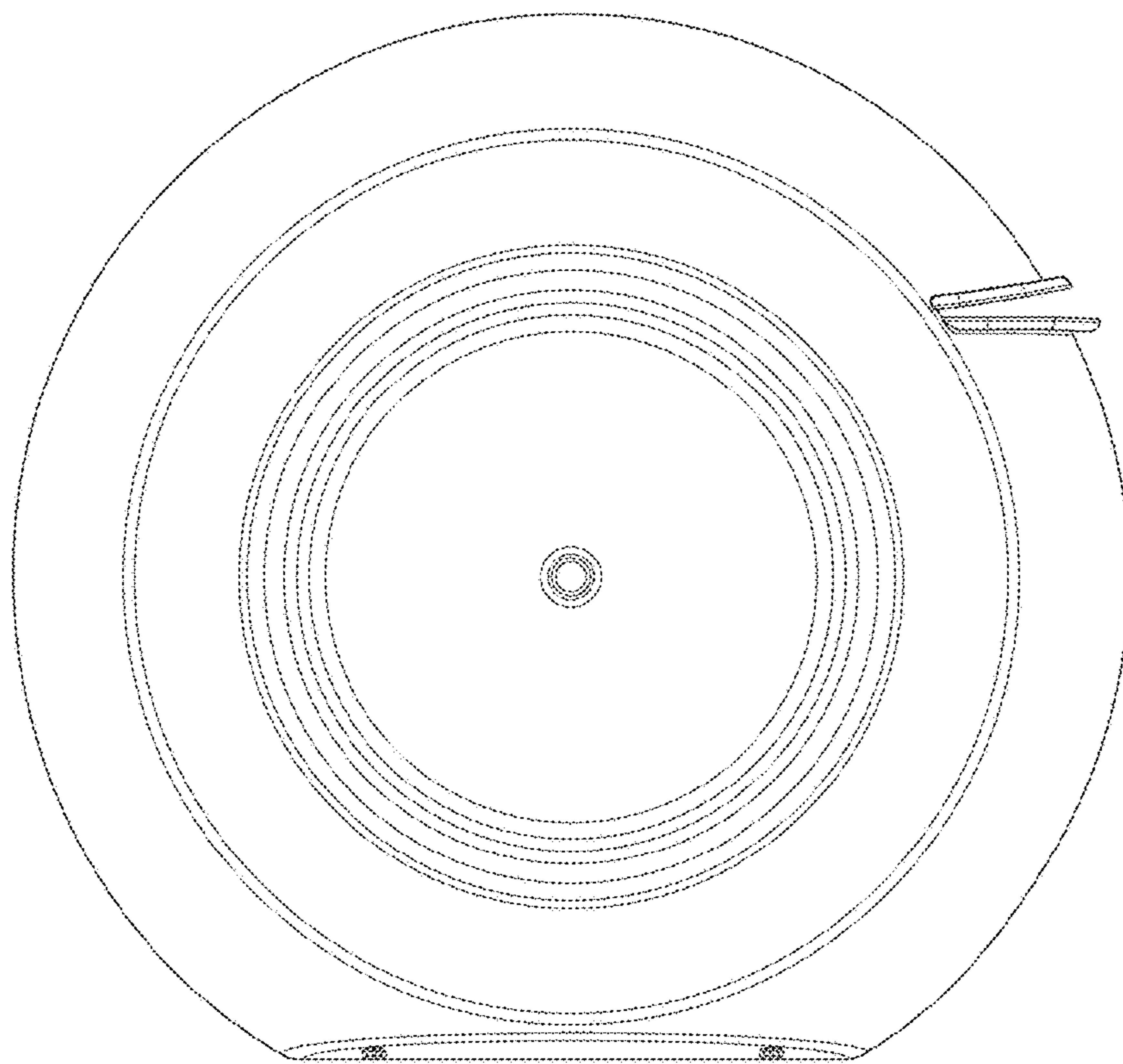


FIG. 5

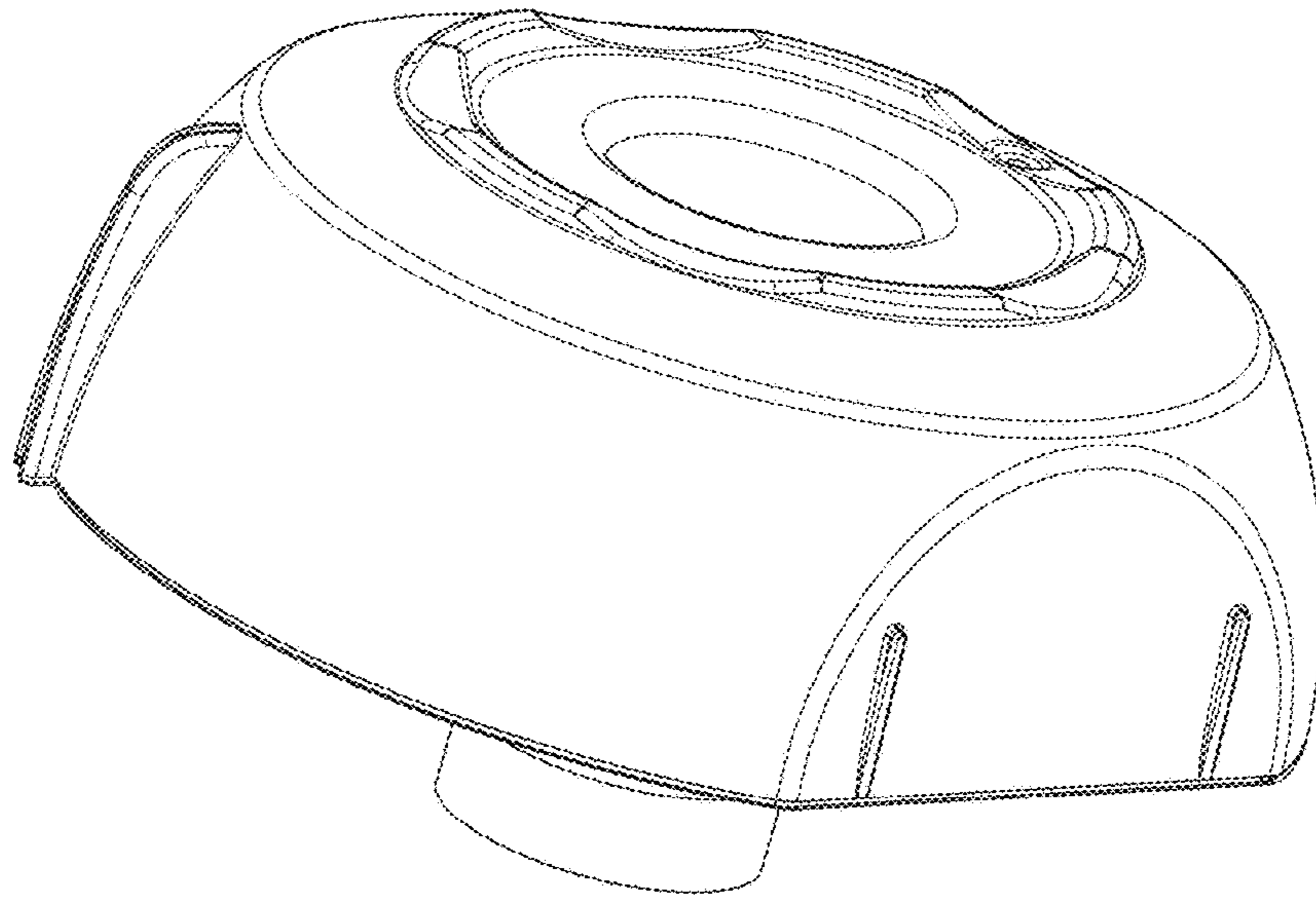


FIG. 6

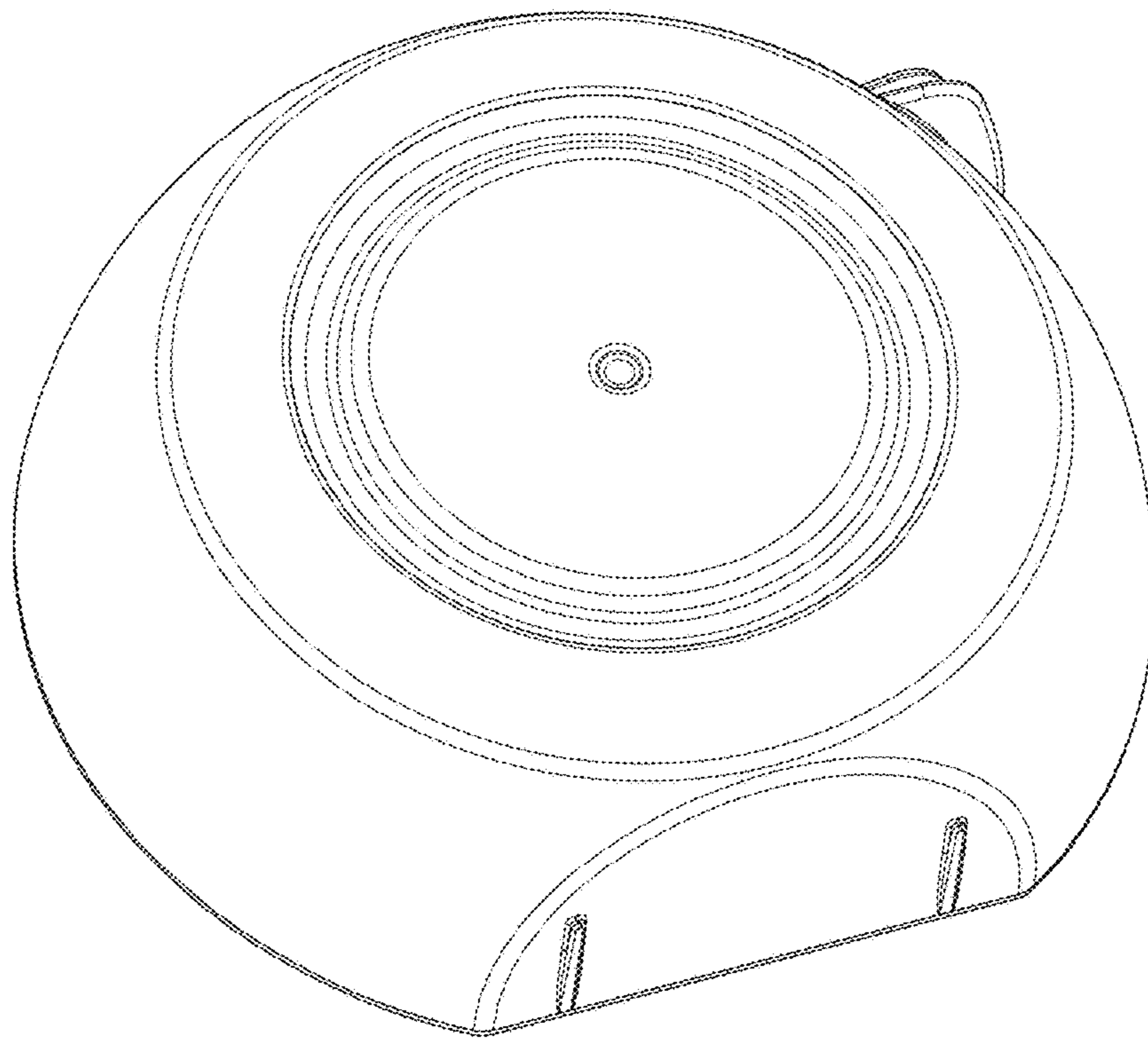


FIG. 7

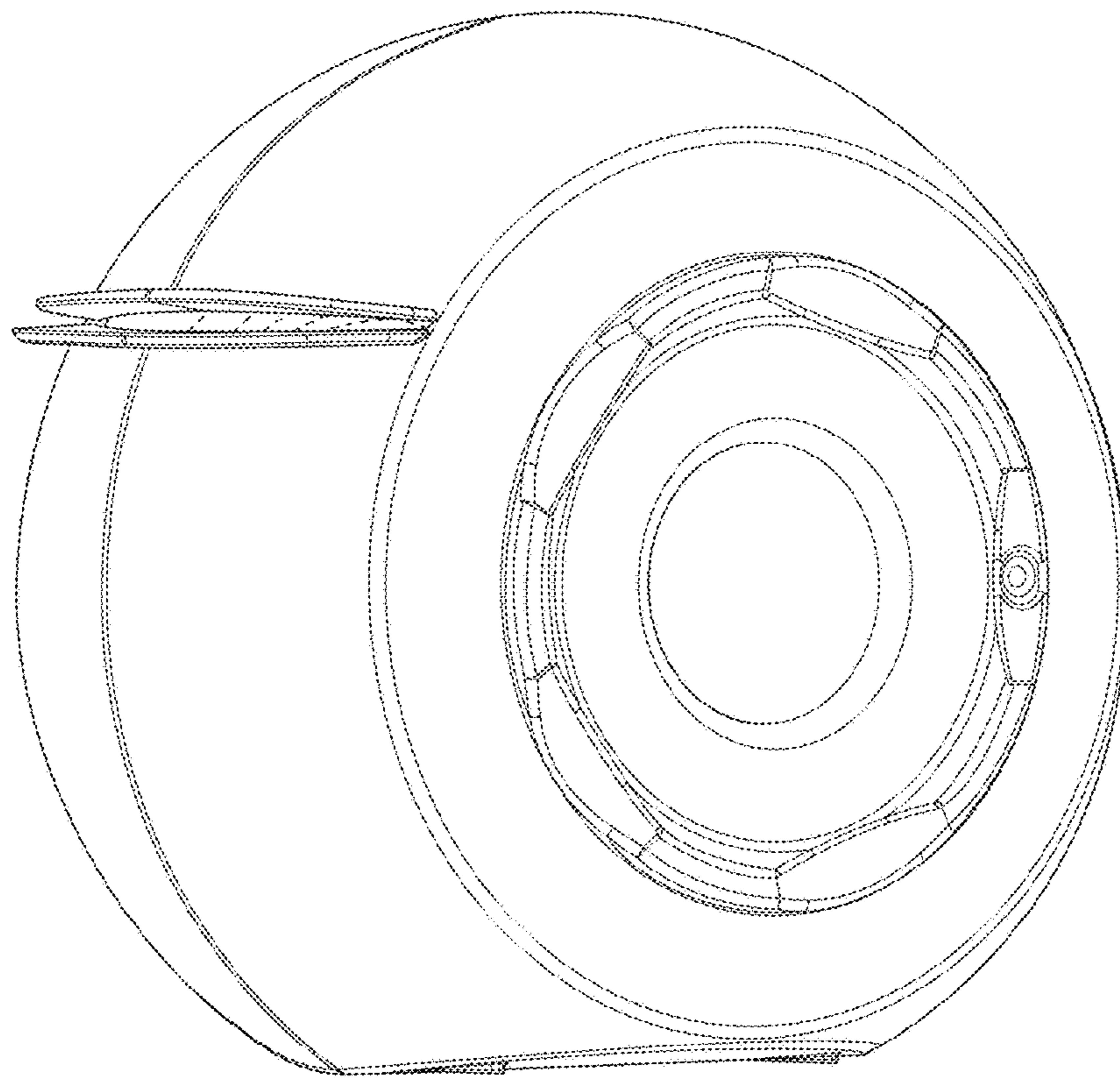


FIG. 8