

US00D856796S

(12) **United States Design Patent** (10) **Patent No.:** **US D856,796 S**
Sill et al. (45) **Date of Patent:** **** Aug. 20, 2019**

(54) **CLOSEABLE CONTAINER**
(71) Applicant: **Inno-Pak, LLC**, Delaware, OH (US)
(72) Inventors: **Jonathan D. Sill**, Delaware, OH (US);
Steven A. Mayer, Indianapolis, IN (US)
(73) Assignee: **Inno-Pak, LLC**, Delaware, OH (US)
(**) Term: **15 Years**
(21) Appl. No.: **29/676,861**
(22) Filed: **Jan. 15, 2019**

5,114,002 A 5/1992 Warner
D332,347 S 1/1993 Raadt
D332,744 S 1/1993 McCooey
D333,781 S 3/1993 Kobel
D365,755 S 1/1996 Kanfer et al.
5,505,372 A * 4/1996 Edson B65D 71/36
229/121
D372,401 S 8/1996 Lillelund et al.
D401,147 S 11/1998 Miller
D415,960 S 11/1999 Majdanski et al.
5,992,733 A * 11/1999 Gomes B65D 5/46016
229/117.23

(Continued)

OTHER PUBLICATIONS

Notice of Allowance dated Apr. 18, 2016 from U.S. Appl. No. 29/527,085.
Office Action dated Feb. 1, 2016 from U.S. Appl. No. 29/516,707.

Primary Examiner — Wan Laymon
Assistant Examiner — Clint A Samuel
(74) *Attorney, Agent, or Firm* — Ward and Smith, P.A.;
Ryan K. Simmons

Related U.S. Application Data

(62) Division of application No. 29/615,118, filed on Aug. 25, 2017, which is a division of application No. 29/566,228, filed on May 27, 2016, now Pat. No. Des. 800,547.
(51) **LOC (12) Cl.** **09-03**
(52) **U.S. Cl.**
USPC **D9/418**
(58) **Field of Classification Search**
USPC D9/414, 418-422, 431-433, 499;
D7/590, 601, 612; D19/91
CPC B65D 5/16; B65D 5/4204; B65D 5/5007;
B65D 5/5206; B65D 1/00; B65D 1/22;
B65D 1/225; B65D 2571/00543; B65D
2571/00549; B65D 2571/0066; B65D
25/54; A47F 7/03; A47F 7/145
See application file for complete search history.

(57) **CLAIM**

The ornamental design for a closeable container, as shown and described.

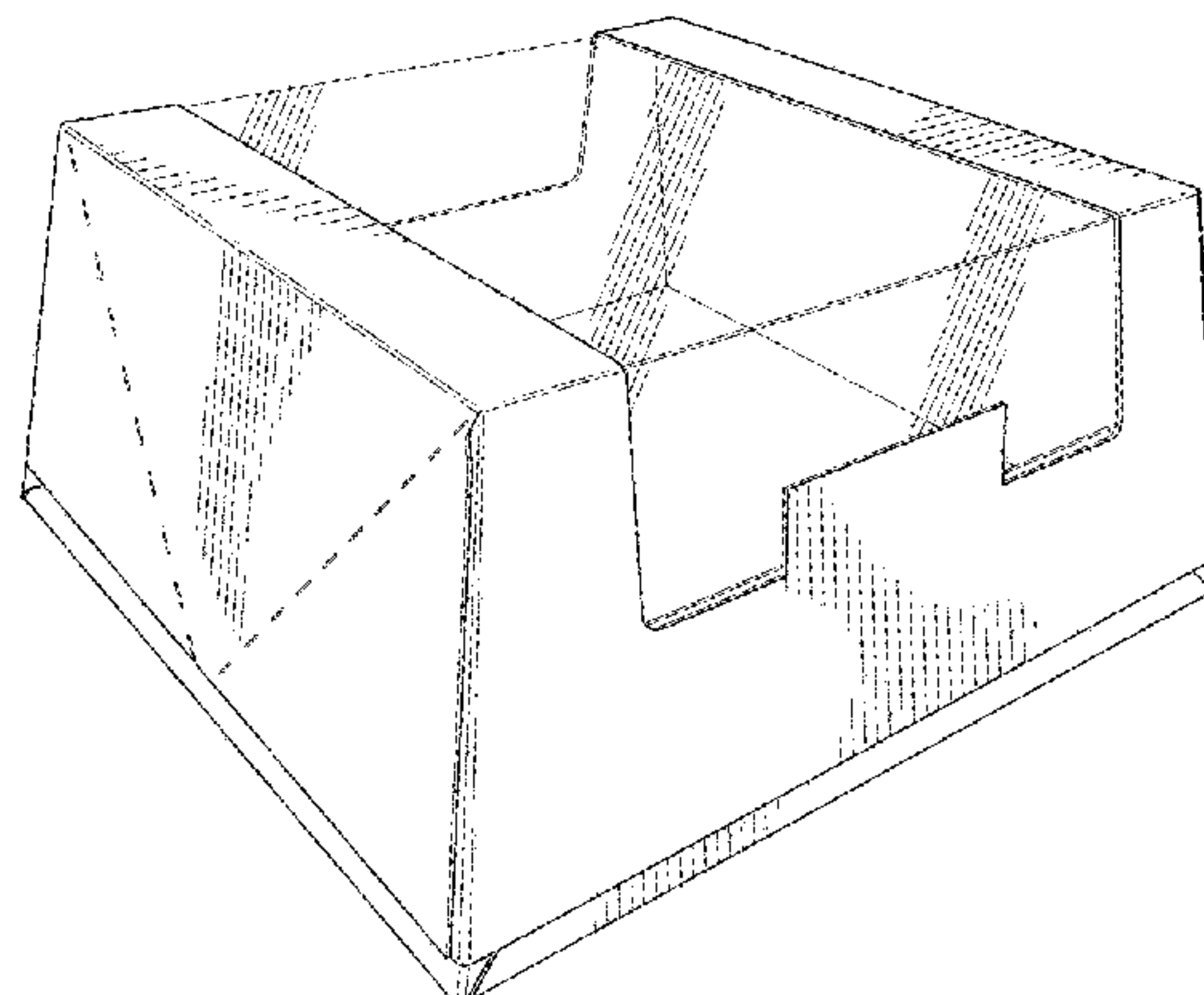
DESCRIPTION

FIG. 1 is a perspective view of a closeable container showing a new design;
FIG. 2 is a front elevation view thereof;
FIG. 3 is a rear elevation view thereof;
FIG. 4 is a left side elevation view thereof, the right side being a mirror image;
FIG. 5 is a top plan view thereof; and,
FIG. 6 is a plan view of the closeable container showing the closeable container in a blank configuration.
In the Figures, the dash-dash broken lines are for the purpose of illustrating perforations.

1 Claim, 4 Drawing Sheets

(56) **References Cited**
U.S. PATENT DOCUMENTS

D259,253 S 5/1981 Nelson
D291,065 S 7/1987 Pugh
D295,958 S 5/1988 Pugh
4,911,298 A 3/1990 Miyagawa
D309,262 S 7/1990 Coiner



(56)

References Cited

U.S. PATENT DOCUMENTS

6,227,367 B1 * 5/2001 Harrelson B65D 71/36
206/141

D464,878 S 10/2002 Thompson
D469,349 S 1/2003 Meeker et al.
D469,692 S 2/2003 Meeker et al.
D485,172 S 1/2004 Defino
D519,366 S 4/2006 Epstein
D536,245 S 2/2007 Bruun
D536,612 S 2/2007 Geurts et al.
D578,883 S 10/2008 Kisch
D580,751 S 11/2008 Blick
D587,998 S 3/2009 Kaisanlahti
D593,211 S 5/2009 Dewitt
D595,104 S 6/2009 Goodrich
D602,353 S 10/2009 Anderson et al.
D607,987 S 1/2010 Paxton
D617,636 S 6/2010 Vanhoutte
D618,543 S 6/2010 Polaski
7,780,004 B2 8/2010 Carlozzi
D623,939 S 9/2010 Tearle
D626,831 S 11/2010 Nicholas
D636,662 S 4/2011 Ignacio et al.
D637,078 S 5/2011 Peng
D638,702 S 5/2011 Lowery
D644,099 S 8/2011 Martinez Rodriguez
D644,508 S 9/2011 Martinez Rodriguez
D646,964 S 10/2011 Ampadu
D647,398 S 10/2011 Winkler
D649,067 S 11/2011 Birdwell et al.
D649,886 S 12/2011 Ocampo
D651,074 S 12/2011 Lacey
D655,153 S 3/2012 Mitten
D668,540 S 10/2012 Lutzig
D675,092 S 1/2013 Sill
8,356,743 B2 * 1/2013 Spivey, Sr. B65D 71/36
206/427

D675,920 S 2/2013 Sill
8,376,214 B2 * 2/2013 Spivey, Sr. B65D 71/36
229/200

D678,779 S 3/2013 Lee
D679,950 S 4/2013 Cooper
D681,444 S 5/2013 Oja et al.
D685,633 S 7/2013 Thomas
D688,568 S 8/2013 Noel
D693,215 S 11/2013 Sill
D693,216 S 11/2013 Sill
D693,217 S 11/2013 Sill
D693,218 S 11/2013 Sill
D695,104 S 12/2013 Sill
D696,725 S 12/2013 Sasken-Duff et al.
8,607,987 B2 12/2013 Oja et al.
D706,132 S 6/2014 Sill
D708,511 S 7/2014 Green
D712,275 S 9/2014 Irek
D713,716 S 9/2014 Oja et al.
D716,649 S 11/2014 McAdam
D717,162 S 11/2014 Baker

D717,163 S 11/2014 Paulsen
D717,645 S 11/2014 Wilmers
D719,440 S 12/2014 Matloff
D727,732 S 4/2015 Petty
D728,357 S 5/2015 Pierce
D729,055 S 5/2015 Lemnios et al.
D729,058 S 5/2015 Ishikawa
D739,228 S 9/2015 Jondal et al.
D746,673 S 1/2016 Sanfilippo
D746,700 S 1/2016 Boehnen et al.
D753,919 S 4/2016 Parker
D760,598 S 7/2016 White
D762,113 S 7/2016 Mayer
D766,108 S 9/2016 Brown
D774,891 S 12/2016 Mayer
D774,893 S 12/2016 Mayer
D774,895 S 12/2016 Mayer
D774,896 S 12/2016 Mayer
D774,897 S 12/2016 Mayer
D774,898 S 12/2016 Mayer
D776,522 S 1/2017 Mayer
D786,663 S 5/2017 Mayer
D787,313 S 5/2017 Mayer
D787,314 S 5/2017 Sill
D787,315 S 5/2017 Sill
D787,316 S 5/2017 Sill
D787,929 S 5/2017 Sill
D787,933 S 5/2017 Sill
D789,783 S 6/2017 DeBusk
D799,317 S 10/2017 Sill
D799,955 S 10/2017 Sill
D800,546 S 10/2017 Sill
D800,547 S 10/2017 Sill
D800,548 S 10/2017 Sill
D816,479 S 5/2018 Sill
D816,480 S 5/2018 Sill
D816,481 S 5/2018 Sill
D822,480 S 7/2018 Rivera
D829,095 S 9/2018 McKenna
D840,219 S * 2/2019 McKenna D9/418
D840,807 S * 2/2019 Ross D9/433
D842,098 S * 3/2019 Ross D9/433

2009/0236351 A1 9/2009 Chu et al.
2010/0059579 A1 3/2010 House
2013/0220873 A1 8/2013 Holley
2014/0103100 A1 4/2014 Falcon
2015/0344216 A1 12/2015 Petty et al.
2016/0009442 A1 * 1/2016 Block B65D 5/0227
206/141

2016/0362220 A1 12/2016 Keams
2017/0066586 A1 3/2017 Petty
2018/0009585 A1 * 1/2018 Ramsuer B65D 71/36
2018/0022500 A1 1/2018 Zhu
2018/0118403 A1 5/2018 Petty
2018/0127141 A1 5/2018 Brundage
2018/0141734 A1 * 5/2018 Kooc B65D 71/36
2018/0297761 A1 * 10/2018 Alexander B65B 5/024
2018/0319560 A1 * 11/2018 Blin B65D 71/36
2019/0009946 A1 * 1/2019 Nixon B65D 5/16
2019/0016501 A1 * 1/2019 Djokovic B65D 5/52

* cited by examiner

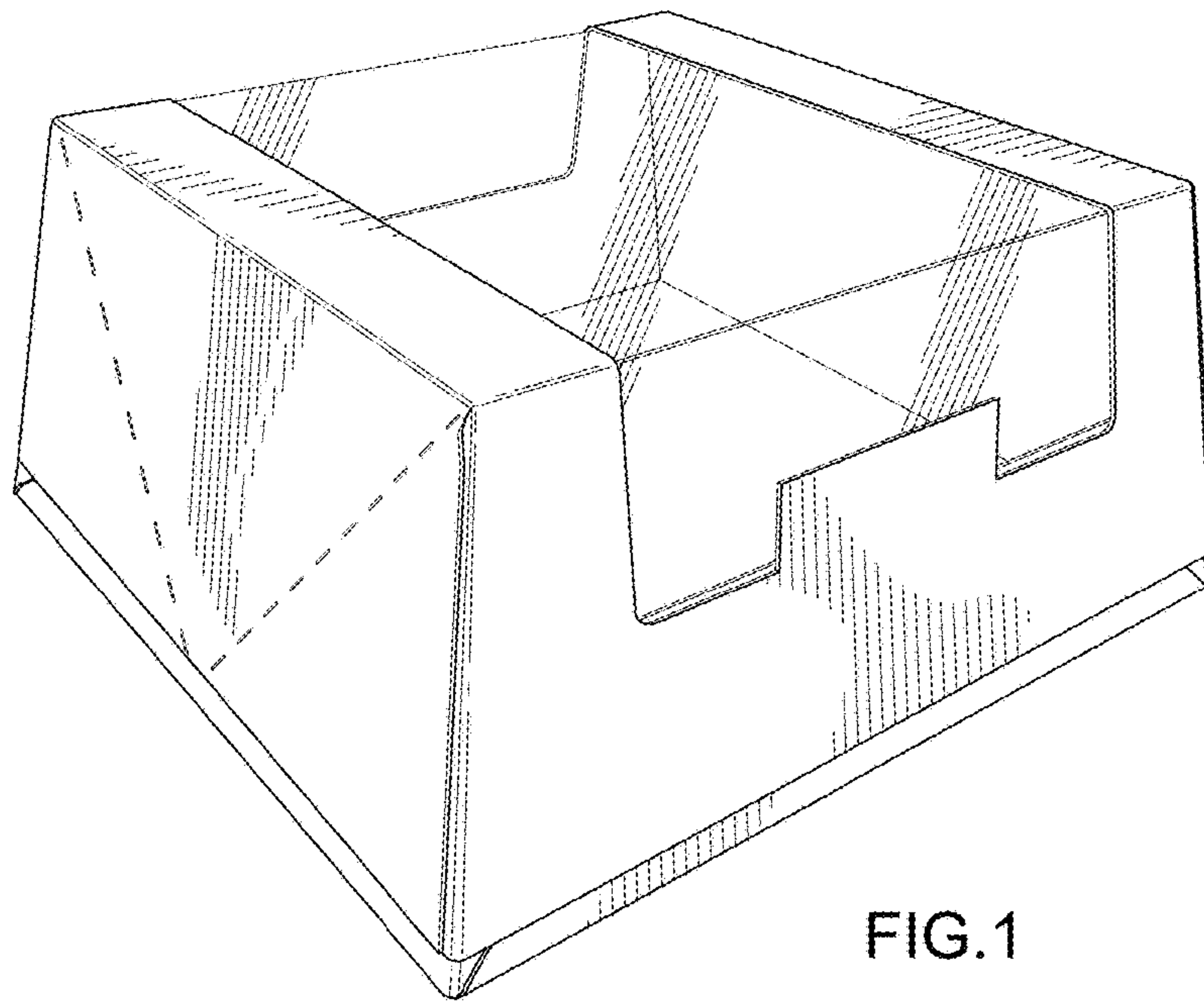


FIG.1

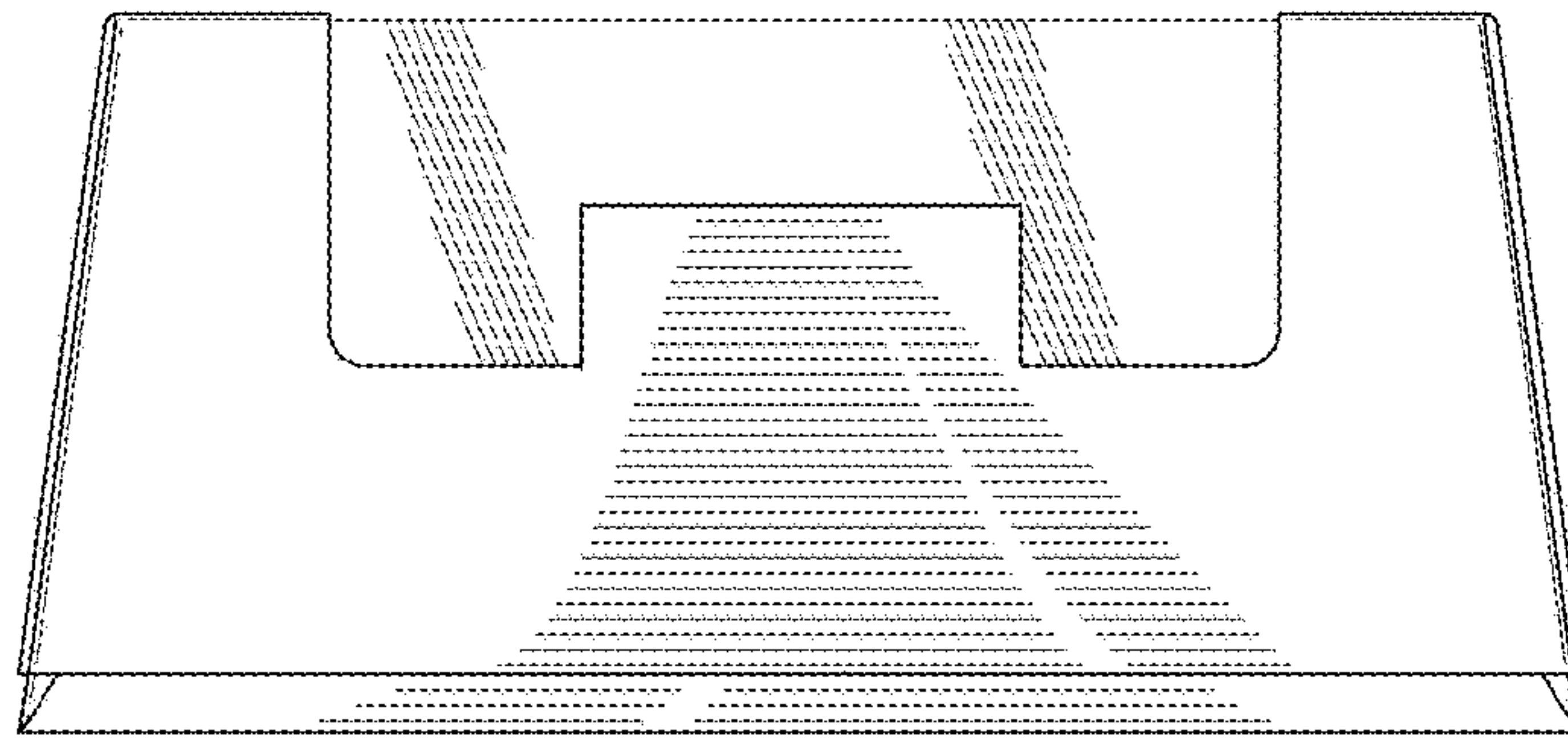


FIG. 2

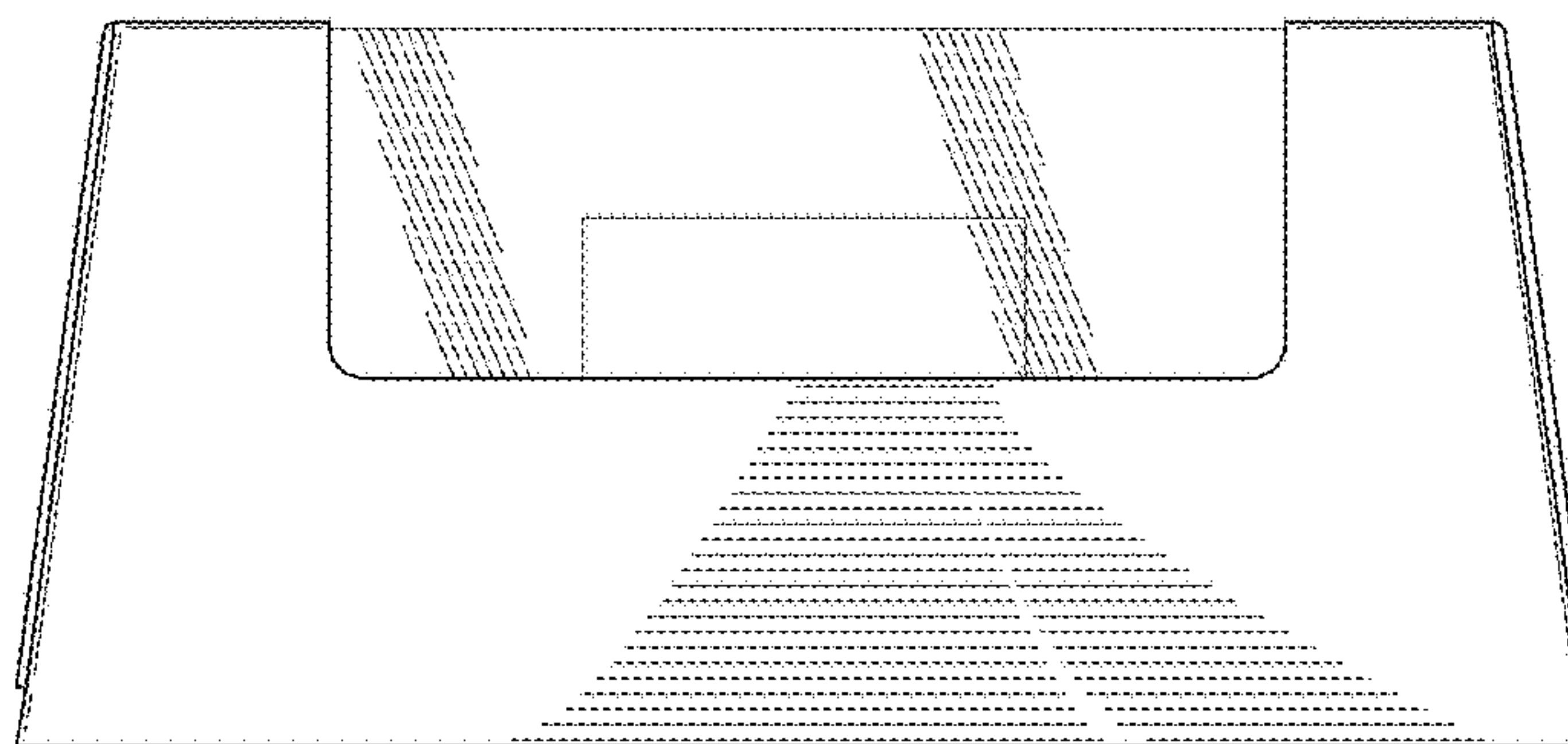
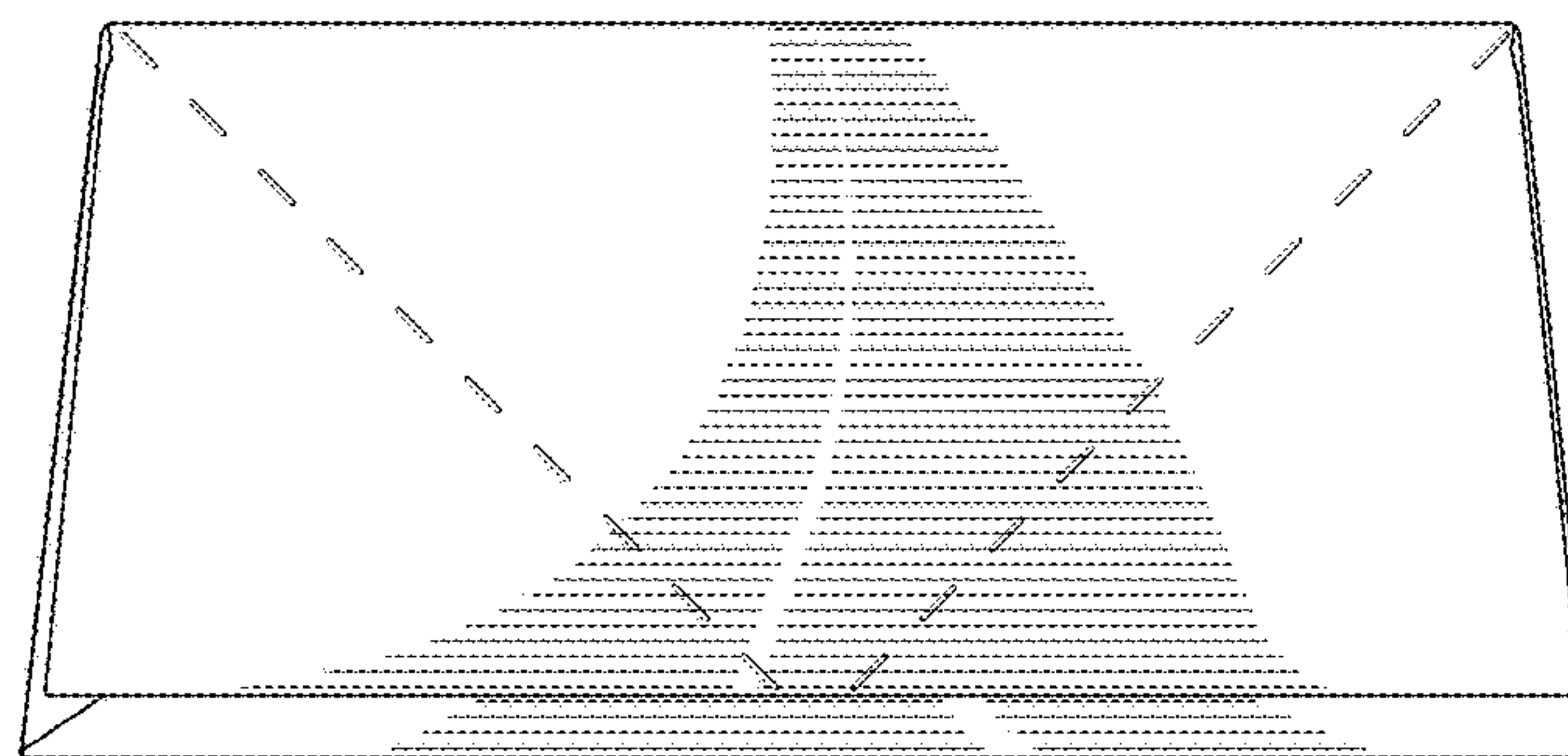


FIG. 3

FIG. 4



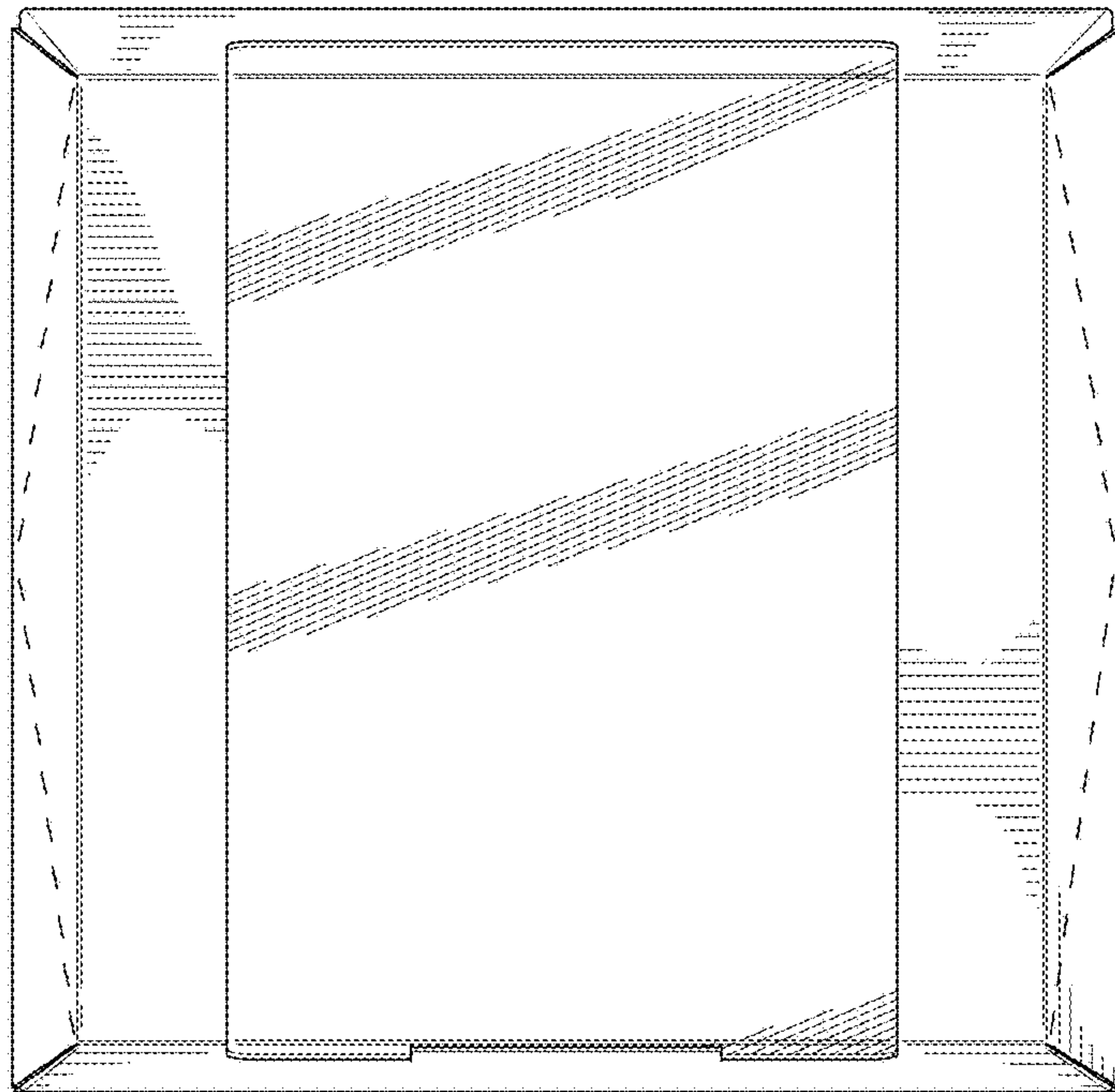


FIG.5

