

US00D856793S

(12) **United States Design Patent** (10) **Patent No.:** **US D856,793 S**
Debnath et al. (45) **Date of Patent:** **** Aug. 20, 2019**

(54) **PACKAGE** 2519/00034; B65D 2519/00069; B65D 25/08; B65D 1/24; B65D 2519/00174; B65D 2519/00268; B65D 2519/00318; B65D 77/003; B65D 2519/00208
(71) Applicant: **GlaxoSmithKline Consumer Healthcare Holdings, US, LLC**, Wilmington, DE (US) See application file for complete search history.

(72) Inventors: **Gautam Debnath**, Warren, NJ (US); **Jeffrey Scott Brunner**, Warren, NJ (US)

(56) **References Cited**

U.S. PATENT DOCUMENTS

(73) Assignee: **GlaxoSmithKline Consumer Healthcare Holdings (US) LLC**, Wilmington, DE (US)

D278,979 S *	5/1985	Anderson	D9/415
D283,051 S	3/1986	Fichera		
D386,200 S *	11/1997	Winston	D18/17
6,152,302 A	11/2000	Miller		
D441,645 S *	5/2001	Longhurst	D9/415
D451,382 S	12/2001	Adkins		
D463,274 S	9/2002	Green		
6,454,115 B1	9/2002	Allasia		
D471,099 S *	3/2003	Yang	D9/415
D519,364 S	4/2006	Kopp		
D584,606 S *	1/2009	Wintmolders	D9/415

(**) Term: **15 Years**

(21) Appl. No.: **29/645,588**

(22) Filed: **Apr. 27, 2018**

(Continued)

Related U.S. Application Data

(62) Division of application No. 29/591,017, filed on Jan. 16, 2017, now Pat. No. Des. 818,818.

Primary Examiner — Lauren R Calve

(74) *Attorney, Agent, or Firm* — Joshua C. Sanders

(51) **LOC (12) Cl.** **09-03**

(52) **U.S. Cl.**
USPC **D9/415**; D9/721

(57) **CLAIM**

We claim the ornamental design for a package, as shown and described.

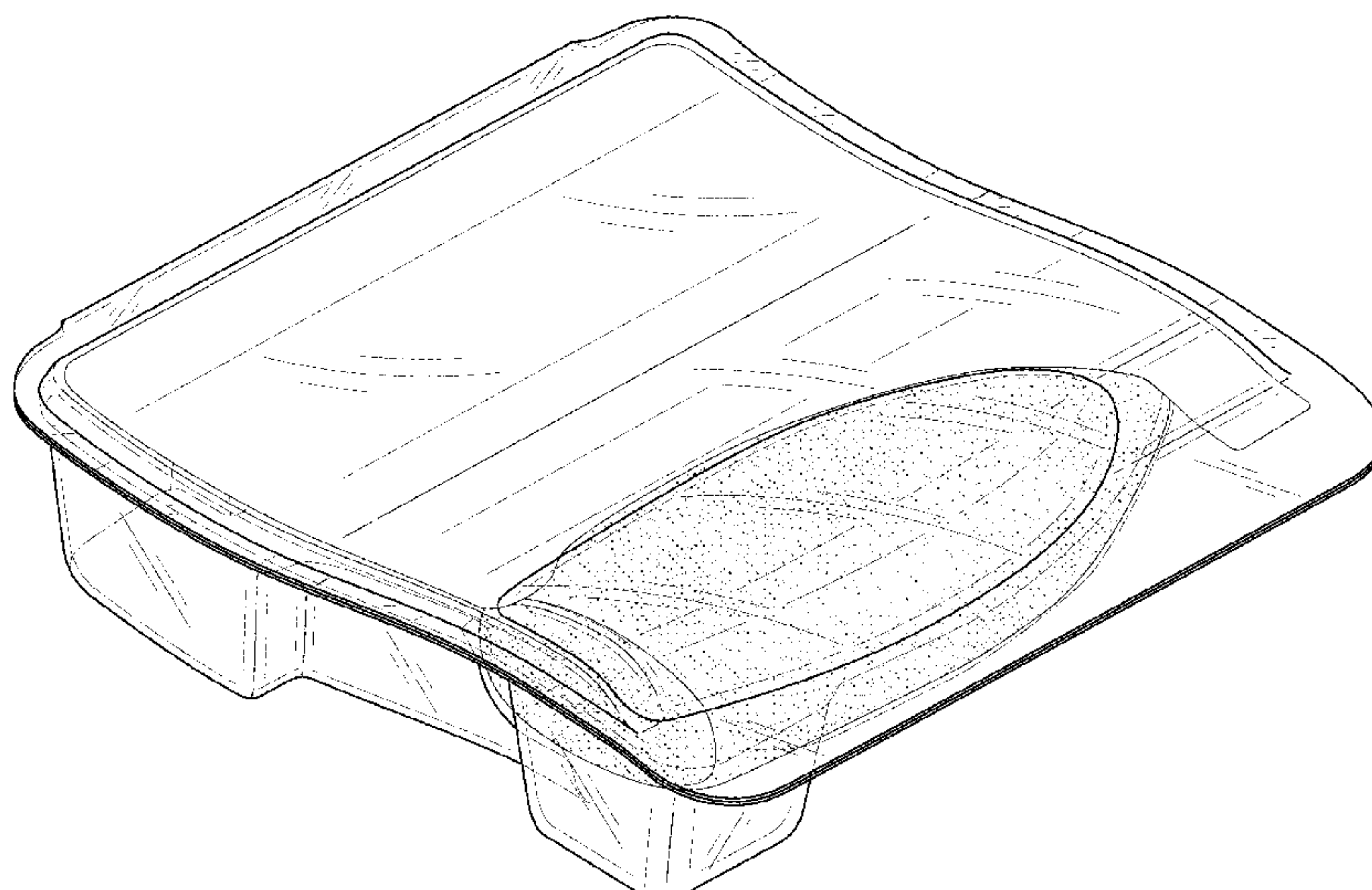
(58) **Field of Classification Search**
USPC D9/414, 415, 423, 424, 425, 430, 737; D7/400, 553.1, 553.2, 554.3, 545, 555, D7/601, 602, 629, 630

DESCRIPTION

CPC B65D 2543/00296; B65D 2543/00092; B65D 85/8043; B65D 43/0212; B65D 1/0223; B65D 2543/00509; B65D 2543/00731; B65D 79/005; B65D 25/04; B65D 2543/00805; B65D 1/36; B65D 85/72; B65D 1/34; B65D 81/3453; B65D 51/20; B65D 2543/00027; B65D 2543/00648; B65D 2543/00972; B65D 85/73; B65D 2543/00416; B65D 2543/00694; B65D 25/00; B65D 81/3216; B65D 2543/00759; B65D 1/0207; B65D 81/3205; B65D 2519/00288; B65D

FIG. 1 is a bottom front perspective view of a package; FIG. 2 is a top front perspective view thereof; FIG. 3 is a top rear perspective view thereof; FIG. 4 is a bottom rear perspective view thereof; FIG. 5 is a right side view thereof; FIG. 6 is a left side view thereof; FIG. 7 is a top view of thereof; FIG. 8 is a bottom view thereof; FIG. 9 is a front view thereof; and, FIG. 10 is a rear view thereof.

1 Claim, 10 Drawing Sheets



(56)

References Cited

U.S. PATENT DOCUMENTS

8,006,834	B2	8/2011	Marcinkowski	
D646,156	S	10/2011	Maxwell-Wood	
D669,774	S	10/2012	Yamaguchi	
D683,210	S *	5/2013	Cox	D9/420
D697,398	S	1/2014	Guevara-Ludt	
D698,643	S	2/2014	Malley	
D708,056	S	7/2014	Larson	
D747,964	S *	1/2016	Limback	D9/426
D775,945	S *	1/2017	DiChiara	D9/425
D785,451	S	5/2017	Biery	
9,943,641	B2 *	4/2018	Morrison	A61M 5/002
D818,818	S *	5/2018	Debnath	D9/415
2005/0092644	A1 *	5/2005	Cafferata	A47F 1/126 206/471
2006/0011505	A1 *	1/2006	Chen	B65D 75/36 206/461
2009/0159483	A1 *	6/2009	Hinze	B65D 75/327 206/548
2009/0186132	A1	7/2009	Mangino	
2012/0305426	A1 *	12/2012	Valaie	A61L 2/26 206/363
2017/0057720	A1	3/2017	Biery	
2017/0266873	A1	9/2017	Crosby	

* cited by examiner

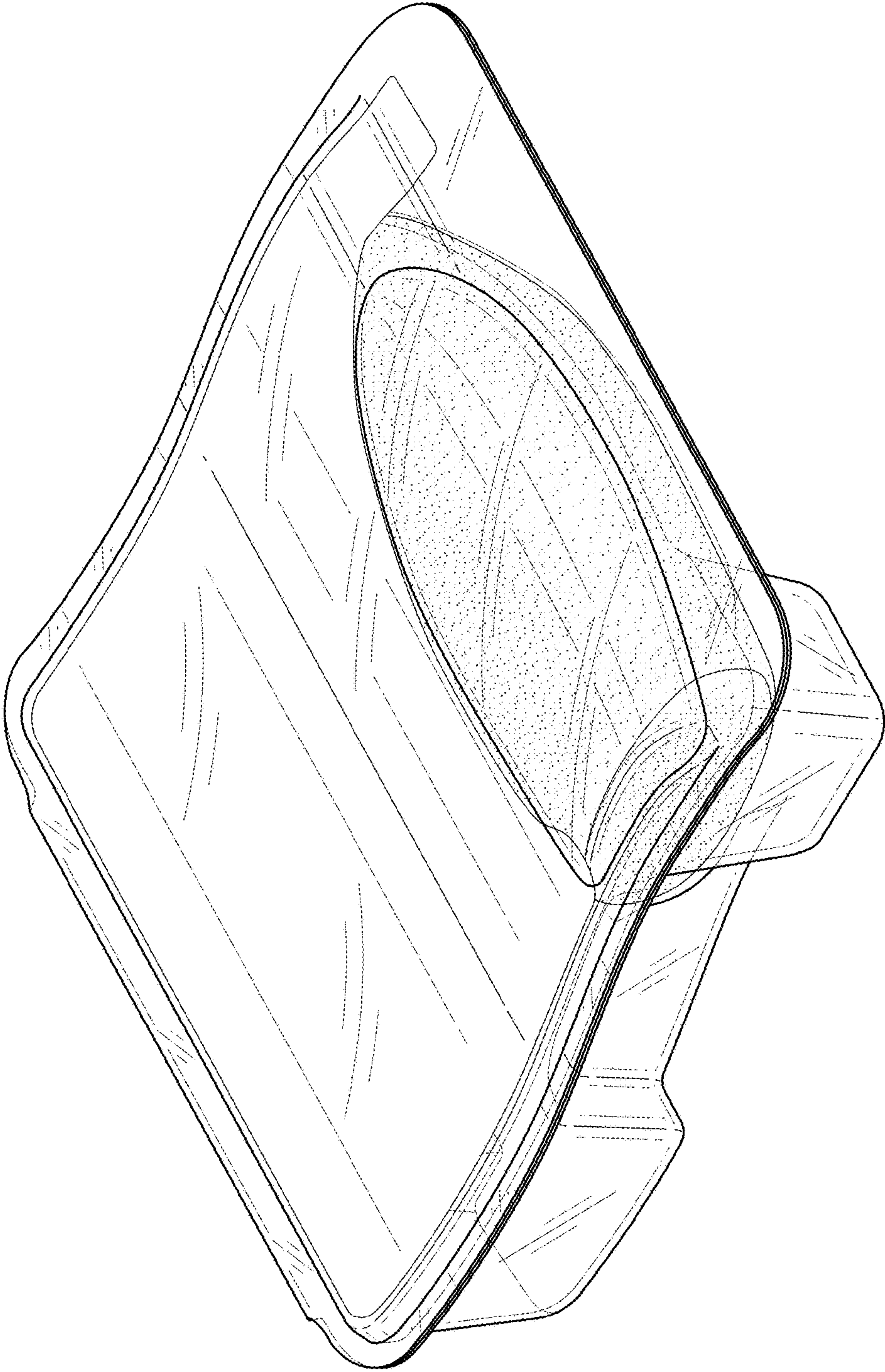


FIG. 1

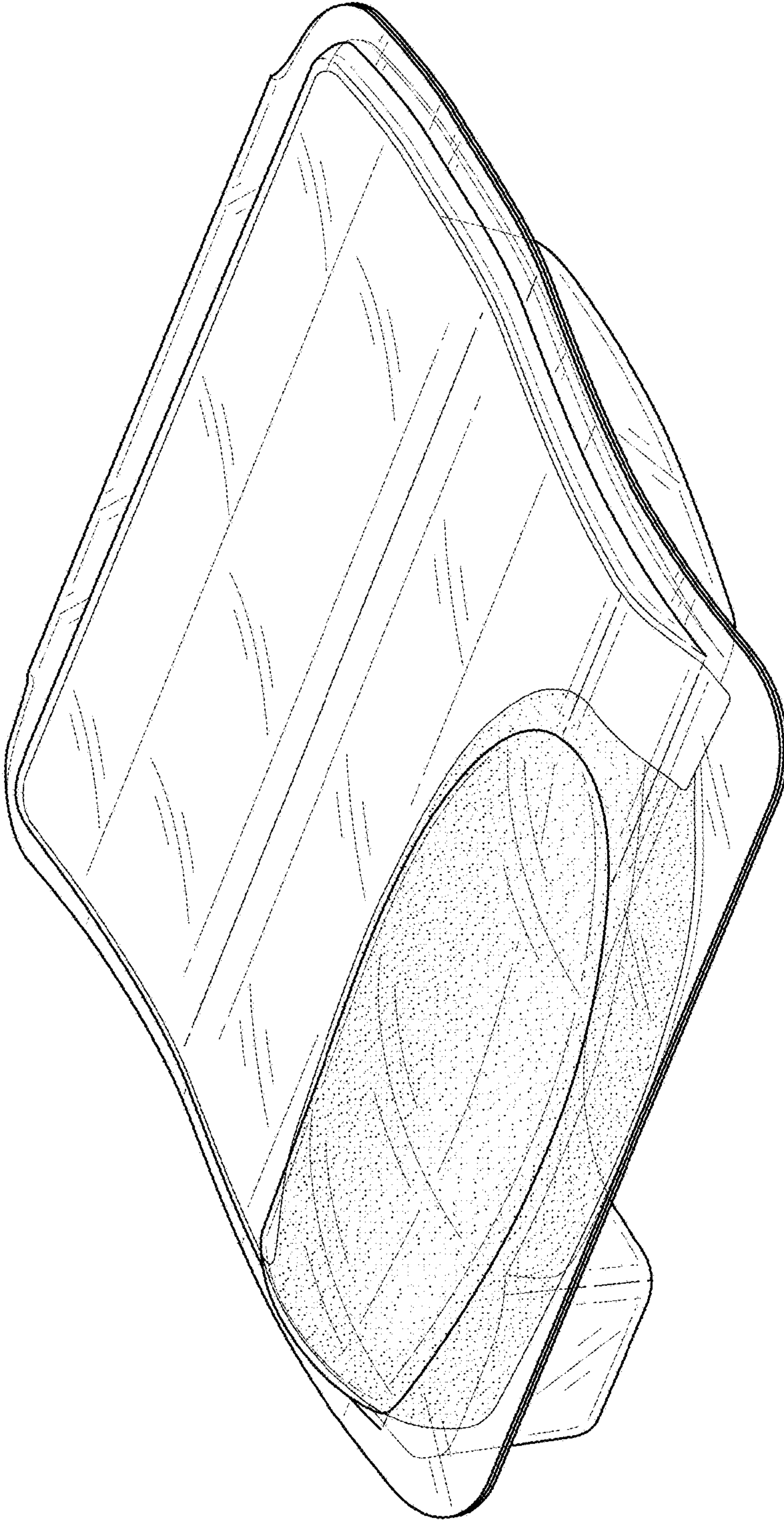


FIG. 2

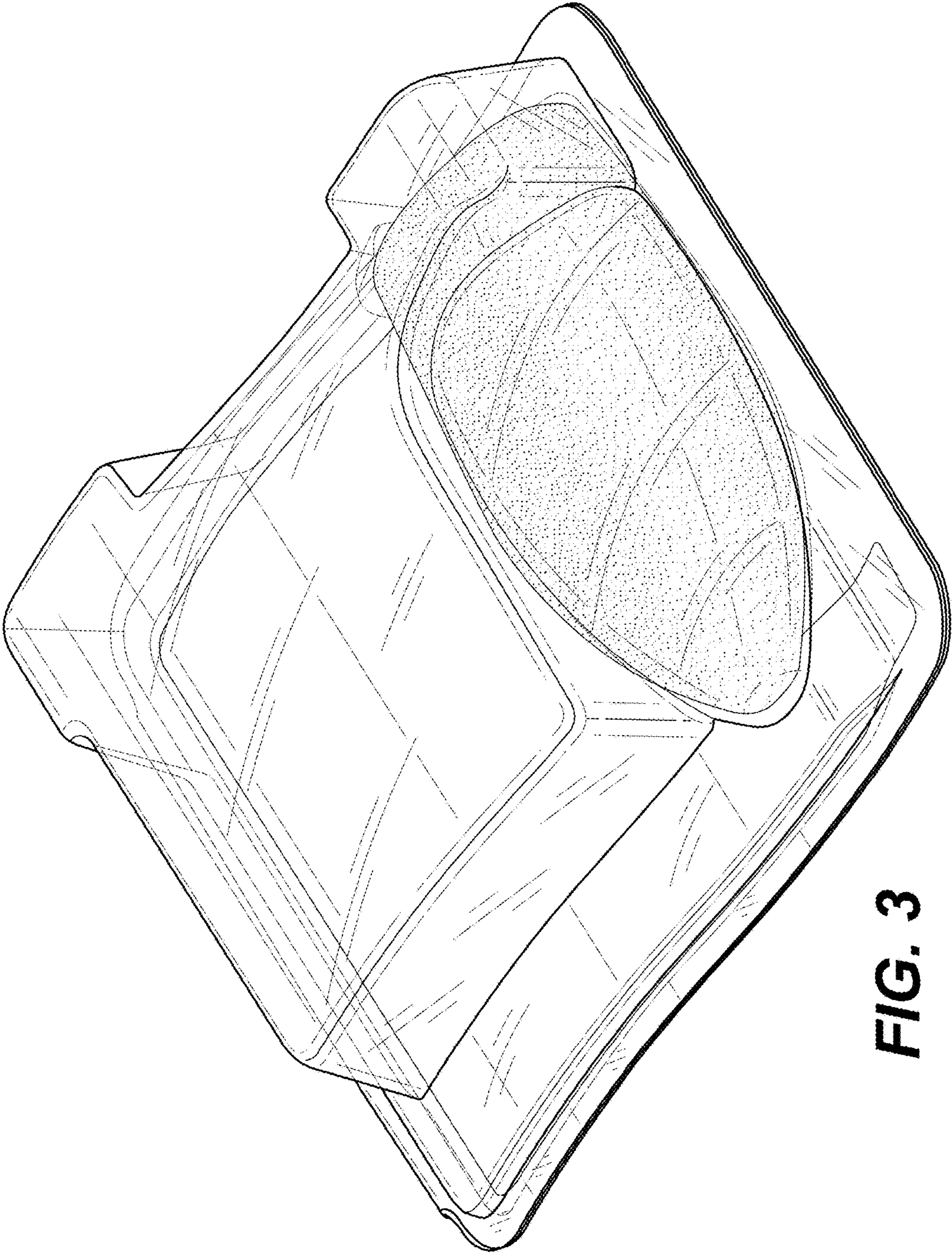


FIG. 3

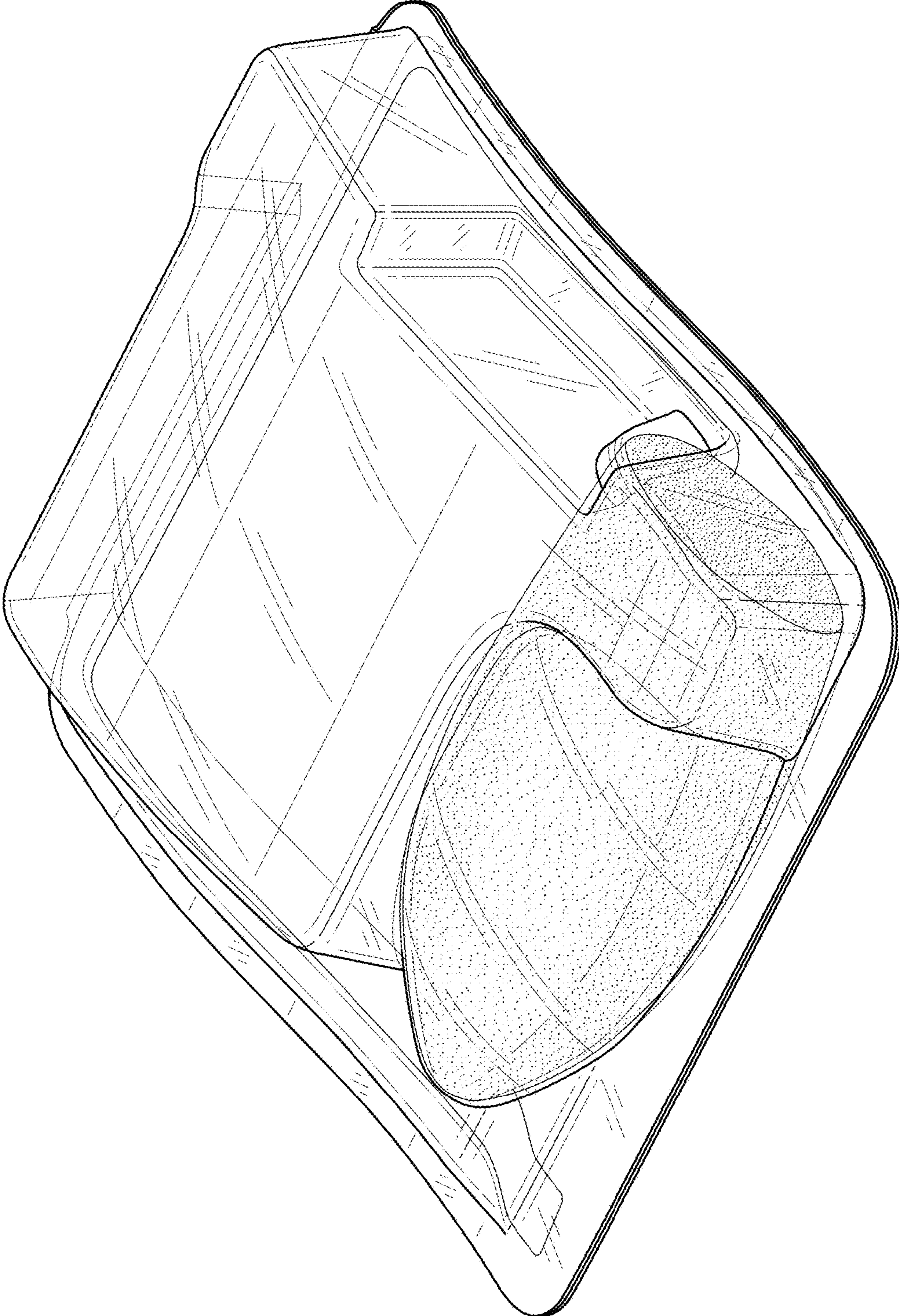


FIG. 4

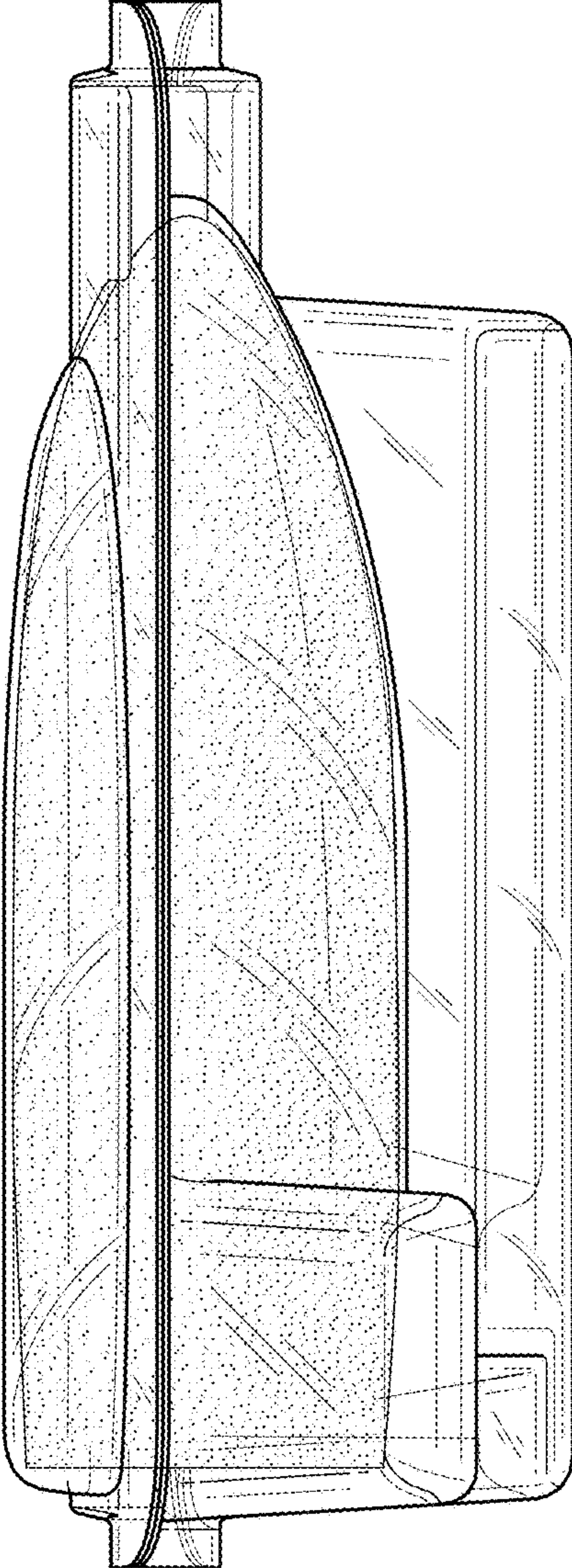


FIG. 5

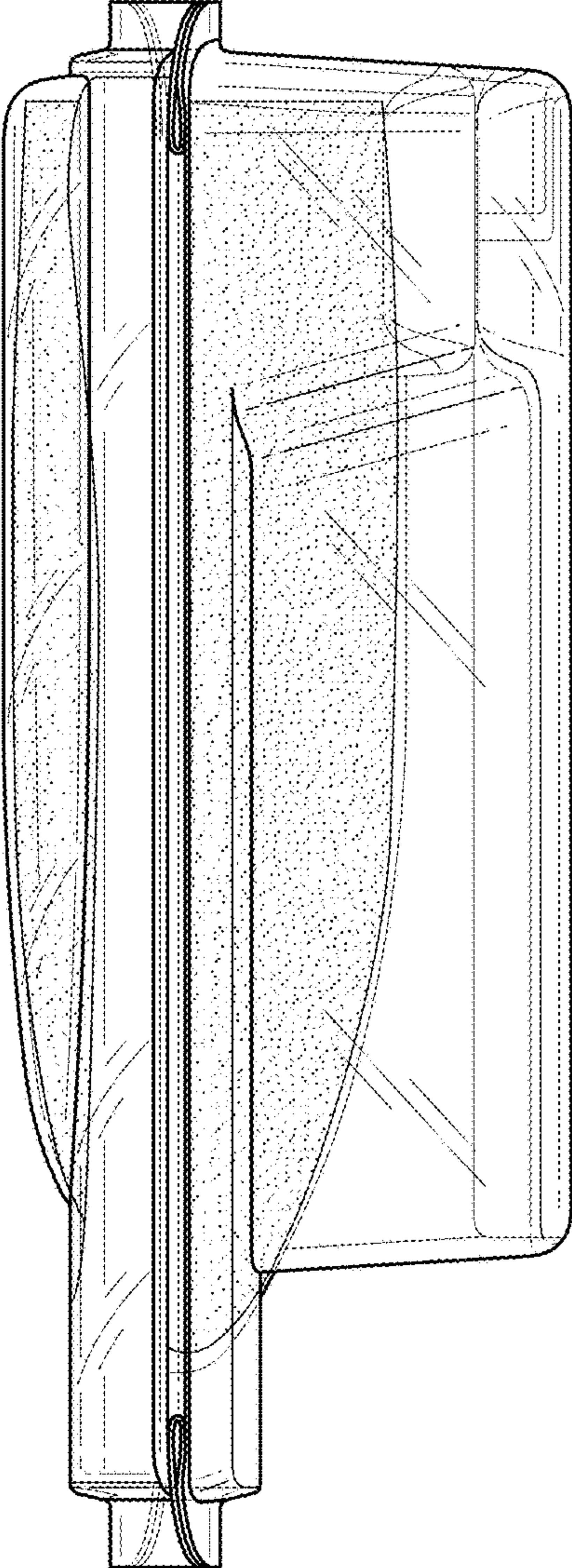


FIG. 6

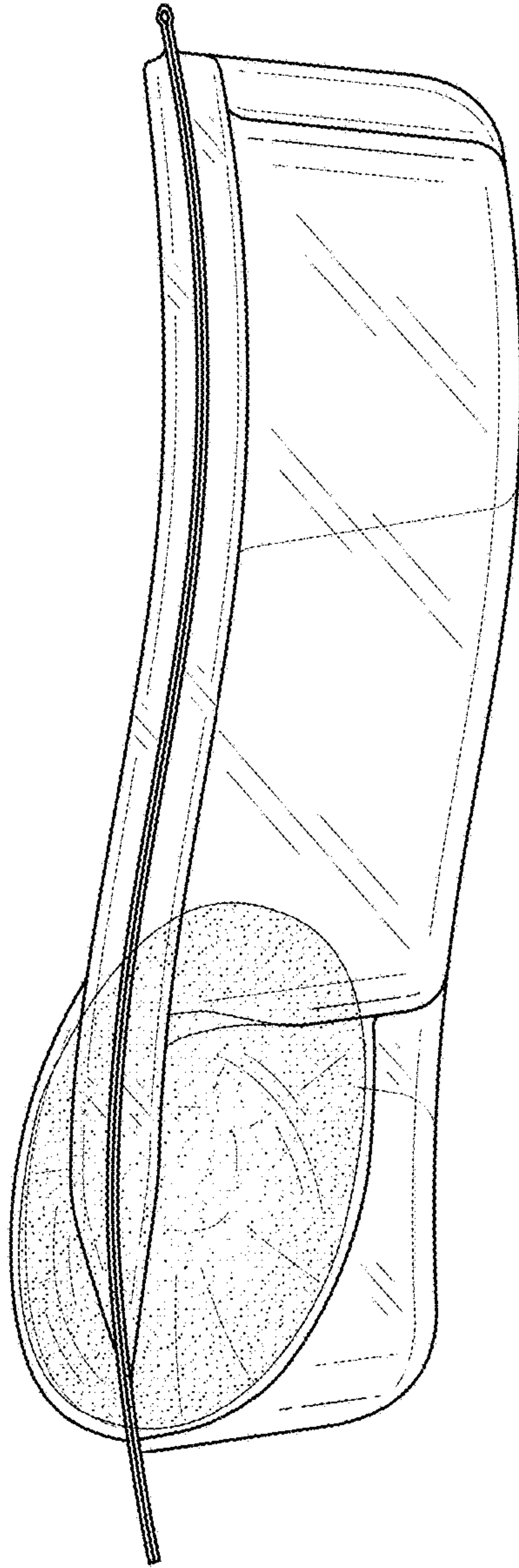


FIG. 7

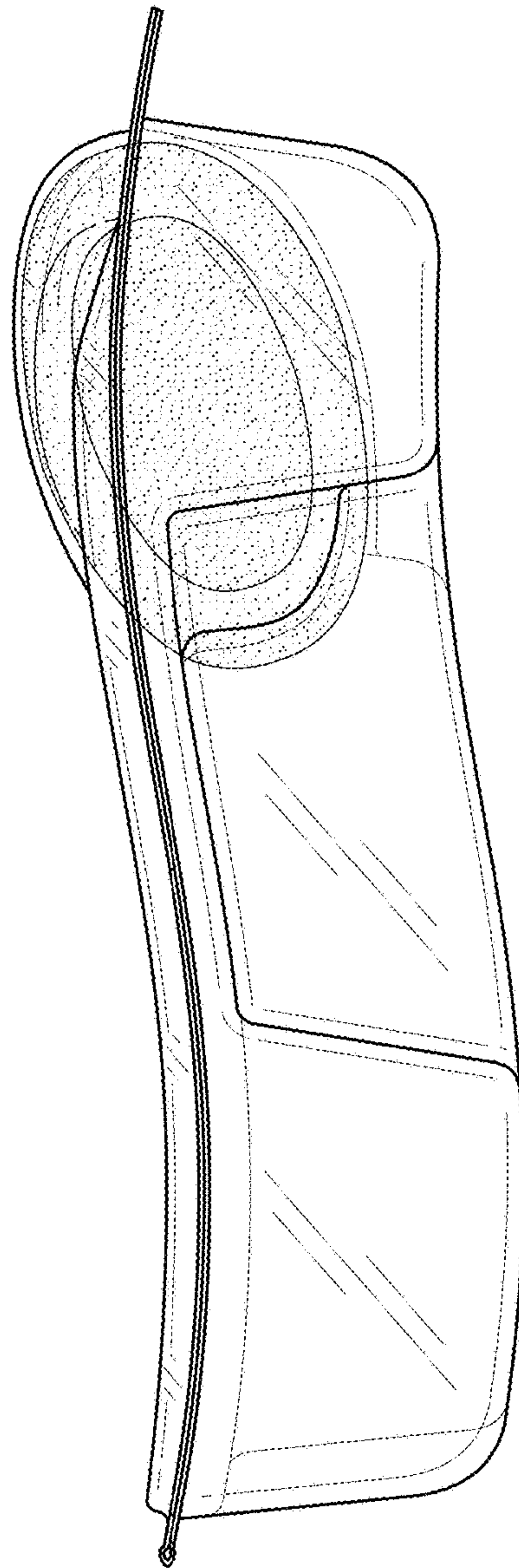


FIG. 8

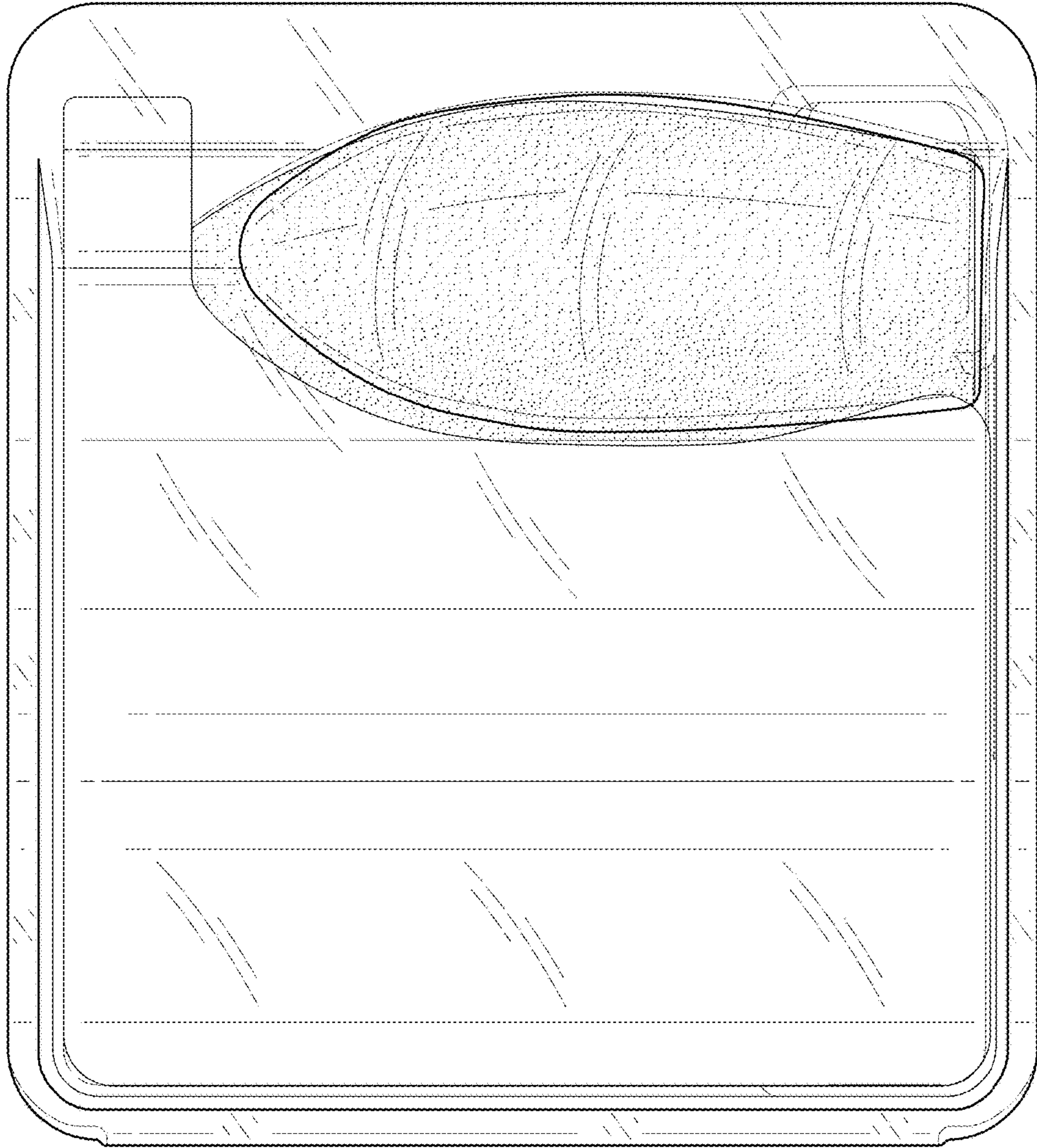


FIG. 9

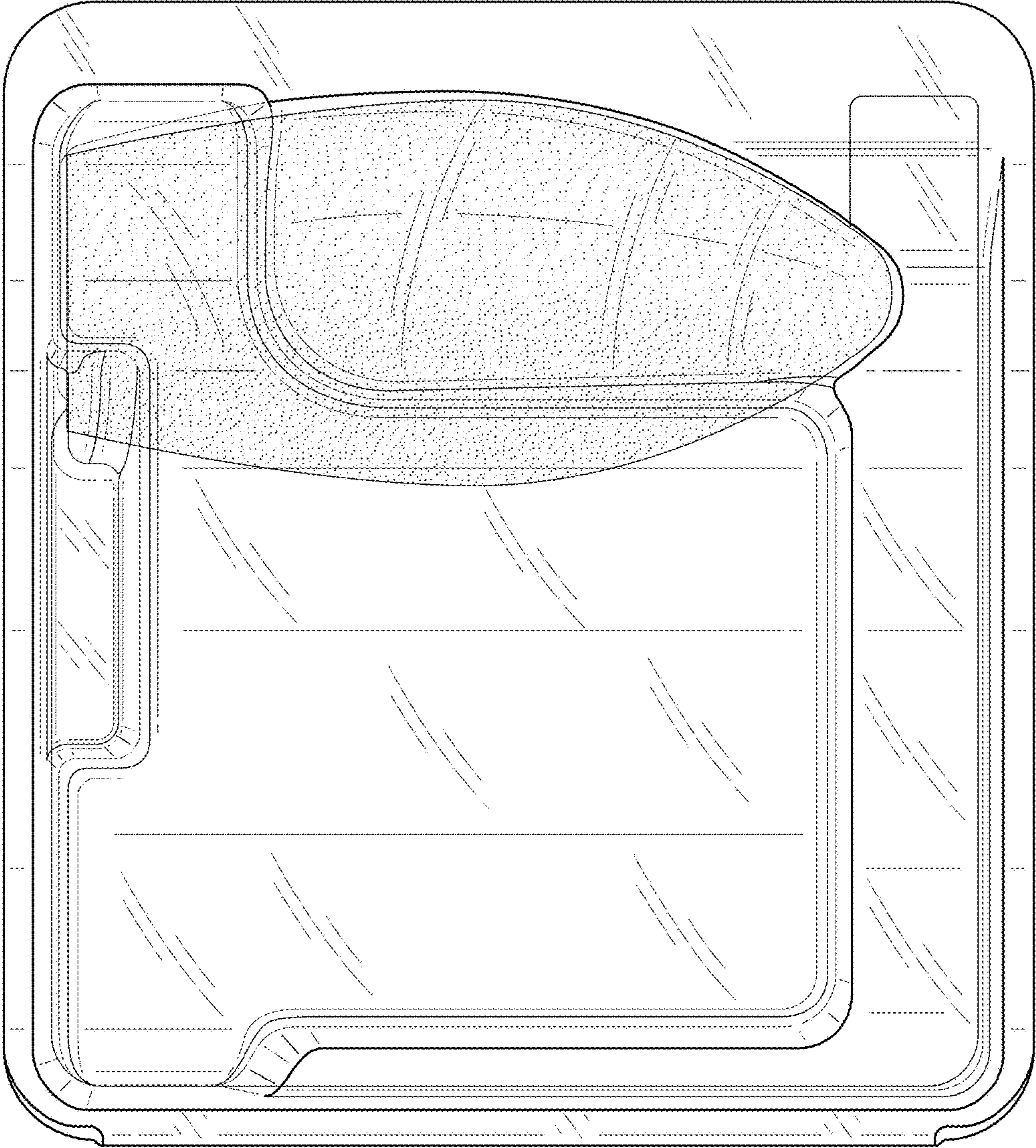


FIG. 10