

US00D856791S

(12) **United States Design Patent** (10) **Patent No.:** **US D856,791 S**
Limber (45) **Date of Patent:** **** Aug. 20, 2019**

- (54) **UNIVERSAL DECORATING CLIP**
- (71) Applicant: **Jamie Limber**, Phoenix, AZ (US)
- (72) Inventor: **Jamie Limber**, Phoenix, AZ (US)
- (73) Assignee: **Simple Living Solutions, LLC**,
Scottsdale, AZ (US)
- (**) Term: **15 Years**
- (21) Appl. No.: **29/649,527**
- (22) Filed: **May 31, 2018**
- (51) **LOC (12) Cl.** **08-08**
- (52) **U.S. Cl.**
USPC **D8/395**
- (58) **Field of Classification Search**
USPC D8/349, 354, 356, 382, 383, 394, 395,
D8/396
CPC F16B 2/22; F21S 4/10; F21V 21/088
See application file for complete search history.

(56) **References Cited**

U.S. PATENT DOCUMENTS

| | | | | |
|--------------|---------|------------|-------|---------|
| D319,575 S * | 9/1991 | Young | | D26/138 |
| D340,183 S * | 10/1993 | Rumpel | | D8/349 |
| D356,246 S * | 3/1995 | Adams | | D26/138 |
| D356,492 S * | 3/1995 | Adams | | D26/138 |
| D365,014 S * | 12/1995 | Fennessy | | D26/138 |
| D376,535 S * | 12/1996 | Gary | | D26/138 |
| D402,396 S * | 12/1998 | Protz, Jr. | | D26/138 |
| D414,291 S * | 9/1999 | Gary | | D26/138 |
| D422,203 S * | 4/2000 | Gary | | D8/367 |
| D424,418 S * | 5/2000 | Gary | | D26/138 |
| D427,510 S * | 7/2000 | Gary | | D26/138 |
| D451,007 S * | 11/2001 | Jones | | D8/367 |
| D460,912 S * | 7/2002 | Gary | | D8/395 |
| D494,849 S * | 8/2004 | Jones | | D8/395 |
| D510,018 S * | 9/2005 | Tognolini | | D8/395 |
| D530,598 S * | 10/2006 | Jackson | | D8/395 |
| D531,018 S * | 10/2006 | Jackson | | D8/395 |

| | | | | |
|-----------------|---------|------------|-------|------------------------|
| D537,330 S * | 2/2007 | Cox | | D8/395 |
| D538,636 S * | 3/2007 | Jackson | | D8/395 |
| D562,675 S * | 2/2008 | Cox | | D8/395 |
| D562,676 S * | 2/2008 | Cox | | D8/395 |
| D564,347 S * | 3/2008 | Limber | | D8/395 |
| D671,826 S * | 12/2012 | Adams, IV | | D8/395 |
| D675,087 S * | 1/2013 | Gary | | D8/395 |
| D675,509 S * | 2/2013 | Gary | | D8/395 |
| D675,510 S * | 2/2013 | Gary | | D8/395 |
| D696,105 S * | 12/2013 | Devilliers | | D8/395 |
| 8,888,337 B2 * | 11/2014 | Adams, IV | | F21V 21/088 362/287 |
| D751,377 S * | 3/2016 | Duffy | | D8/395 |
| D756,764 S * | 5/2016 | Limber | | D8/395 |
| D798,139 S * | 9/2017 | Giannatti | | D8/394 |
| D799,314 S * | 10/2017 | Adams, IV | | D8/395 |
| D824,246 S * | 7/2018 | Ming | | D8/382 |
| 10,180,242 B2 * | 1/2019 | Schreiber | | F21V 21/088 |

* cited by examiner

Primary Examiner — John Windmuller

Assistant Examiner — Steven J Czyz

(74) *Attorney, Agent, or Firm* — Iussa Law, PLLC

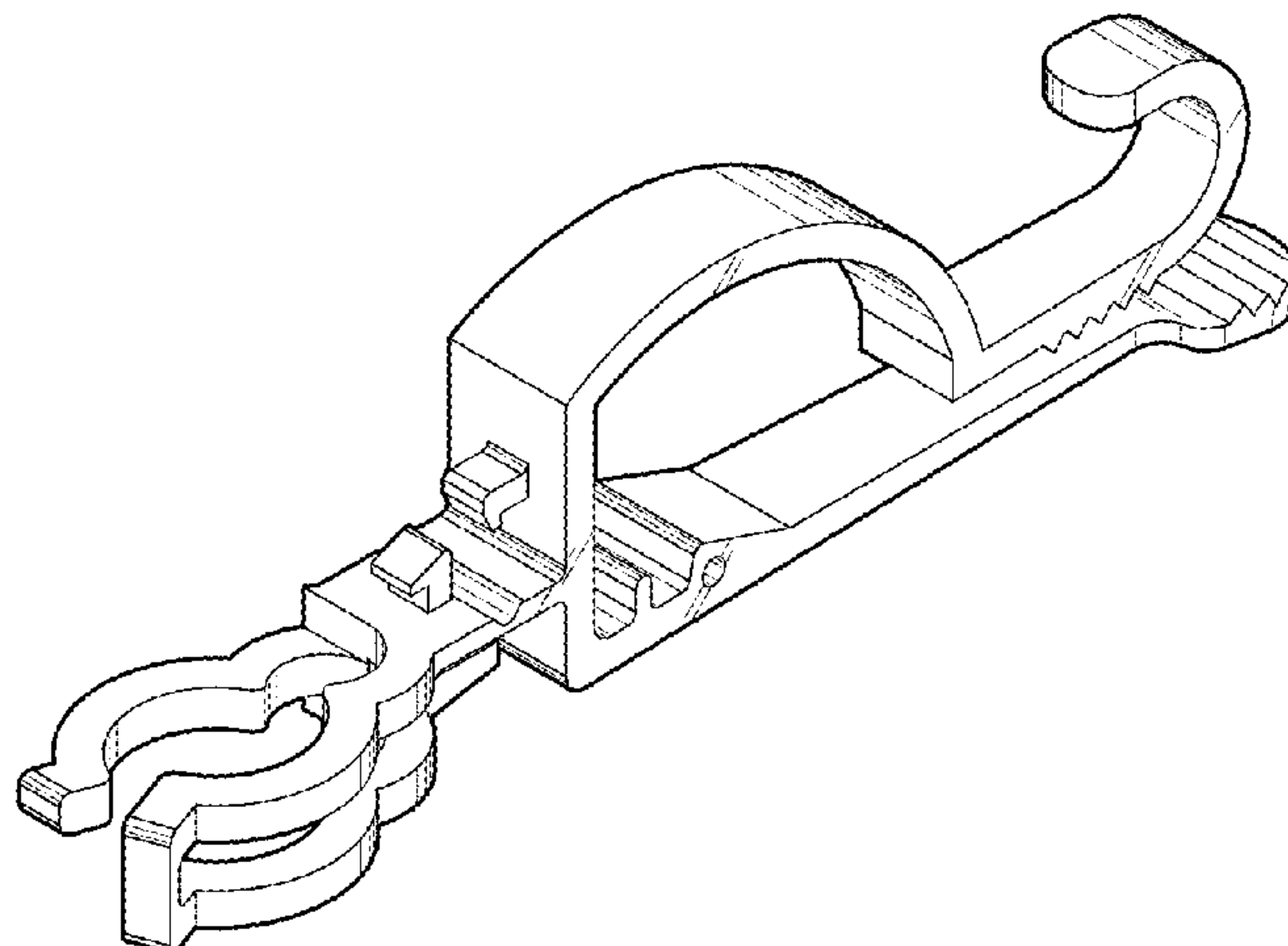
(57) **CLAIM**

The ornamental design for a universal decorating clip, as shown and described.

DESCRIPTION

FIG. 1 is a top, front, right perspective view of a universal decorating clip of my new design;
 FIG. 2 is a top, front, left perspective view thereof;
 FIG. 3 is a bottom, rear, left perspective view thereof;
 FIG. 4 is a bottom, rear, right perspective view thereof;
 FIG. 5 is a front view thereof;
 FIG. 6 is a rearview thereof;
 FIG. 7 is a left side view thereof;
 FIG. 8 is a right side view thereof;
 FIG. 9 is a top view thereof; and,
 FIG. 10 is a bottom view thereof.

1 Claim, 4 Drawing Sheets



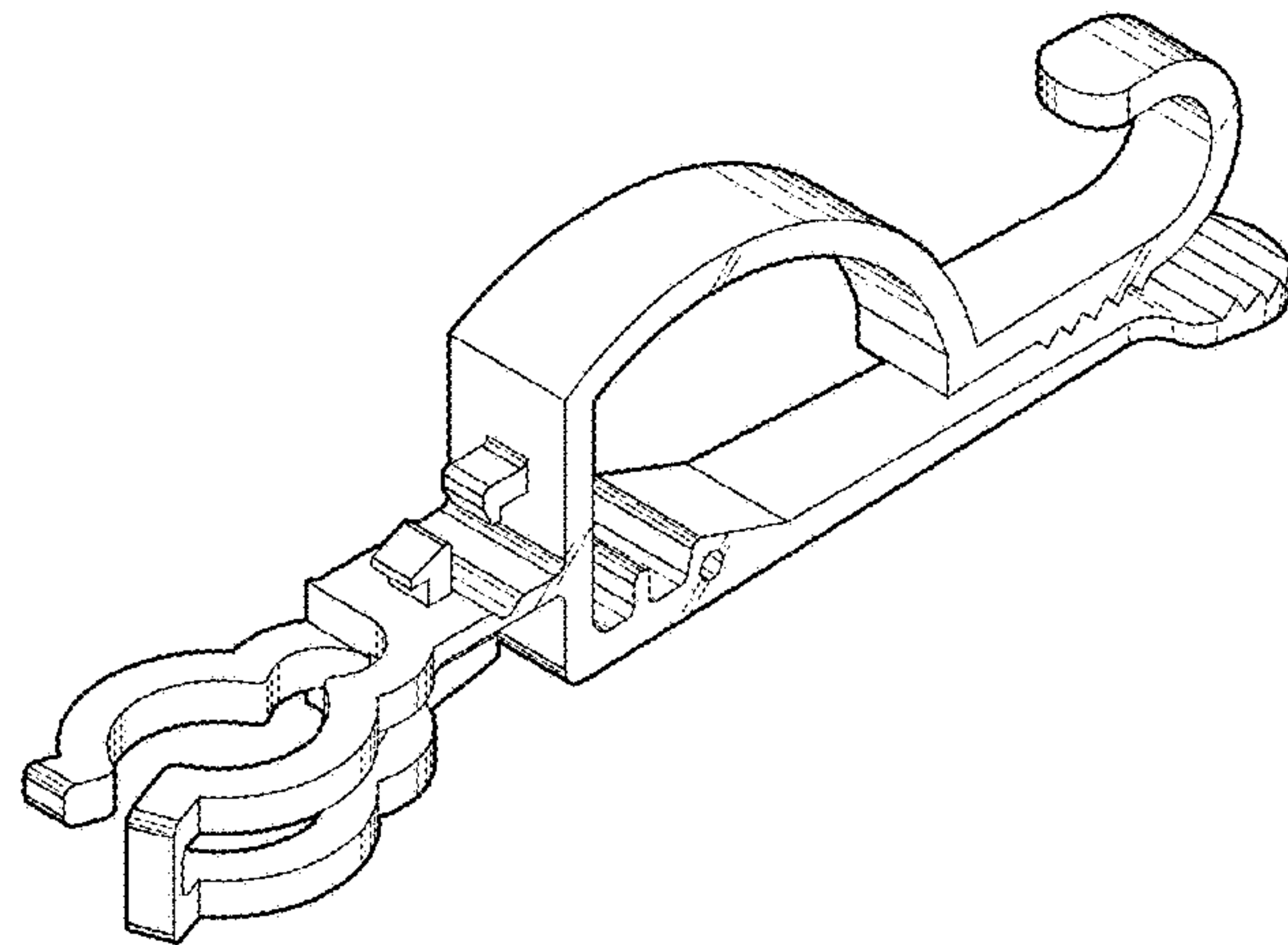


FIG. 1

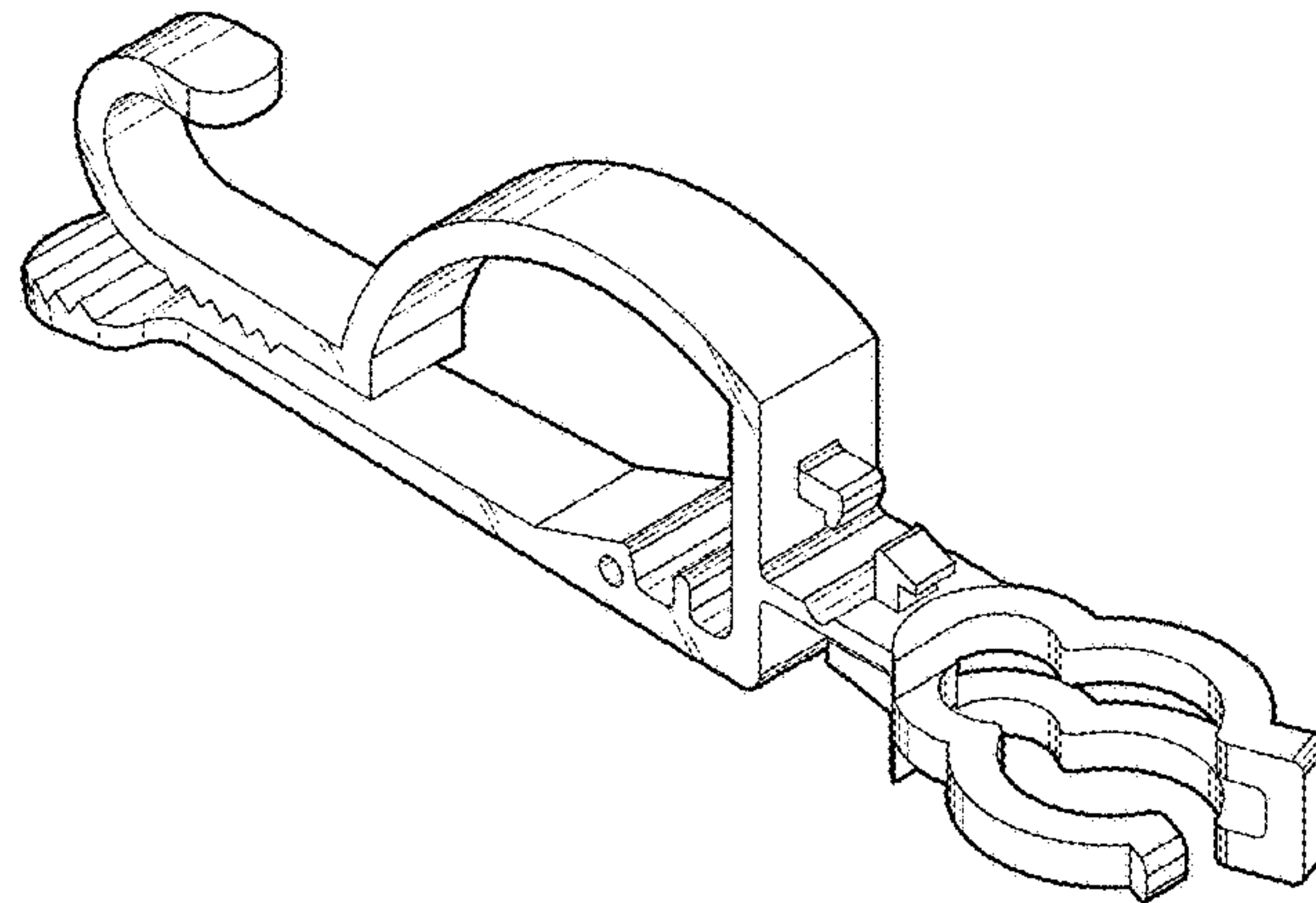


FIG. 2

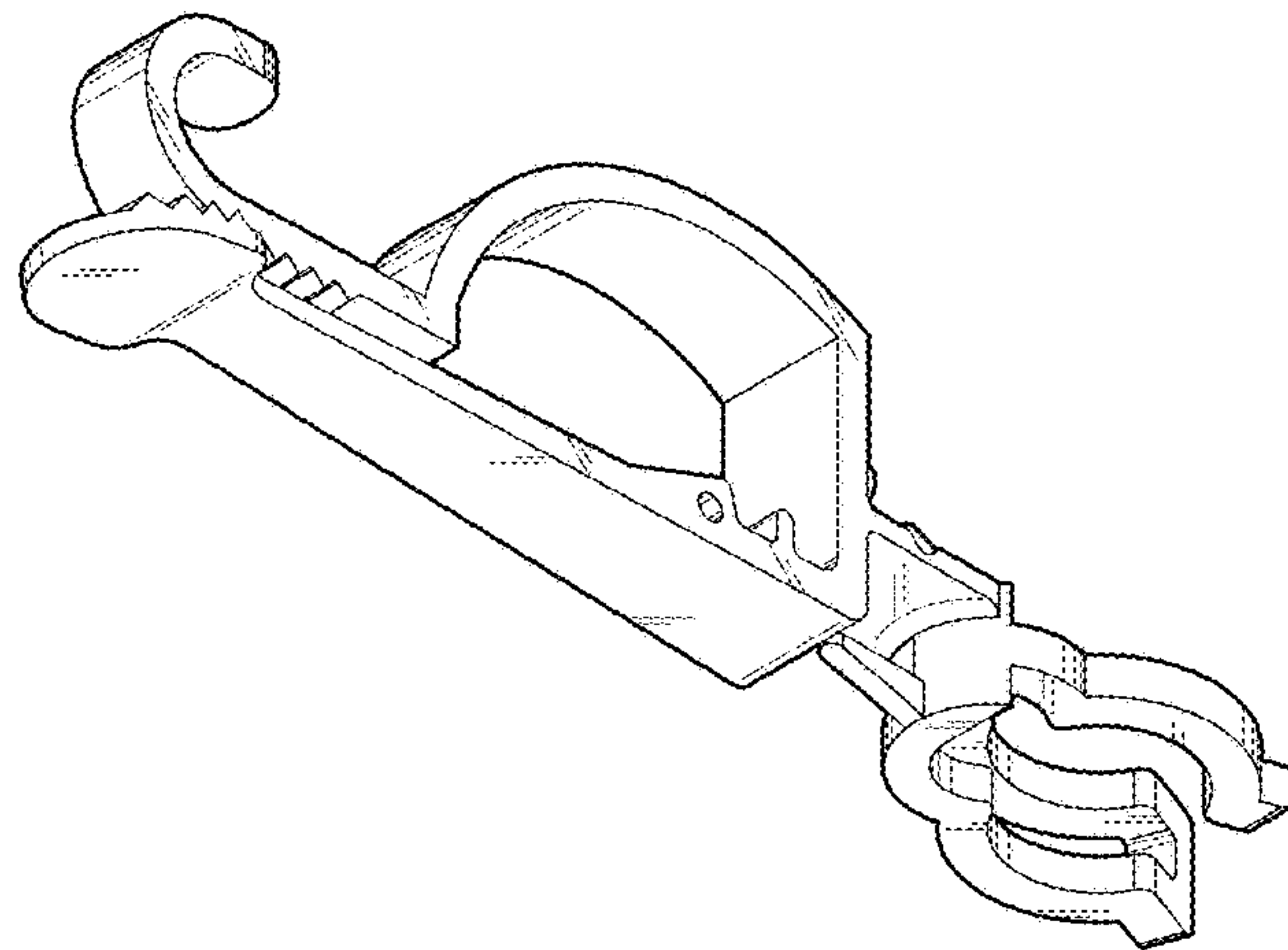


FIG. 3

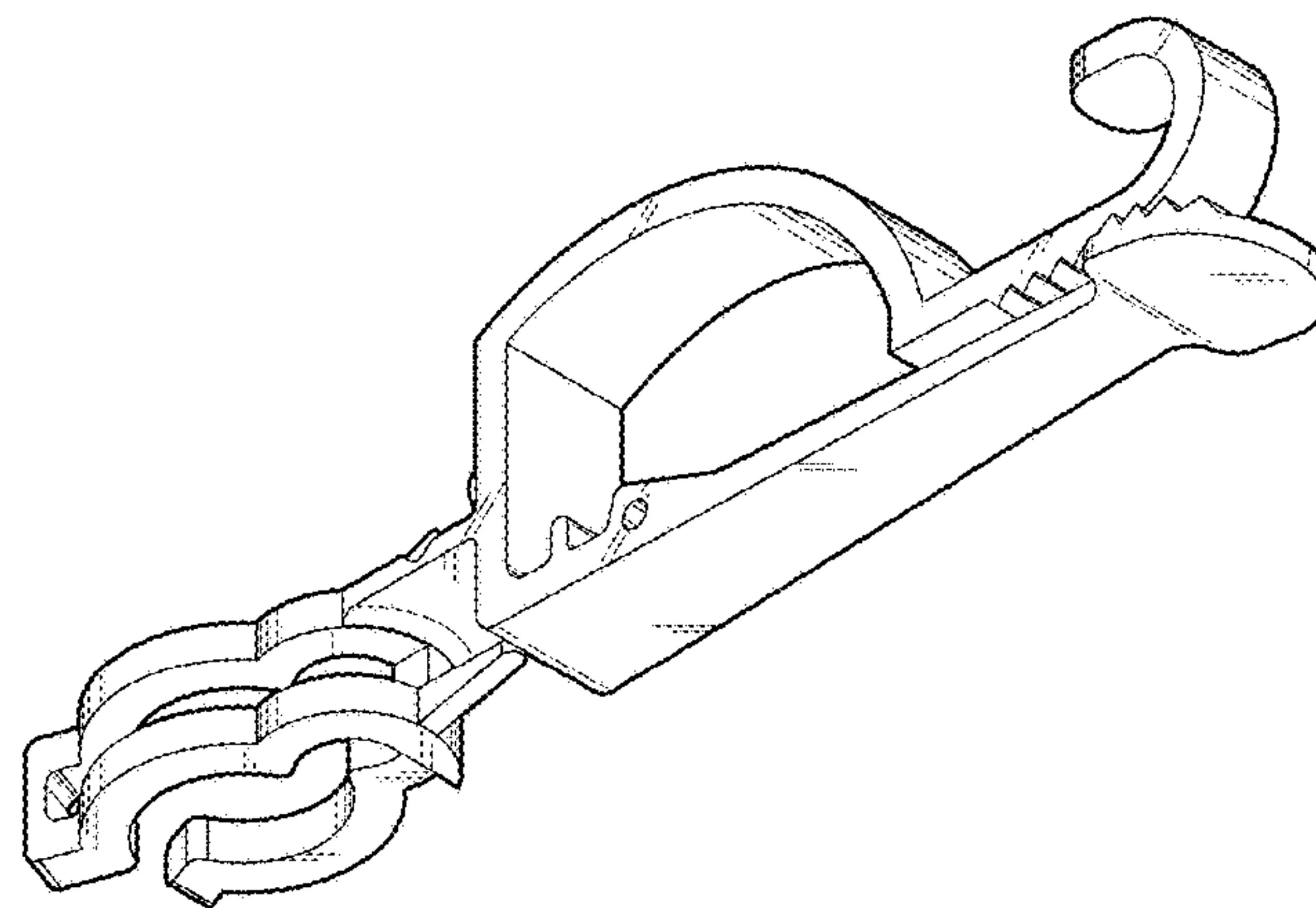


FIG. 4

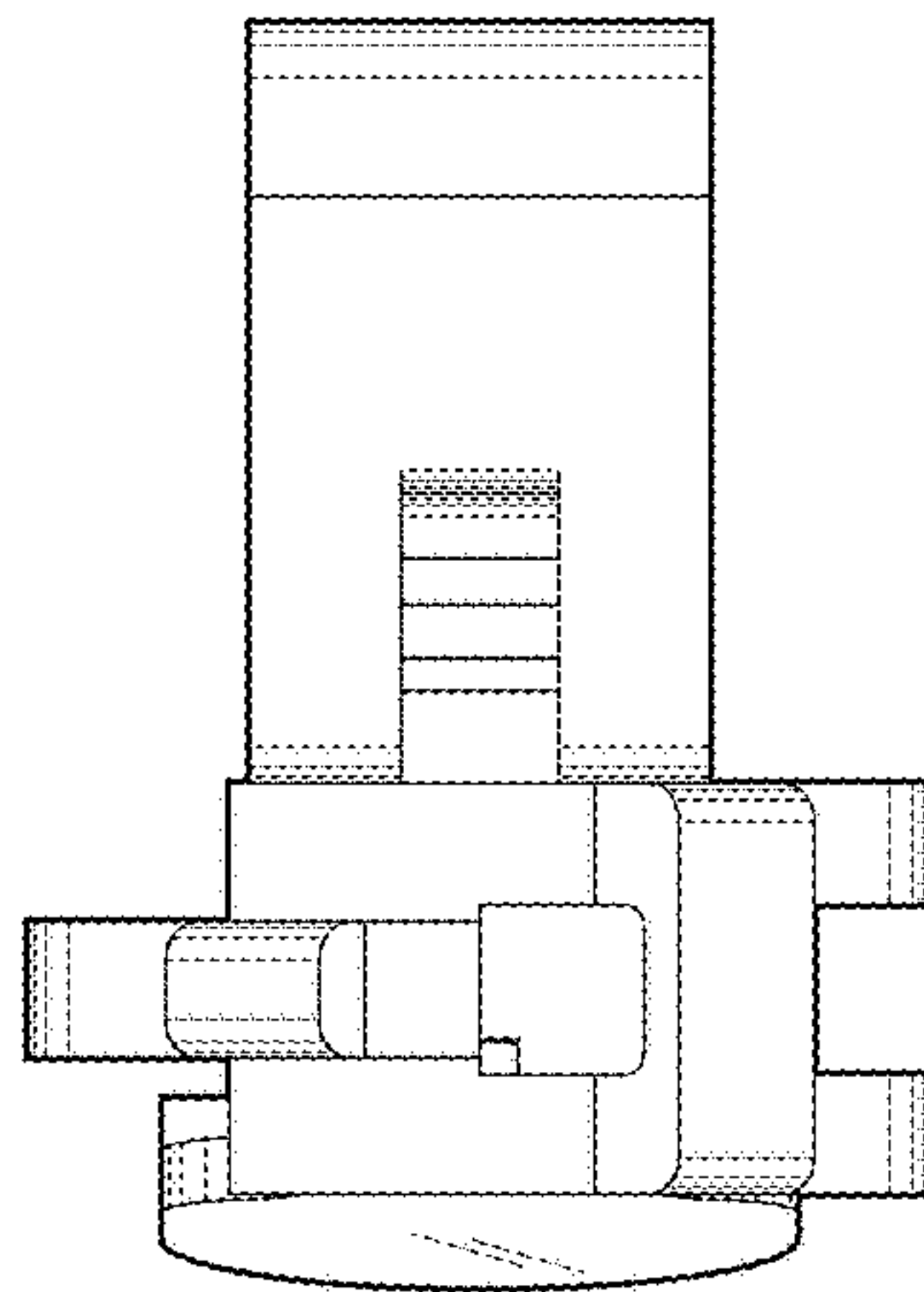


FIG. 5

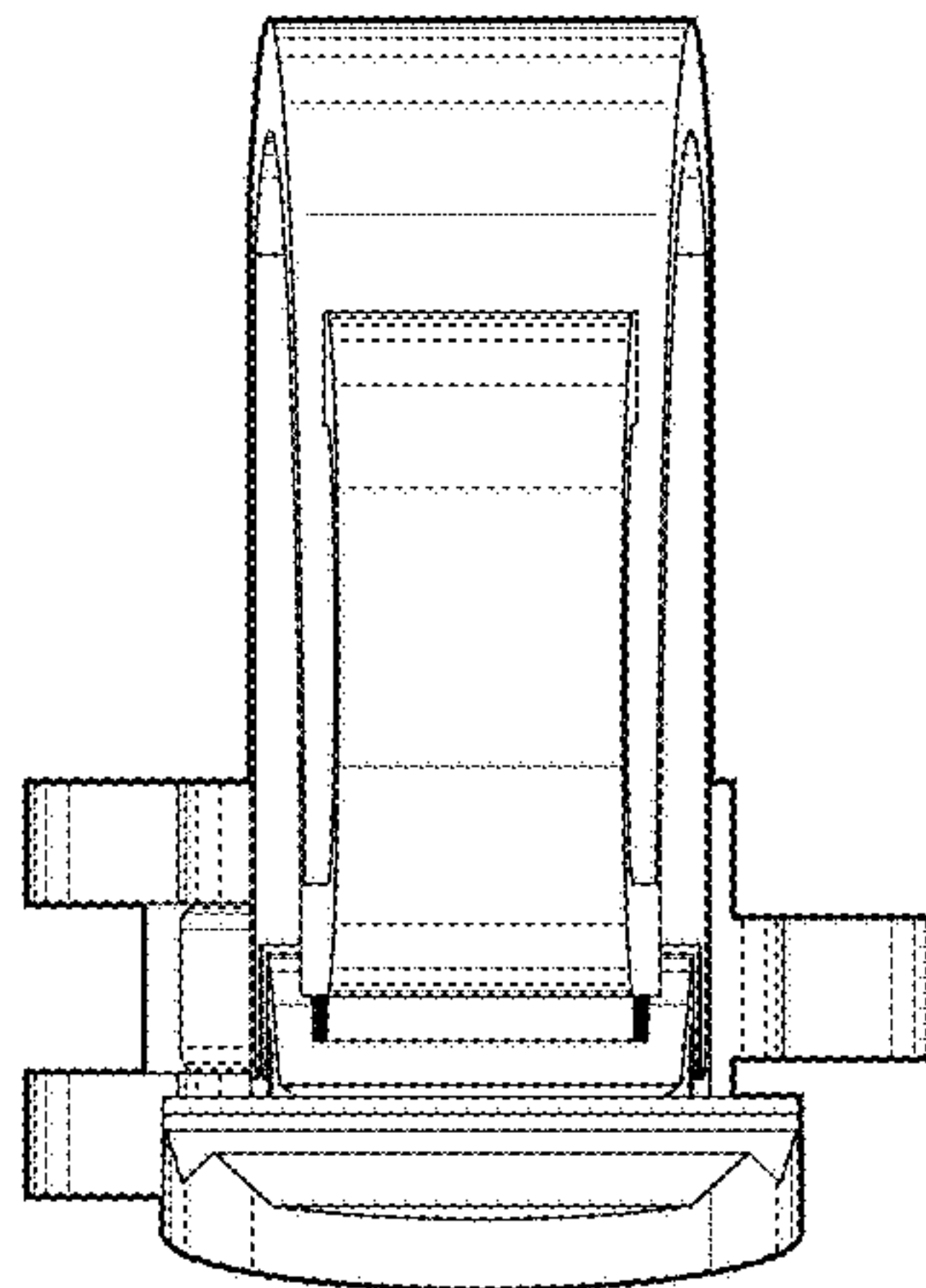


FIG. 6

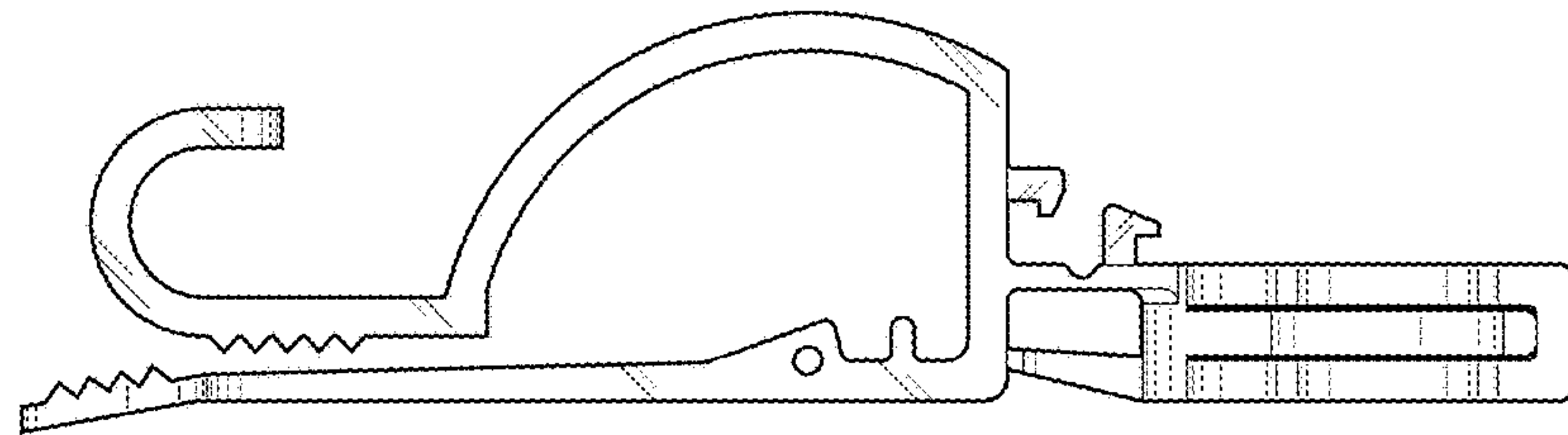


FIG. 7

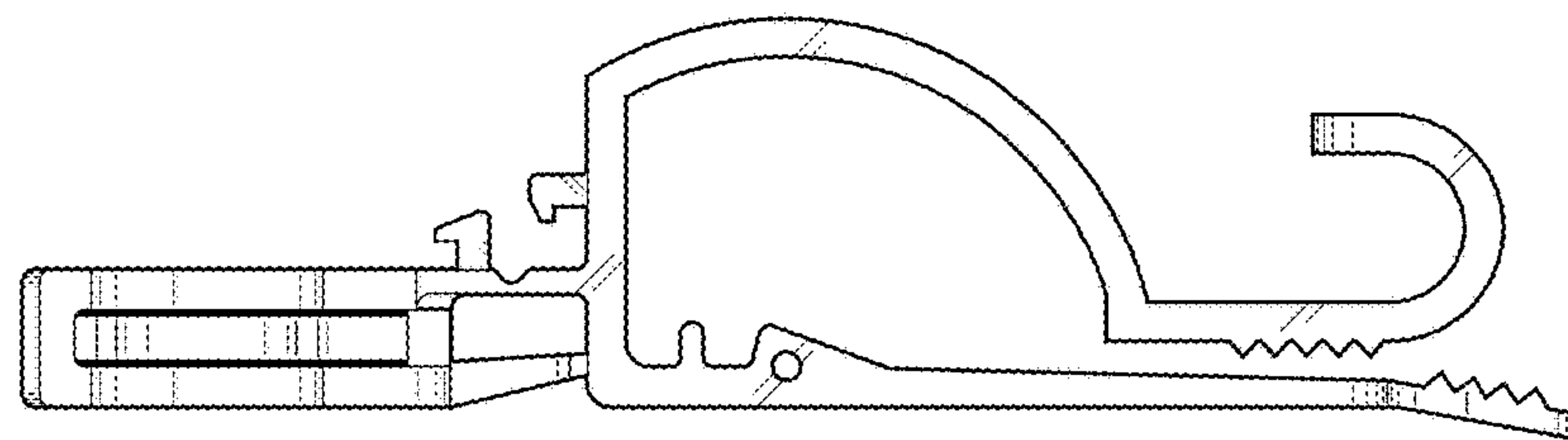


FIG. 8

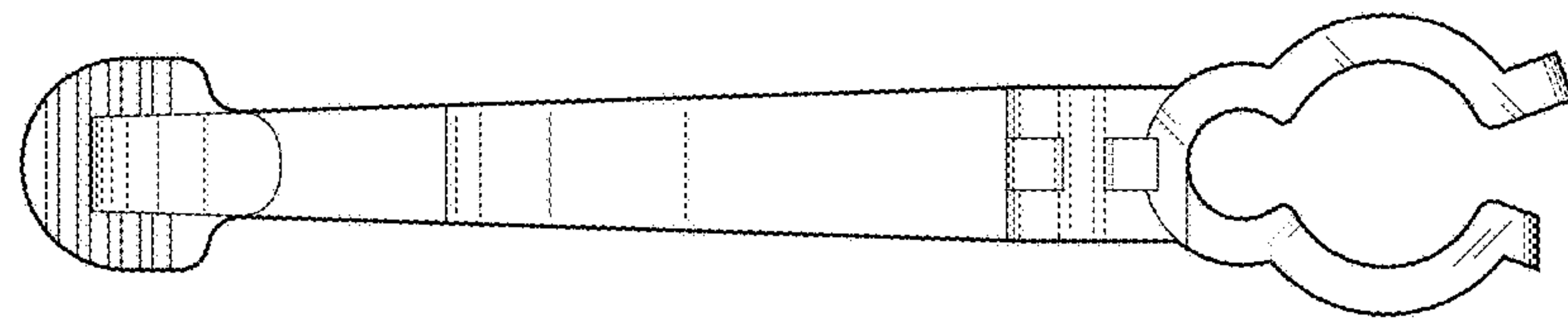


FIG. 9

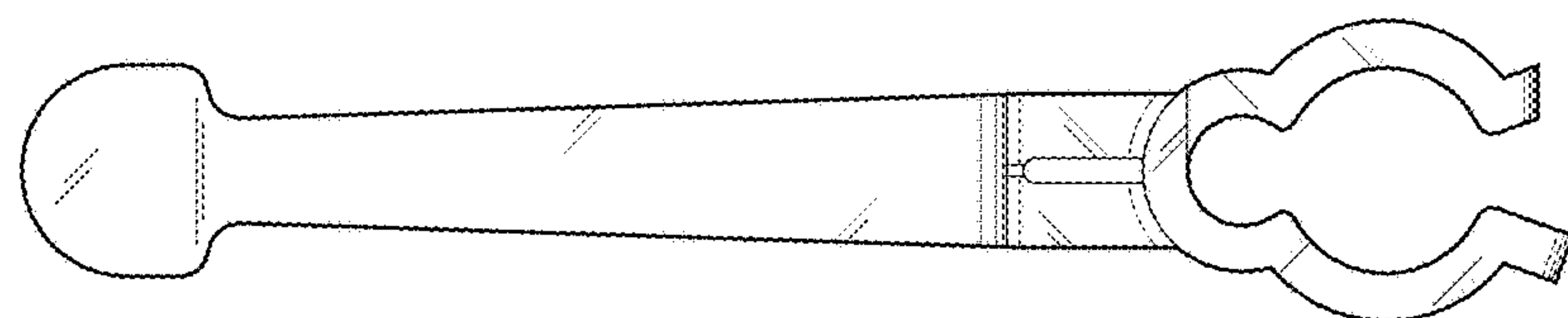


FIG. 10