



US00D856790S

(12) **United States Design Patent**  
**Webb**

(10) **Patent No.:** **US D856,790 S**

(45) **Date of Patent:** **\*\* Aug. 20, 2019**

- (54) **OVERCLAMP**
- (71) Applicant: **Taylor Kerr (Couplings) Limited**,  
Buckinghamshire (GB)
- (72) Inventor: **Ian Webb**, Buckinghamshire (GB)
- (73) Assignee: **TAYLOR KERR (COUPLINGS)**  
**LIMITED DISRAELI HOUSE**,  
Buckinghamshire (GB)
- (\*\*) Term: **15 Years**
- (21) Appl. No.: **29/644,967**
- (22) Filed: **Apr. 23, 2018**
- (30) **Foreign Application Priority Data**  
Oct. 24, 2017 (EM) ..... 004419349-0001
- (51) **LOC (12) Cl.** ..... **08-08**
- (52) **U.S. Cl.**  
USPC ..... **D8/394; D23/262**
- (58) **Field of Classification Search**  
USPC ..... D8/349, 354, 356, 366, 382, 394, 395,  
D8/396, 499, 71, 72; D23/262, 265  
CPC ..... F16L 21/00; F16L 21/005; F16L 21/007;  
F16L 21/065; F16L 23/00; F16L 25/0036;  
F16L 27/1012; Y10T 29/49948  
See application file for complete search history.

- (56) **References Cited**  
U.S. PATENT DOCUMENTS  
D257,947 S \* 1/1981 Reynoso ..... 248/57  
D305,629 S \* 1/1990 Wood ..... D12/133  
D307,494 S \* 4/1990 Goodnight ..... D29/130  
D314,325 S \* 2/1991 Ziaylek, Jr. .... D8/373  
5,069,415 A \* 12/1991 Mechallas ..... H02K 5/26  
248/604

- D335,079 S \* 4/1993 Sachs ..... D8/396
- 6,877,780 B2 \* 4/2005 Potts ..... F16L 21/005  
285/367
- D516,401 S \* 3/2006 Snider ..... D8/70
- D574,472 S \* 8/2008 Kanao ..... D23/262
- D584,598 S \* 1/2009 Dale ..... D8/354
- D602,347 S \* 10/2009 Allen ..... D8/382
- D650,889 S \* 12/2011 van Walraven ..... D23/265
- D704,900 S \* 5/2014 Childs ..... D29/130
- D717,409 S \* 11/2014 Buchanan ..... F16L 21/007  
D23/262
- D736,072 S \* 8/2015 Sandman ..... D8/394
- D737,133 S \* 8/2015 Sandman ..... D8/396
- 9,341,291 B2 \* 5/2016 Sandman ..... F24F 13/10
- D805,369 S \* 12/2017 Vassar ..... D8/349
- D835,243 S \* 12/2018 Chiproot ..... D23/262
- 2006/0284420 A1 \* 12/2006 Dole ..... F16L 27/1012  
285/367

\* cited by examiner

*Primary Examiner* — John Windmuller

*Assistant Examiner* — Steven J Czyz

(74) *Attorney, Agent, or Firm* — The Dobrusin Law Firm,  
P.C.; Daniel P. Aleksynas

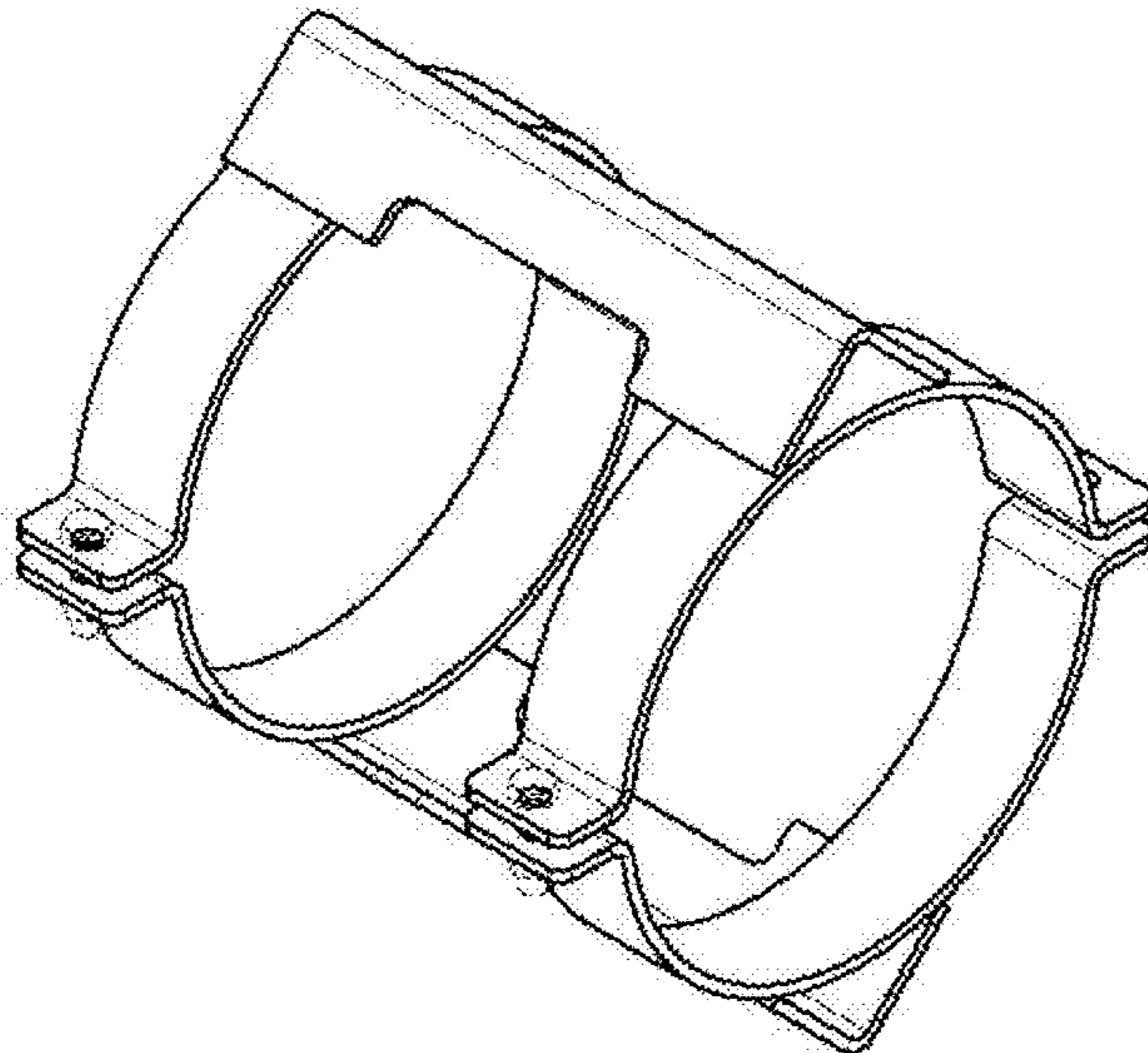
(57) **CLAIM**

The ornamental design for a overclamp, as shown and described.

**DESCRIPTION**

FIG. 1 is a rear perspective view of the overclamp.  
 FIG. 2 is a front elevational view of FIG. 1.  
 FIG. 3 is a back elevational view of FIG. 1.  
 FIG. 4 is a right side elevational view of FIG. 1.  
 FIG. 5 is a left side elevational view of FIG. 1.  
 FIG. 6 is a top elevational view of FIG. 1; and,  
 FIG. 7 is a bottom elevational view of FIG. 1.  
 The broken lines illustrate portions of the overclamp that form no part of the claimed designs.

**1 Claim, 4 Drawing Sheets**



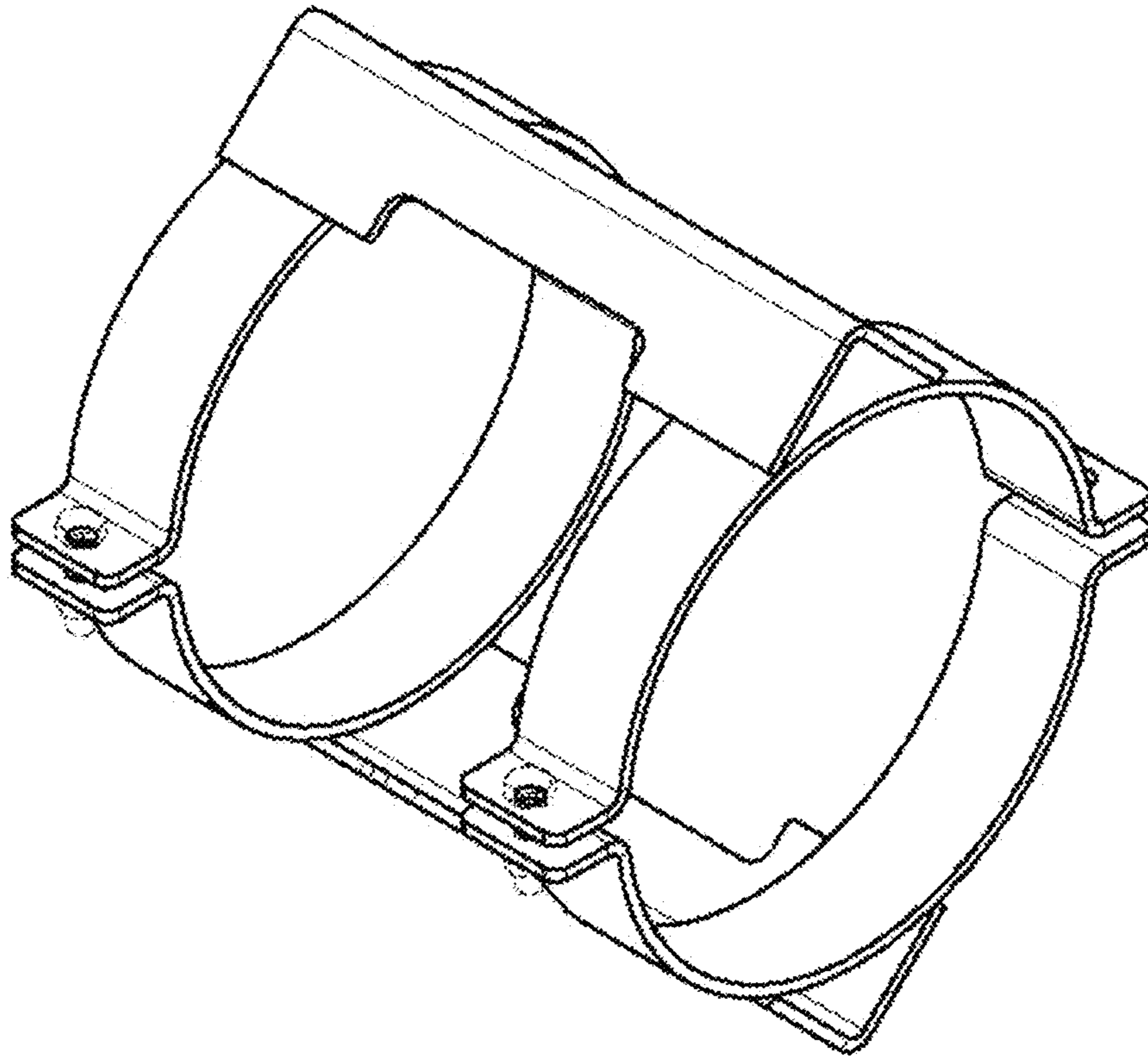


FIG. 1

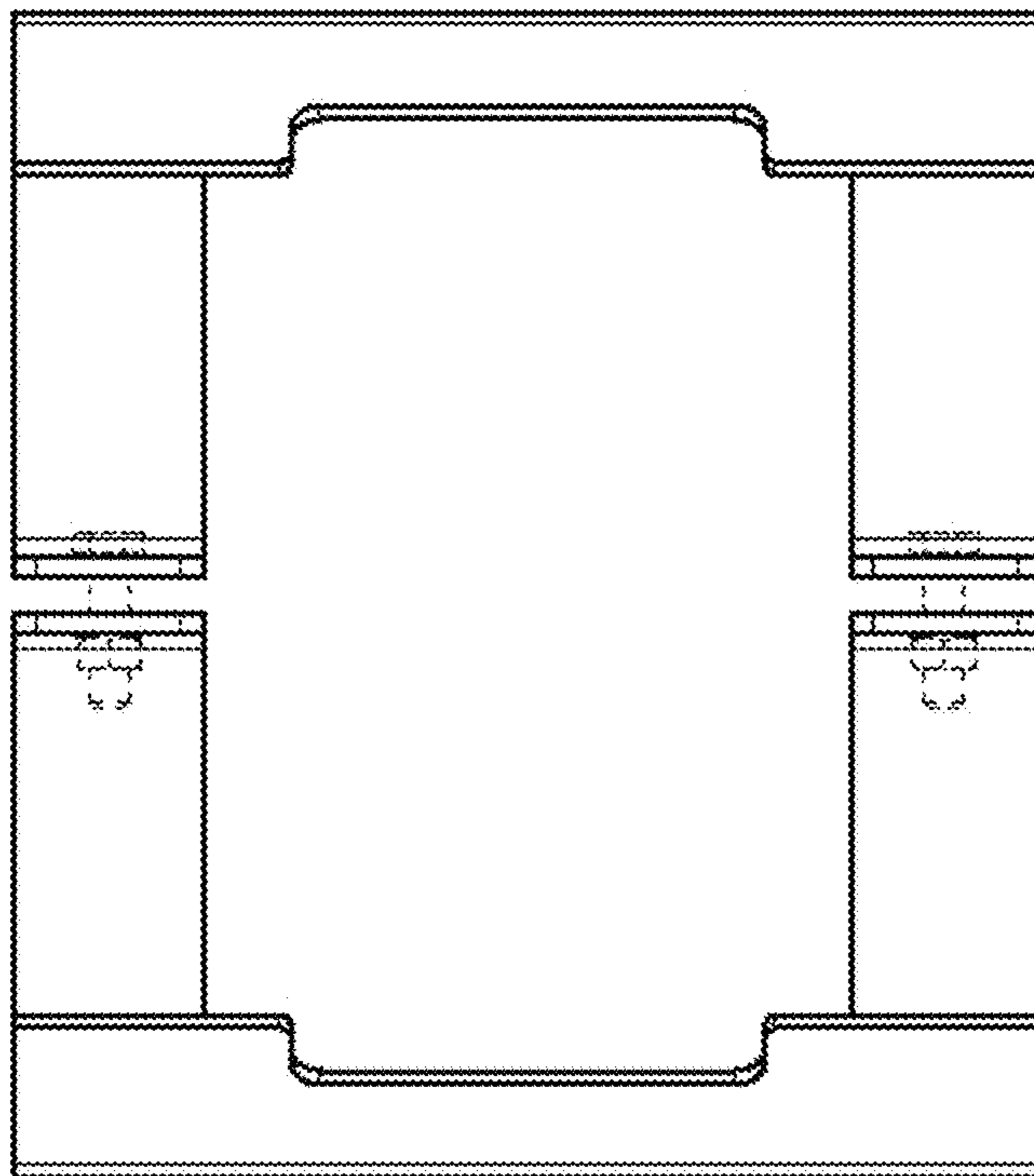


FIG. 2

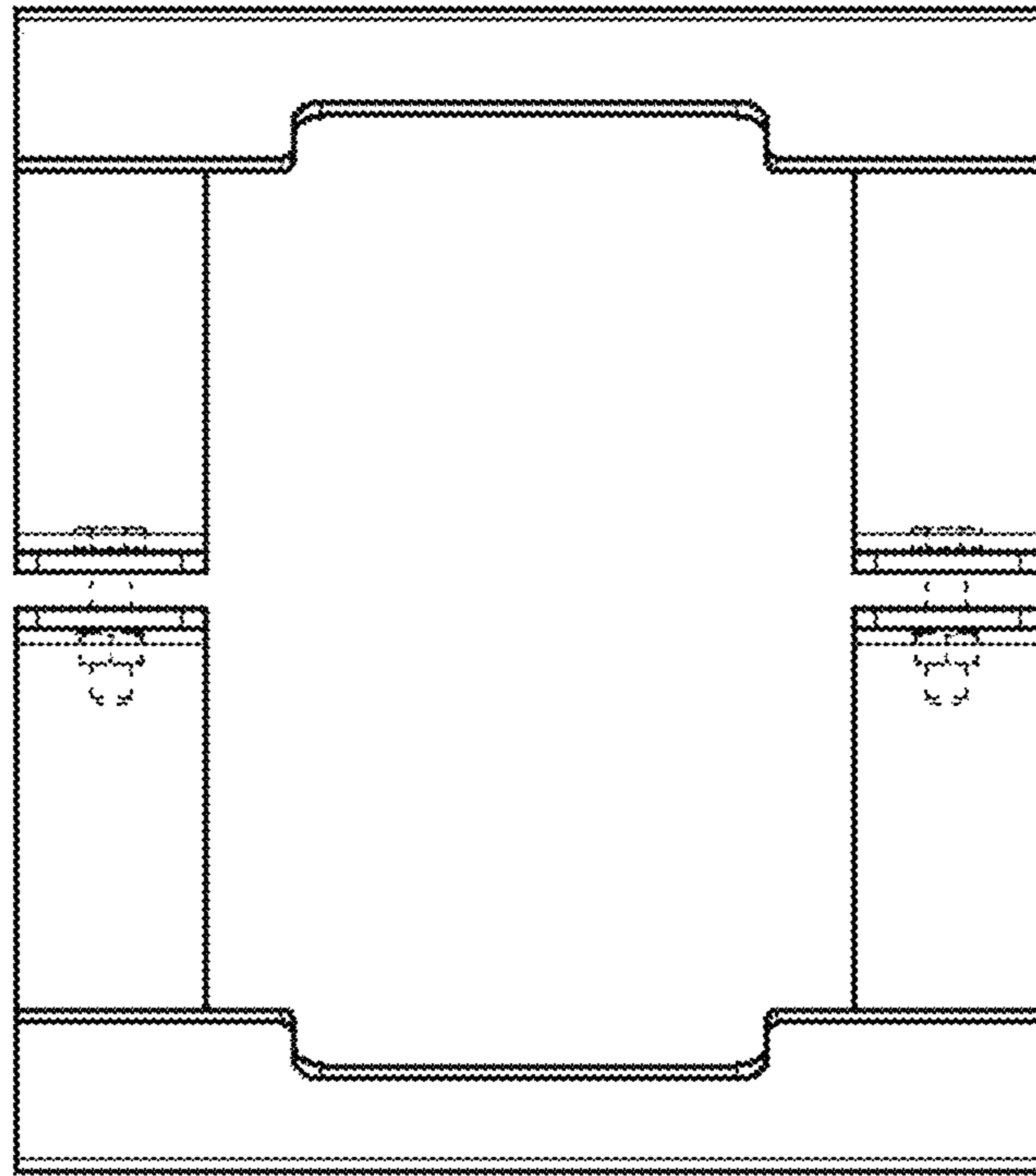


FIG. 3

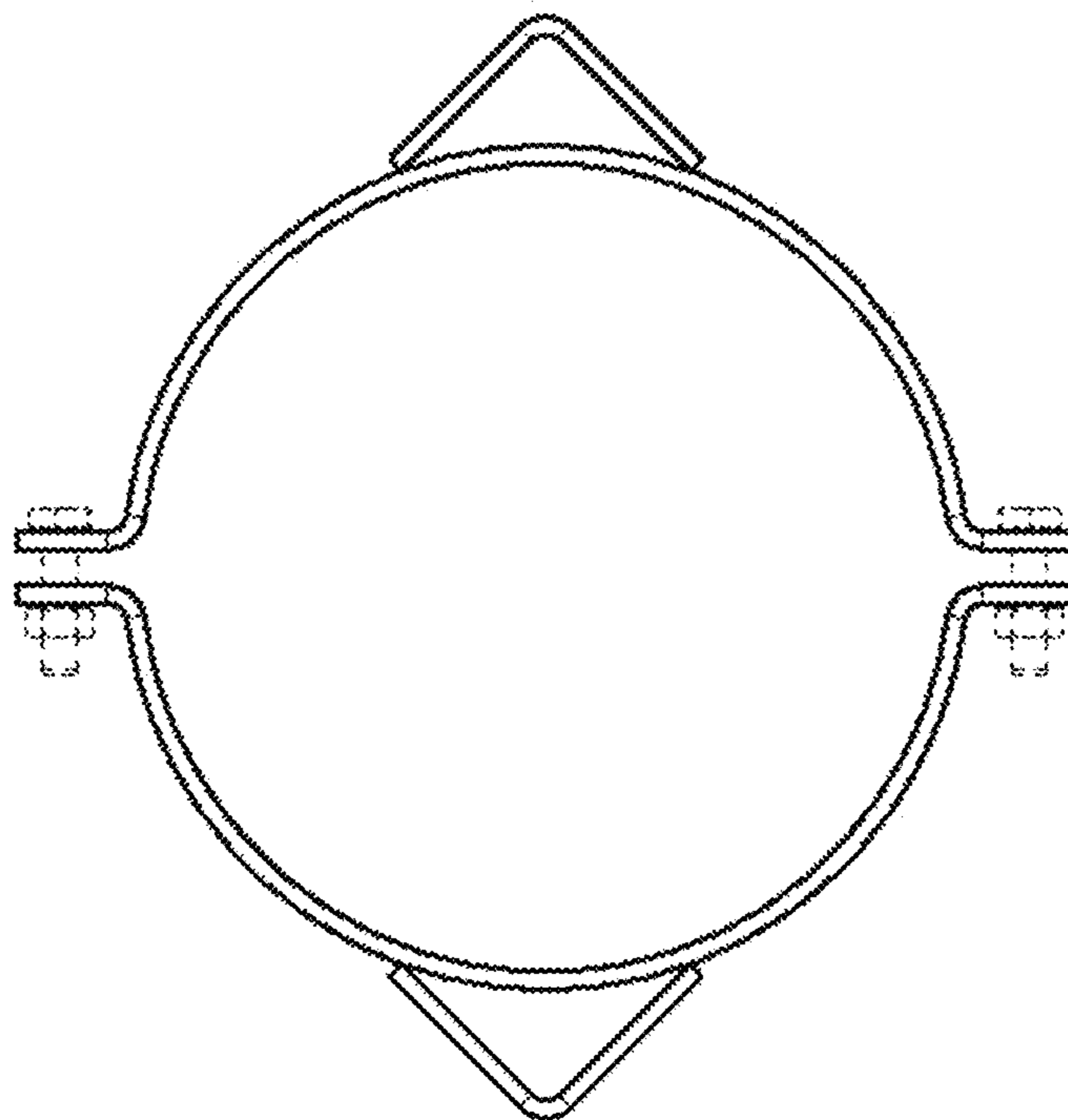


FIG. 4

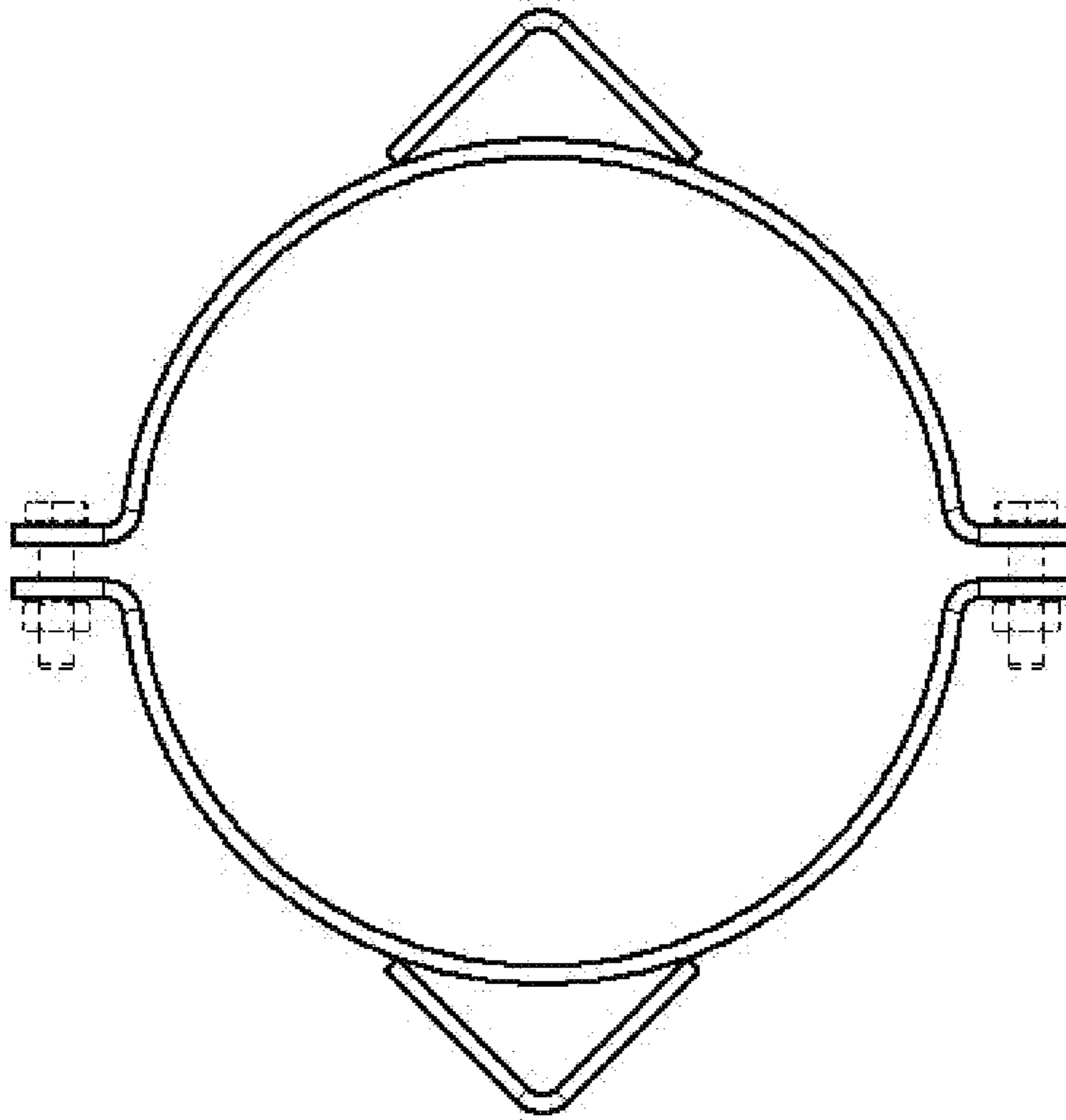


FIG. 5

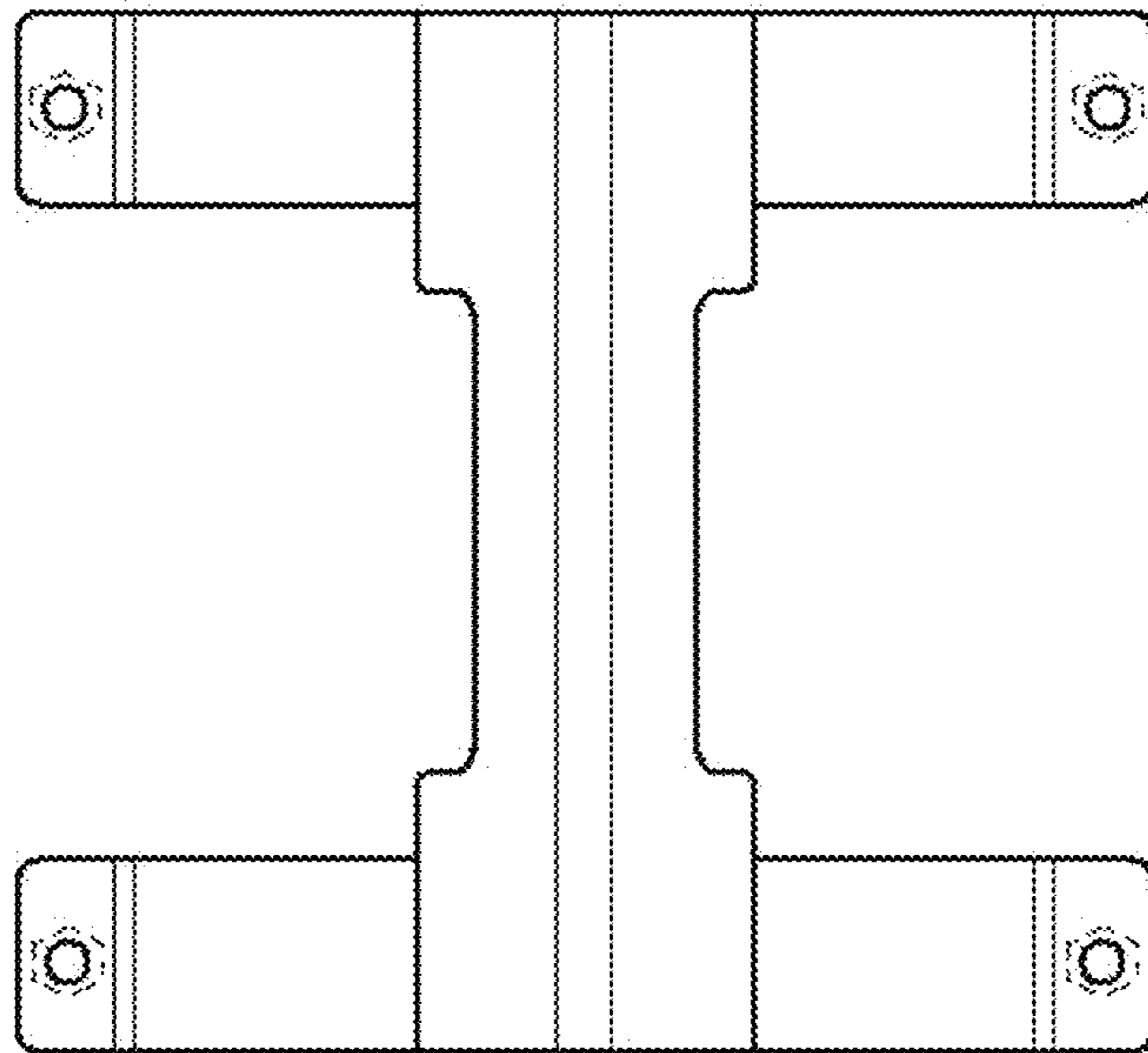


FIG. 6

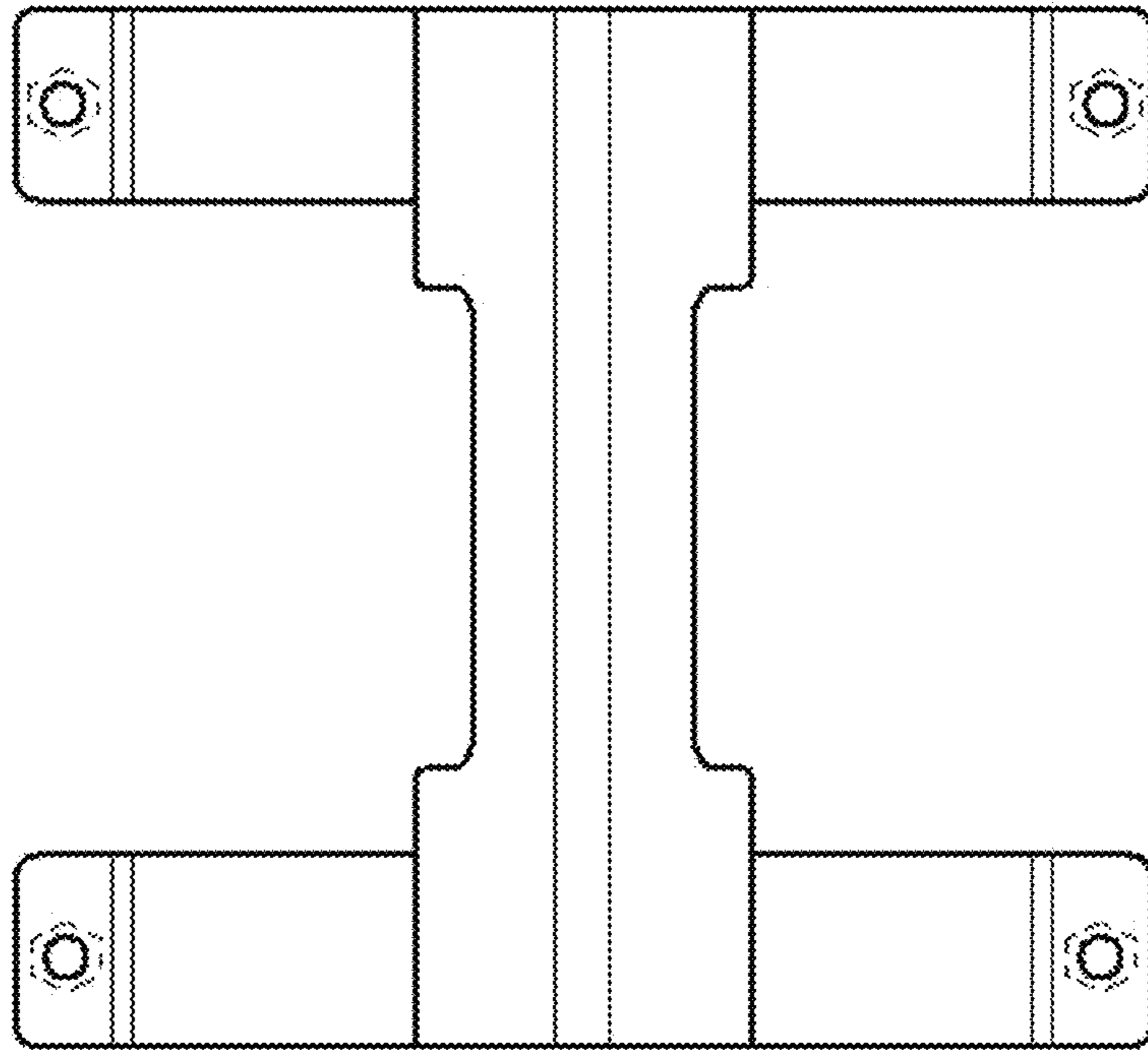


FIG. 7