



US00D856789S

(12) **United States Design Patent** (10) **Patent No.:** **US D856,789 S**  
**Zhu** (45) **Date of Patent:** **\*\* Aug. 20, 2019**

(54) **FENCE CLIP**  
(71) Applicant: **Alan Qing-Lin Zhu**, Ontario, CA (US)  
(72) Inventor: **Alan Qing-Lin Zhu**, Ontario, CA (US)  
(\*\*) Term: **15 Years**  
(21) Appl. No.: **29/546,067**  
(22) Filed: **Nov. 18, 2015**

2007/0170410 A1\* 7/2007 Devine ..... E04H 17/1443  
256/22  
2015/0184419 A1\* 7/2015 Zhu ..... F16B 7/0446  
256/66  
2015/0321622 A1\* 11/2015 Dickinson ..... B60R 13/0206  
24/458

**FOREIGN PATENT DOCUMENTS**

WO WO 01/00951 A1 1/2001  
WO WO 2004/048720 A2 6/2004  
WO WO 2004/013434 A1 12/2004

\* cited by examiner

**Related U.S. Application Data**

(63) Continuation of application No. 14/578,103, filed on Dec. 19, 2014, now Pat. No. 9,234,368.  
(51) **LOC (12) Cl.** ..... **08-08**  
(52) **U.S. Cl.**  
USPC ..... **D8/394**  
(58) **Field of Classification Search**  
USPC ..... D8/349, 394-396; D25/135  
CPC . E04H 17/1443; E04H 17/14; E04H 17/1413;  
E04H 2017/1469; E04H 2017/1447; F16B  
2/22; F16B 7/0446; F16B 21/075  
See application file for complete search history.

*Primary Examiner* — Melanie H Tung  
*Assistant Examiner* — Bao-Yen T Nguyen  
(74) *Attorney, Agent, or Firm* — Lewis Roca Rothgerber  
Christie LLP

(57) **CLAIM**

The ornamental design for fence clip, as shown and described.

**DESCRIPTION**

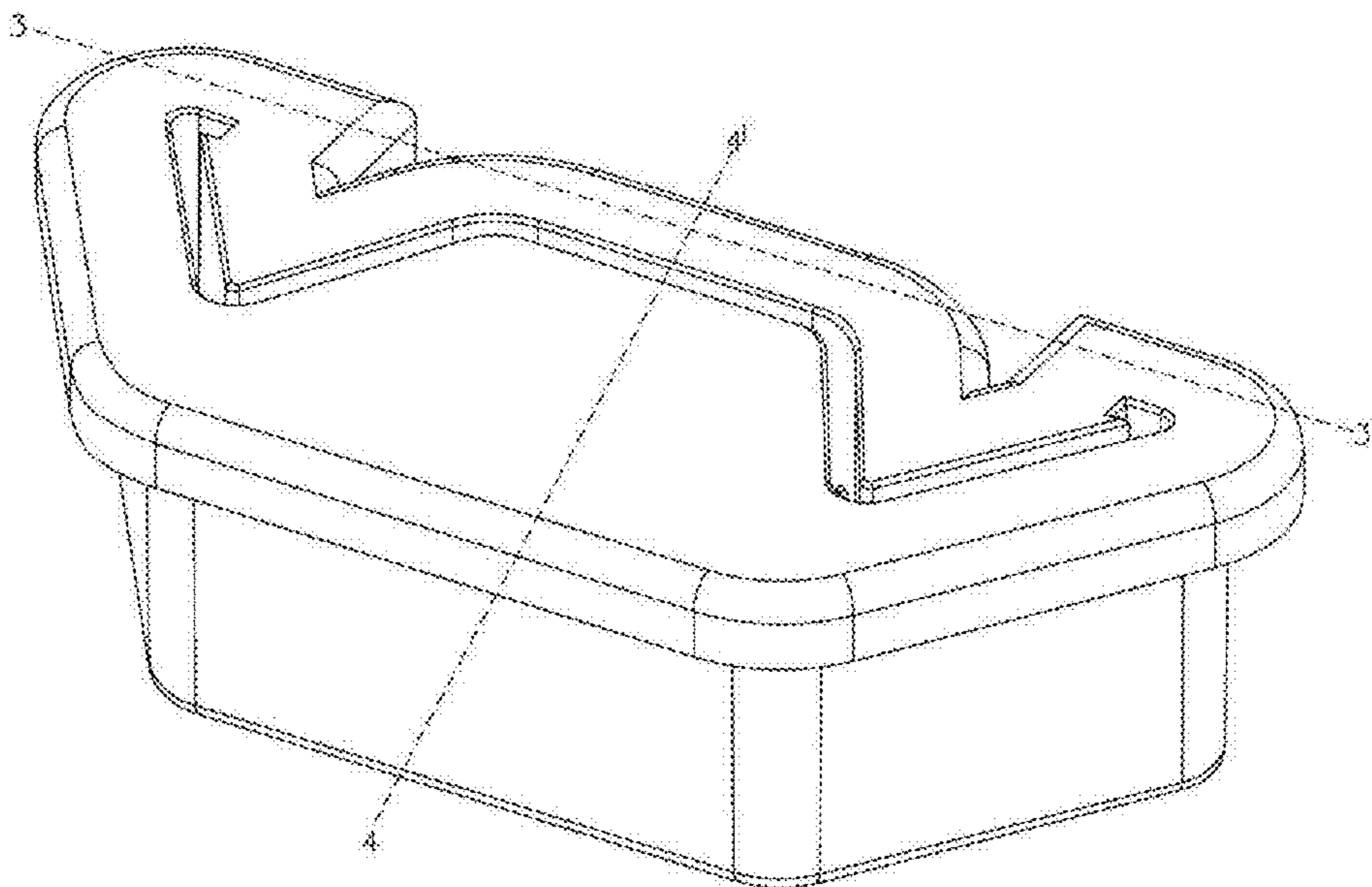
FIG. 1 is a front perspective view of a fence clip according to the present invention;  
FIG. 2 is a bottom perspective view thereof;  
FIG. 3 is a cross-sectional view along the line 3-3' of FIG. 1;  
FIG. 4 is a cross-sectional view along the line 4-4' of FIG. 1;  
FIG. 5 is a top plan view thereof;  
FIG. 6 is a front side view thereof;  
FIG. 7 is a left side view thereof;  
FIG. 8 is a right side view thereof;  
FIG. 9 is a bottom plan view thereof;  
FIG. 10 is a rear side view thereof; and,  
FIG. 11 is a cross-sectional view along the line 11-11' of FIG. 5.

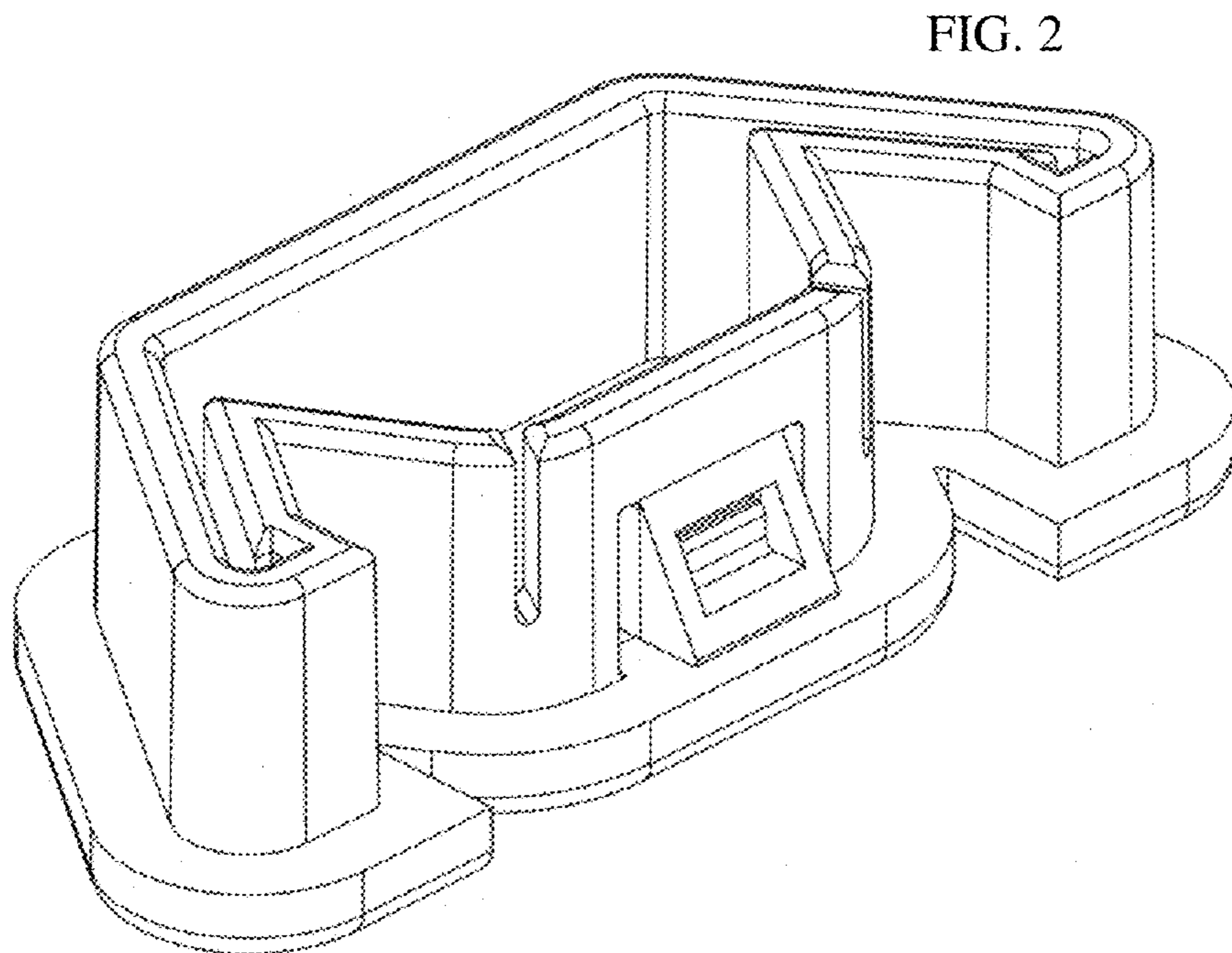
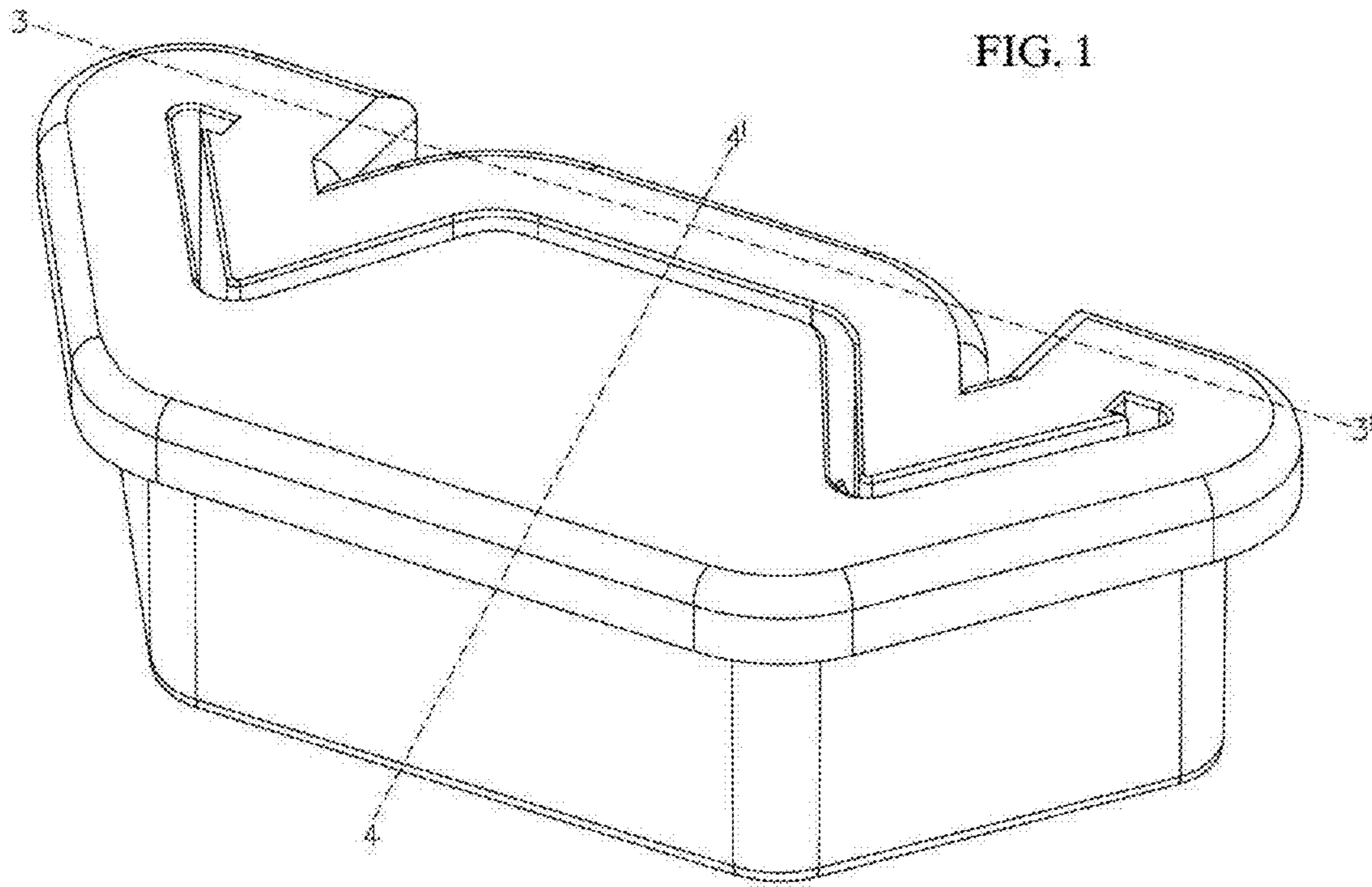
(56) **References Cited**

**U.S. PATENT DOCUMENTS**

D302,655 S \* 8/1989 Sachs ..... D8/395  
8,458,862 B2 \* 6/2013 Reznar ..... F16B 5/125  
24/292  
D722,491 S \* 2/2015 Ramsauer ..... D8/395  
D722,492 S \* 2/2015 Ramsauer ..... D8/395  
D722,493 S \* 2/2015 Ramsauer ..... D8/395  
D722,494 S \* 2/2015 Ramsauer ..... D8/395  
D783,385 S \* 4/2017 Zhu ..... D8/349  
2005/0285091 A1 12/2005 Ko

**1 Claim, 9 Drawing Sheets**





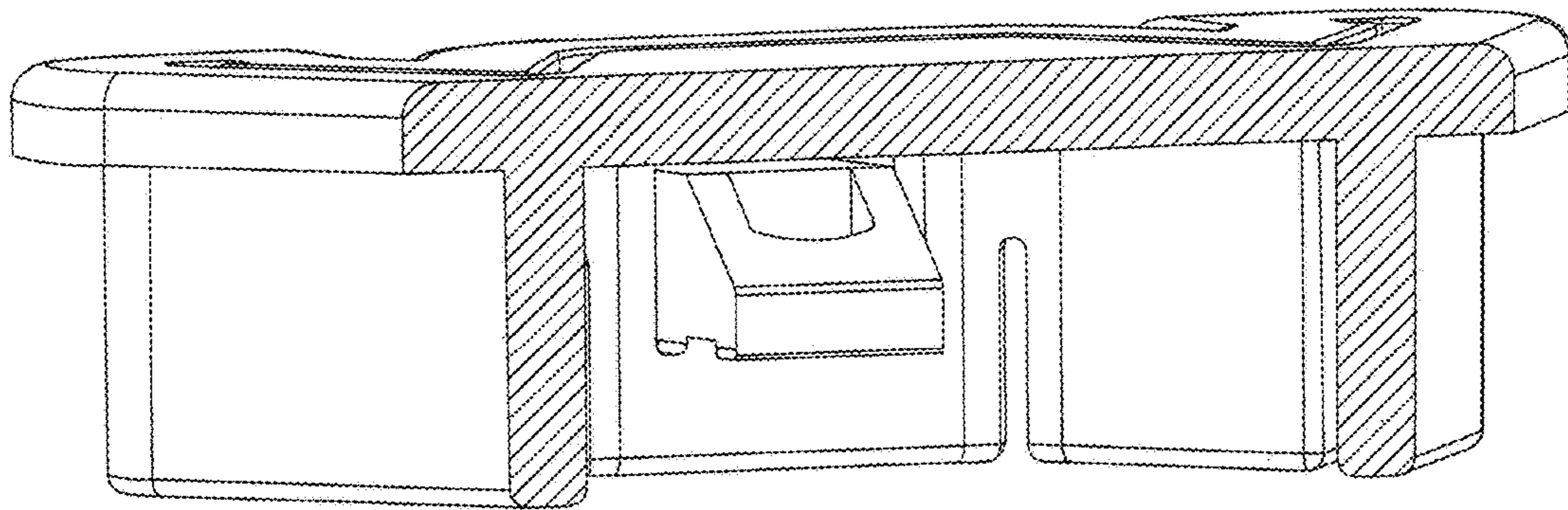


FIG. 3

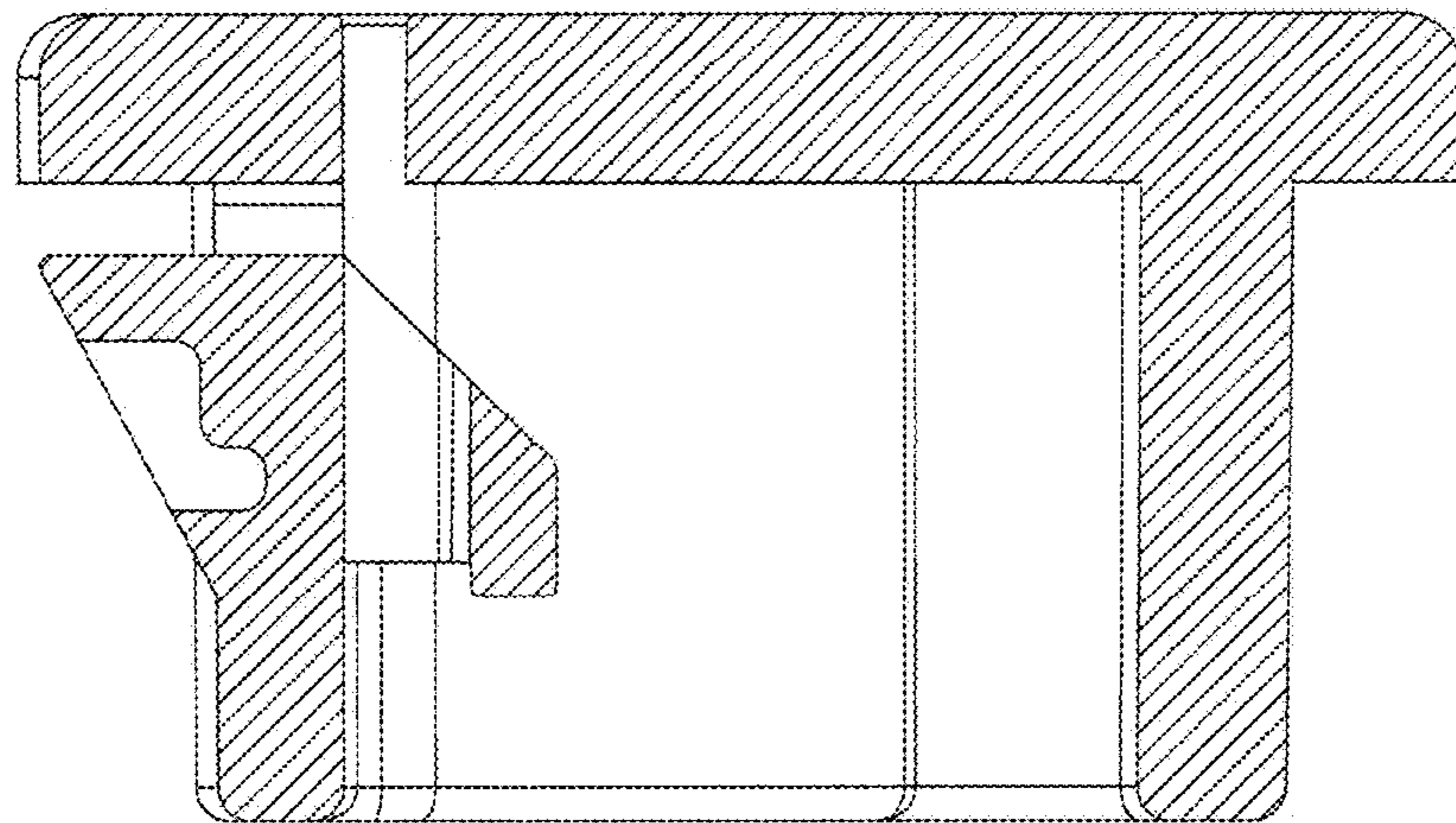


FIG. 4

FIG. 5

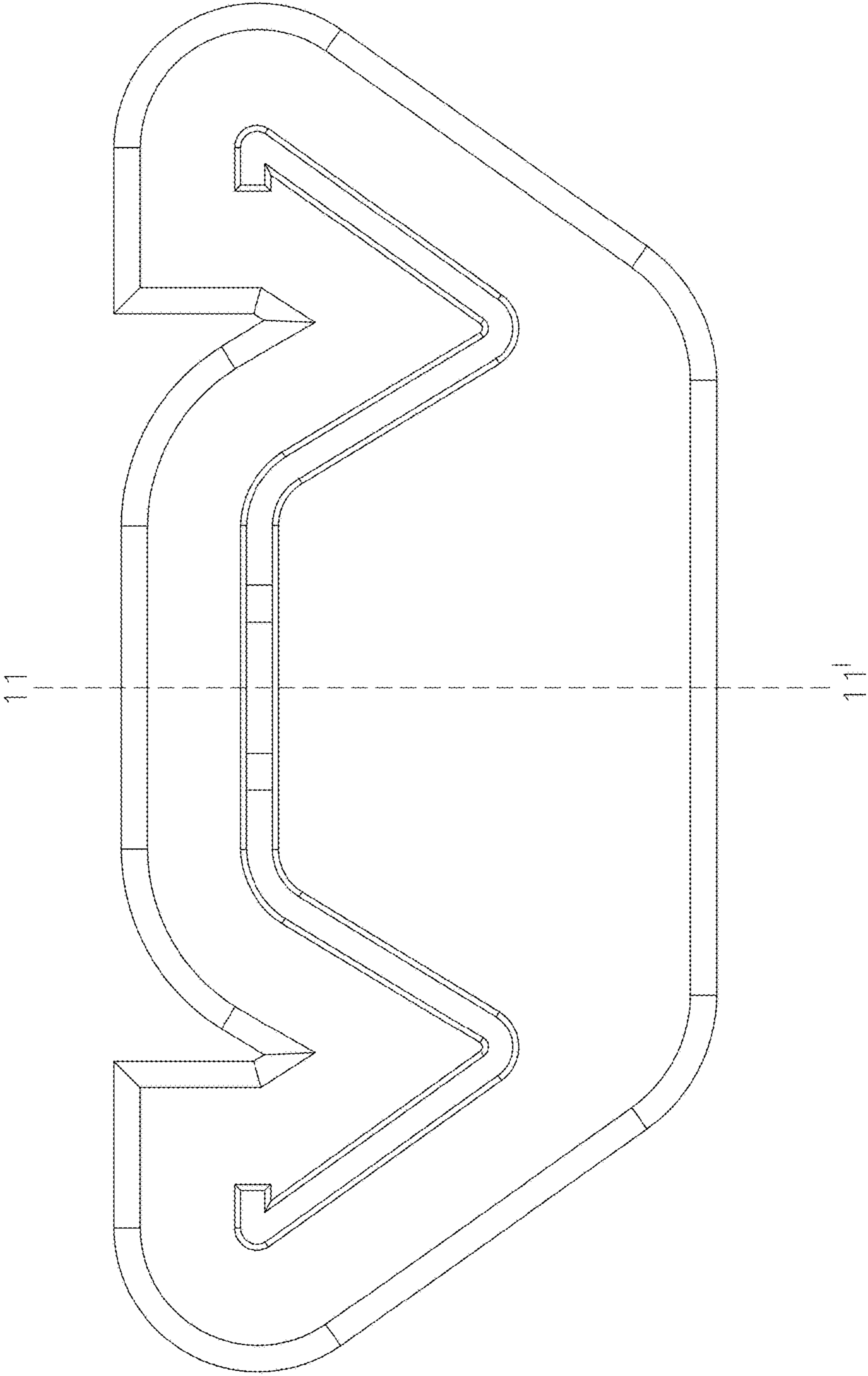


FIG. 6

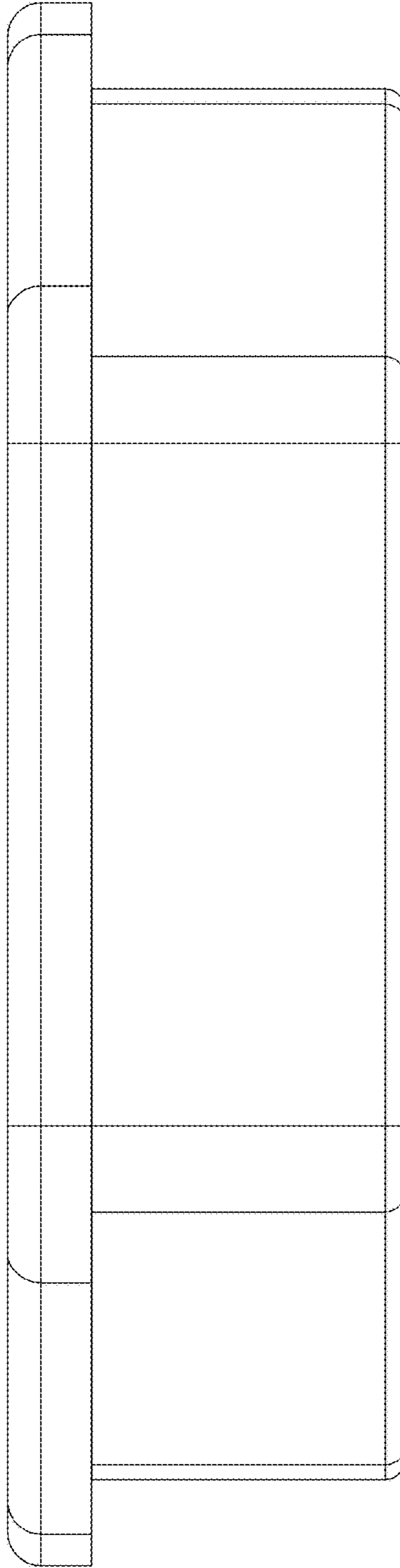


FIG. 7

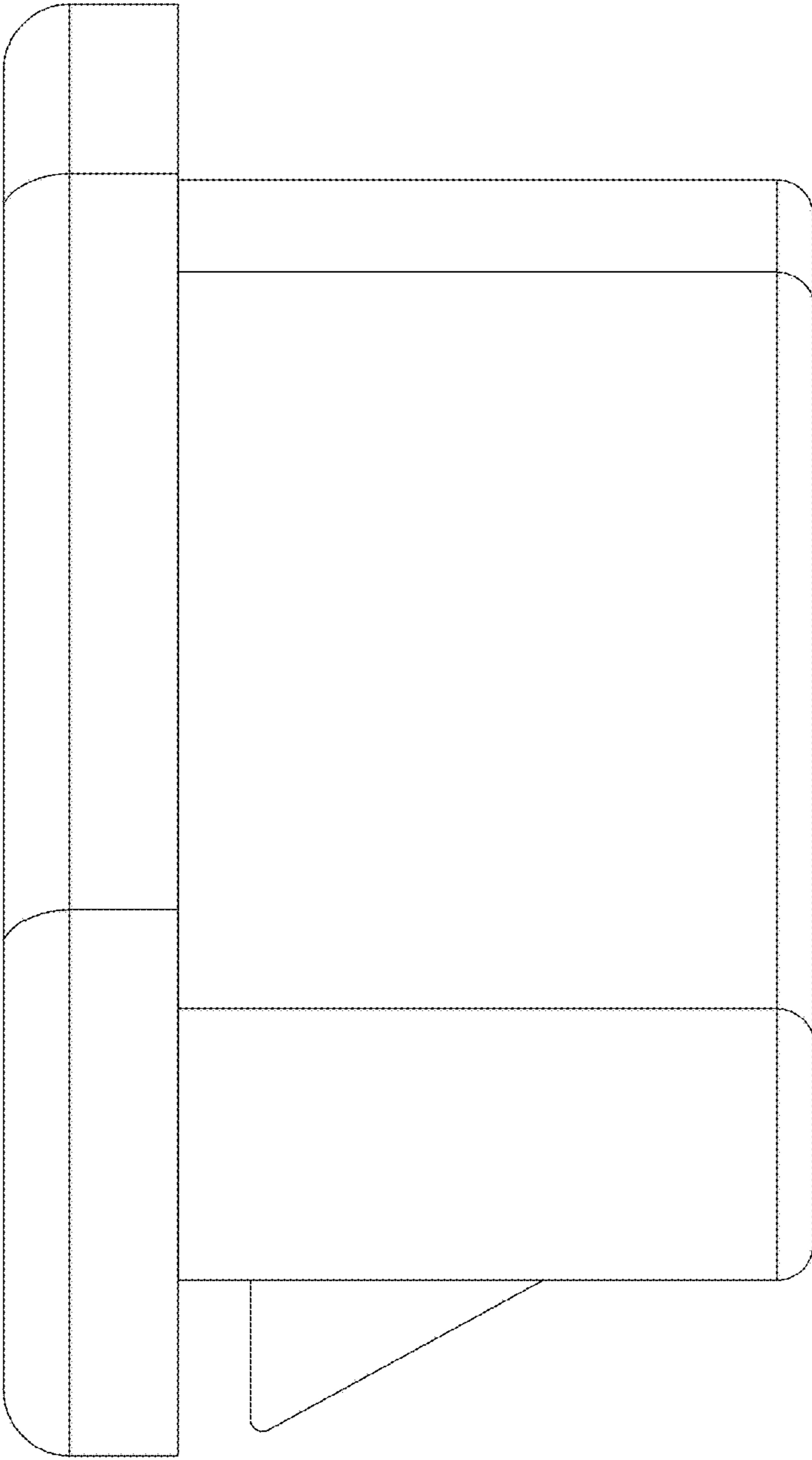


FIG. 8

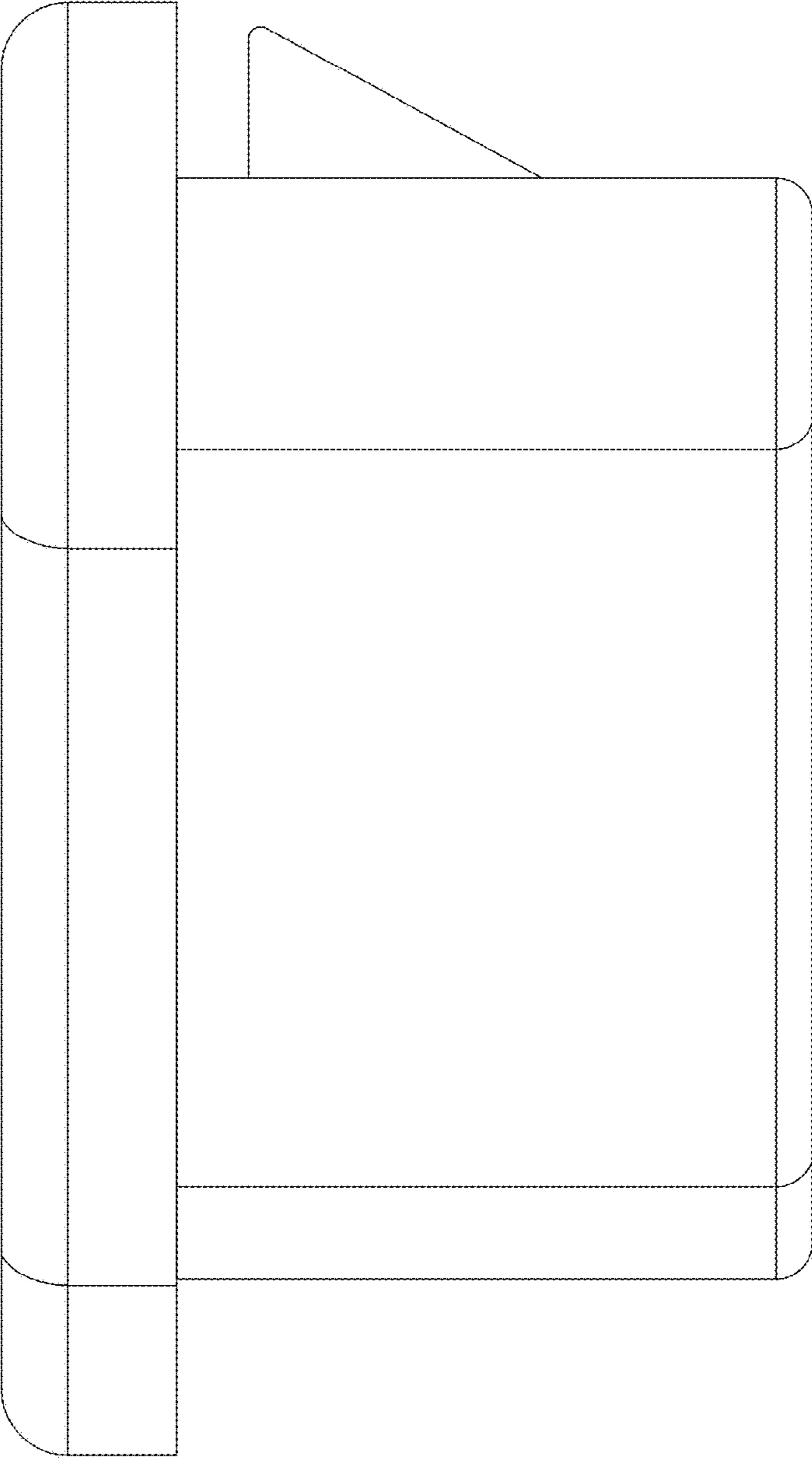


FIG. 9

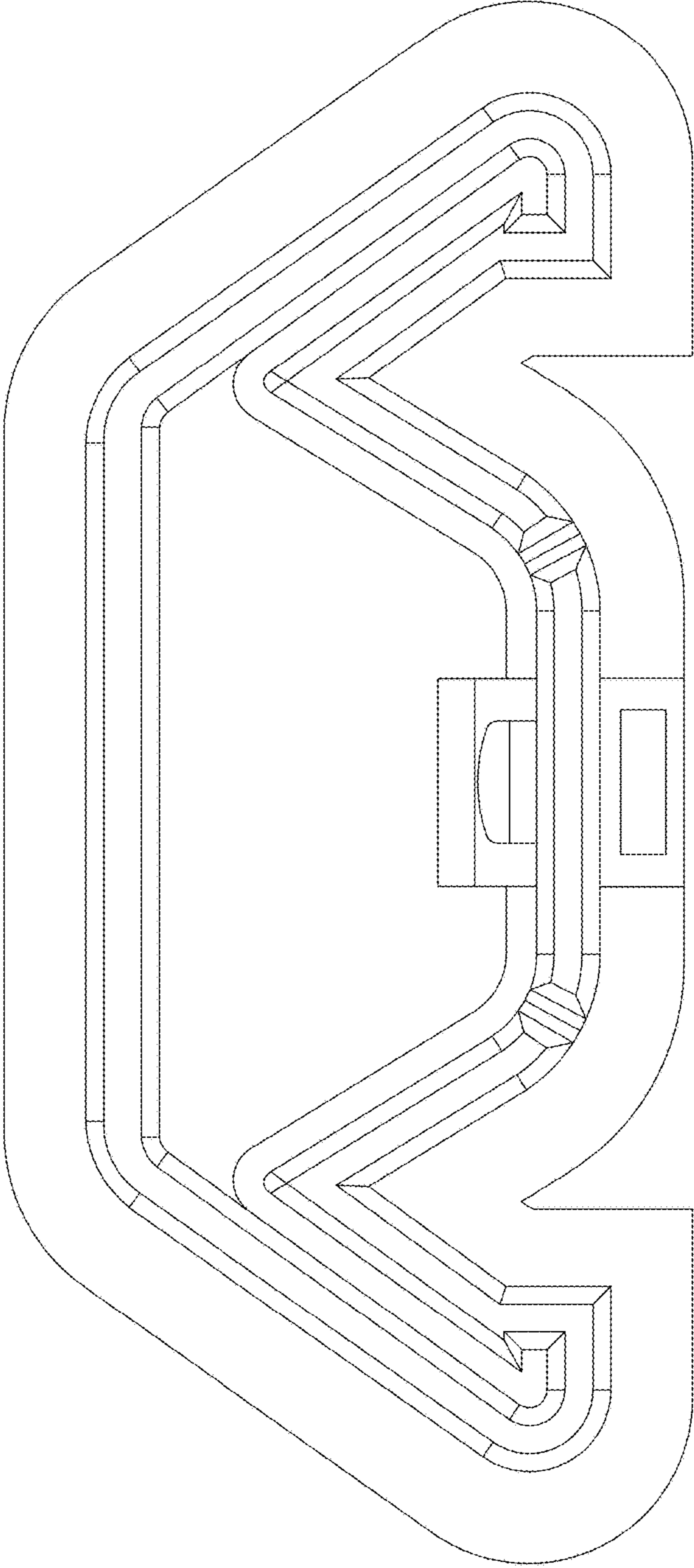




FIG. 10

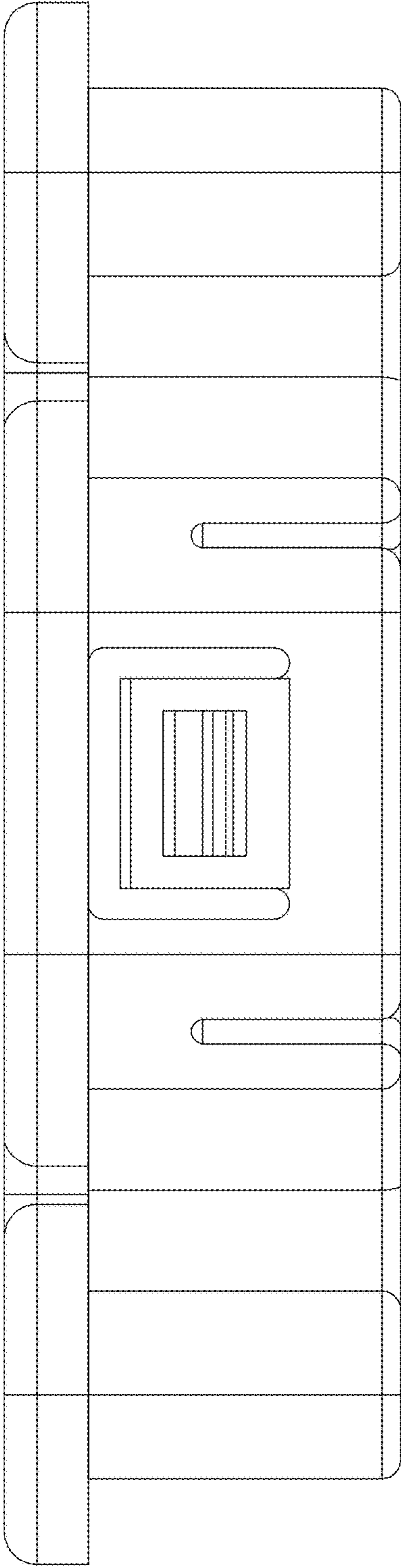


FIG. 11

