



US00D856788S

(12) **United States Design Patent** (10) **Patent No.:** **US D856,788 S**  
**Morey** (45) **Date of Patent:** **\*\* Aug. 20, 2019**

(54) **EDGING SPIKE FOR LAWN AND PAVERS**

(71) Applicant: **Dimex, LLC**, Marietta, OH (US)

(72) Inventor: **Kevin R. Morey**, Marietta, OH (US)

(73) Assignee: **Dimex, LLC**, Marietta, OH (US)

(\*\*) Term: **15 Years**

(21) Appl. No.: **29/676,305**

(22) Filed: **Jan. 10, 2019**

**Related U.S. Application Data**

(63) Continuation-in-part of application No. 29/599,212, filed on Mar. 31, 2017, now Pat. No. Des. 843,201.

(51) **LOC (12) Cl.** ..... **08-08**

(52) **U.S. Cl.**

USPC ..... **D8/391**; D8/1

(58) **Field of Classification Search**

USPC ..... D8/1, 385, 387, 388, 391, 393

CPC ..... F16B 15/00; F16B 23/00; F16B 35/04;

F16B 35/041; F16B 25/0089; E01C

2201/00; E01C 2201/16; E01C 11/02;

E01C 2201/167; A01G 9/00; A01G

9/006; A01G 9/12; A01G 9/122; A01G

9/28; E02D 5/80; E02D 5/801; E04H

12/2215

See application file for complete search history.

(56) **References Cited**

**U.S. PATENT DOCUMENTS**

427,815 A \* 5/1890 Wolf ..... E04H 12/2215

52/165

2,716,148 A \* 8/1955 Kretzer ..... H01R 4/66

174/7

2,809,809 A 10/1957 Johnston

2,927,497 A \* 3/1960 Rapata ..... F16B 15/06

411/508

3,916,757 A \* 11/1975 Wilson ..... F16B 25/0031

408/224

3,957,383 A 5/1976 Fredericks

D241,413 S \* 9/1976 Drake ..... D8/393

3,987,698 A \* 10/1976 Rabe ..... F16B 15/06

411/455

D272,850 S \* 2/1984 Kulle ..... D24/112

4,508,319 A 4/1985 Tappan et al.

4,644,685 A 2/1987 Tisbo et al.

4,653,486 A \* 3/1987 Coker ..... A61B 17/68

606/65

4,831,776 A 5/1989 Fritch

4,846,655 A \* 7/1989 Gulley ..... F16B 15/06

411/453

(Continued)

**OTHER PUBLICATIONS**

Valley View Industries, Easy Diamond Ground Lawn Edging (EDGF-20), Brochure, 1 pg., pre-Mar. 2017.

PERMALOC, StructurEdge, Brochure, 1pg., pre-Mar. 2017.

*Primary Examiner* — Sandra S Snapp

*Assistant Examiner* — Ieisha N Price

(74) *Attorney, Agent, or Firm* — Wood Herron & Evans

LLP

(57)

**CLAIM**

The ornamental design for an edging spike for lawn and pavers, as shown and described.

**DESCRIPTION**

FIG. 1 is a bottom right perspective view of an edging spike for lawn and pavers according to this invention;

FIG. 2 is a top right perspective view thereof;

FIG. 3 is a front view thereof with the rear view being a mirror image thereof;

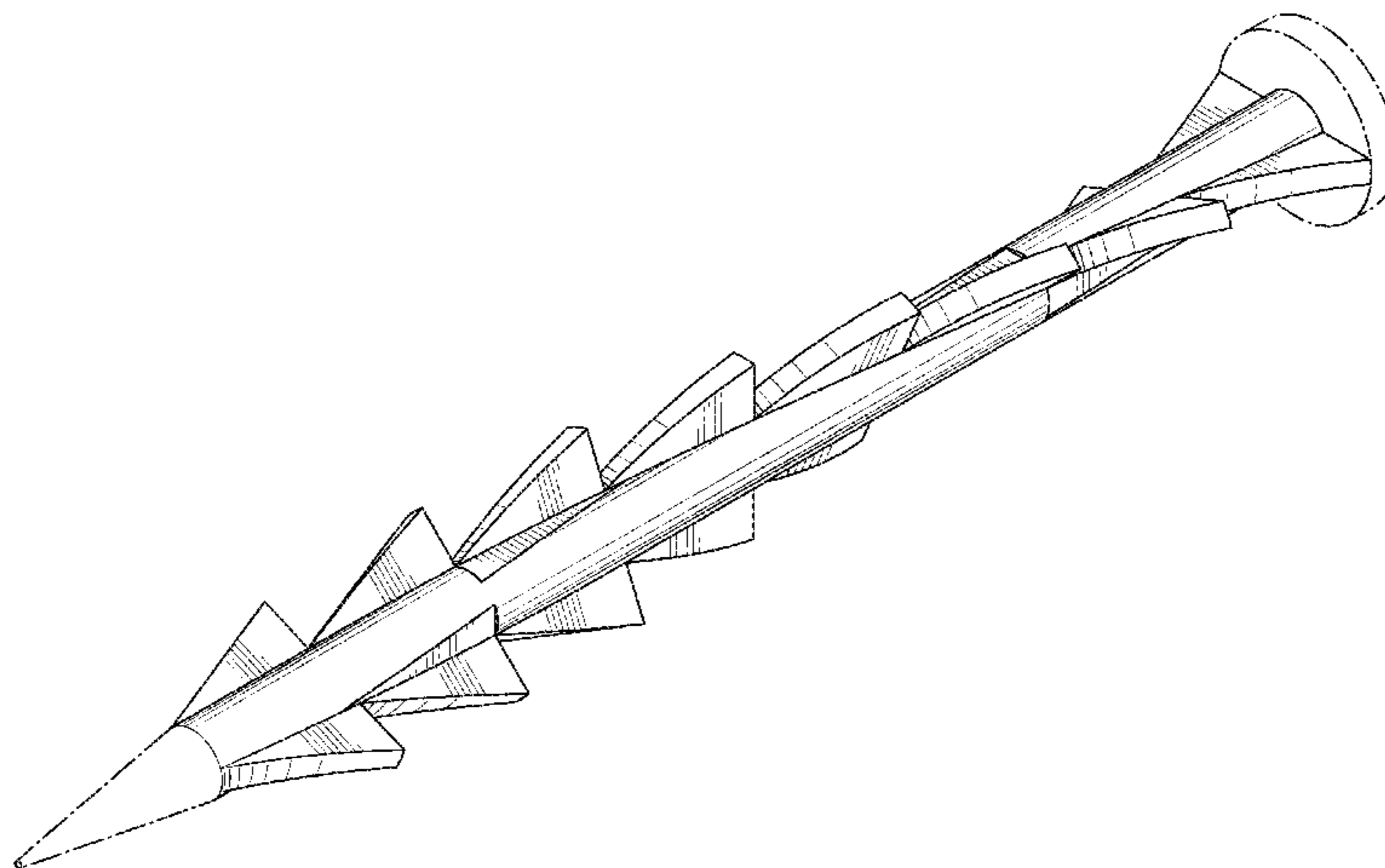
FIG. 4 is a right side view thereof with the left side being a mirror image thereof;

FIG. 5 is a top view thereof; and,

FIG. 6 is a bottom view thereof.

The broken lines in the drawings depict portions of the article that form no part of the claim.

**1 Claim, 4 Drawing Sheets**



(56)

References Cited

U.S. PATENT DOCUMENTS

4,863,307 A	9/1989	Jones		6,038,811 A	3/2000	Conway
4,873,976 A *	10/1989	Schreiber .....	A61B 17/064	6,085,458 A	7/2000	Gau
			606/213	6,324,783 B1	12/2001	McIntyre et al.
5,020,272 A	6/1991	Herrema et al.		6,379,078 B1	4/2002	Zwier
5,059,206 A *	10/1991	Winters .....	A61B 17/0469	D462,257 S *	9/2002	Alexander ..... D8/391
			606/213	D493,205 S *	7/2004	Combes ..... D21/840
5,073,061 A	12/1991	Jones		D503,842 S *	4/2005	Barnes ..... D99/18
D324,649 S *	3/1992	Lederhaus, Jr. ....	D8/391	7,434,360 B2	10/2008	Traub et al.
5,212,917 A	5/1993	Kurtz et al.		7,596,903 B1	10/2009	Flanagan
5,230,187 A	7/1993	Reimann		8,409,250 B2 *	4/2013	Schmieding ..... A61B 17/064
5,240,343 A	8/1993	Strobl, Jr.				606/232
5,301,461 A	4/1994	Zwier		8,464,464 B2	6/2013	Rosaen
5,315,780 A	5/1994	Thomas		D706,893 S *	6/2014	Diederich ..... D21/840
5,375,941 A	12/1994	Strobl, Jr.		8,753,042 B1	6/2014	Thompson et al.
5,421,118 A	6/1995	Bauer		D720,611 S *	1/2015	Hewitt ..... D8/388
5,640,801 A	6/1997	Rynberk		D780,882 S *	3/2017	Barker ..... D22/199
D400,079 S *	10/1998	Chase .....	D8/349	2013/0216329 A1 *	8/2013	Deutscher ..... E04D 3/3606
5,901,526 A	5/1999	Vidmar et al.				411/387.2
				2016/0186793 A1 *	6/2016	Walworth ..... B21K 1/46
						411/446
				2018/0298577 A1 *	10/2018	Morey ..... A01G 9/28

\* cited by examiner

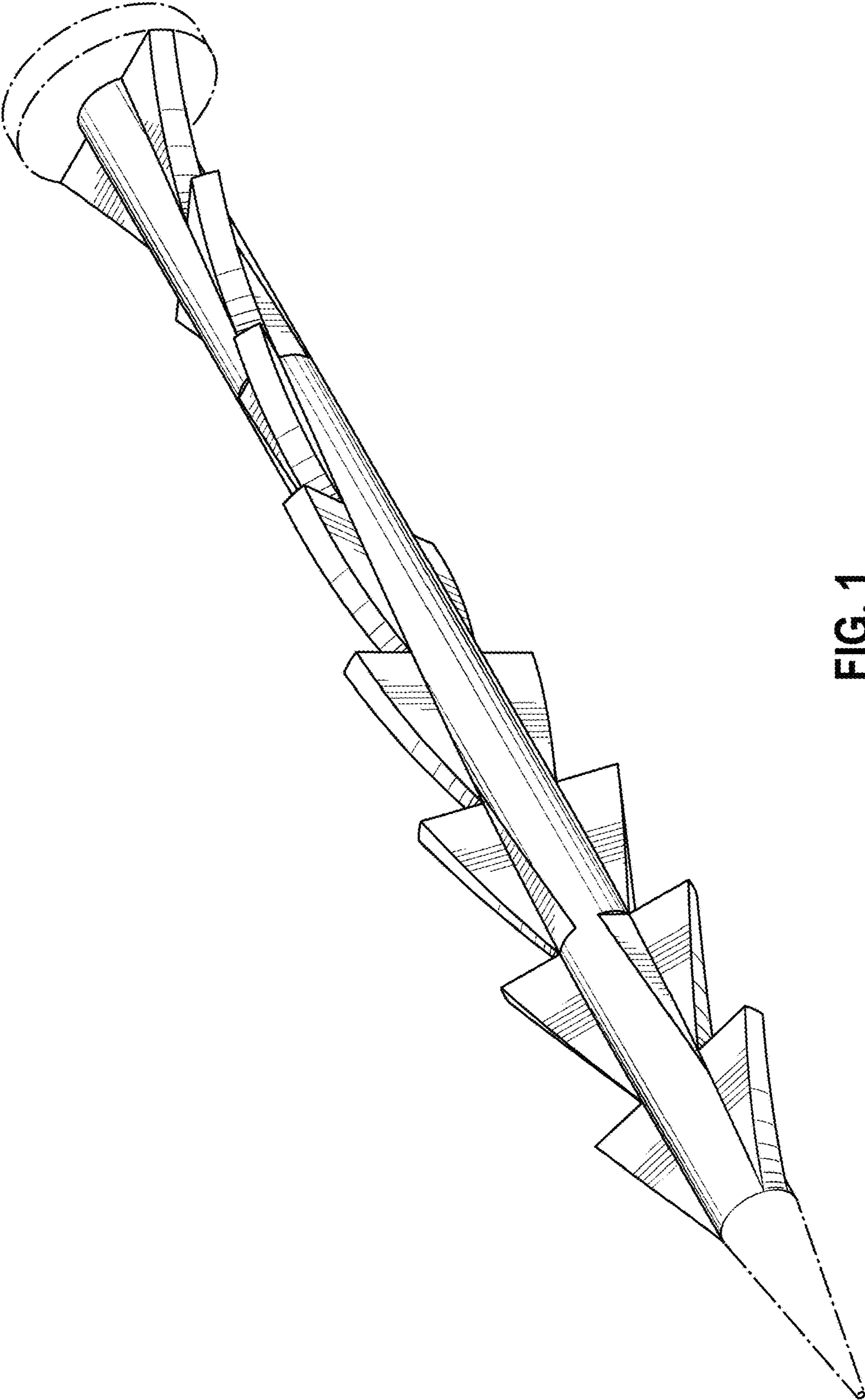


FIG. 1

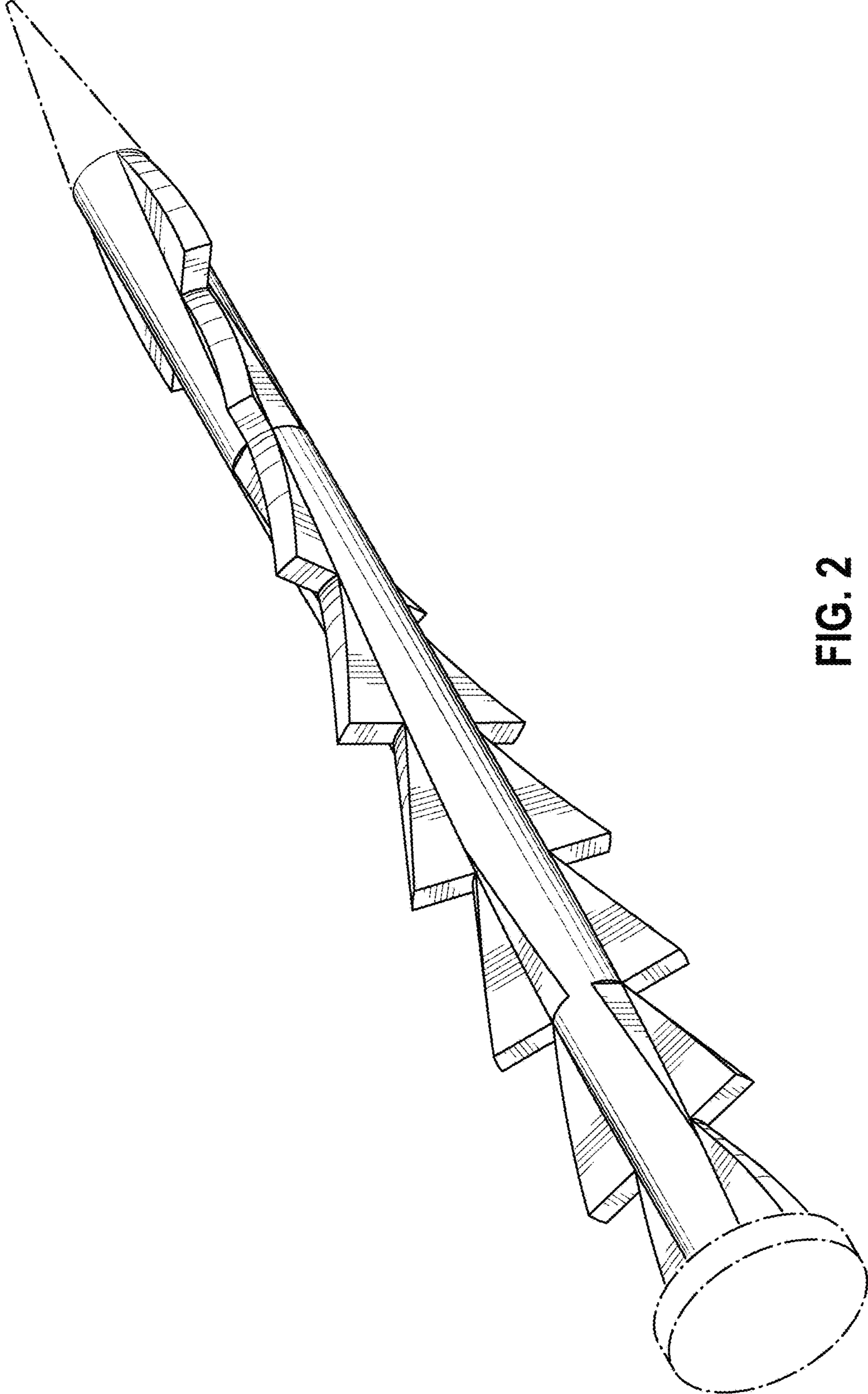


FIG. 2

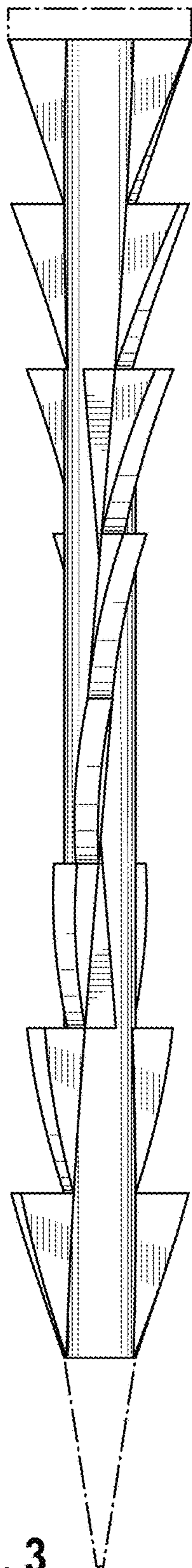


FIG. 3

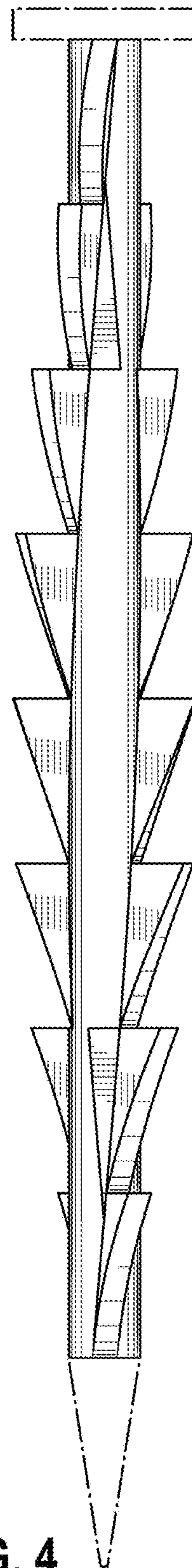
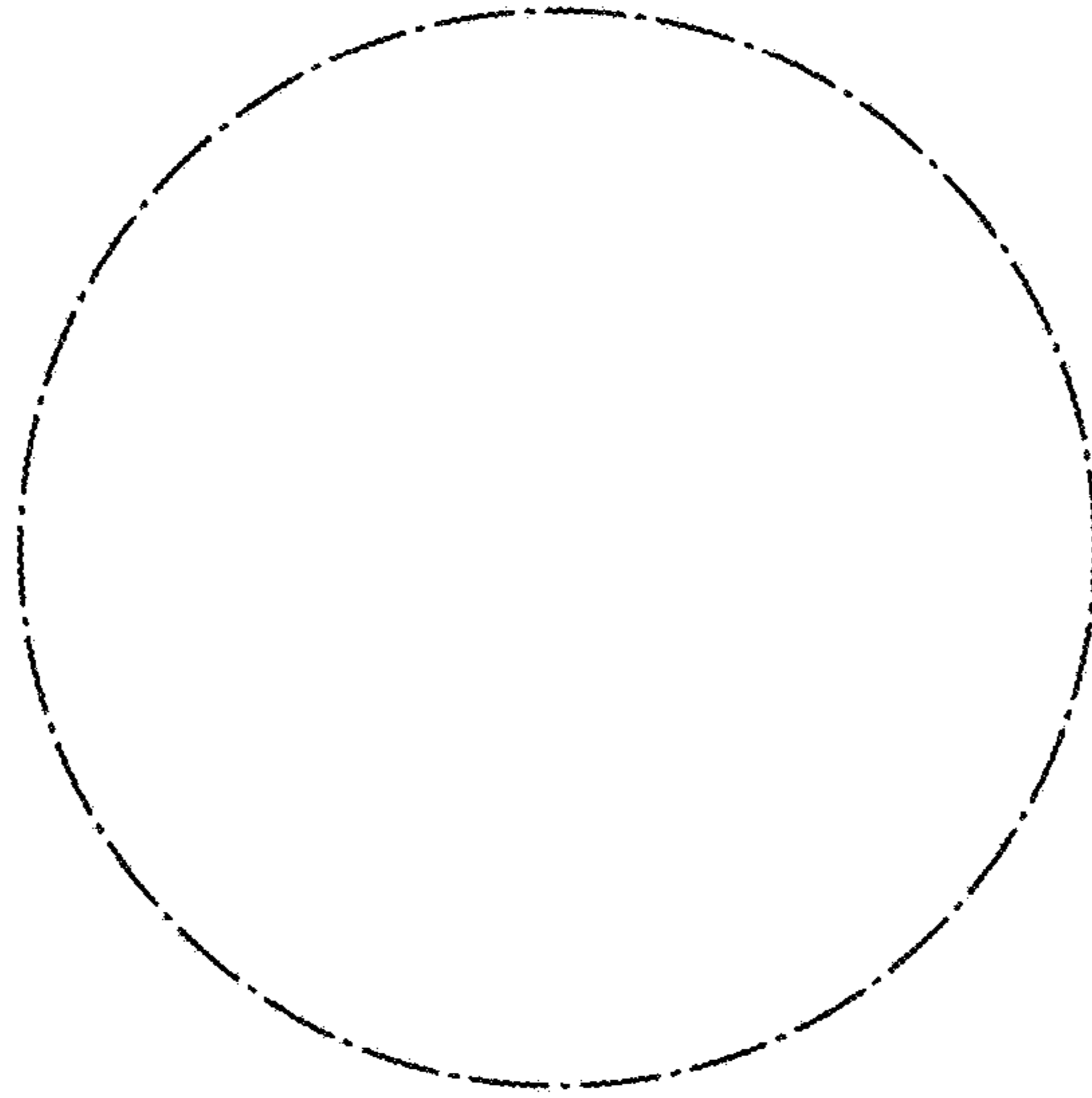
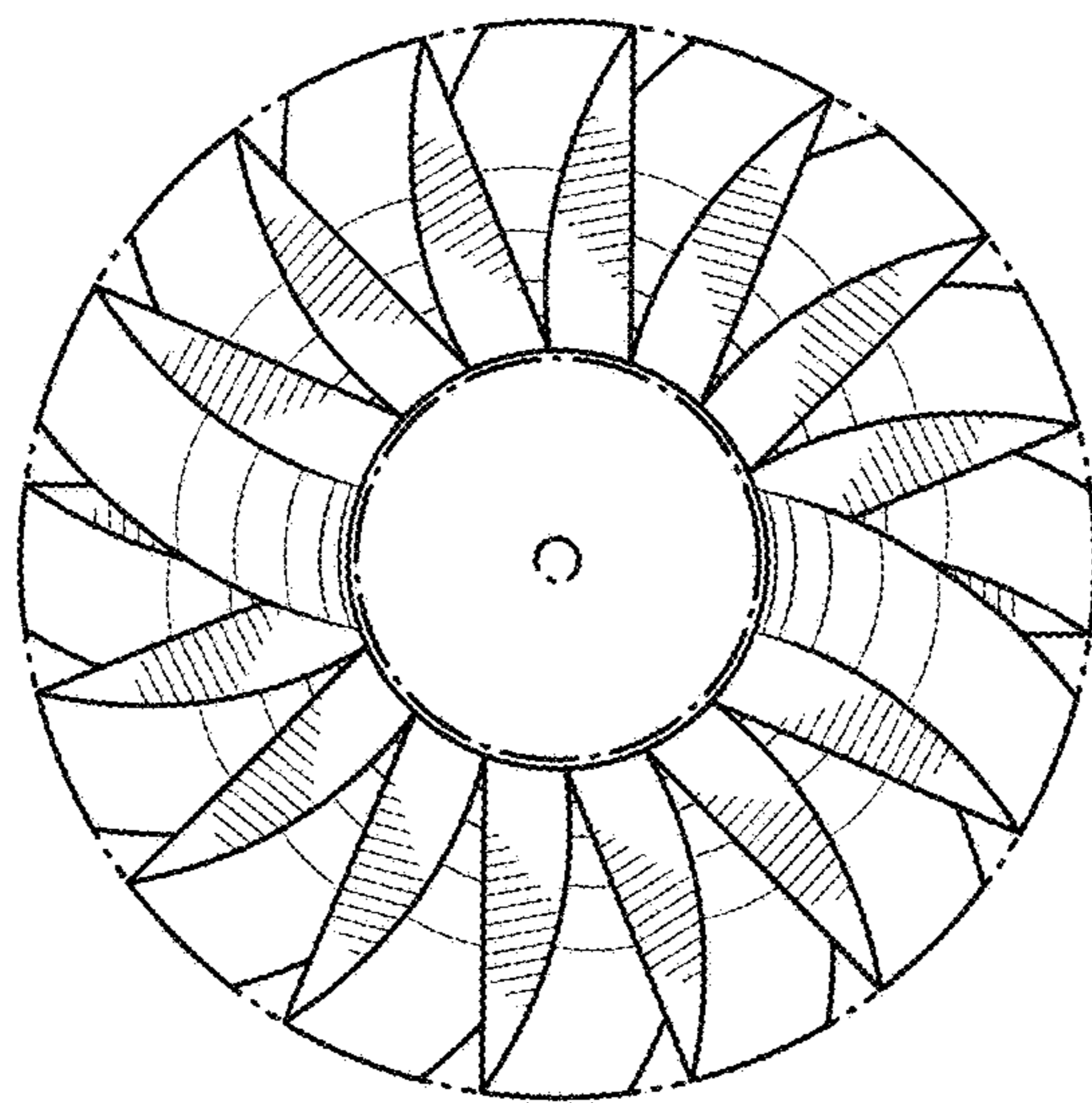


FIG. 4



**FIG. 5**



**FIG. 6**