



US00D856784S

(12) **United States Design Patent**
Zeilinger

(10) **Patent No.:** **US D856,784 S**

(45) **Date of Patent:** **** Aug. 20, 2019**

(54) **WALL BRIDGING AND DUAL ROOF SUPPORT CLIP FOR GINGERBREAD HOUSES AND BUILDINGS**

(71) Applicant: **BRAND CASTLE, LLC**, Bedford Heights, OH (US)

(72) Inventor: **James E Zeilinger**, Cleveland, OH (US)

(**) Term: **15 Years**

(21) Appl. No.: **29/651,381**

(22) Filed: **Jun. 28, 2018**

Related U.S. Application Data

(63) Continuation-in-part of application No. 15/914,727, filed on Mar. 7, 2018, and a continuation-in-part of application No. 29/651,012, filed on Oct. 20, 2017.

(60) Provisional application No. 62/707,074, filed on Oct. 20, 2017.

(51) **LOC (12) Cl.** **08-05**

(52) **U.S. Cl.**
USPC **D8/354**

(58) **Field of Classification Search**
USPC D8/499, 354, 382, 394-396; D1/129, D1/120, 199; D25/88, 98, 76
CPC A23P 10/10; A23G 3/56
See application file for complete search history.

(56) **References Cited**

U.S. PATENT DOCUMENTS

4,246,736 A	1/1981	Kovar et al.	E04C 3/02 52/696
D267,775 S *	2/1983	Holcombe	D8/354
D272,886 S *	3/1984	Holcombe	D8/354
4,466,223 A *	8/1984	Palacio	E04B 1/2612 52/404.5
4,570,407 A	2/1986	Palacio et al.	E04C 3/02 52/693

4,625,415 A	12/1986	Diamontis	G01B 3/30 33/180
D297,112 S *	8/1988	Holdaway	D8/373
D304,421 S *	11/1989	Holdaway	D8/37
4,916,877 A	4/1990	Platt	E04B 5/52 52/317
D318,785 S *	8/1991	Dean	52/696
5,697,725 A	12/1997	Ballash et al.	E04B 1/38 403/231
D463,575 S *	9/2002	Daudet	D25/61
D631,740 S *	2/2011	Wood	D8/396
D702,533 S *	4/2014	Noturno	E04G 21/1891 D8/354
9,587,427 B2 *	3/2017	Webb	E06B 9/02
2002/0092259 A1 *	7/2002	Crawford	E04B 7/022 52/696

(Continued)

Primary Examiner — Janice Hallmark

Assistant Examiner — Harold E Blackwell, II

(74) *Attorney, Agent, or Firm* — David A. Burge

(57) **CLAIM**

I claim the ornamental design for a wall bridging and dual roof support clip for gingerbread houses and buildings, as shown and described.

DESCRIPTION

FIG. 1 is a top, front and right end perspective view showing my new design, it being understood that the design has completely identical end configurations;

FIG. 2 is a right end view thereof depicted on an enlarged scale, it being understood that a left end view is identical hereto;

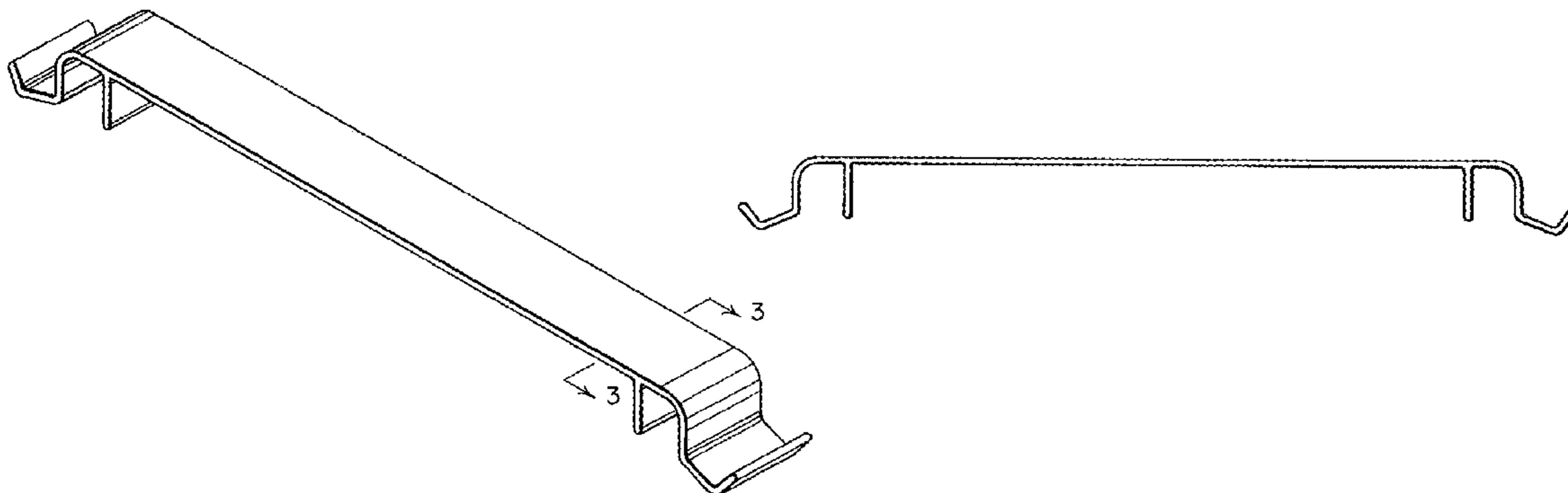
FIG. 3 is a sectional view showing one of the two completely identical end configurations on the same enlarged scale as FIG. 2, as viewed from a plane indicated by a line 3-3;

FIG. 4 is a front view thereof;

FIG. 5 is a top view thereof; and,

FIG. 6 is a bottom view thereof.

1 Claim, 1 Drawing Sheet



(56)

References Cited

U.S. PATENT DOCUMENTS

2019/0116809 A1* 4/2019 Zeilinger A21D 13/47
2019/0116861 A1* 4/2019 Zeilinger A23P 10/10

* cited by examiner

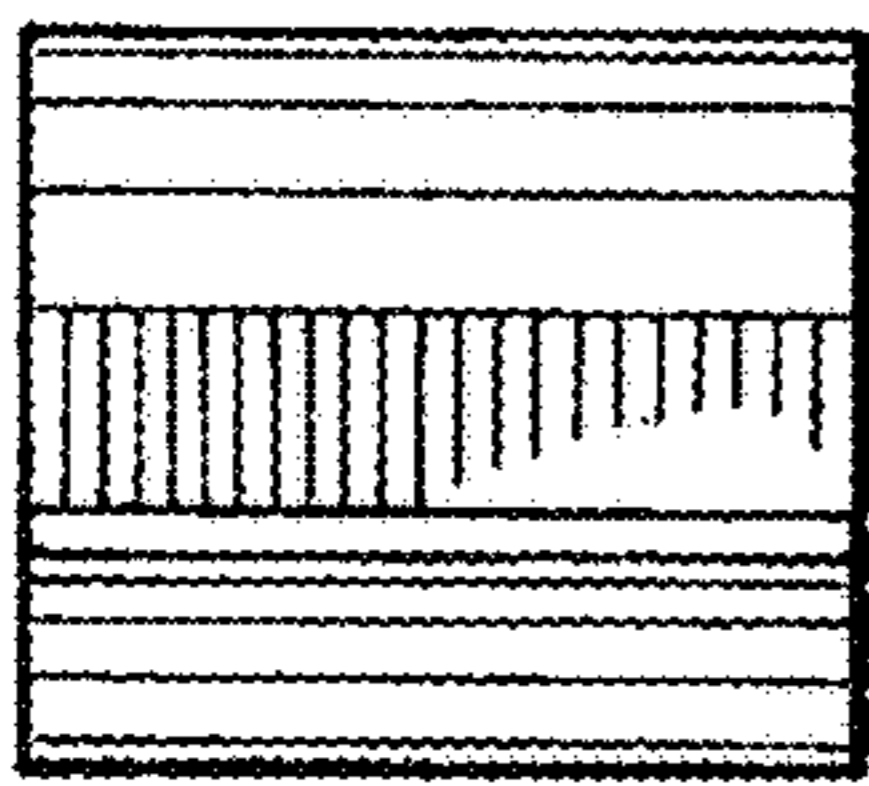
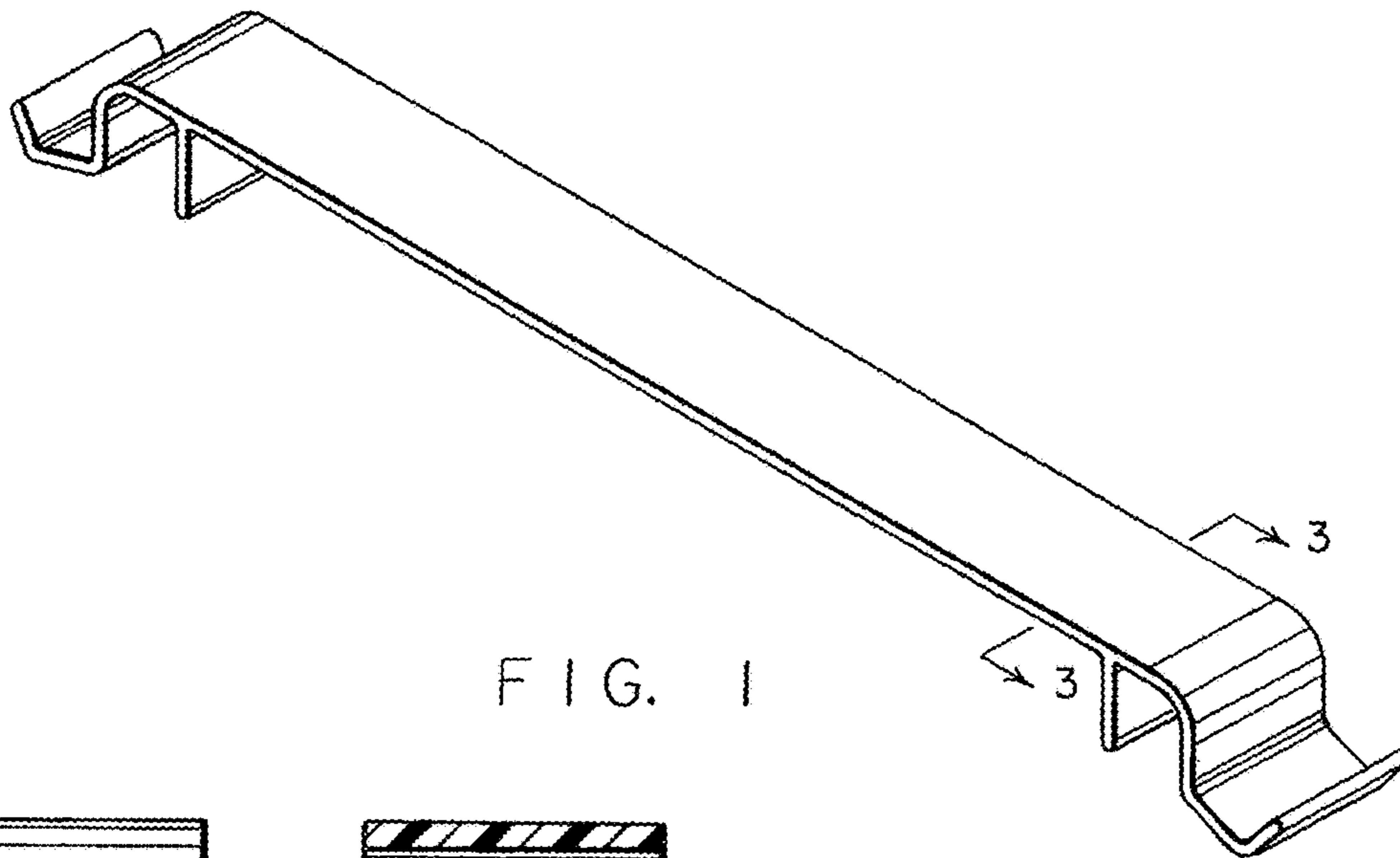


FIG. 2

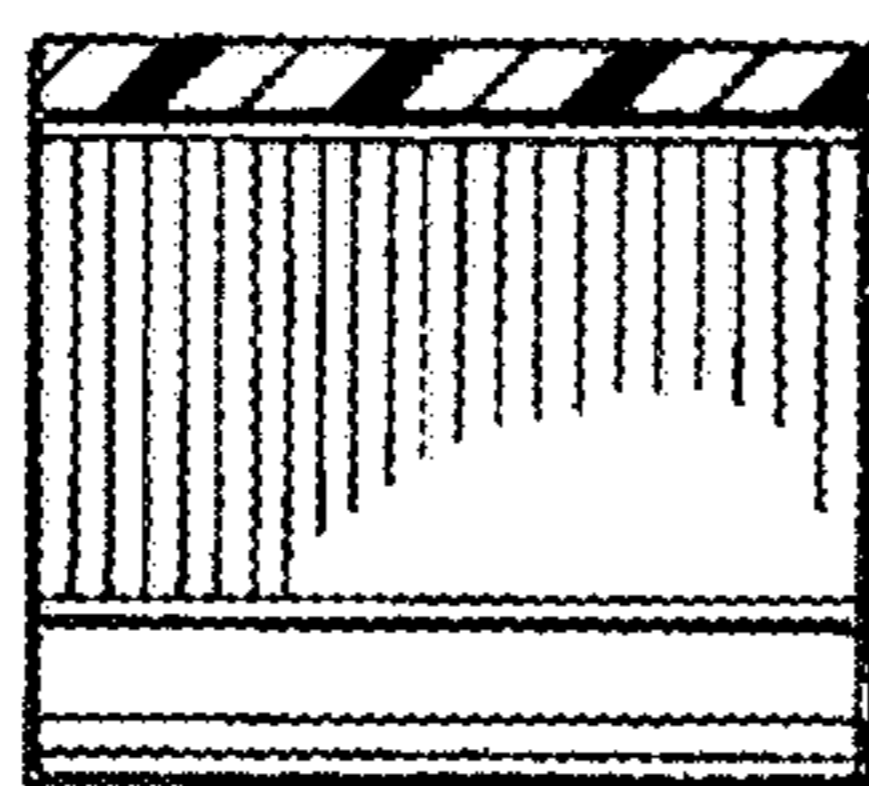


FIG. 3



FIG. 4



FIG. 5



FIG. 6