



US00D856781S

(12) **United States Design Patent** (10) **Patent No.:** **US D856,781 S**
Hendry (45) **Date of Patent:** **** Aug. 20, 2019**

(54) **CORNER BRACKET FOR A SCREEN ENCLOSURE ASSEMBLY**

3,304,108 A 2/1967 Hamilton et al.
3,354,891 A 11/1967 Brown
3,386,590 A 6/1968 Gretz

(Continued)

(71) Applicant: **Thomas G. Hendry**, Lehigh Acres, FL (US)

FOREIGN PATENT DOCUMENTS

(72) Inventor: **Thomas G. Hendry**, Lehigh Acres, FL (US)

CH 452154 5/1968
CN 303693360 6/2016

(Continued)

(**) Term: **15 Years**

OTHER PUBLICATIONS

(21) Appl. No.: **29/637,975**

Screened Wall Systems <http://www.screen-house.com/screenroom_three_season_walls.htm> Jul. 18, 2017/ (Year: 2017).

(22) Filed: **Feb. 23, 2018**

(Continued)

(51) **LOC (12) Cl.** **08-05**

(52) **U.S. Cl.**

USPC **D8/354**

(58) **Field of Classification Search**

USPC D8/349, 354, 382, 383, 384, 403;
D25/113, 114, 119, 120-125, 131, 136,
D25/199; D21/484, 486, 500, 501, 839,
D21/468, 471, 478, 479; D3/10
CPC E04F 13/12; E04F 13/0889; E04H 1/00;
E04H 15/34; E04H 15/646; E04B
1/34326; E04B 2001/5856; E04B
2001/5875; Y10T 403/349; Y10T
403/341; Y10T 403/347; Y10S 135/909

See application file for complete search history.

Primary Examiner — Janice Hallmark

Assistant Examiner — Harold E Blackwell, II

(74) *Attorney, Agent, or Firm* — Hanrahan Law Firm, P.A.; Benjamin M. Hanrahan

(57) **CLAIM**

The ornamental design for a corner bracket for a screen enclosure assembly, as shown and described.

DESCRIPTION

FIG. 1 is a perspective view illustrating my design for a corner bracket for a screen enclosure assembly.

FIG. 2 is a right side view thereof.

FIG. 3 is a left side view thereof.

FIG. 4 is a front view thereof.

FIG. 5 is a rear view thereof.

FIG. 6 is a top view thereof.

FIG. 7 is a bottom view thereof; and,

FIG. 8 is another perspective view with environmental subject matter.

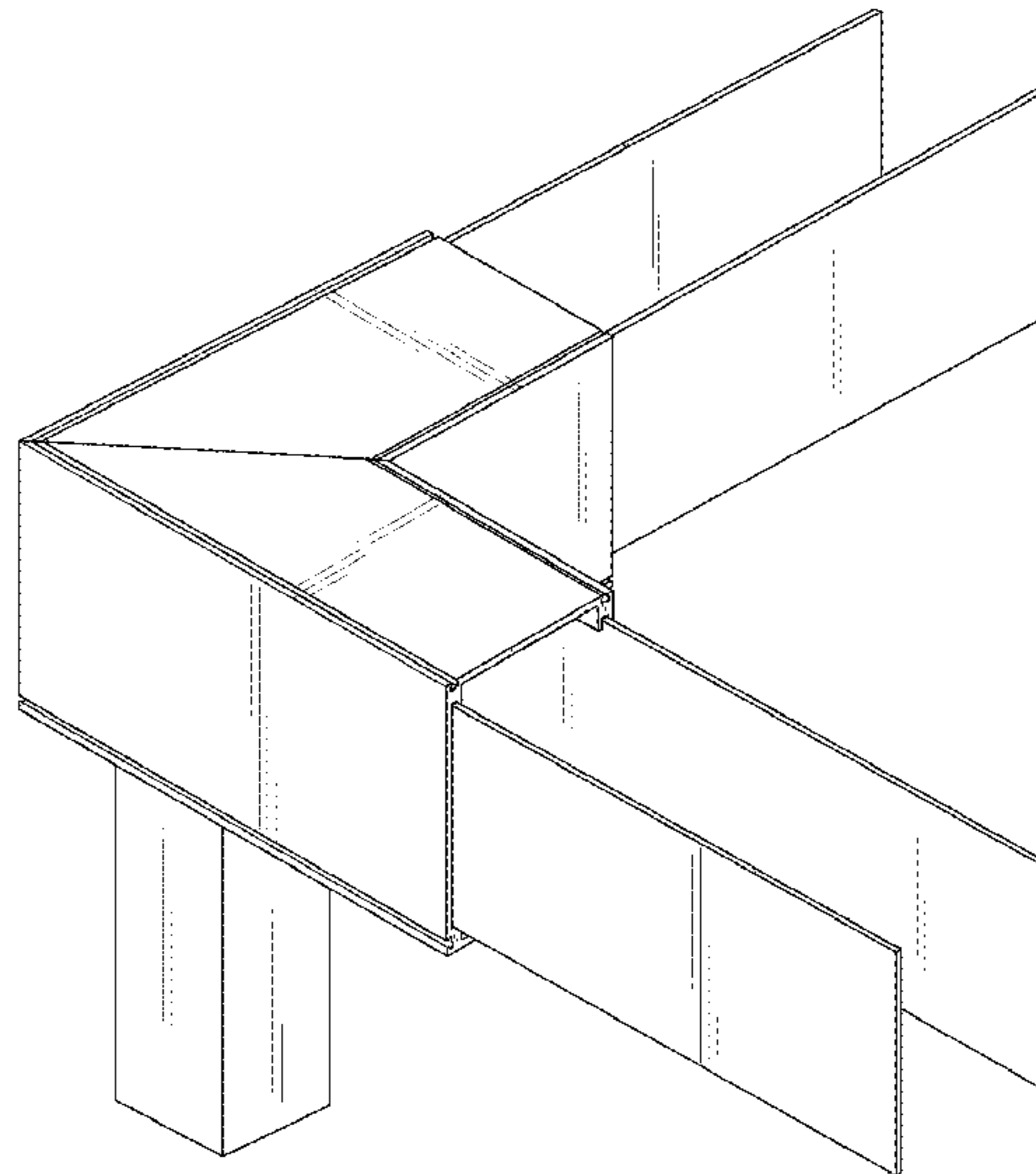
The broken lines illustrated in FIG. 8 represent environmental subject matter that forms no part of the claimed design.

(56) **References Cited**

U.S. PATENT DOCUMENTS

742,549 A 10/1903 Zeh et al.
1,430,809 A 10/1922 Ilseng
2,101,349 A 12/1937 Sharp
2,632,535 A 3/1953 Edouard
2,776,735 A 1/1957 Bancroft
2,918,153 A 12/1959 Hammitt et al.
3,222,841 A 12/1965 Lipof
3,246,433 A 4/1966 Erikson
3,255,769 A 6/1966 Lloyd

1 Claim, 6 Drawing Sheets



(56)

References Cited

U.S. PATENT DOCUMENTS

3,532,369 A 10/1970 Reilly
 3,561,801 A 2/1971 Chiu
 3,620,558 A 11/1971 MacMillan
 3,645,569 A * 2/1972 Reilly A47B 47/0008
 403/4
 3,656,515 A 4/1972 Wogerbauer et al.
 3,666,298 A 5/1972 Reilly
 3,726,551 A * 4/1973 Levenberg A47B 47/00
 403/172
 3,786,612 A 1/1974 Baker
 3,867,045 A 2/1975 Beals
 3,922,101 A 11/1975 Salmon, Jr. et al.
 3,955,702 A 5/1976 Lundy
 4,076,432 A 2/1978 Glaser
 4,159,758 A 7/1979 Courson
 4,315,386 A 2/1982 Clarke
 4,570,406 A 2/1986 DiFazio
 4,570,408 A 2/1986 Frascaroli et al.
 4,718,184 A 1/1988 Sherman
 4,718,213 A 1/1988 Butterfield
 4,785,591 A 11/1988 Dahlen
 4,831,804 A 5/1989 Sayer
 4,841,688 A 6/1989 Rinaldi
 4,960,343 A 10/1990 Reilly
 5,079,860 A 1/1992 Nugent
 5,144,780 A 9/1992 Gieling et al.
 5,156,484 A 10/1992 Allen
 5,203,135 A 4/1993 Bastian
 5,383,723 A 1/1995 Meyer
 5,485,705 A 1/1996 Guillemet
 5,556,218 A * 9/1996 Homer E04B 1/5831
 403/170
 D376,855 S 12/1996 Leung
 5,605,410 A 2/1997 Pantev
 5,864,997 A 2/1999 Kelly
 5,904,437 A 5/1999 Allen
 6,062,761 A 5/2000 Allen
 6,067,760 A 5/2000 Nowell
 6,279,288 B1 8/2001 Keil
 6,279,289 B1 8/2001 Soder et al.
 6,338,226 B1 1/2002 Gauthier et al.
 6,339,891 B1 1/2002 Cox
 D454,962 S 3/2002 Grace
 6,601,362 B1 8/2003 Prince
 6,668,495 B1 12/2003 Prince
 6,755,004 B1 6/2004 Power et al.
 6,826,885 B2 12/2004 Raskin et al.
 7,004,667 B2 2/2006 Ludwig et al.
 7,080,492 B1 7/2006 Guiller
 7,155,874 B2 1/2007 Lee
 7,223,044 B2 5/2007 Quintile
 7,568,323 B2 8/2009 Shelton et al.
 D600,831 S 9/2009 Munakata et al.
 D603,065 S 10/2009 Hamilton et al.
 7,628,563 B2 12/2009 Winkler
 7,677,003 B2 3/2010 Baughn et al.
 D616,114 S 5/2010 Harder
 7,832,180 B2 11/2010 Dolby
 8,151,533 B2 * 4/2012 Krieger E04B 2/7453
 52/235
 D666,743 S 9/2012 Teffenhart, Jr.

8,585,313 B2 11/2013 Wojotowicz et al.
 8,672,280 B2 3/2014 Suci et al.
 8,756,900 B1 6/2014 Hudson et al.
 D733,645 S * 7/2015 Cai D13/102
 9,091,119 B2 7/2015 Kim
 D739,960 S 9/2015 Britton
 9,422,711 B1 8/2016 Hendry
 D775,741 S 1/2017 Kashiwagi
 9,605,425 B1 * 3/2017 Hendry E06B 9/52
 D783,390 S * 4/2017 Nelson D8/349
 D784,060 S 4/2017 Davidsen
 D787,094 S 5/2017 Britton
 D790,730 S 6/2017 Prado Perez
 D815,758 S 4/2018 Hendry
 D818,293 S 5/2018 Muller
 D823,666 S * 7/2018 Macdonald D8/349
 D823,667 S * 7/2018 Macdonald D8/349
 D823,668 S * 7/2018 Macdonald D8/349
 D823,669 S * 7/2018 Macdonald D8/349
 D823,670 S * 7/2018 Macdonald D8/349
 D826,692 S * 8/2018 Macdonald D8/349
 D827,414 S * 9/2018 Macdonald D8/349
 D827,416 S * 9/2018 Macdonald D8/349
 10,066,384 B1 9/2018 Hendry
 D830,545 S 10/2018 Loughren et al.
 D834,396 S * 11/2018 Macdonald D8/349
 D834,920 S * 12/2018 Macdonald D8/349
 D835,301 S 12/2018 Lee
 D839,075 S * 1/2019 Macdonald D8/349
 2004/0035082 A1 2/2004 Hudoba et al.
 2005/0193680 A1 9/2005 Wang
 2006/0115324 A1 6/2006 Zenda et al.
 2007/0074480 A1 4/2007 Kleila et al.
 2007/0180786 A1 8/2007 Sotuyo
 2007/0266671 A1 11/2007 Chromy
 2008/0016816 A1 1/2008 Kim
 2008/0190068 A1 8/2008 Tapscott et al.
 2013/0272777 A1 10/2013 Hayter et al.
 2014/0250821 A1 9/2014 Strickland et al.
 2014/0311076 A1 10/2014 Ishaque
 2015/0121788 A1 5/2015 Kim
 2016/0138261 A1 5/2016 Zhang et al.
 2017/0321446 A1 11/2017 Antinolfi
 2018/0094426 A1 4/2018 Winter

FOREIGN PATENT DOCUMENTS

DE 4112181 10/1992
 DE 202014103897 10/2014
 EP 1916349 4/2008
 EP 2988007 2/2016
 GB 1009846 11/1965
 WO 9421867 9/1994
 WO 0066896 11/2000
 WO 2012016297 2/2012

OTHER PUBLICATIONS

EZ Screen Room <<https://www.homedepot.com/p/EZ-Screen-Room-8-ft-x-2-in-x-2-in-Aluminum-White-Extrusion-with-Spline-Track-EZSR8PW/202453633>> Jun. 11, 2013 (Year: 2013).

* cited by examiner

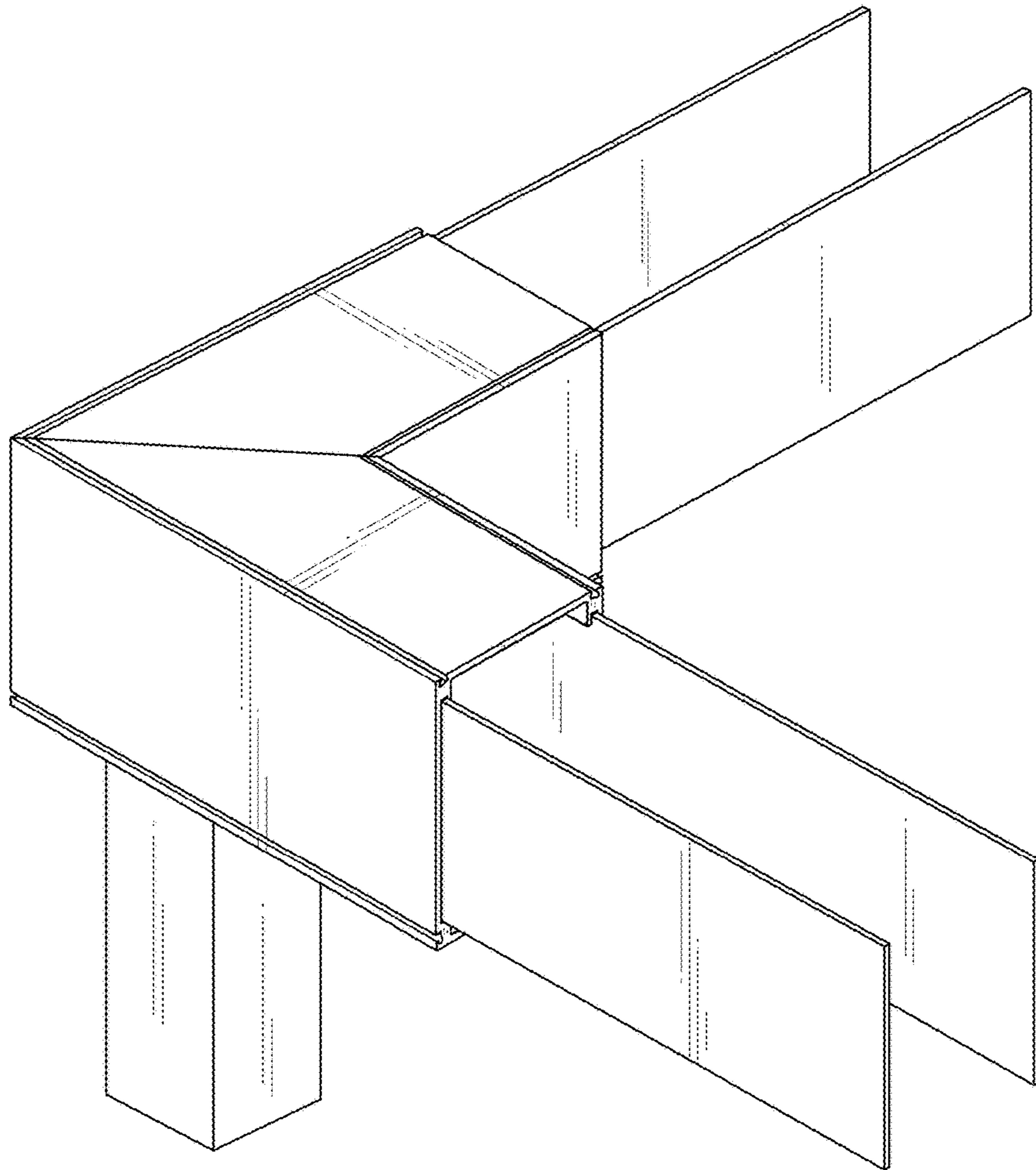


FIG. 1

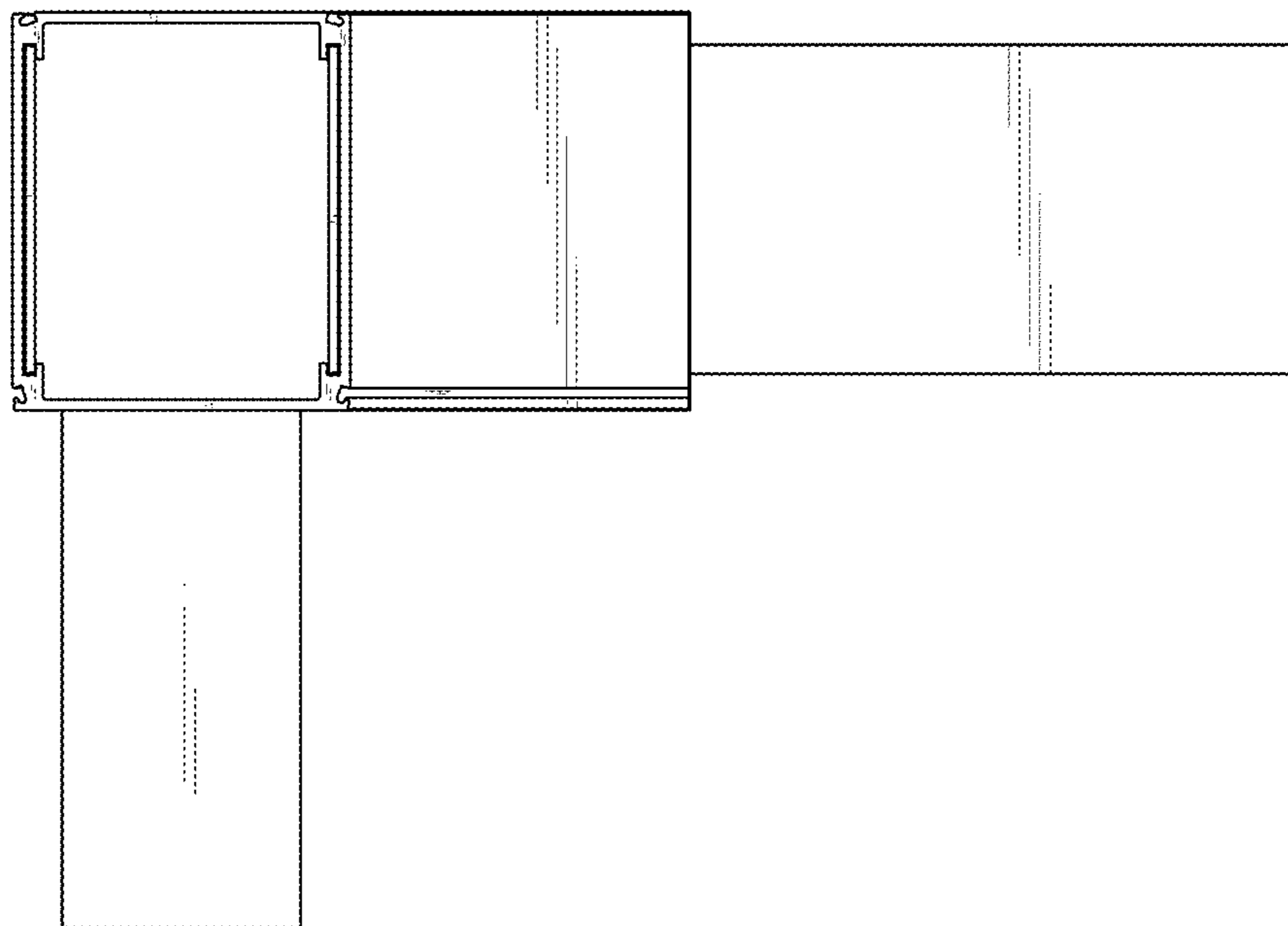


FIG. 2

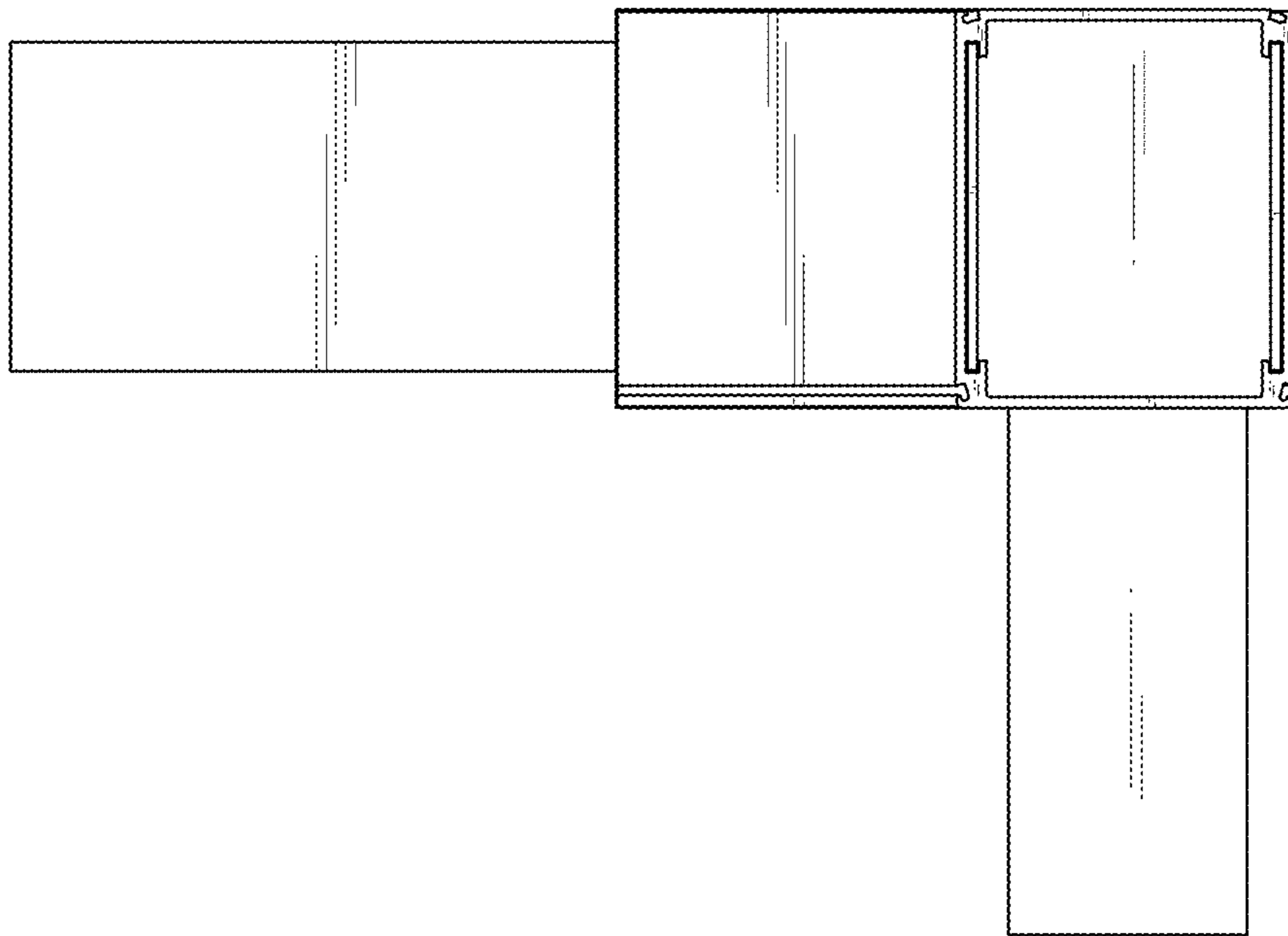


FIG. 3

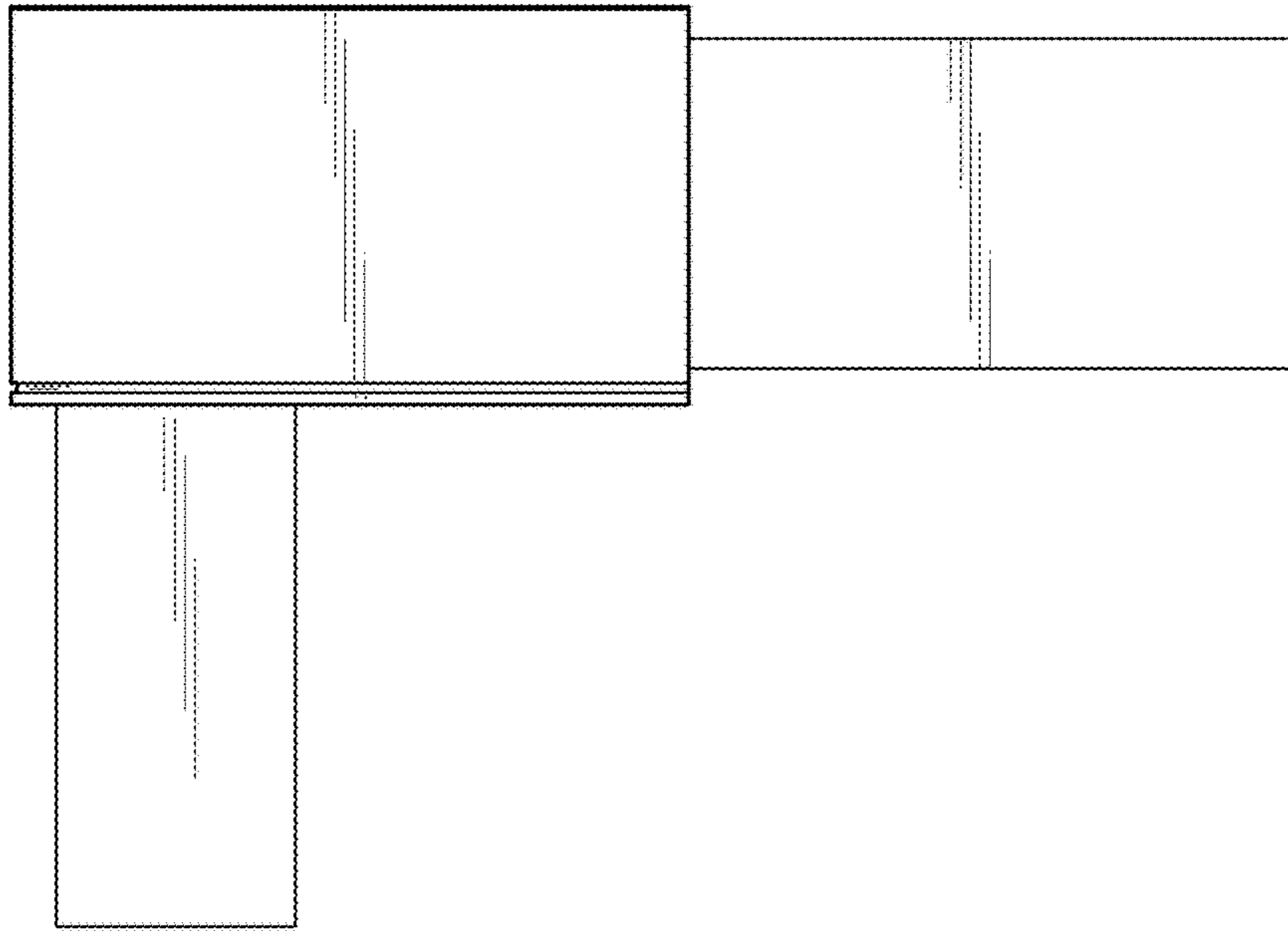


FIG. 4

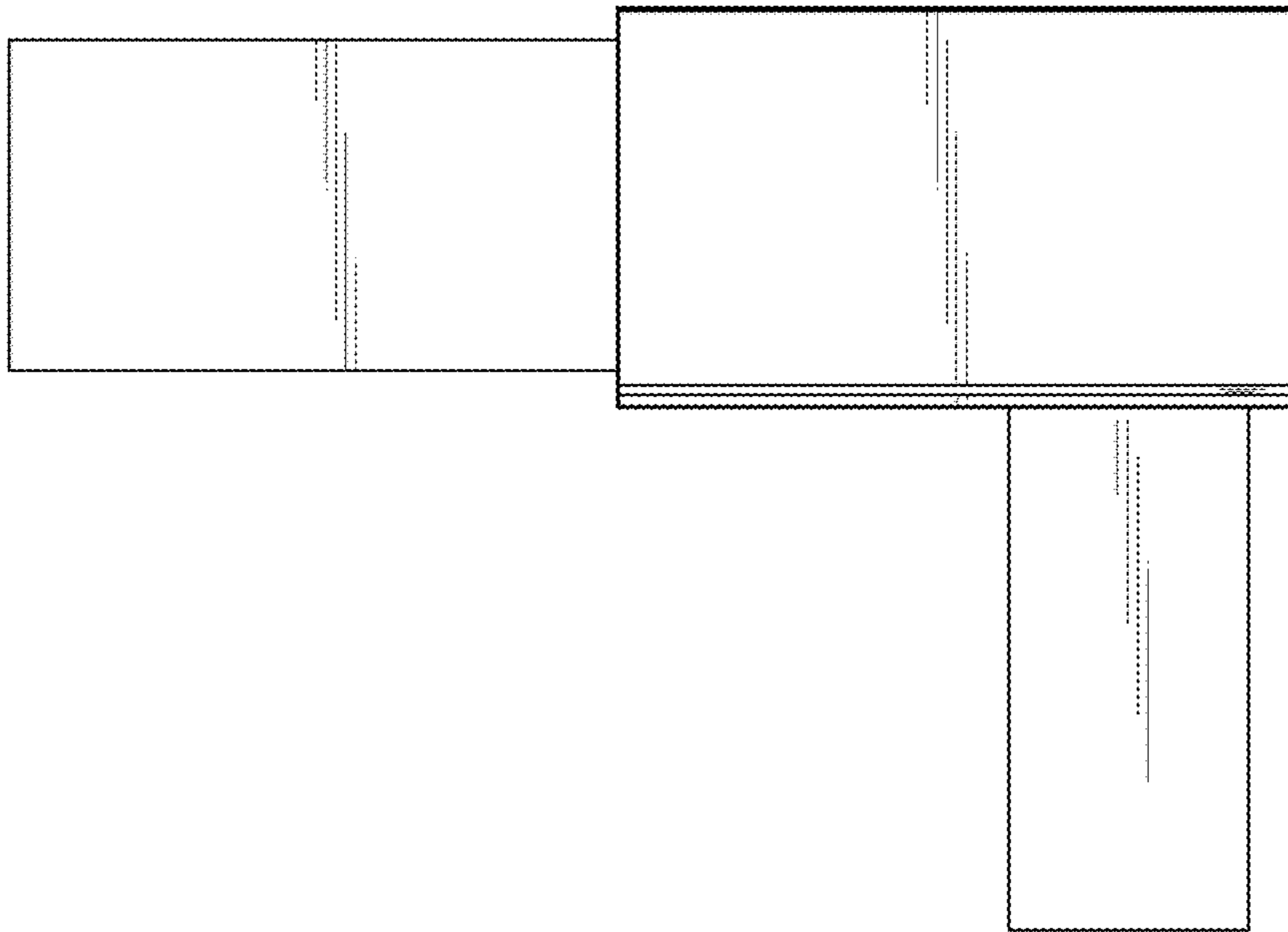


FIG. 5

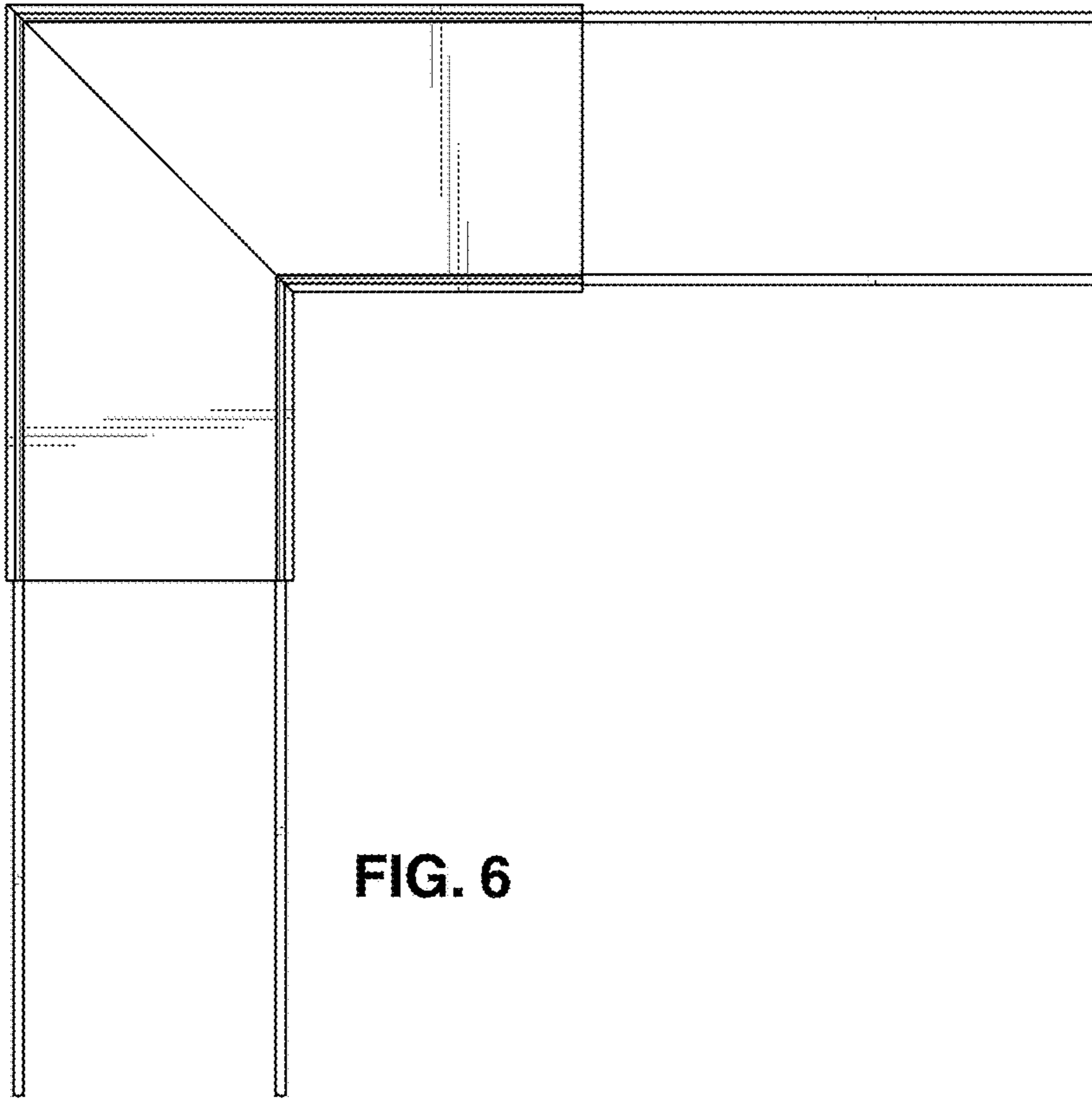


FIG. 6

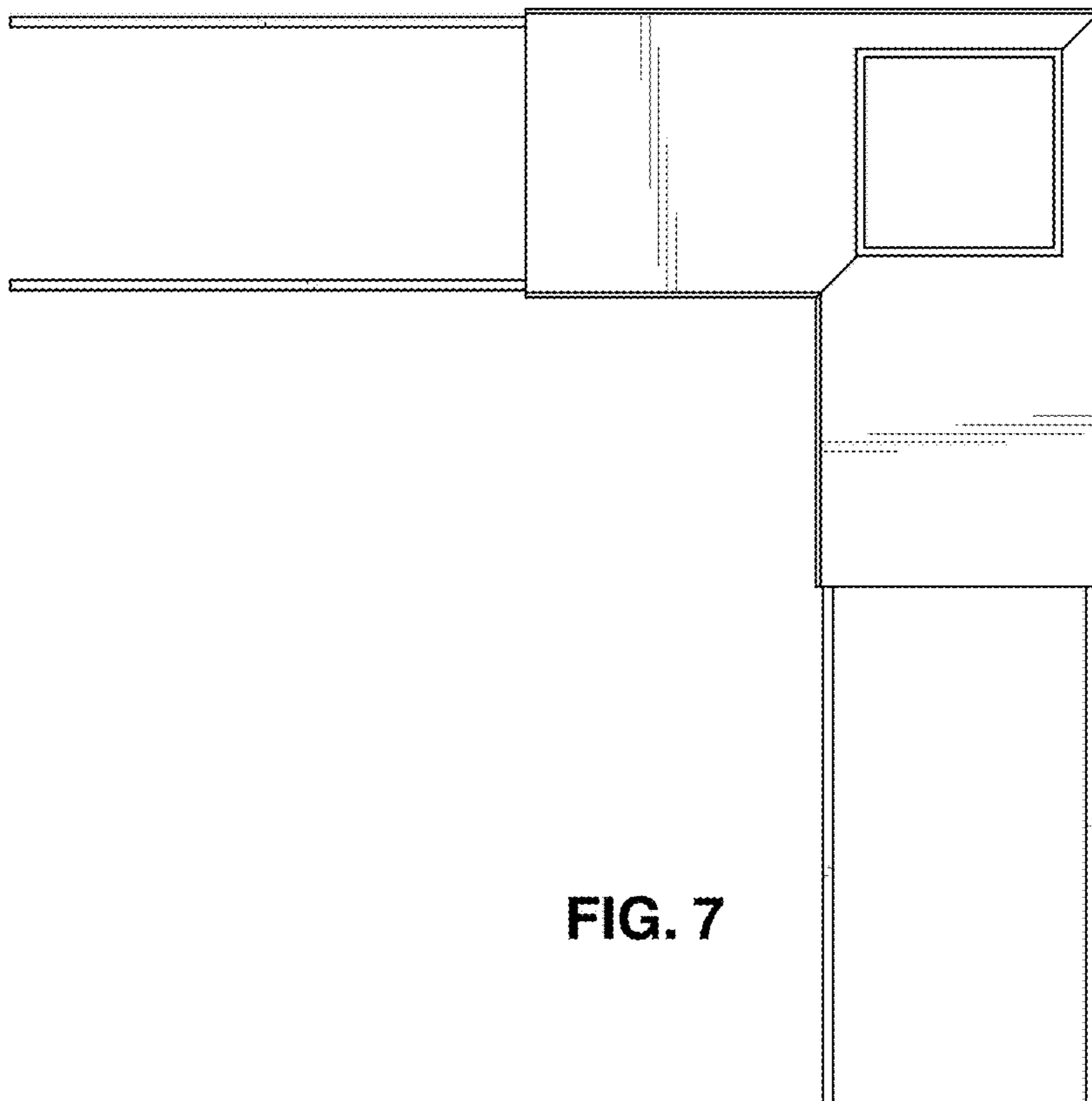


FIG. 7

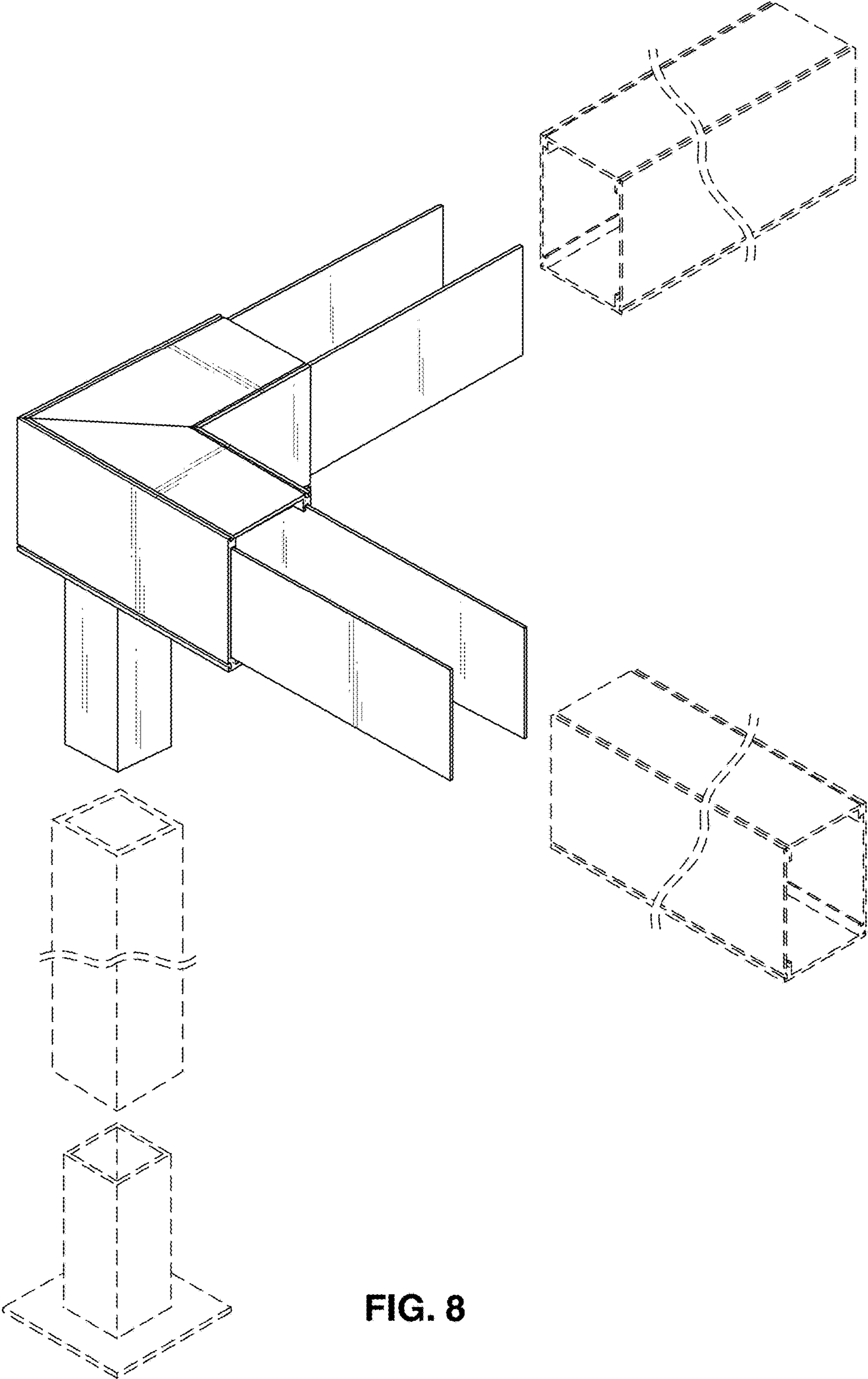


FIG. 8