



US00D856780S

(12) **United States Design Patent** (10) **Patent No.:** **US D856,780 S**
Harms et al. (45) **Date of Patent:** **** Aug. 20, 2019**

- (54) **UNIVERSAL BRACKET**
- (71) Applicant: **TRINITY INNOVATIVE SOLUTIONS, LLC**, Little Elm, TX (US)
- (72) Inventors: **Dwight David Harms**, Little Elm, TX (US); **Timothy Francis Hall**, Little Elm, TX (US)
- (73) Assignee: **TRINITY INNOVATIVE SOLUTIONS, LLC**, Little Elm, TX (US)
- (**) Term: **15 Years**
- (21) Appl. No.: **29/564,604**
- (22) Filed: **May 13, 2016**
- (51) **LOC (12) Cl.** **08-08**
- (52) **U.S. Cl.**
USPC **D8/349**
- (58) **Field of Classification Search**
USPC D8/363, 373, 354, 394, 349; D16/200, D16/204, 208, 213-219, 235, 237-250; D14/203, 209, 217, 224, 250-253, 345, D14/440
CPC G03B 17/02; G03B 17/04; G03B 17/14; G03B 21/20-2066; G03B 15/041-0436; G03B 17/56; F16M 11/32
See application file for complete search history.

(56) **References Cited**

U.S. PATENT DOCUMENTS

D148,736 S *	2/1948	Travis	248/206.3
5,016,850 A *	5/1991	Plahn	B60J 1/20 248/206.3
D331,005 S *	11/1992	Plahn	D8/355
5,246,193 A	9/1993	Faidley	
D386,215 S *	11/1997	White	D20/43

5,695,164 A	12/1997	Hartmann et al.	
5,911,395 A *	6/1999	Hussaini	B60R 11/00 248/206.3
D523,477 S *	6/2006	Cetera	D19/65
D534,939 S *	1/2007	Sheehan	D16/208
D552,978 S *	10/2007	Liao	D8/395
D563,452 S *	3/2008	Tan	D16/237
D564,559 S *	3/2008	Stephens	D16/208
D607,716 S *	1/2010	Chiu	D8/395
D614,945 S *	5/2010	Chiu	D8/395
7,762,512 B2	7/2010	Carnevali	
7,775,486 B2 *	8/2010	Depay	F16M 11/10 248/121
D631,509 S *	1/2011	Liang	D19/65
D637,480 S *	5/2011	Chen	D19/65
D679,700 S *	4/2013	Werth	D14/253
D682,332 S *	5/2013	Wang	D16/202
D715,790 S	10/2014	Conomos	
D810,179 S *	2/2018	Harms	D16/237
D820,342 S *	6/2018	Harms	D16/242
D831,660 S *	10/2018	Yao	D14/447

* cited by examiner

Primary Examiner — Mark A Goodwin

(74) *Attorney, Agent, or Firm* — David W. Carstens; J. Andrew Reed; Carstens & Cahoon, LLP

(57) **CLAIM**

The ornamental design for a universal bracket, as shown and described.

DESCRIPTION

FIG. 1 is a perspective view of the universal bracket assembly of the present invention shown in assembled condition;

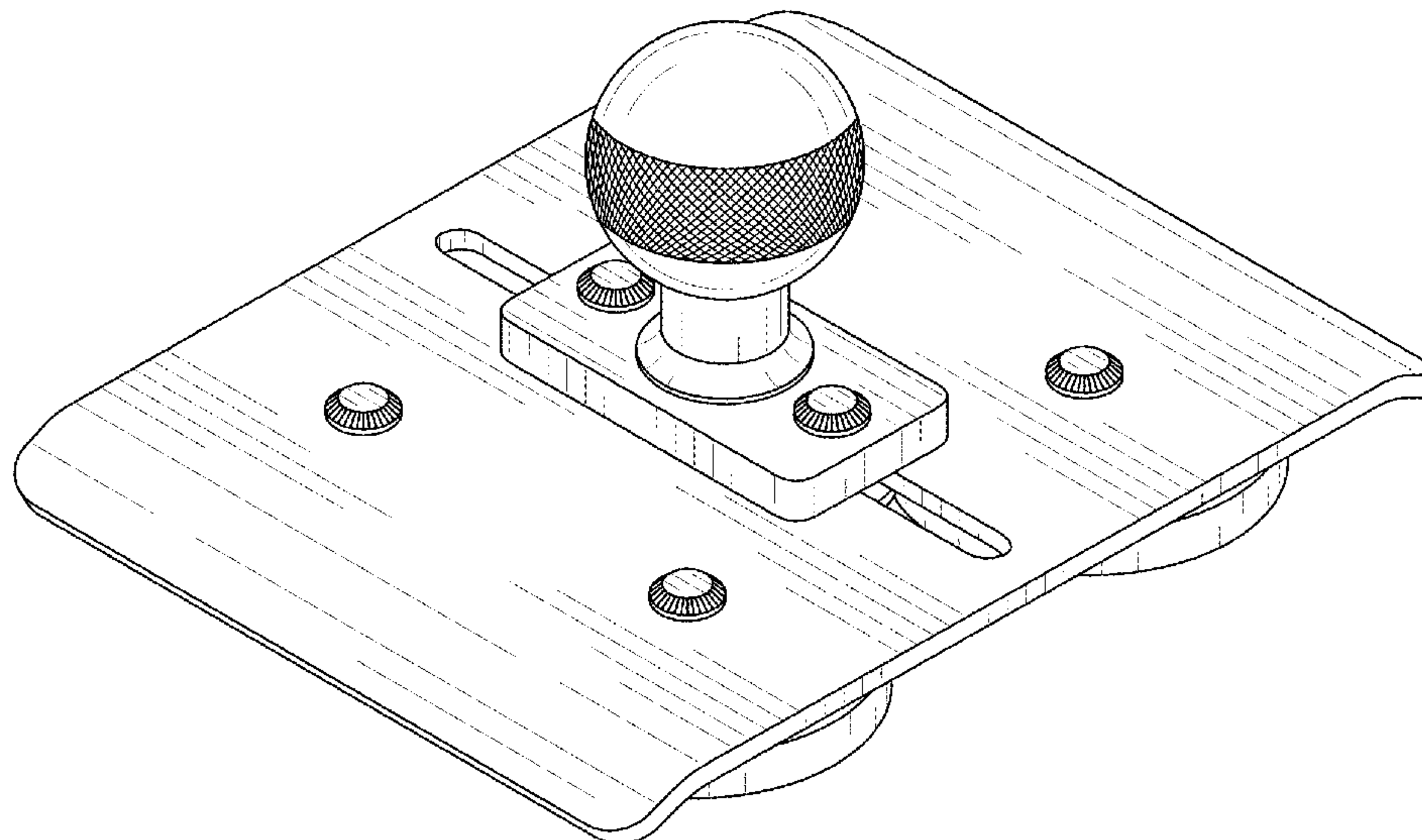
FIG. 2 is a top plan view thereof;

FIG. 3 is a bottom plan view thereof;

FIG. 4 is a rear elevation view, the front elevation view being a mirror image thereof; and,

FIG. 5 is a right side elevation view thereof; the left side elevation view being a mirror image thereof.

1 Claim, 3 Drawing Sheets



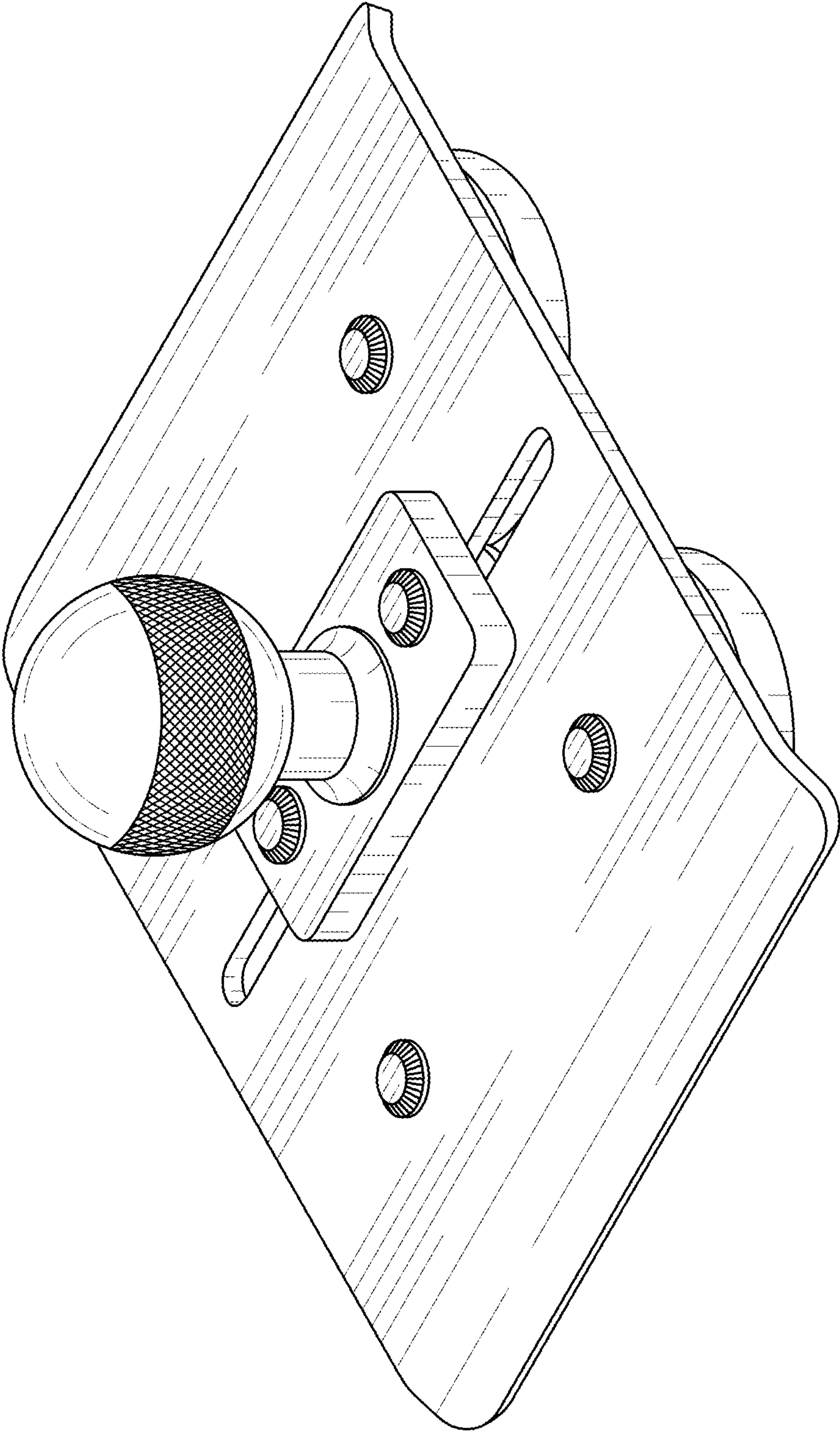


FIG. 1

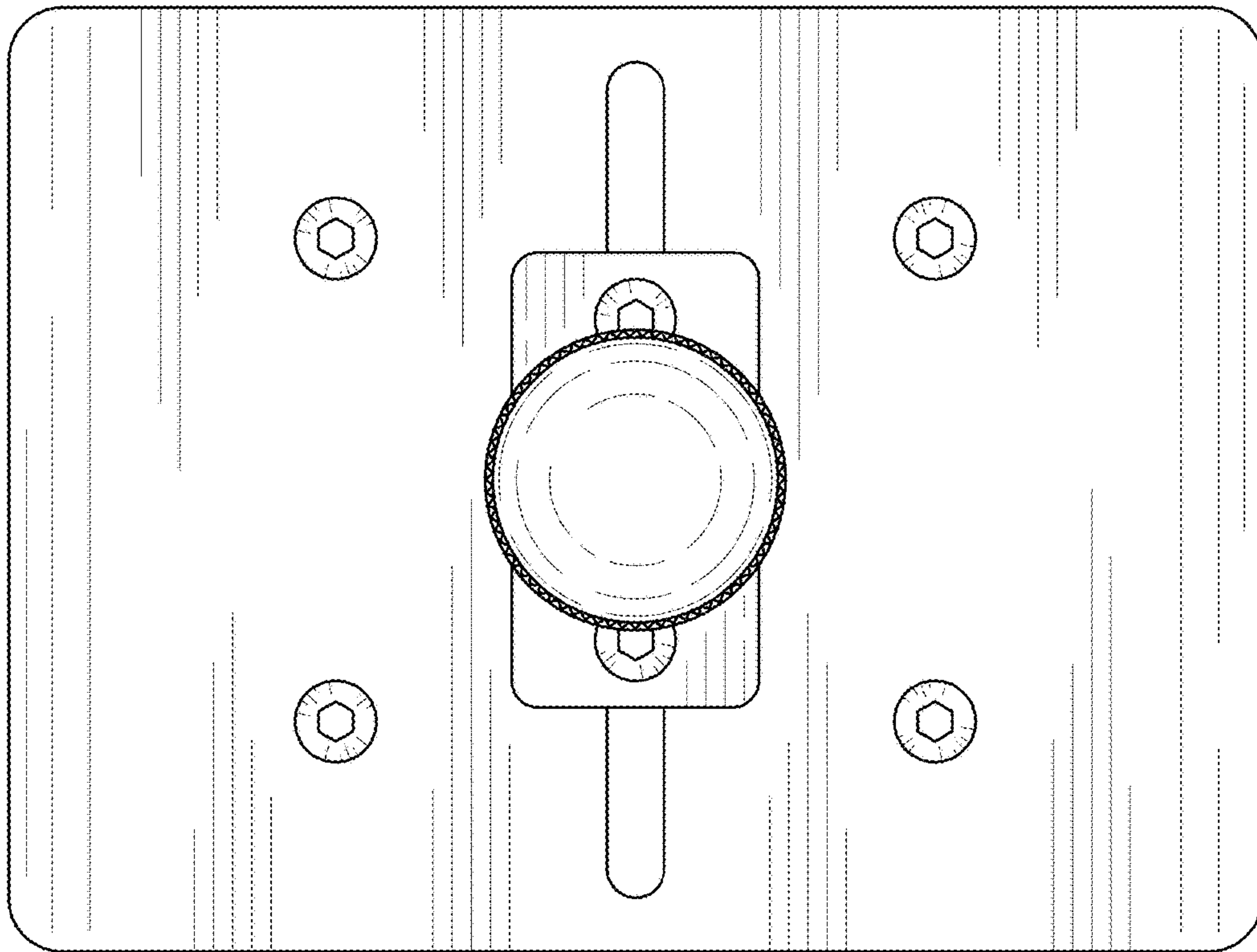


FIG. 2

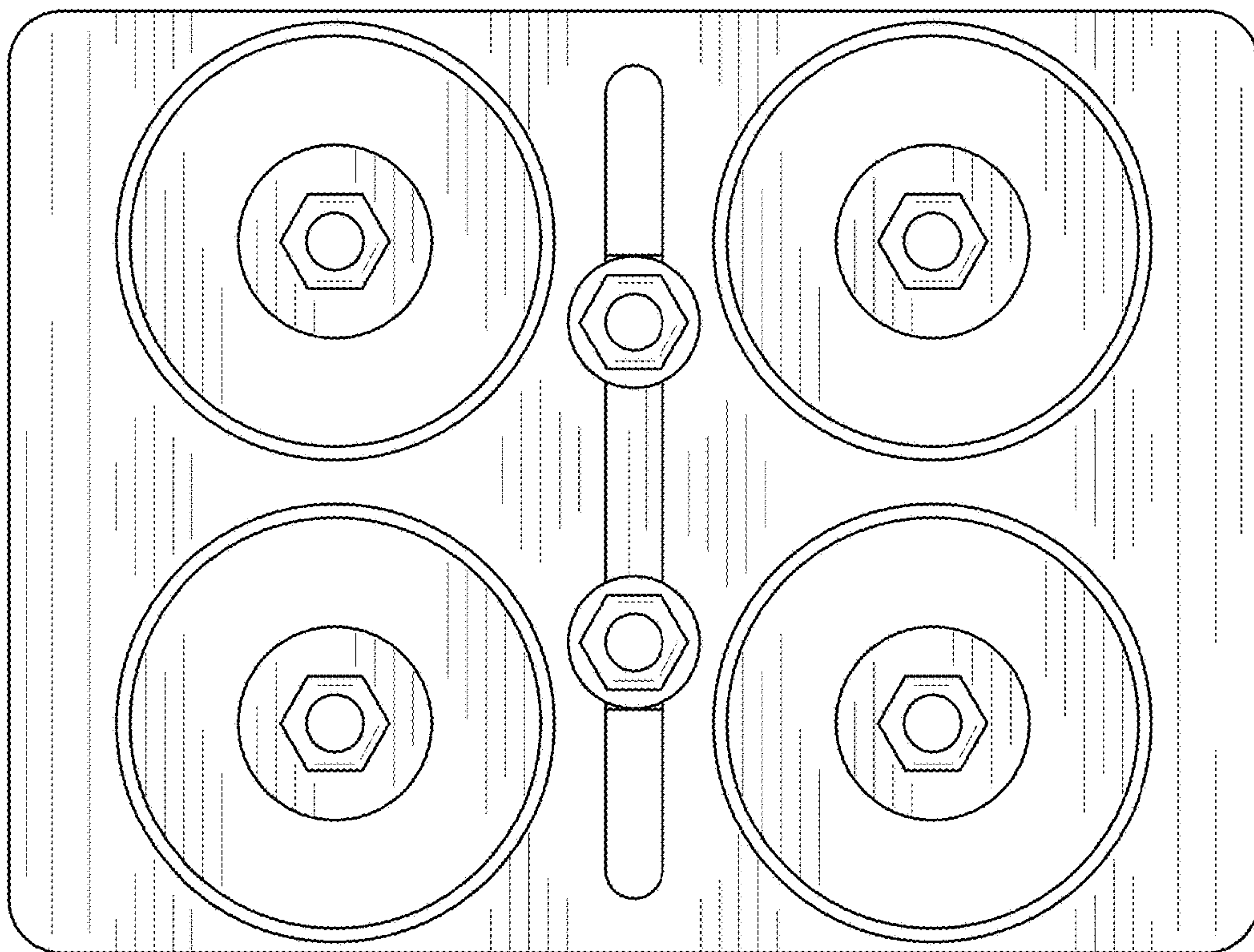


FIG. 3

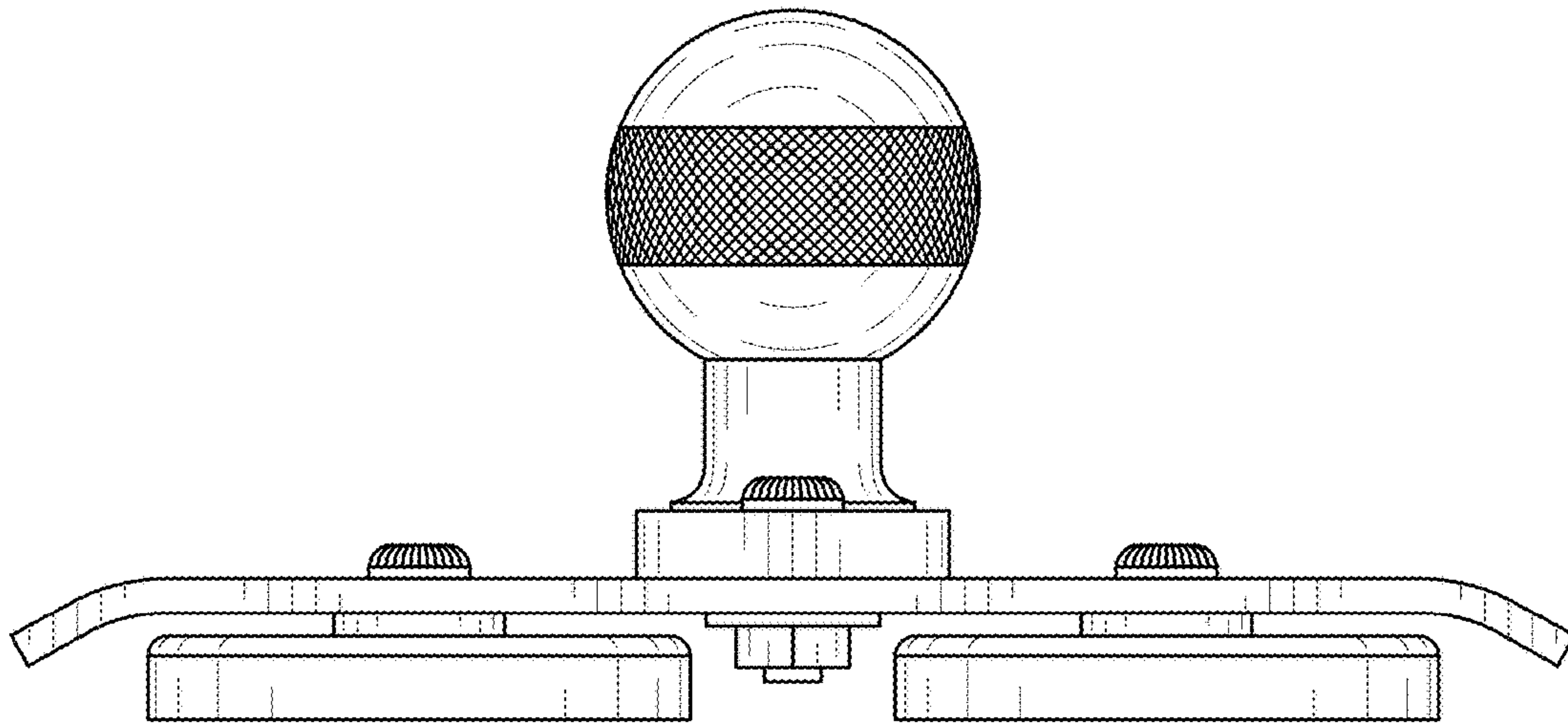


FIG. 4

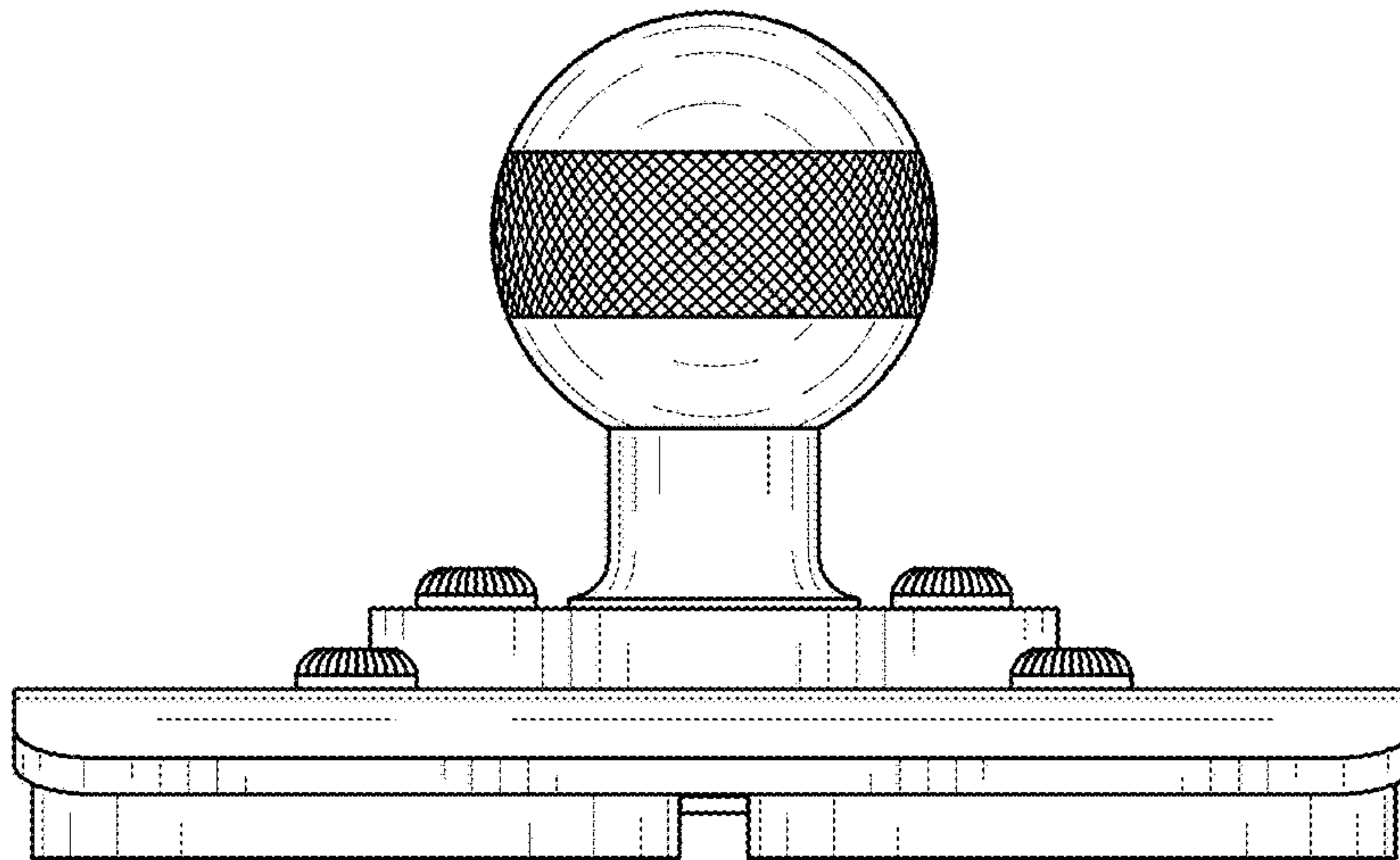


FIG. 5