



US00D856775S

(12) **United States Design Patent** (10) **Patent No.:** **US D856,775 S**
Marfione (45) **Date of Patent:** **** Aug. 20, 2019**

(54) **POCKET KNIFE**
(71) Applicant: **Microtech Knives**, Bradford, PA (US)
(72) Inventor: **Anthony L. Marfione**, Fletcher, NC (US)
(73) Assignee: **Microtech Kinves, Inc.**, Bradford, PA (US)
(**) Term: **15 Years**
(21) Appl. No.: **29/627,383**
(22) Filed: **Nov. 27, 2017**
(51) **LOC (12) Cl.** **08-03**
(52) **U.S. Cl.**
USPC **D8/99**
(58) **Field of Classification Search**
USPC D8/98, 99, 100, 105, 107; D22/118
CPC B26B 1/00; B26B 1/02; B26B 1/04; B26B 1/042; B26B 1/044; B26B 1/048; B26B 1/08; B26B 1/10
See application file for complete search history.

(56) **References Cited**
U.S. PATENT DOCUMENTS
D272,513 S 2/1984 Kagebayashi
D276,887 S 12/1984 Sakurai
D280,287 S 8/1985 Collins
D377,744 S 2/1997 Hasegawa
D391,464 S 3/1998 Barre et al.
5,819,414 A * 10/1998 Marifone B26B 1/046
30/160
D438,085 S 2/2001 Onion
D450,228 S 11/2001 Onion
D455,062 S 4/2002 Onion
D464,246 S * 10/2002 Sloan D8/99
D473,917 S * 4/2003 Carter, III D22/118
D474,669 S 5/2003 Onion
D488,045 S 4/2004 Onion
D494,440 S * 8/2004 Carter, III D22/118

D496,424 S * 9/2004 Carter, III D22/118
D496,425 S * 9/2004 Carter, III D22/118
D510,249 S * 10/2005 Ray D8/99
D510,514 S * 10/2005 Ray D8/99
D529,363 S 10/2006 Freer et al.
D554,964 S 11/2007 Taylor
D561,554 S 2/2008 Taylor
D569,212 S 5/2008 Hawk et al.
D569,213 S 5/2008 Renzi et al.
D570,180 S 6/2008 Onion
D572,562 S 7/2008 Hawk
D578,857 S 10/2008 Yang-Fu
D586,198 S 2/2009 MacNair et al.
D613,574 S * 4/2010 Pohl D8/99
(Continued)

OTHER PUBLICATIONS

Imgur.com website Socom Elite 2006 vs 2018 Models, Pictures of old and new models from the rear.*
(Continued)

Primary Examiner — Philip S Hyder
(74) *Attorney, Agent, or Firm* — Steve LeBlanc, LLC

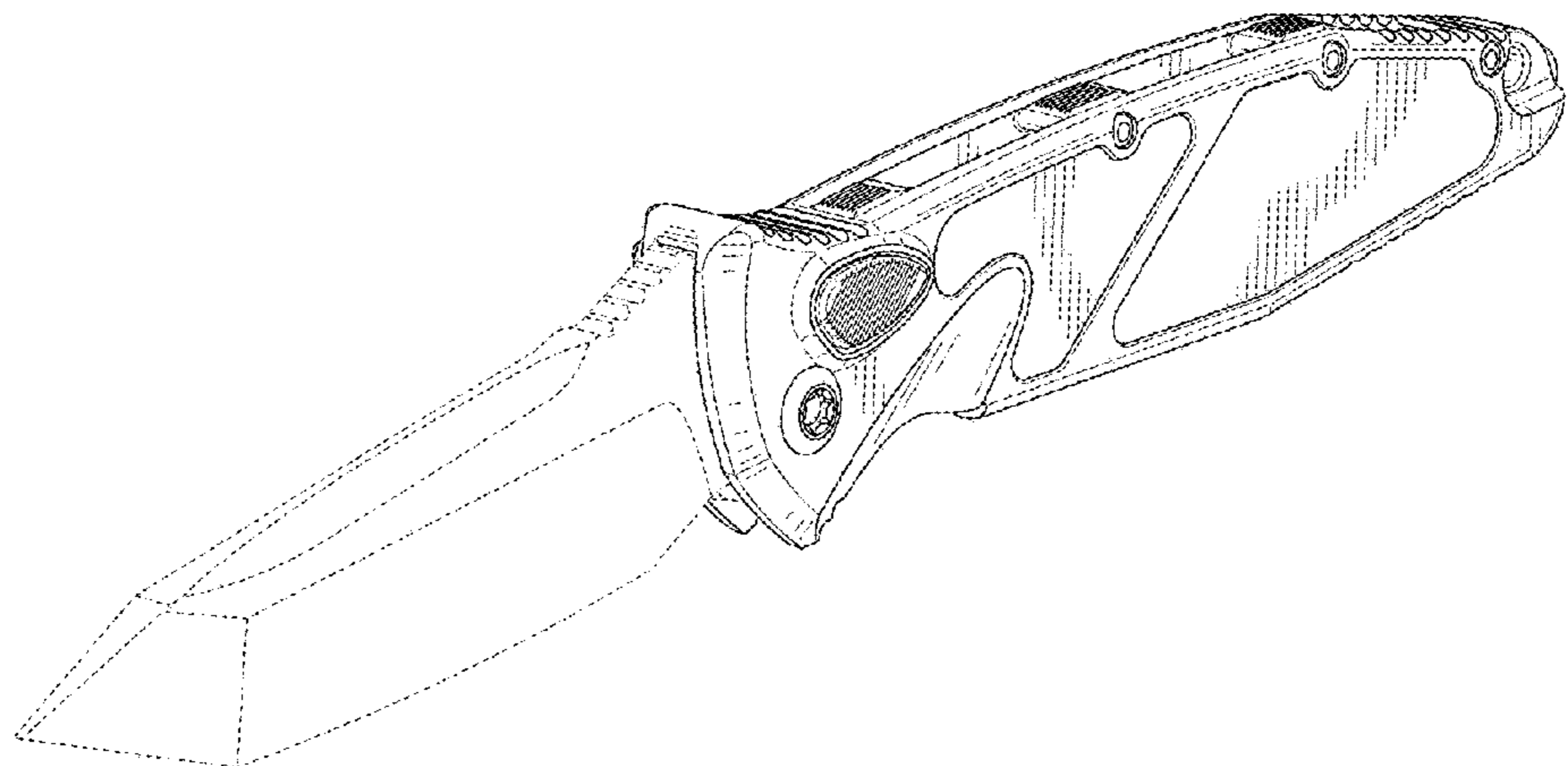
(57) **CLAIM**

The ornamental design for a pocket knife, as shown and described.

DESCRIPTION

FIG. 1 is a perspective view of the pocket knife;
FIG. 2 is a top view of the pocket knife;
FIG. 3 is a bottom view of the pocket knife;
FIG. 4 is a left side view of the pocket knife;
FIG. 5 is a right side view of the pocket knife;
FIG. 6 is a back view of the pocket knife; and,
FIG. 7 is a front view of the pocket knife.
The broken lines depict portions of the pocket knife in which the design is embodied that are not considered part of the claimed design.

1 Claim, 4 Drawing Sheets



(56)

References Cited

U.S. PATENT DOCUMENTS

D634,174 S	3/2011	Ryan et al.	
D653,520 S	2/2012	Chang	
D677,551 S	3/2013	Pelton	
9,061,496 B2 *	6/2015	Shimomura	B41J 2/135
D743,769 S	11/2015	Glesser	
D747,946 S	1/2016	Carey	
D751,412 S	3/2016	Gang et al.	
D753,459 S	4/2016	Glesser	
D756,192 S	5/2016	Horvath	
D761,074 S	7/2016	Mihailides et al.	
D766,061 S	9/2016	Barr	
D784,485 S *	4/2017	Nawaz	D22/118
D787,293 S	5/2017	Prince et al.	
D795,039 S	8/2017	Squiers et al.	
D801,775 S	11/2017	Tsujimoto et al.	
D807,723 S	1/2018	Constantine et al.	
D808,494 S	1/2018	Marfione et al.	
D811,191 S	2/2018	Berenji et al.	
2001/0032391 A1 *	10/2001	Onion	B26B 1/046 30/161
2009/0144986 A1 *	6/2009	Frazer	B26B 1/042 30/159

OTHER PUBLICATIONS

Reddit.com NKD: Socom Elite 2018 Witeen comparison to older models, Picture of old and new model.*

Ar15forums Socom Elite Auto 2006.*

Imgur.com website Socom Elite 2006 vs 2018 Models, Pictures of old and new models from the front.*

* cited by examiner

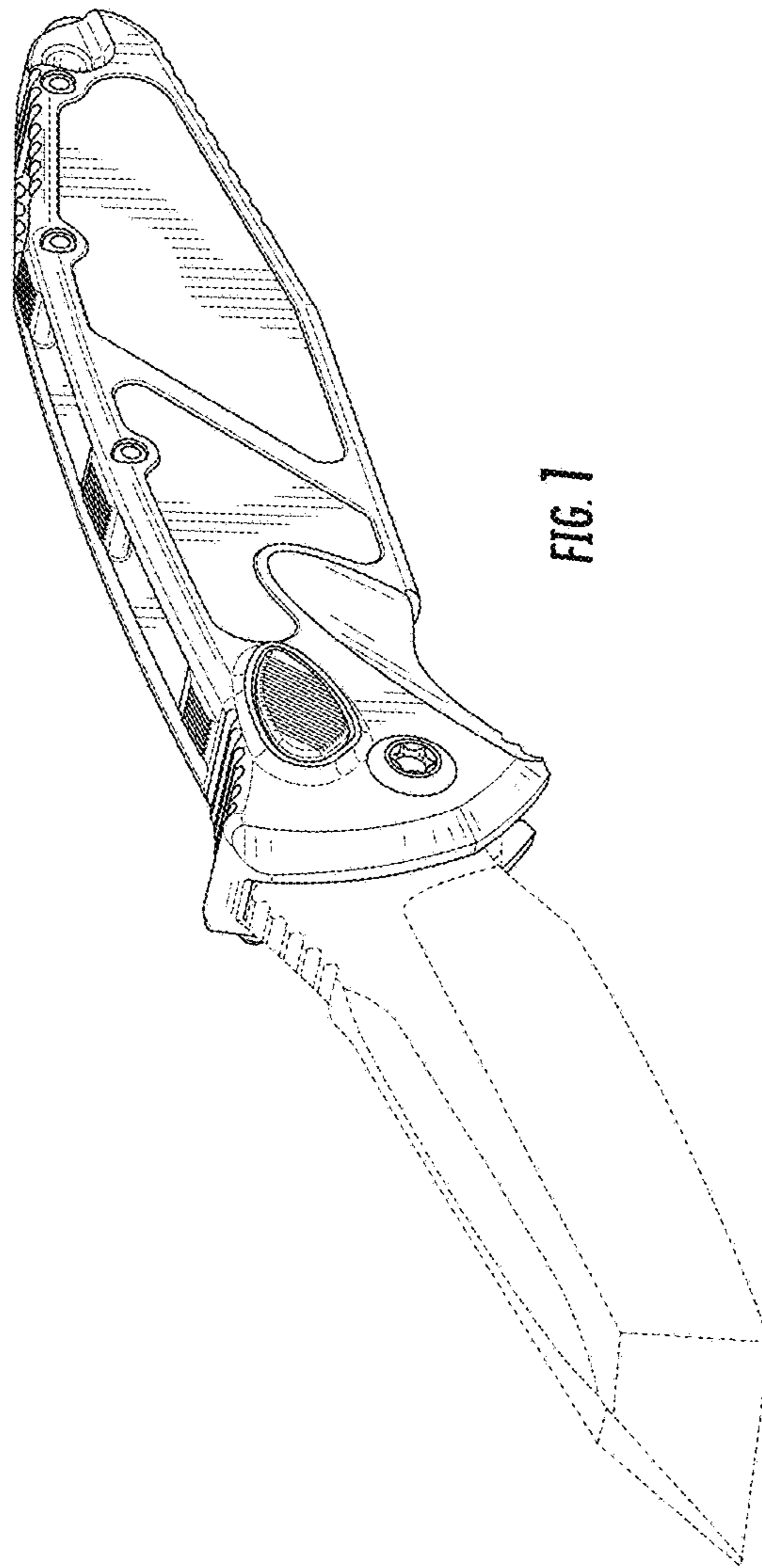


FIG. 1

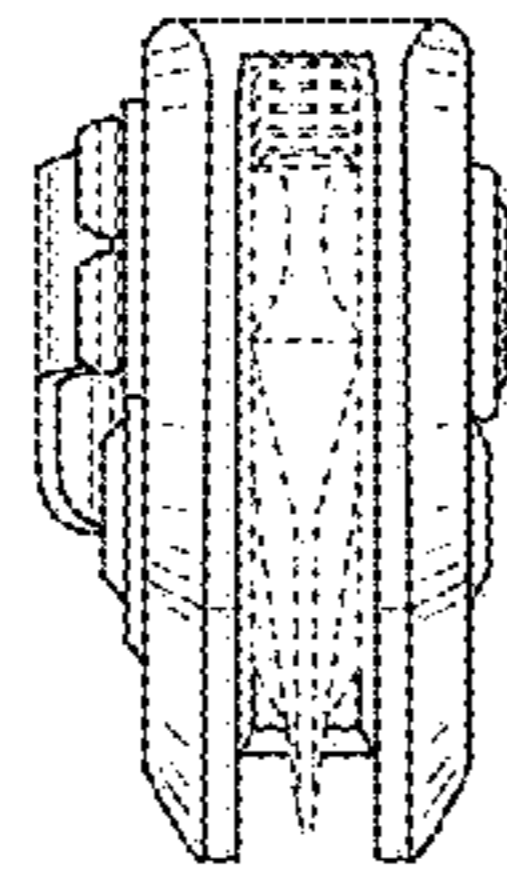


FIG. 2

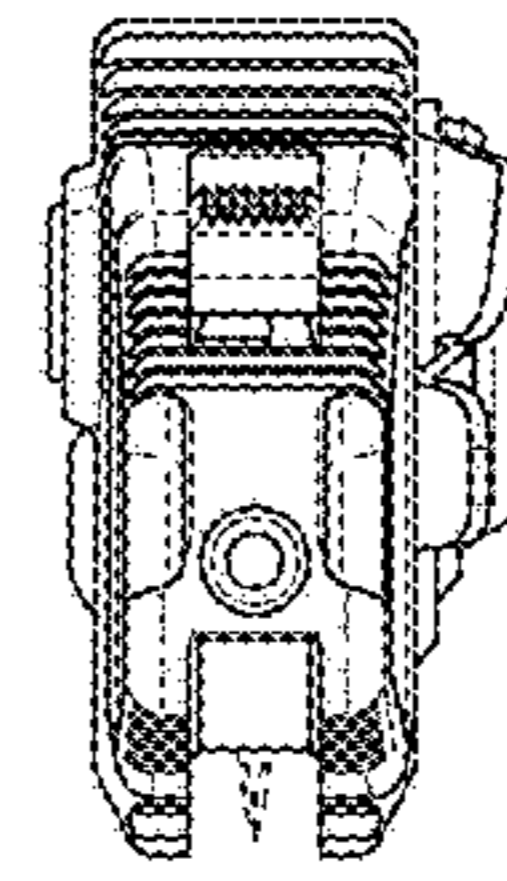


FIG. 3

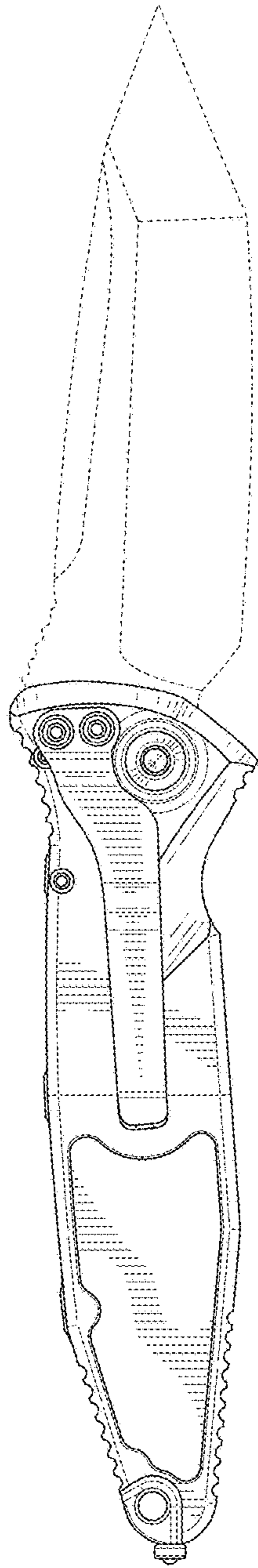


FIG. 4

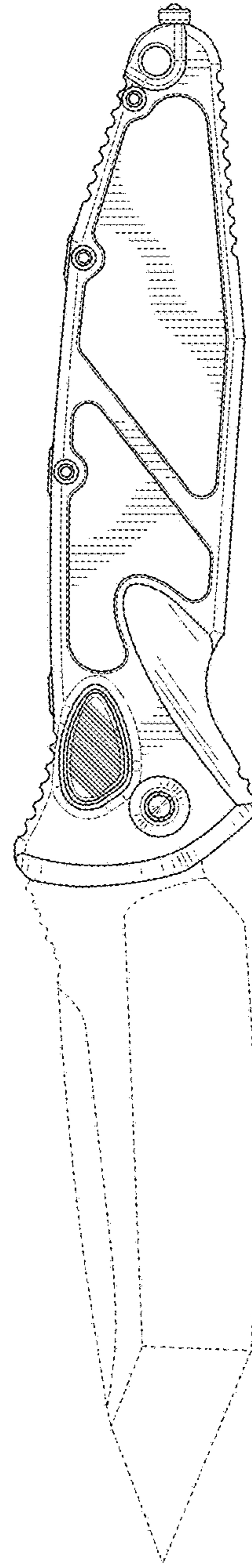


FIG. 5

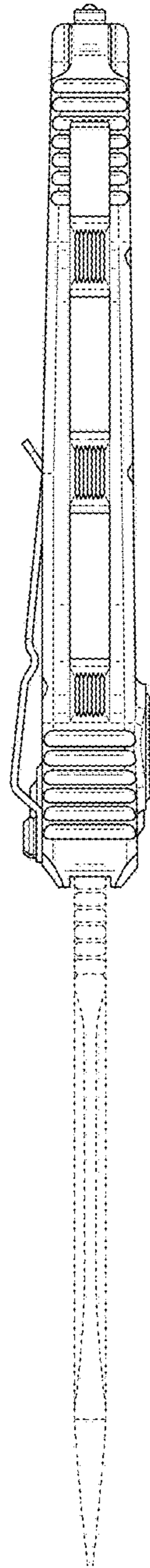


FIG. 6

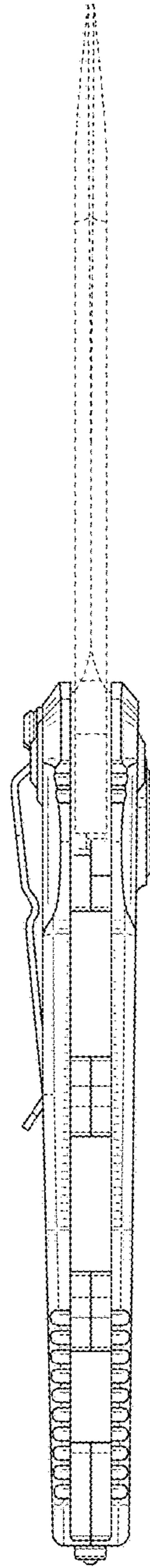


FIG. 7