



US00D856772S

(12) **United States Design Patent** (10) **Patent No.:** **US D856,772 S**
Dahill (45) **Date of Patent:** **** Aug. 20, 2019**

(54) **TOP MEMBER FOR TILE LEVELING DEVICE**
(71) Applicant: **TTI (MACAO COMMERCIAL OFFSHORE) LIMITED, Macau (MO)**

D678,039 S * 3/2013 Psaila D8/354
8,429,878 B1 4/2013 Hoffman et al.
8,429,879 B1 4/2013 Hoffman et al.
8,561,370 B1 10/2013 Hoffman et al.
8,572,927 B1 11/2013 Hoffman et al.
8,607,530 B2 12/2013 Hoffman et al.

(Continued)

(72) Inventor: **Drew A. Dahill, Pendleton, SC (US)**
(73) Assignee: **TTI (MACAO COMMERCIAL OFFSHORE) LIMITED, Macau (MO)**

FOREIGN PATENT DOCUMENTS

BR 102014010232-9 A2 2/2016
EP 2241702 A2 10/2010
WO 2016135354 A1 9/2016

(**) Term: **15 Years**

Primary Examiner — Janice Hallmark
Assistant Examiner — Harold E Blackwell, II
(74) *Attorney, Agent, or Firm* — Michael Best & Friedrich LLP

(21) Appl. No.: **29/636,420**

(22) Filed: **Feb. 8, 2018**

(51) **LOC (12) Cl.** **08-05**

(52) **U.S. Cl.**
USPC **D8/71**

(58) **Field of Classification Search**
USPC D8/105, 307, 310, 313, 321, 354, 382,
D8/387, 71
CPC E04F 19/06; E04F 21/18; E04F 21/0092;
B28D 1/225; G01B 3/30; G09F
2017/0066; G09F 17/00
See application file for complete search history.

(57) **CLAIM**

I claim the ornamental design for a top member for tile leveling device, as shown and described.

DESCRIPTION

FIG. 1 is a top-front perspective view of a top member for a tile leveling device according to an embodiment of the invention.

FIG. 2 is a top view of the top member of FIG. 1.

FIG. 3 is a bottom view of the top member of FIG. 1.

FIG. 4 is a front view of the top member of FIG. 1.

FIG. 5 is a rear view of the top member of FIG. 1.

FIG. 6 is a left view of the top member of FIG. 1; and,

FIG. 7 is a right view of the top member of FIG. 1.

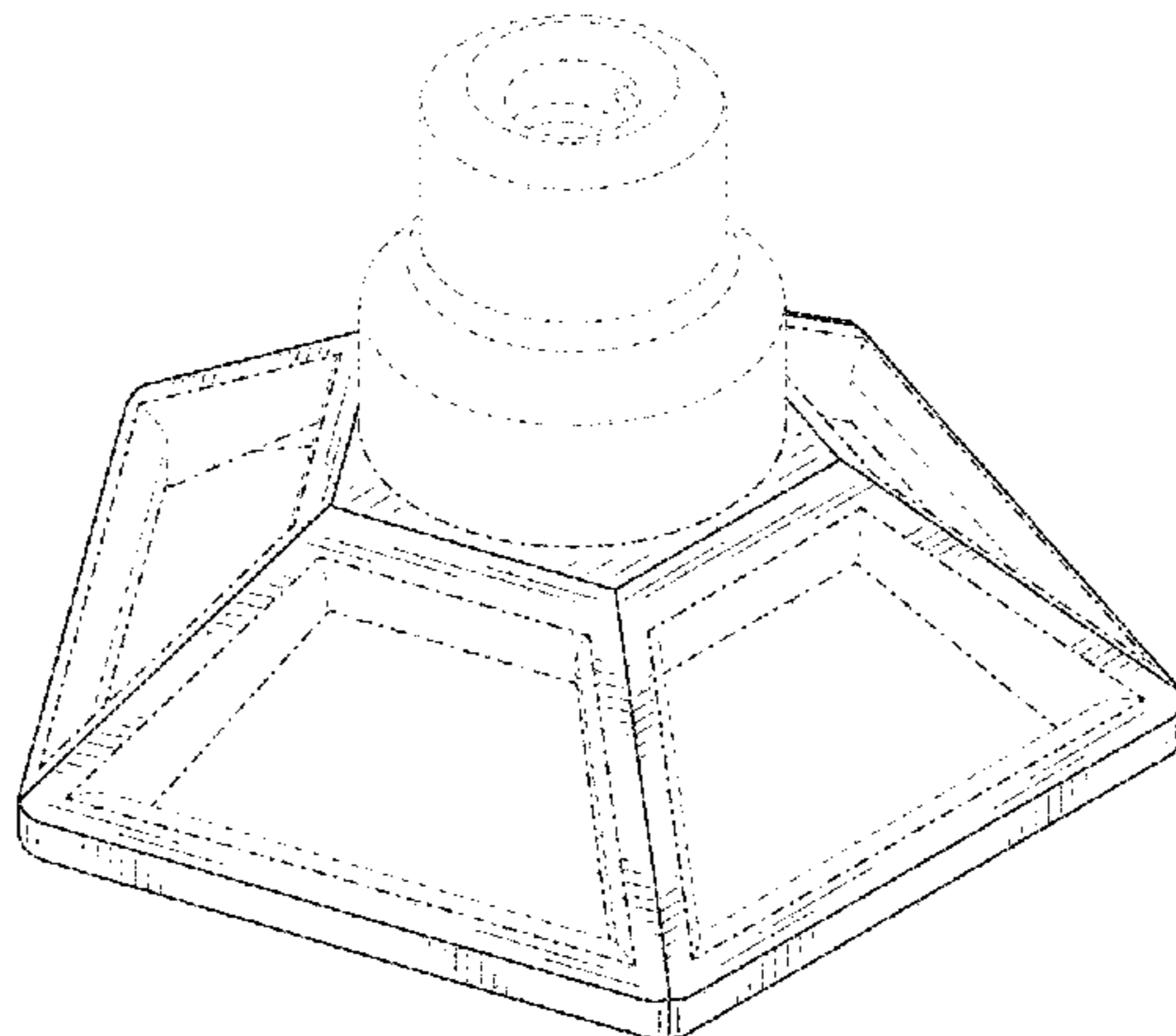
The portions of the top member for tile leveling device shown in broken lines are included for the purpose of illustrating environment and form no part of the claimed design. The portions of the top member for tile leveling device shown in broken lines having unequal length segments illustrate the boundary of the claimed design and form no part of the claimed design.

(56) **References Cited**

U.S. PATENT DOCUMENTS

4,397,125 A 8/1983 Gussler et al.
5,603,195 A 2/1997 Cosentino
7,257,926 B1 8/2007 Kirby
7,621,100 B2 11/2009 Kufner et al.
7,861,487 B2 1/2011 Kufner et al.
7,946,093 B1 5/2011 Sturino
7,954,300 B1 6/2011 Kufner et al.
7,992,354 B2 8/2011 Doda, Jr.
8,011,164 B2 9/2011 Kufner et al.
8,079,199 B1 12/2011 Kufner et al.
8,099,926 B2 1/2012 Kufner et al.
8,181,420 B2 5/2012 Torrents I Comas
8,336,279 B2 12/2012 Kufner et al.

1 Claim, 5 Drawing Sheets



(56)

References Cited

U.S. PATENT DOCUMENTS

8,635,815 B2	1/2014	Bordin	9,482,019 B2	11/2016	Fontana
8,671,628 B2	3/2014	Sighinolfi	9,487,959 B2	11/2016	Bunch et al.
8,689,521 B1	4/2014	Hoffman et al.	D775,935 S *	1/2017	Sarajian D8/354
8,689,522 B2	4/2014	Hoffman et al.	D778,709 S	2/2017	Russo
8,800,246 B2	8/2014	Gorton	9,657,485 B2 *	5/2017	Meyers E04F 21/1877
8,820,031 B2	9/2014	Kufner et al.	D792,250 S *	7/2017	Hill D10/66
8,887,475 B2	11/2014	Ghelfi	D830,161 S *	10/2018	Russo D8/399
8,966,835 B1	3/2015	Hoffman et al.	D831,459 S *	10/2018	Cartwright D8/70
9,027,308 B2	3/2015	Kufner et al.	D834,922 S *	12/2018	Russo D8/355
9,010,064 B1	4/2015	Farahmandpour	2006/0185269 A1	8/2006	Kufner et al.
9,045,911 B2	6/2015	Hoffman et al.	2009/0126213 A1 *	5/2009	Tavy E04F 21/0092 33/527
9,097,026 B2	8/2015	Hoffman et al.	2010/0263304 A1	10/2010	Torrents I Comas
D742,719 S *	11/2015	Komura D8/349	2010/0287868 A1	11/2010	Kufner et al.
9,228,363 B2	1/2016	Kufner et al.	2013/0067854 A1 *	3/2013	Bordin E04F 21/0092 52/749.11
9,260,855 B2	2/2016	Farahmandpour	2013/0255182 A1	10/2013	Kufner et al.
9,260,872 B2	2/2016	Bunch	2014/0116001 A1	5/2014	Ghelfi
9,267,298 B2	2/2016	Kufner et al.	2014/0325936 A1	11/2014	Psaila et al.
9,279,259 B1	3/2016	Russo	2015/0211243 A1	7/2015	Irvine et al.
9,322,185 B1	4/2016	Russo	2015/0240504 A1	8/2015	Hoffman et al.
9,322,186 B1	4/2016	Chang et al.	2015/0267420 A1	9/2015	Fontana
9,328,522 B2	5/2016	Bordin	2016/0108627 A1	4/2016	Kufner et al.
9,464,448 B2	10/2016	Hoffman et al.	2016/0186449 A1	6/2016	Lee
9,470,002 B2	10/2016	Irvine et al.	2016/0376795 A1	12/2016	Irvine et al.
9,470,003 B1	10/2016	Moon	2017/0009464 A1	1/2017	Hoffman et al.
9,482,018 B2	11/2016	Torrents I Comas	2017/0009465 A1	1/2017	Volponi

* cited by examiner

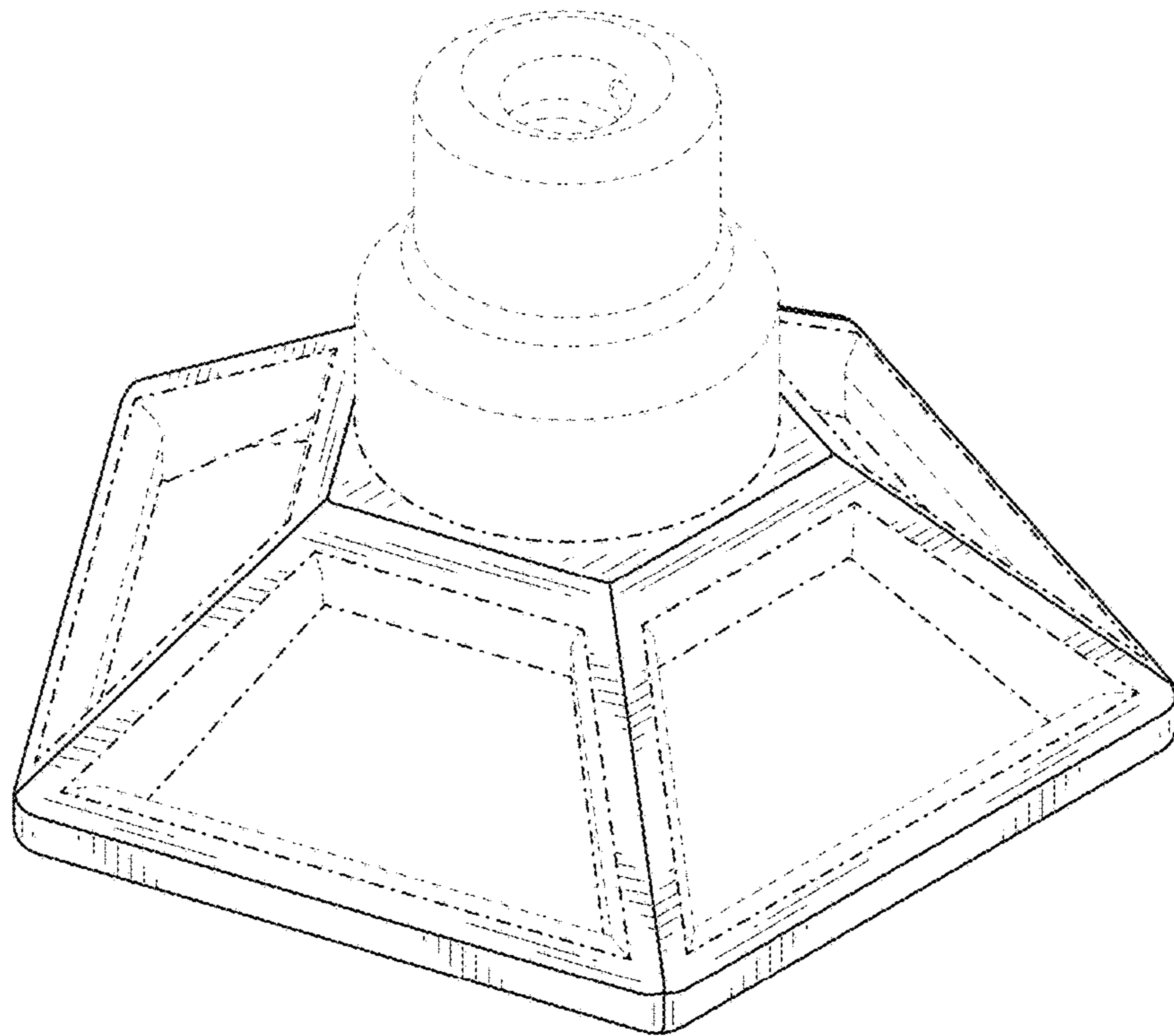


FIG. 1

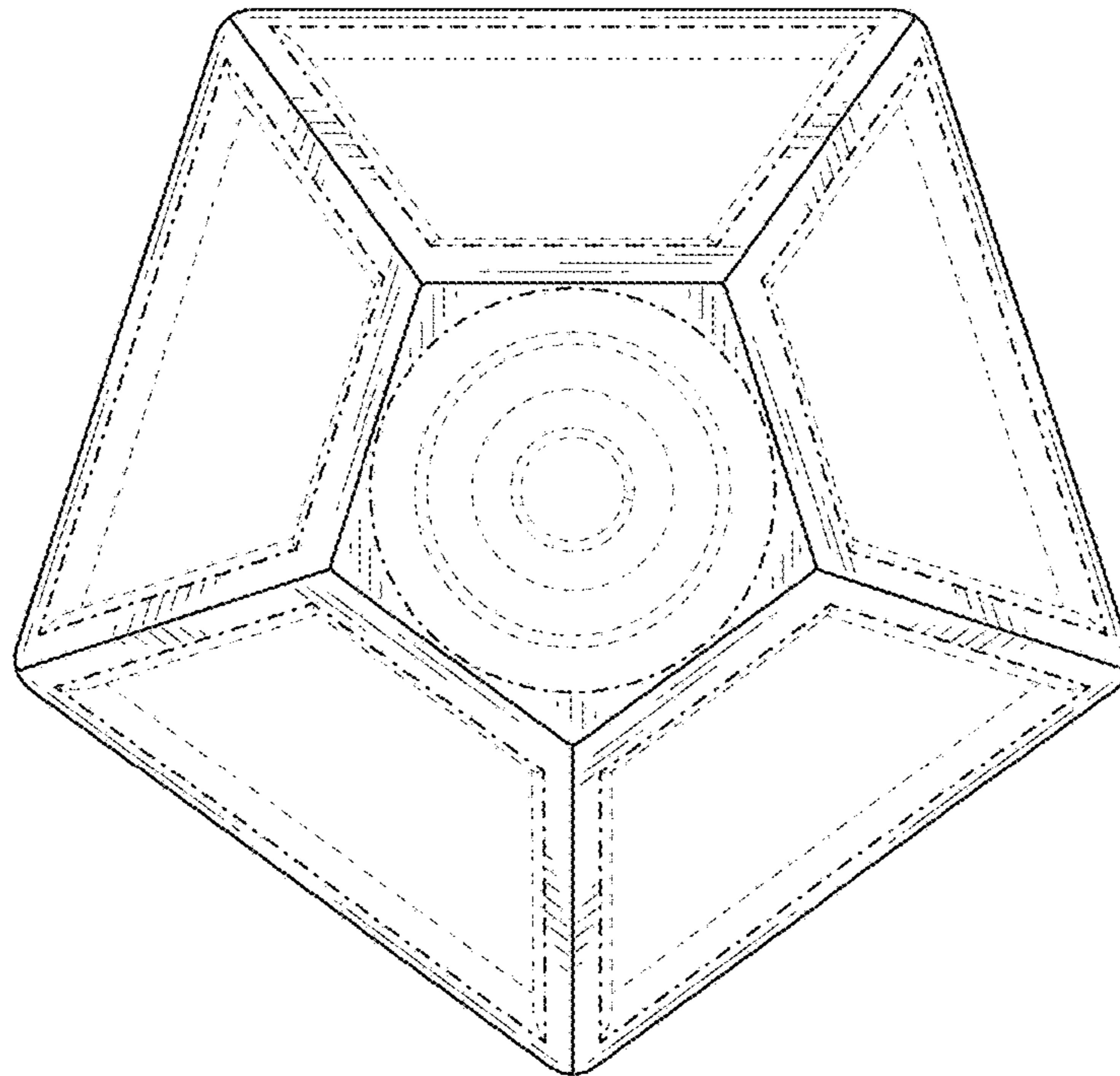


FIG. 2

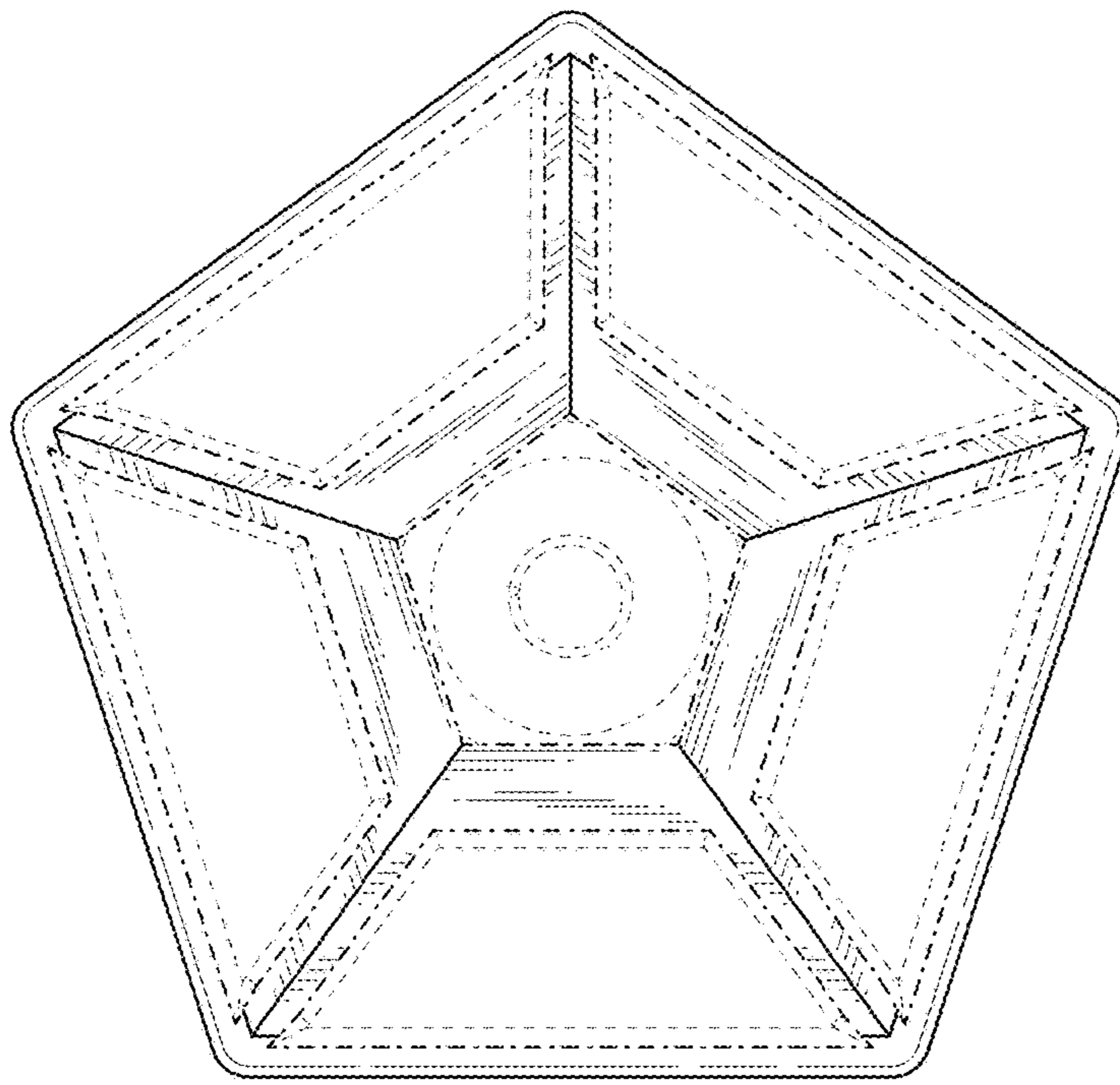


FIG. 3

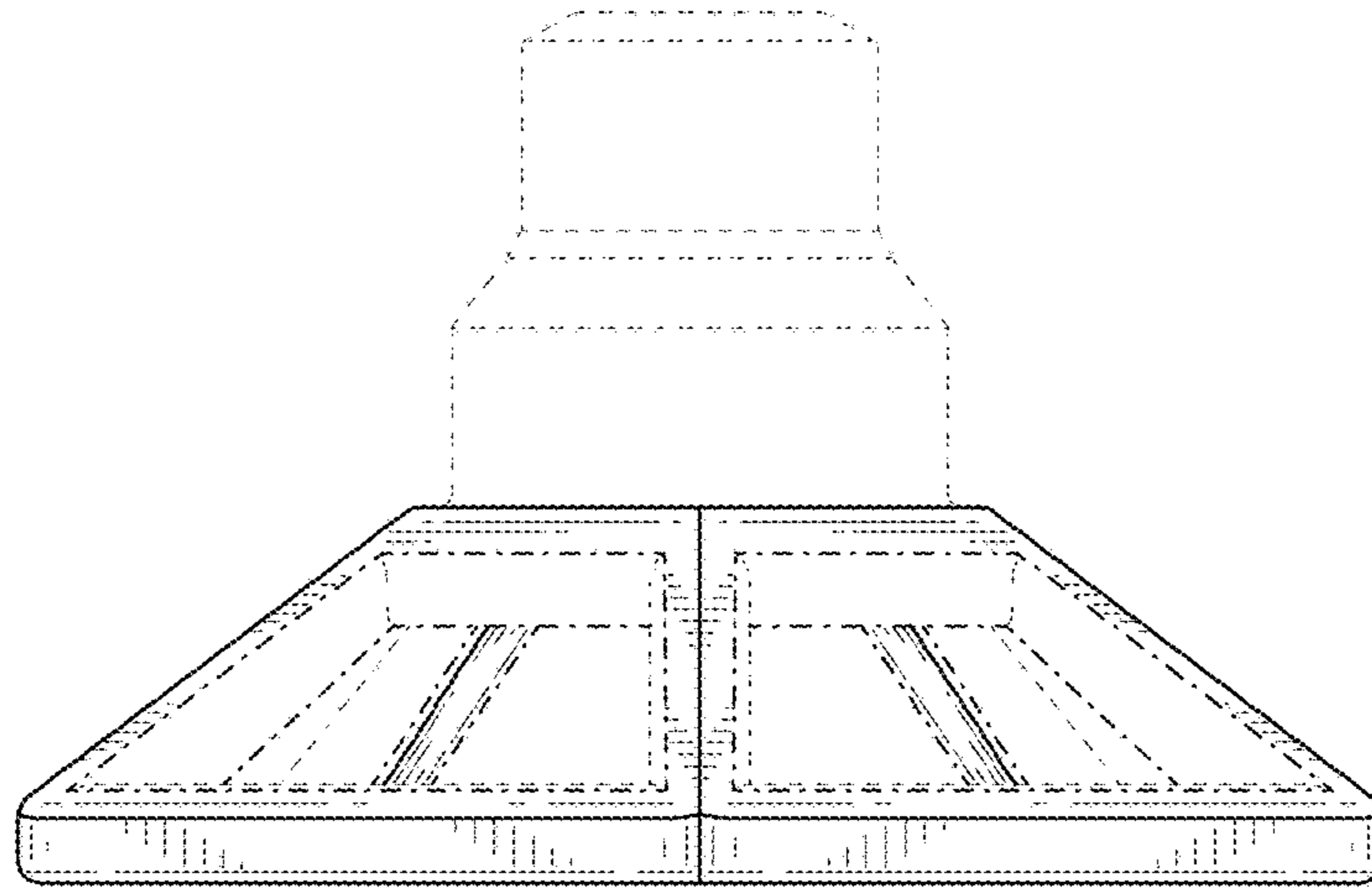


FIG. 4

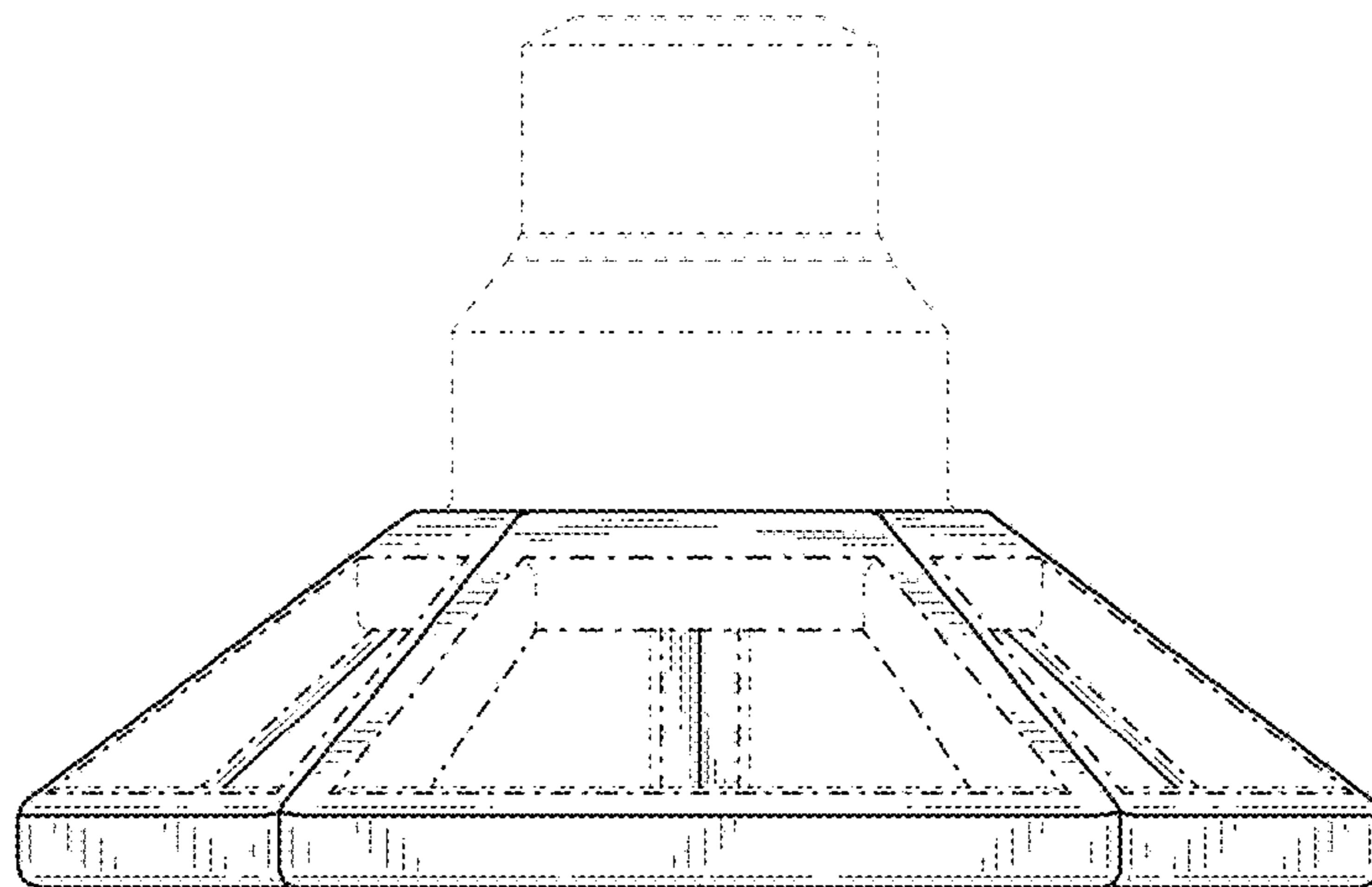


FIG. 5

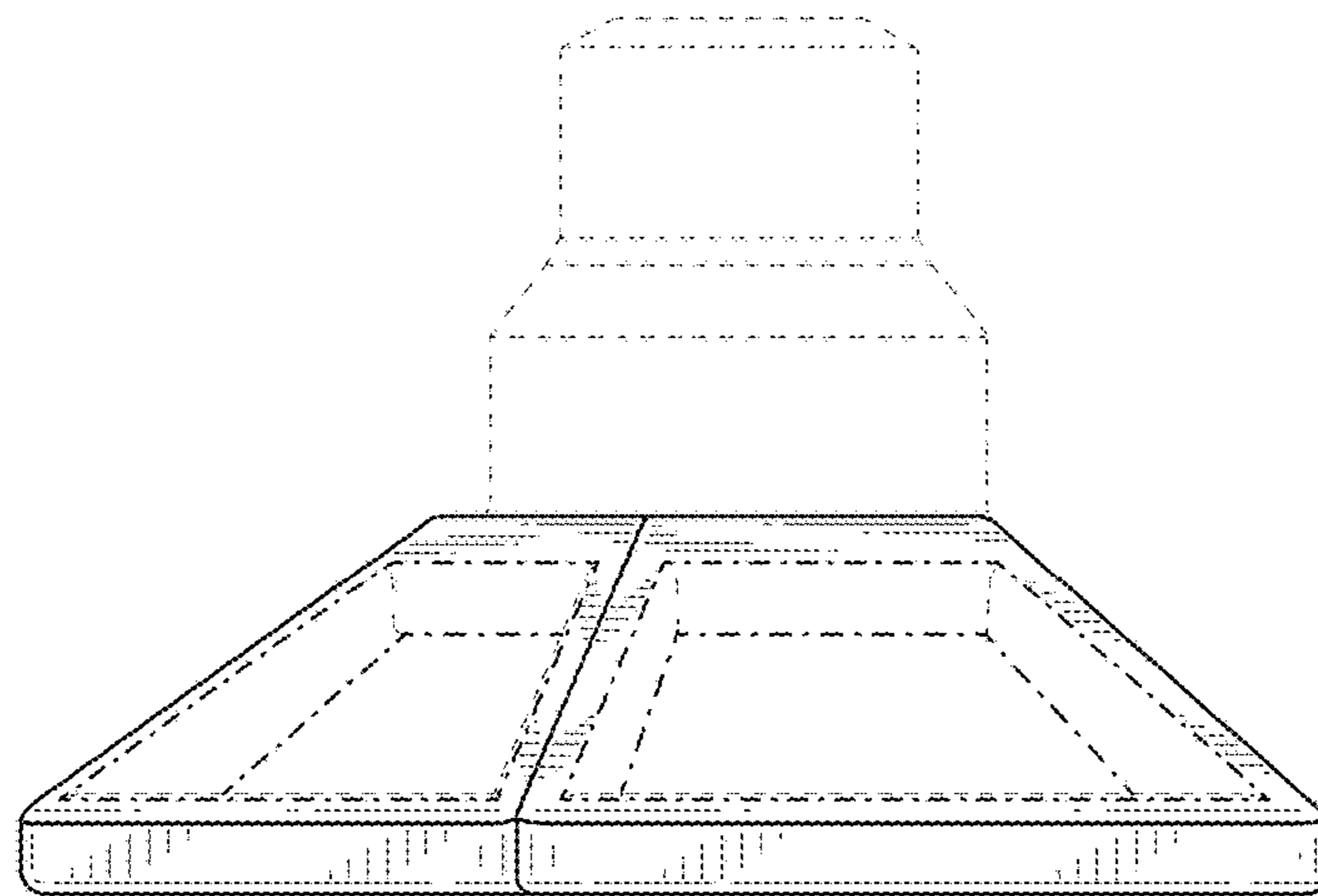


FIG. 6

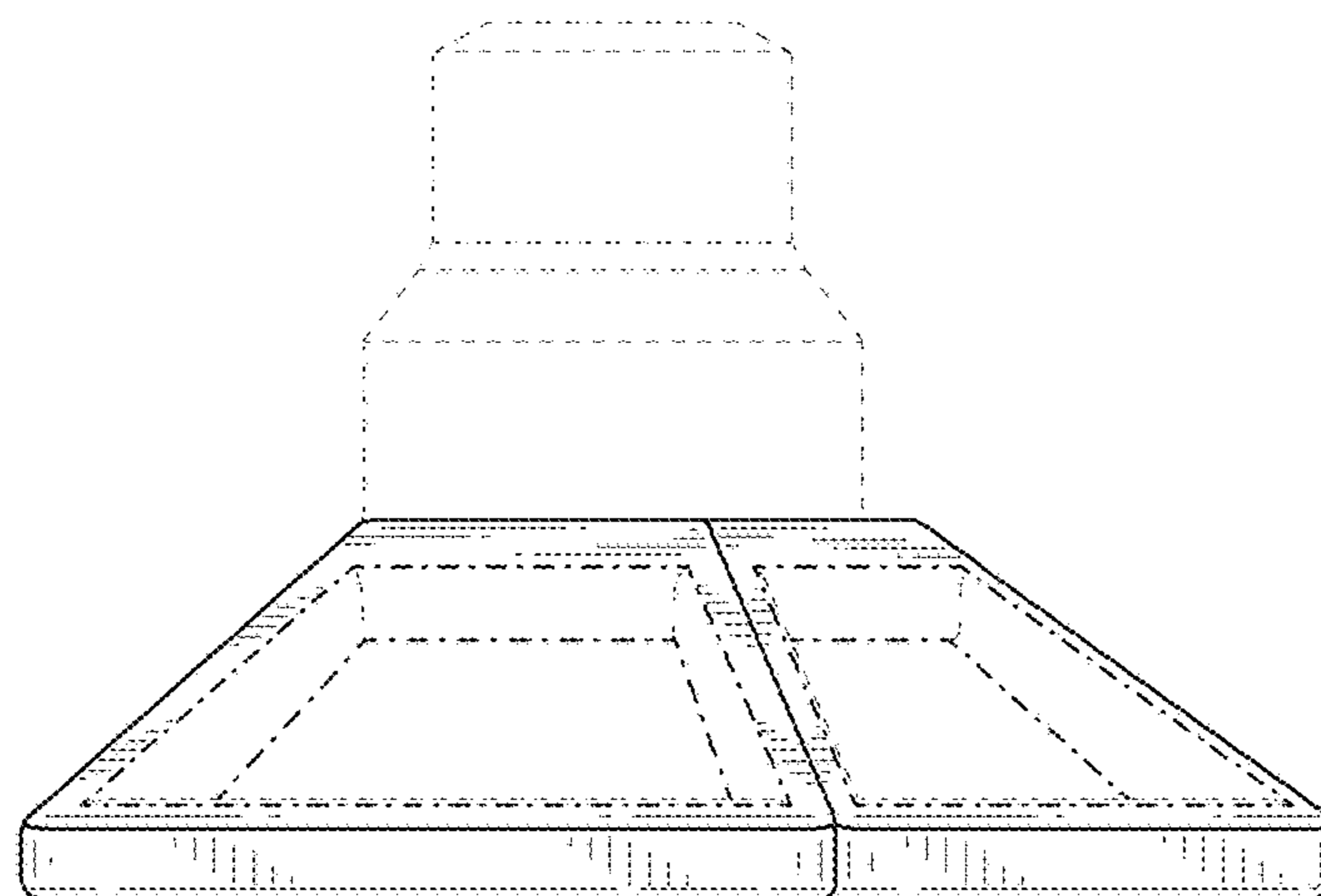


FIG. 7