



US00D856770S

(12) **United States Design Patent**
Seader

(10) **Patent No.:** **US D856,770 S**

(45) **Date of Patent:** **** Aug. 20, 2019**

(54) **TENSIONING DEVICE**

(71) Applicant: **Nite Ize, Inc.**, Boulder, CO (US)

(72) Inventor: **Rex Seader**, Denver, CO (US)

(73) Assignee: **Nite Ize, Inc.**, Boulder, CO (US)

(**) Term: **15 Years**

(21) Appl. No.: **29/588,049**

(22) Filed: **Dec. 16, 2016**

(51) **LOC (12) Cl.** **08-05**

(52) **U.S. Cl.**
USPC **D8/44**

(58) **Field of Classification Search**

USPC D8/14, 44, 51, 107, 300

CPC B25B 25/00; B60P 3/079; B60P 7/083;
B60P 7/0846; B65B 13/025

See application file for complete search history.

(56) **References Cited**

U.S. PATENT DOCUMENTS

6,654,987	B1 *	12/2003	Wu	B60P 7/083 24/68 CD
D514,409	S *	2/2006	Kopp	D8/44
D527,606	S *	9/2006	Jackson	D8/107
7,360,753	B1 *	4/2008	Lin	B25B 25/00 24/69 ST
7,503,546	B1 *	3/2009	Seager	A44B 11/125 254/218
D642,031	S *	7/2011	Pehar	D8/44

D675,498 S * 2/2013 Stevens D8/44

8,915,485 B2 * 12/2014 Joubert B60P 7/083

2009/0047091 A1 * 2/2009 Huck B60P 7/083

2012/0205601 A1 * 8/2012 Joubert B60P 7/083

254/217

* cited by examiner

Primary Examiner — Philip S Hyder

(74) *Attorney, Agent, or Firm* — Haynes and Boone, LLP

(57) **CLAIM**

The ornamental design for the tensioning device, as shown and described.

DESCRIPTION

FIG. 1 shows a front-top perspective view of the tensioning device;

FIG. 2 shows rear-bottom perspective view of the tensioning device;

FIG. 3 shows a front-bottom perspective view of the tensioning device;

FIG. 4 shows a right side view of the tensioning device;

FIG. 5 shows a left side view of the tensioning device;

FIG. 6 shows a top view of the tensioning device;

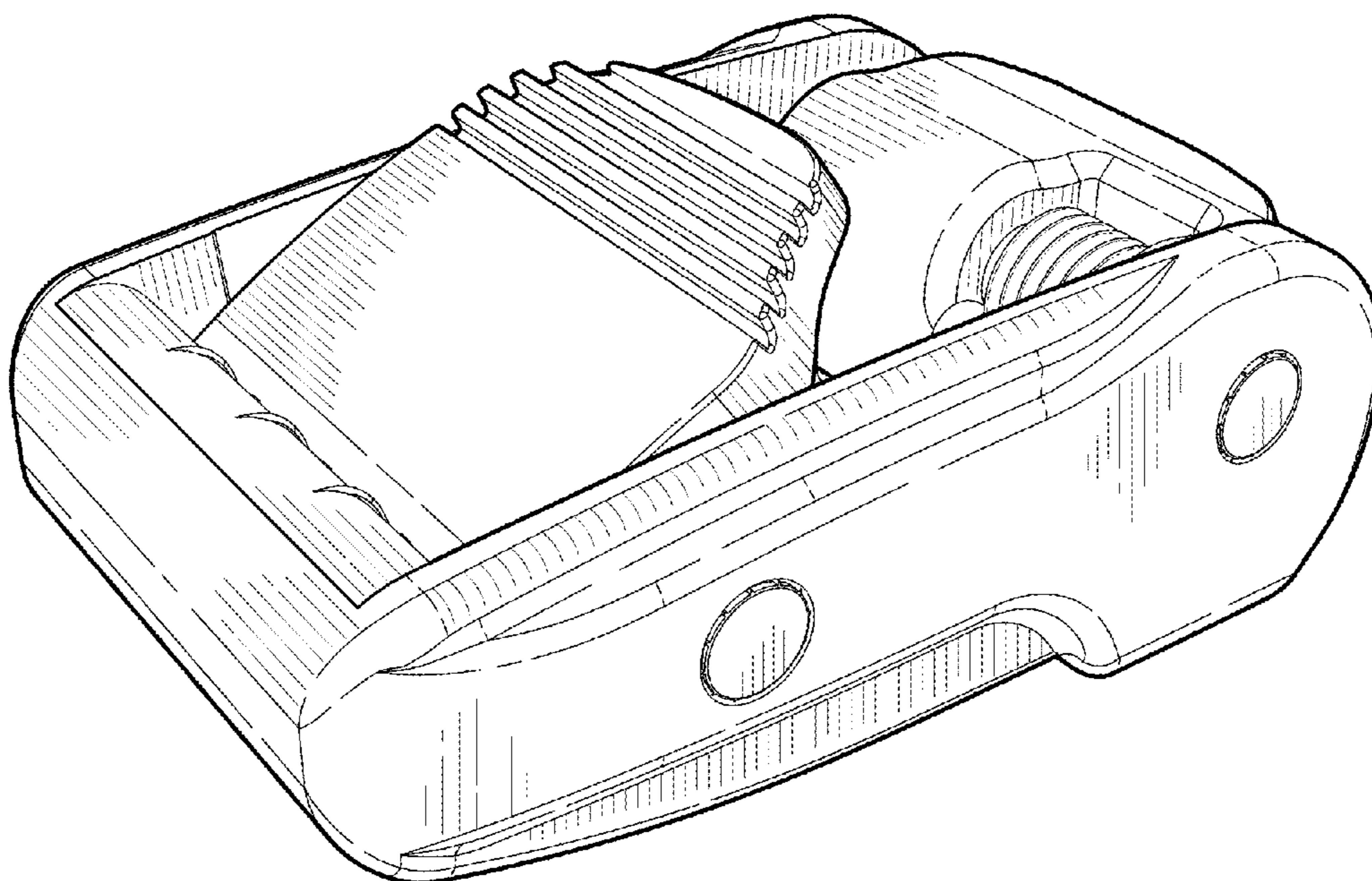
FIG. 7 shows a bottom view of the tensioning device;

FIG. 8 shows a front view of the tensioning device; and,

FIG. 9 shows a rear view of the tensioning device.

The broken lines depict portions of the tensioning device in which the design is embodied that are not considered part of the claimed design.

1 Claim, 6 Drawing Sheets



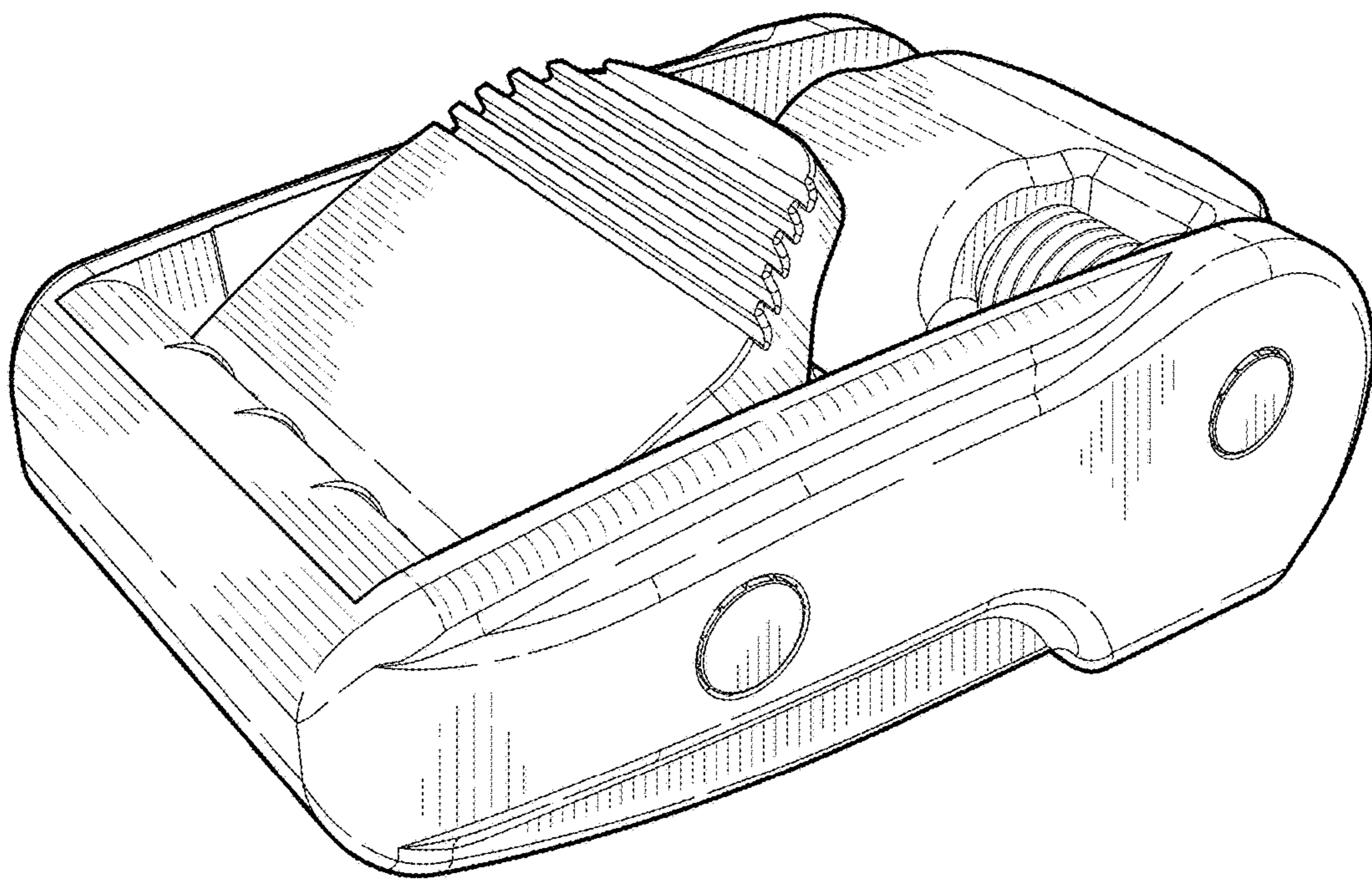


FIG. 1

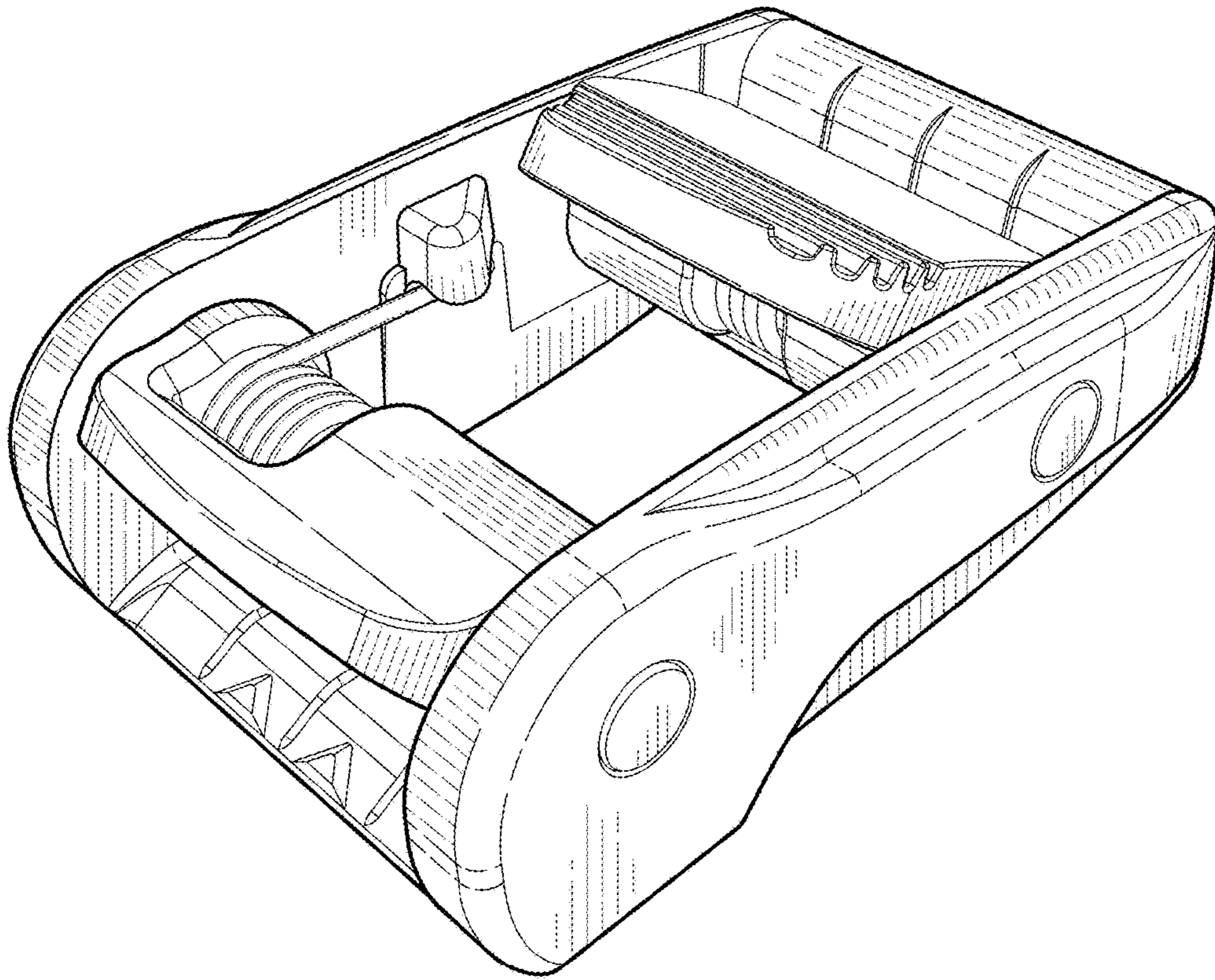


FIG. 2

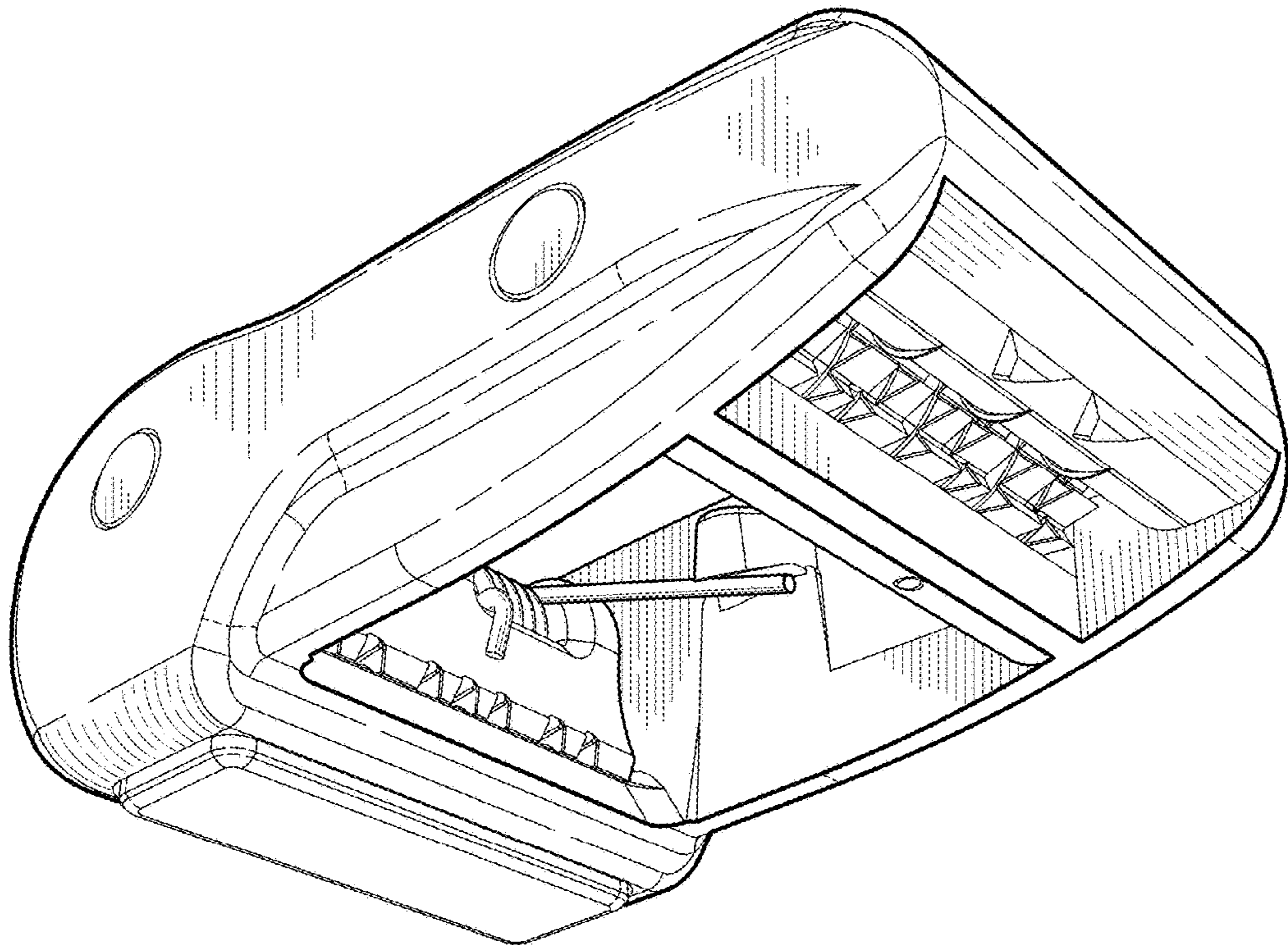


FIG. 3

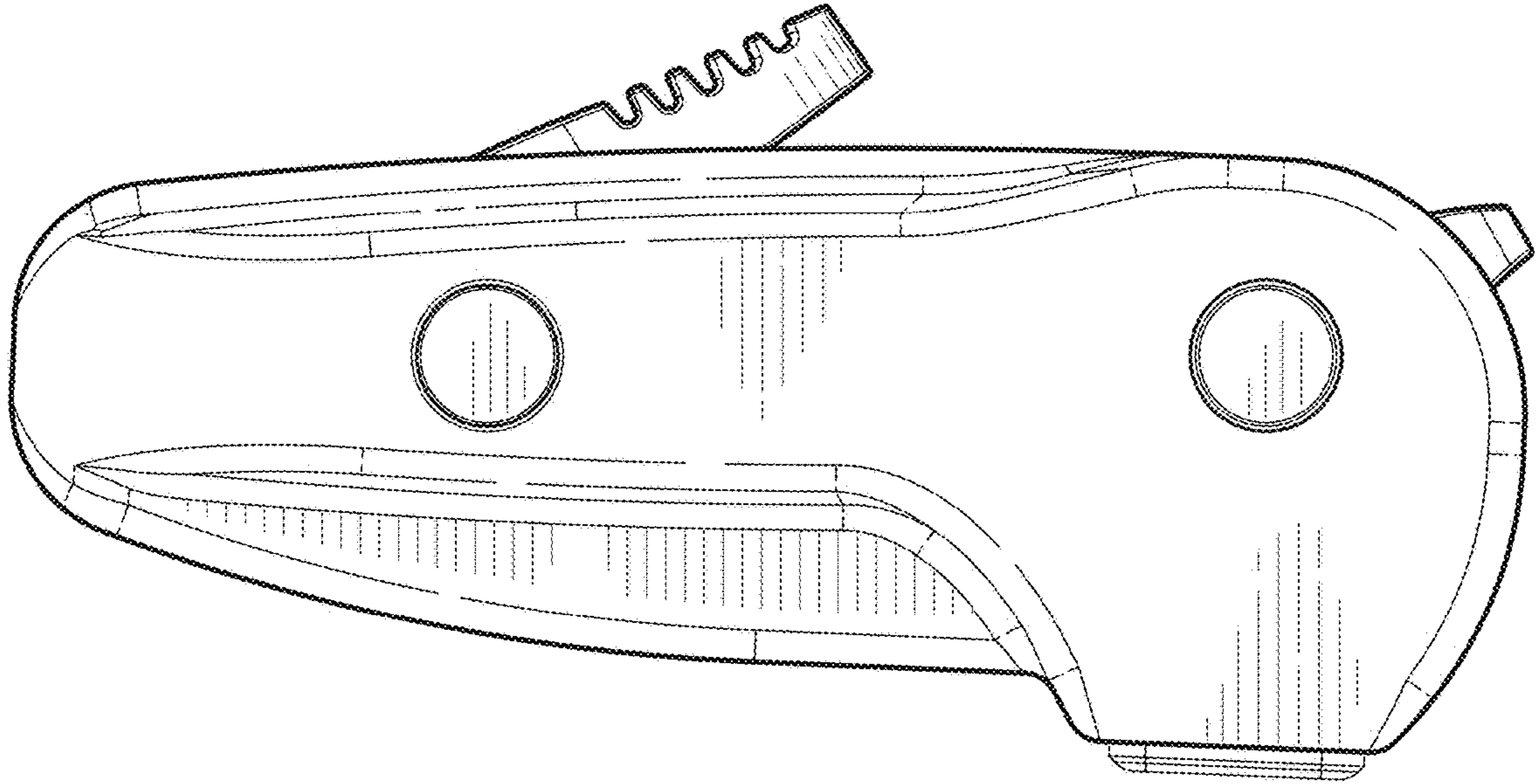


FIG. 4

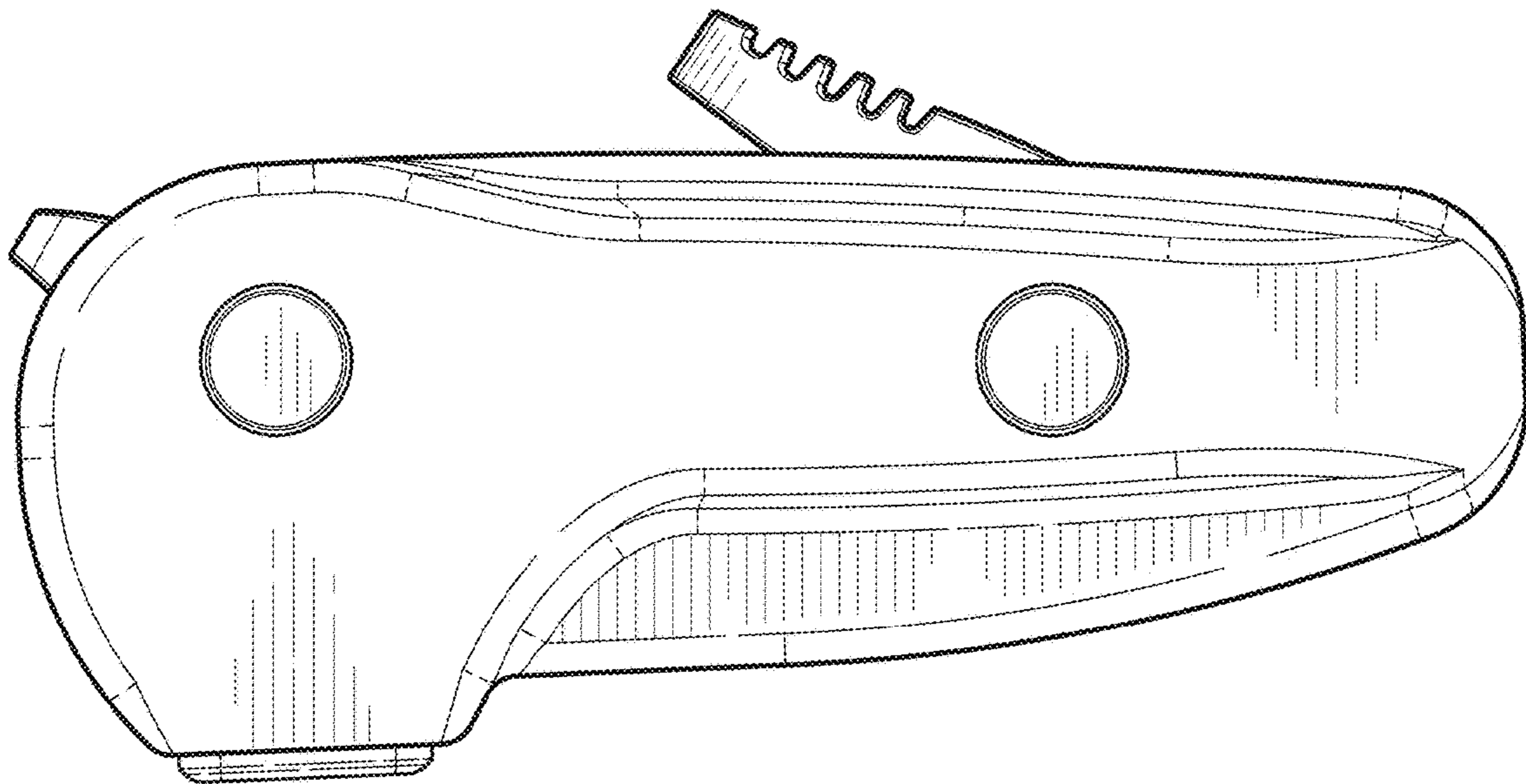


FIG. 5

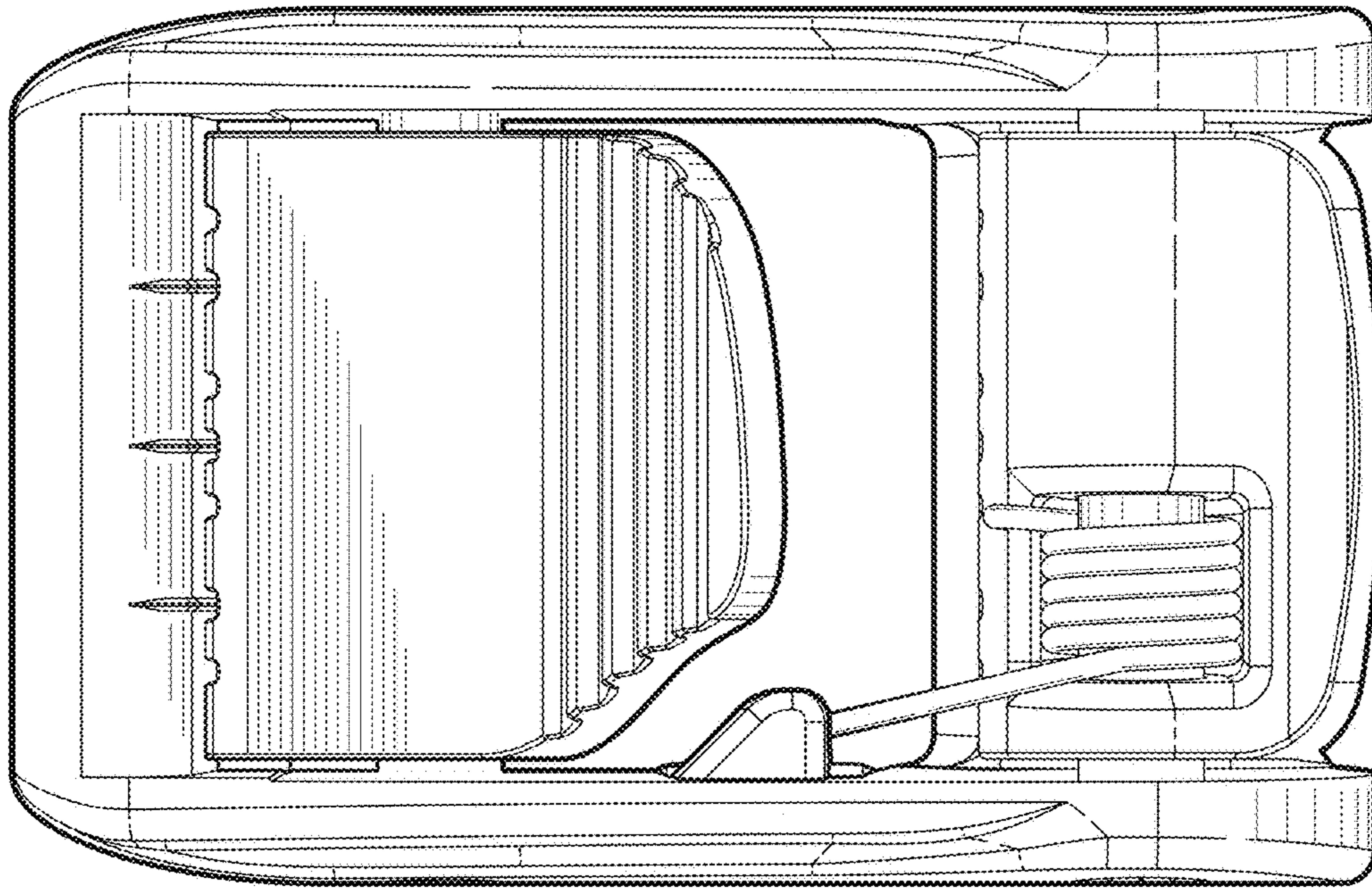


FIG. 6

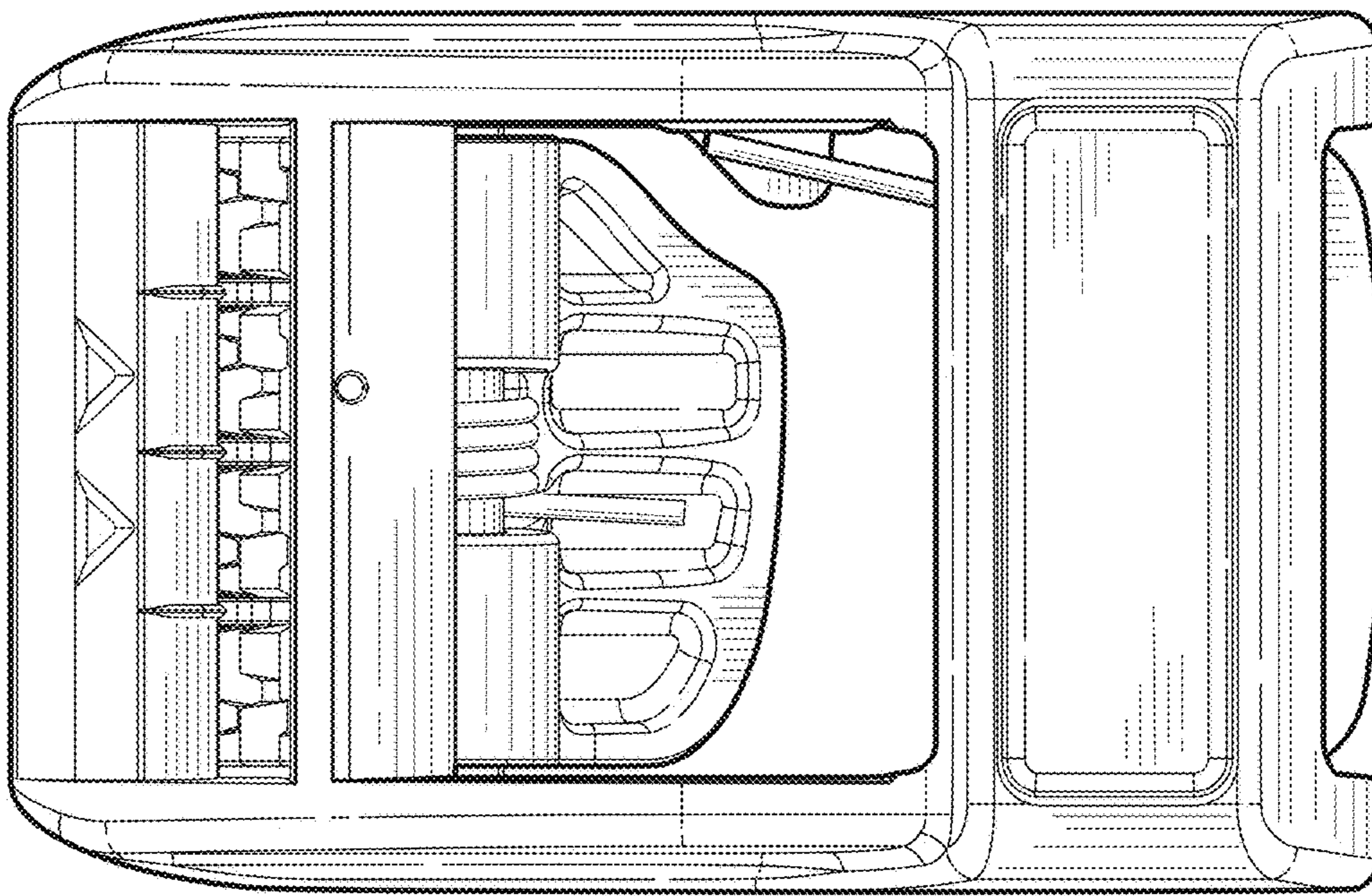


FIG. 7

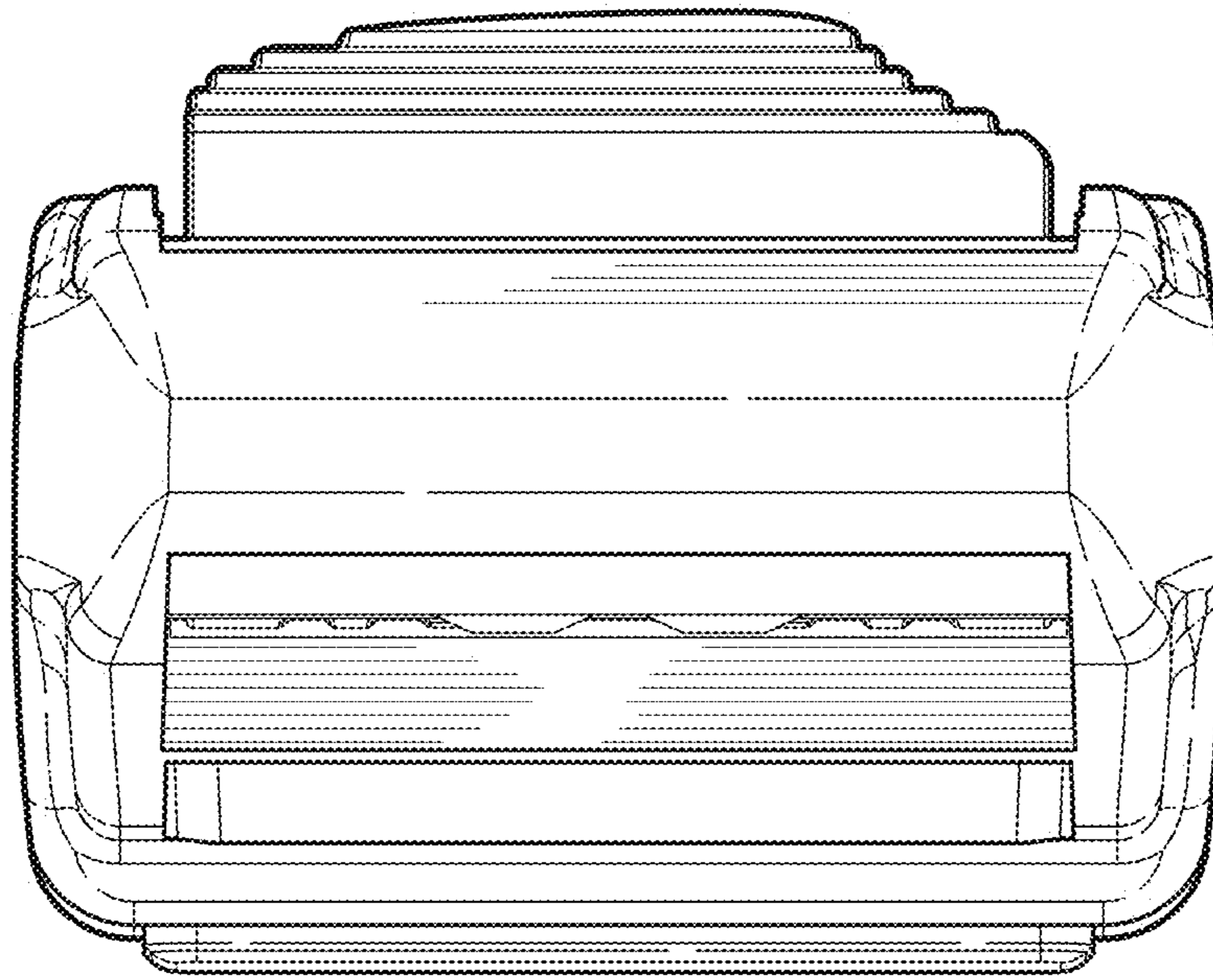


FIG. 8

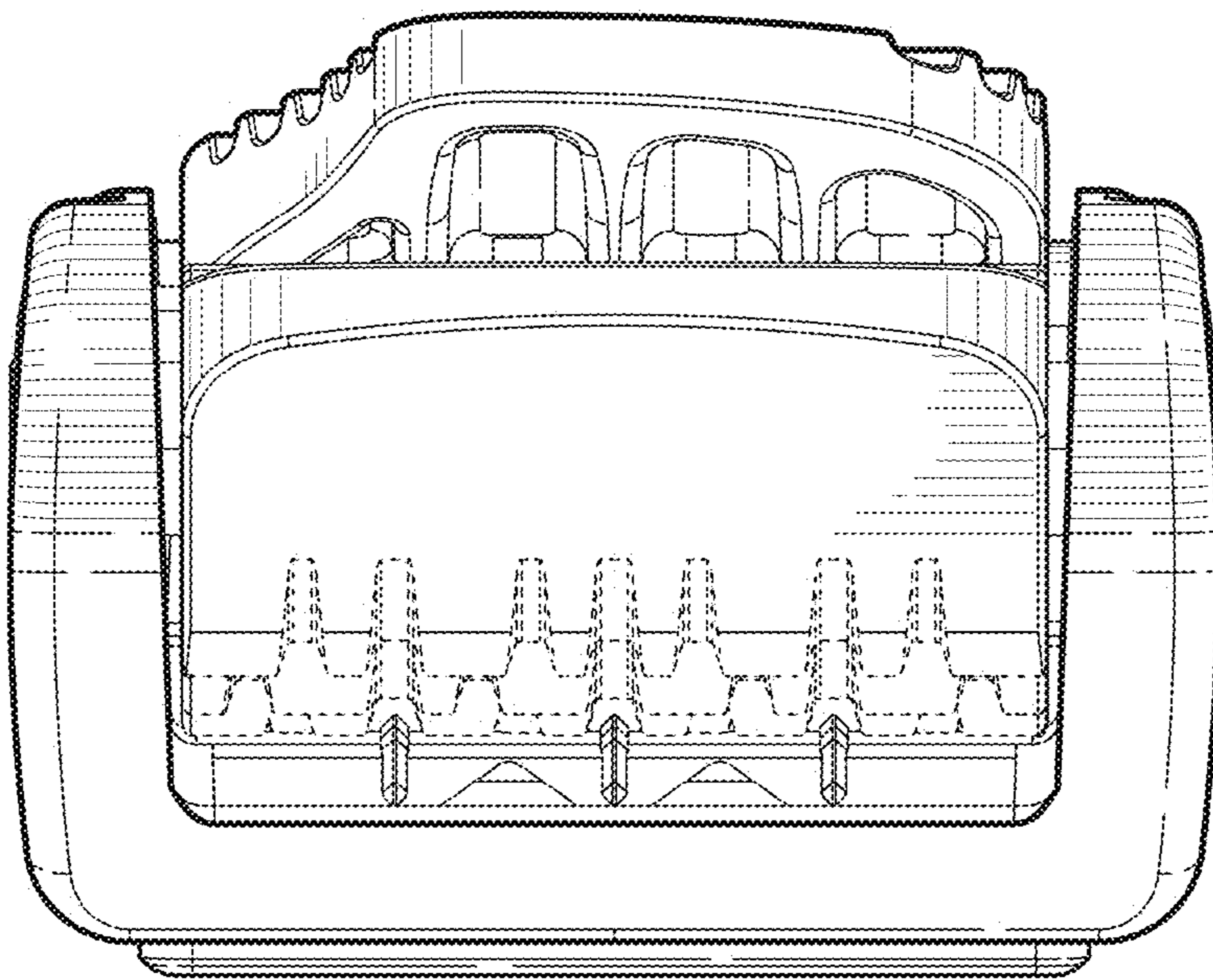


FIG. 9