

US00D856767S

(12) **United States Design Patent** (10) **Patent No.:** **US D856,767 S**
Cai (45) **Date of Patent:** **** Aug. 20, 2019**

(54) **T-TYPE WRENCH**

(71) Applicant: **AUTEL INTELLIGENT TECHNOLOGY CORP., LTD.**,
Shenzhen, Guangdong (CN)

(72) Inventor: **Zhenyu Cai**, Guangdong (CN)

(73) Assignee: **AUTEL INTELLIGENT TECHNOLOGY CORP., LTD.**,
Shenzhen, Guangdong (CN)

(**) Term: **15 Years**

(21) Appl. No.: **29/654,489**

(22) Filed: **Jun. 25, 2018**

(30) **Foreign Application Priority Data**

Dec. 25, 2017 (CN) 2017 3 0666503

(51) **LOC (12) Cl.** **08-05**

(52) **U.S. Cl.**
USPC **D8/21**

(58) **Field of Classification Search**
USPC D8/25, 60, 97, 107; 16/110.1; 81/467,
81/476, 478, 480, 177.1, 177.85, 121.1,
81/124.3, 165-170, 110.1, 176.2, 124.6,
81/176.1, 176.15, 436, 177.2, 186;
192/44, 45, 54.52; D24/133, 145, 147;
606/54, 59, 62, 63, 60, 64
CPC .. B25G 1/00; B25B 1/00; B25B 13/00; B25B
23/00

See application file for complete search history.

(56) **References Cited**

U.S. PATENT DOCUMENTS

2,719,042 A *	9/1955	Espy	B25G 1/005 81/177.2
D399,107 S *	10/1998	Murray	D8/31
D486,723 S *	2/2004	Chang	D8/21
D596,471 S *	7/2009	Huang	D8/21
7,603,931 B1 *	10/2009	Powell	B25B 15/008 81/177.2
D613,139 S *	4/2010	Lai	D8/21
D668,921 S *	10/2012	Fossum	D8/21

* cited by examiner

Primary Examiner — Randall H Gholson

(74) *Attorney, Agent, or Firm* — Ladas & Parry LLP

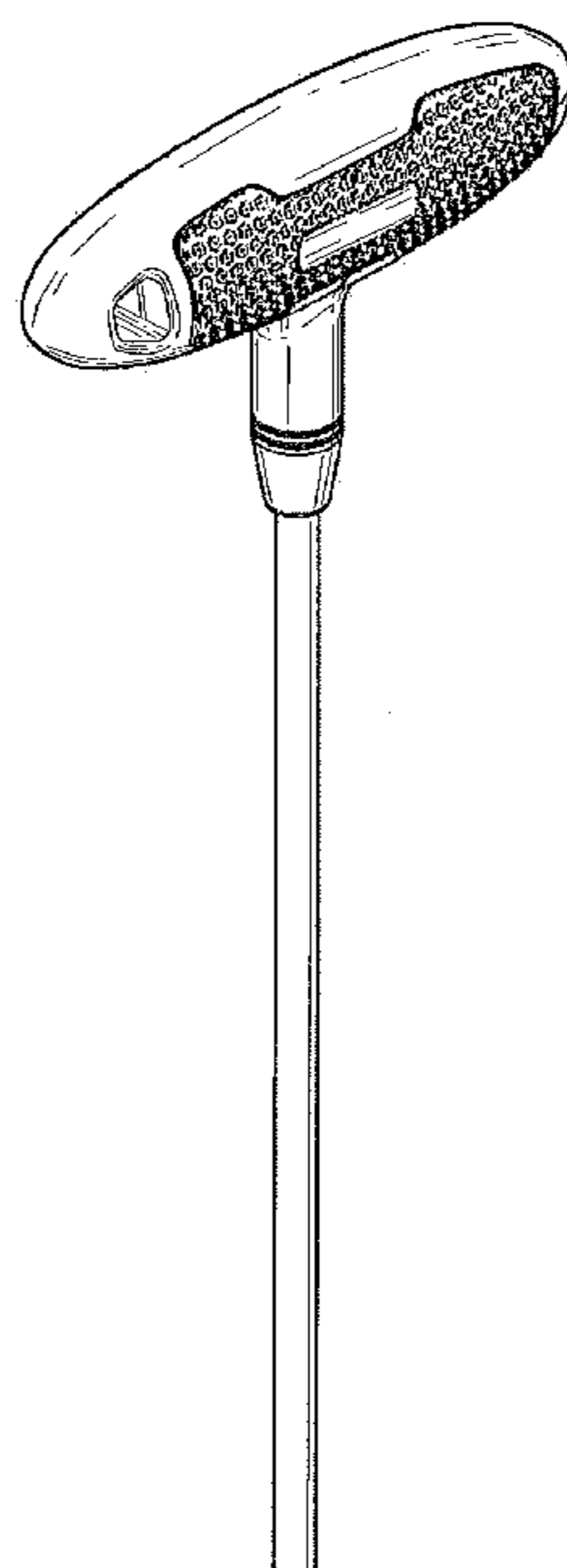
(57) **CLAIM**

The ornamental design for a T-type wrench, as shown and described.

DESCRIPTION

FIG. 1 is a perspective view of a T-type wrench showing our new design;
FIG. 2 is another perspective view thereof;
FIG. 3 is a front elevational view thereof;
FIG. 4 is a rear elevational view thereof;
FIG. 5 is a left side elevational view thereof;
FIG. 6 is a right side elevational view thereof;
FIG. 7 is a top plan view thereof; and,
FIG. 8 is a bottom plan view thereof.

1 Claim, 7 Drawing Sheets



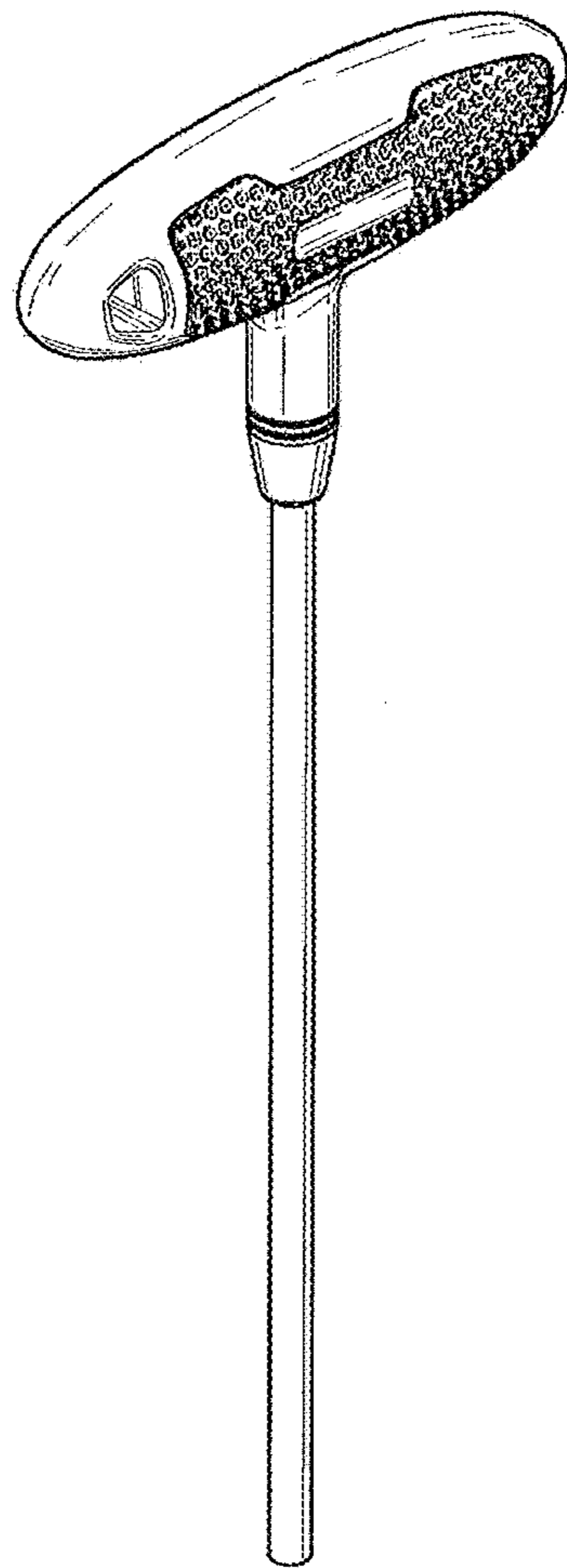


FIG. 1

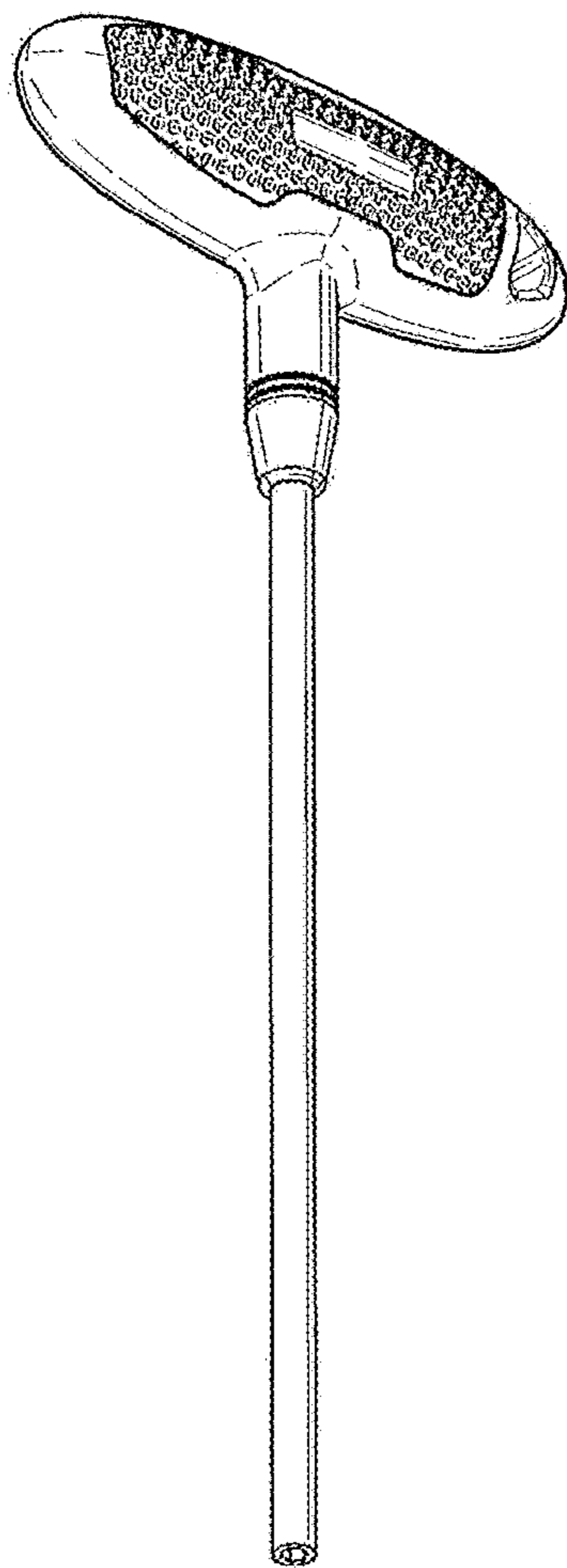


FIG. 2

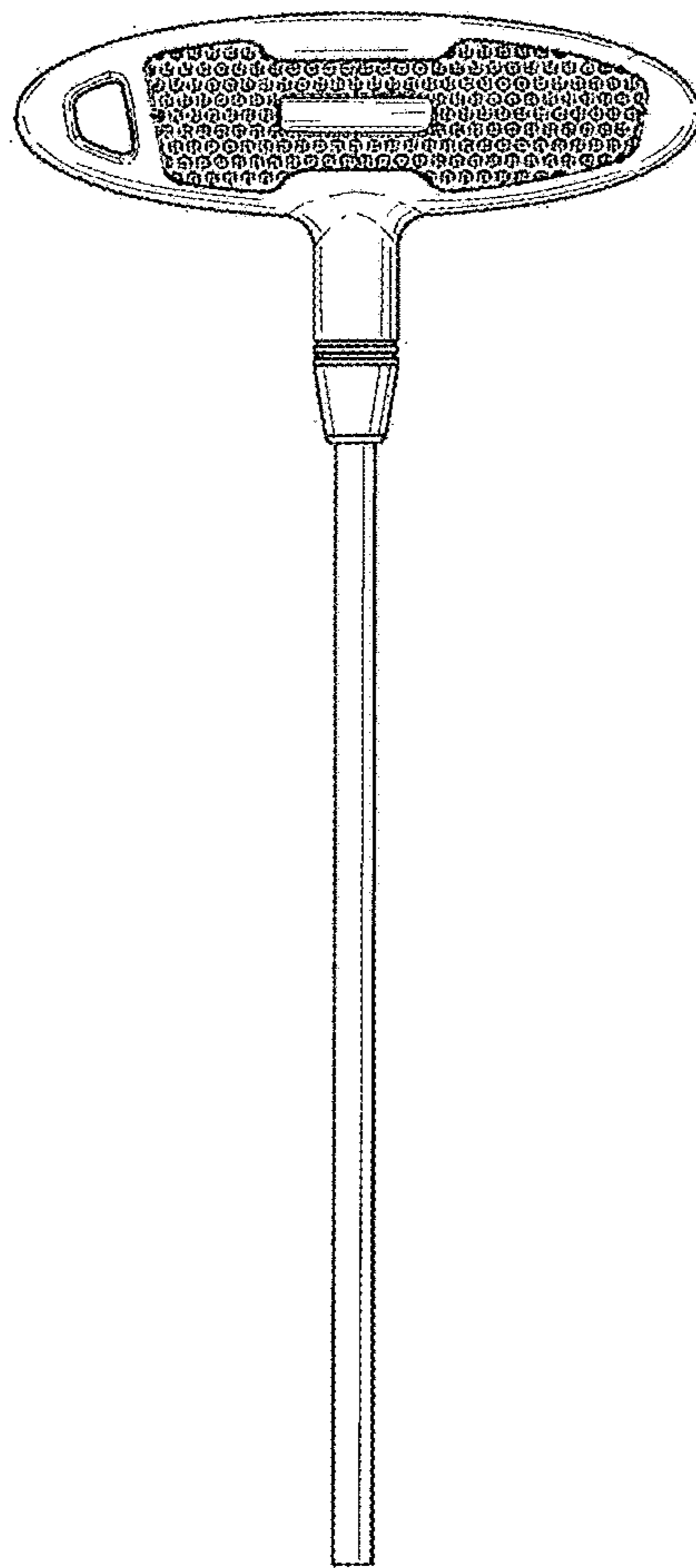


FIG. 3

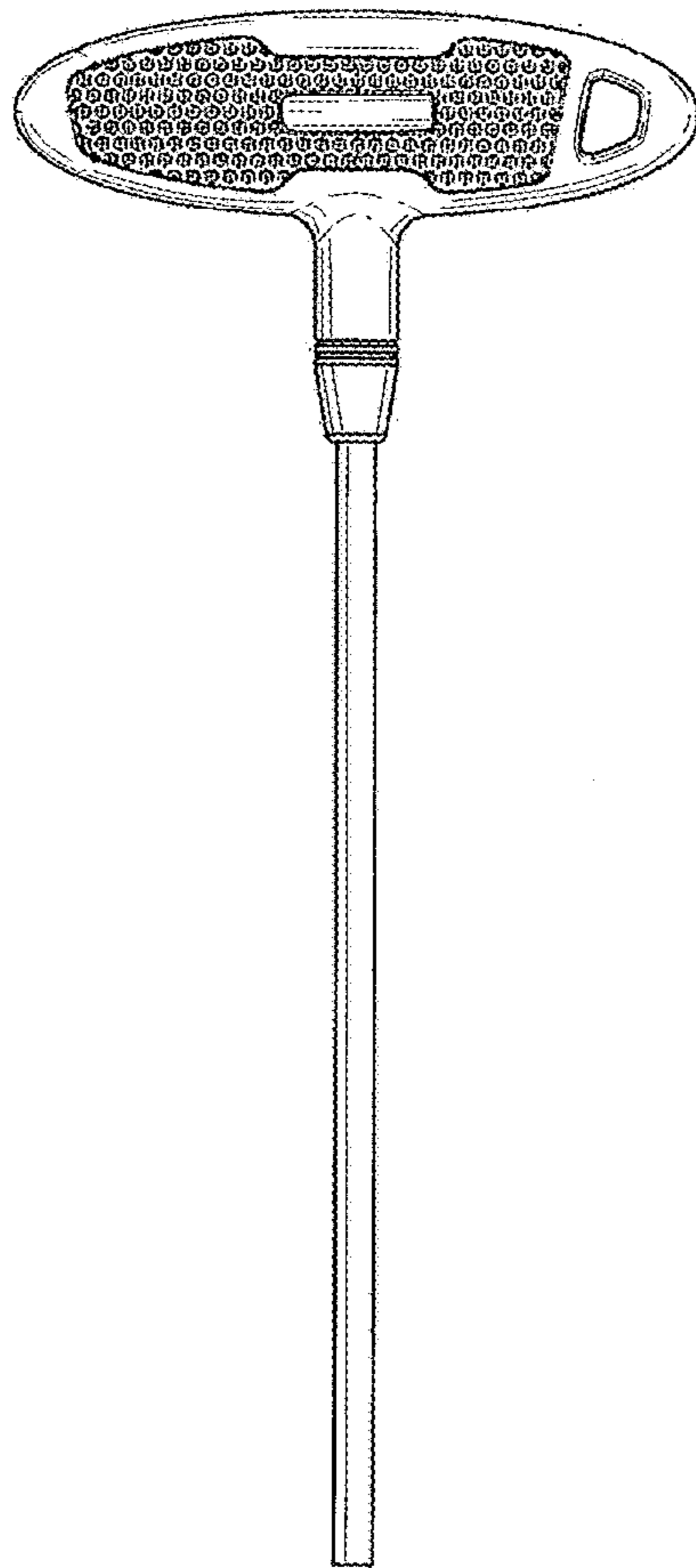


FIG. 4

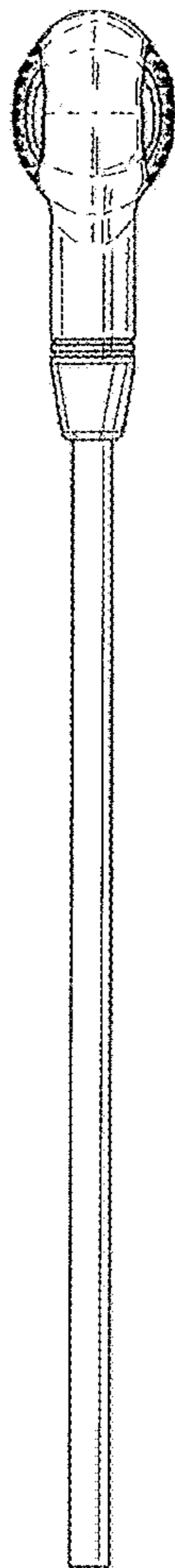


FIG. 5

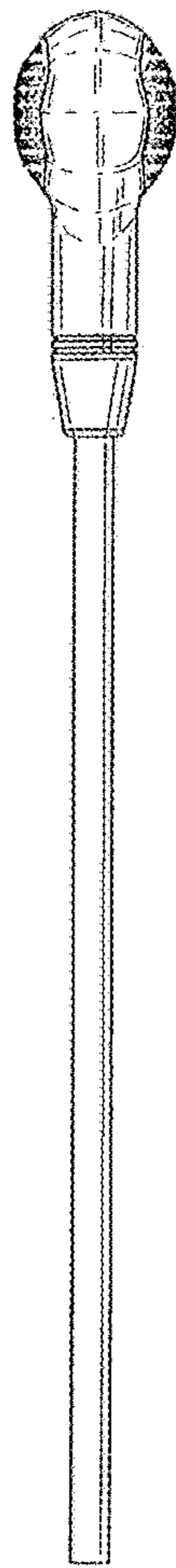


FIG. 6

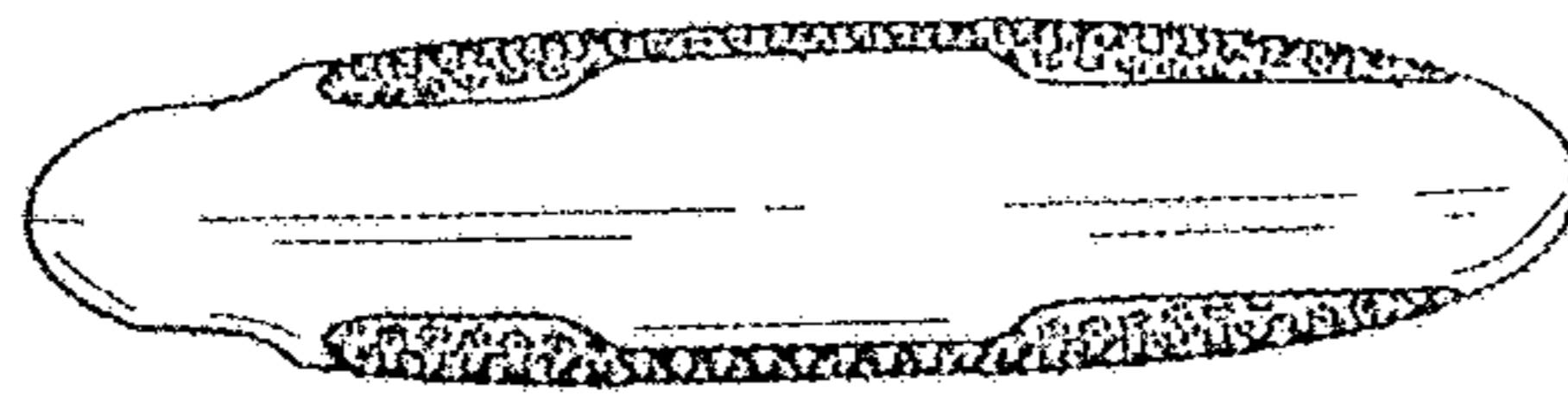


FIG. 7

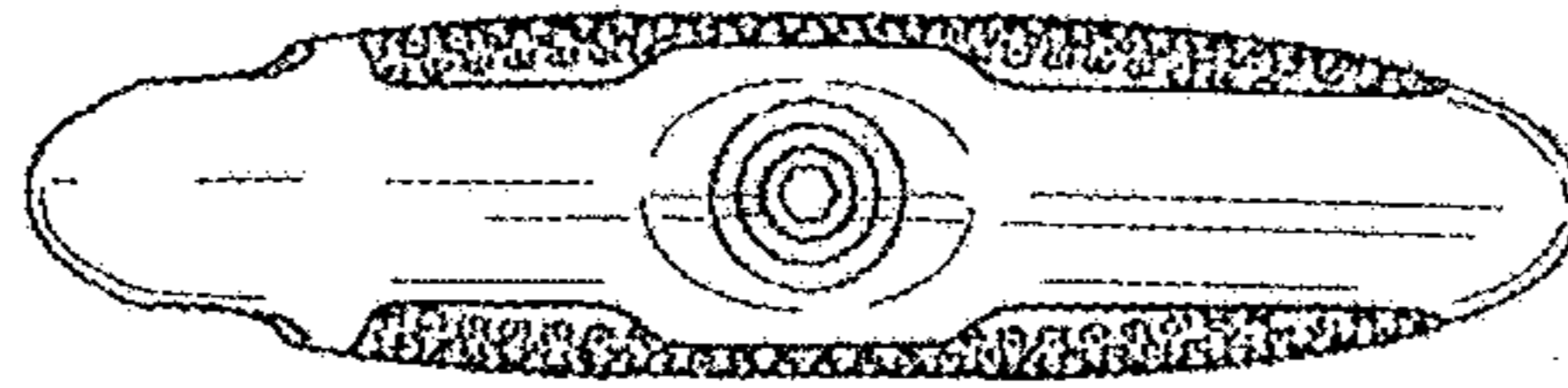


FIG. 8