



US00D856765S

(12) **United States Design Patent**  
**Lefebvre et al.**

(10) **Patent No.:** **US D856,765 S**  
(45) **Date of Patent:** **\*\* Aug. 20, 2019**

(54) **PARTICULATE MATERIAL SPREADER**  
(71) Applicant: **PREMIER TECH TECHNOLOGIES**  
**LTÉE, Rivière-du-Loup (CA)**  
(72) Inventors: **Paul Lefebvre, Durham (CA); Robert**  
**Cayer, Mississauga (CA); Rita Biello,**  
**Pierrefonds (CA); Jérôme Frédéric**  
**Bouchard, St-André-de-Kamouraska**  
**(CA); Michel E. Guay, Montréal (CA);**  
**Karine Langelier-Savard,**  
**Notre-Dame-du-Portage (CA); Benoît**  
**Orban, Saint-Lambert (CA); François**  
**Gaucher, Beloeil (CA); Manuel**  
**Léveillé, Montréal (CA); Mario**  
**Gagnon, Montréal (CA); Pierre Talbot,**  
**Notre-Dame-du-Portage (CA)**

3,907,212 A \* 9/1975 Ullom ..... A01C 15/02  
222/505  
4,027,788 A \* 6/1977 Parker ..... A01C 7/02  
222/486  
4,106,704 A \* 8/1978 McRoskey ..... A01C 15/02  
222/625  
4,273,264 A \* 6/1981 Legg ..... A01B 69/022  
111/33

(Continued)

**FOREIGN PATENT DOCUMENTS**

CA 1251485 3/1989  
CA 2445794 11/2002

(Continued)

*Primary Examiner* — Sheryl Lane  
(74) *Attorney, Agent, or Firm* — Bookoff McAndrews,  
PLLC

(73) Assignee: **PREMIER TECH TECHNOLOGIES**  
**LTÉE, Rivière-du-Loup, Québec (CA)**

(57) **CLAIM**

The ornamental design for a particulate material spreader, as shown and described.

(\*\*) Term: **15 Years**

(21) Appl. No.: **29/600,373**

**DESCRIPTION**

(22) Filed: **Apr. 12, 2017**

(51) **LOC (12) Cl.** ..... **08-01**

(52) **U.S. Cl.**  
USPC ..... **D8/2**

(58) **Field of Classification Search**  
USPC ..... D21/840; D15/11, 13, 14, 16, 18, 21;  
D8/2  
CPC ..... A01G 29/00; A01C 17/008; A01C 15/02  
See application file for complete search history.

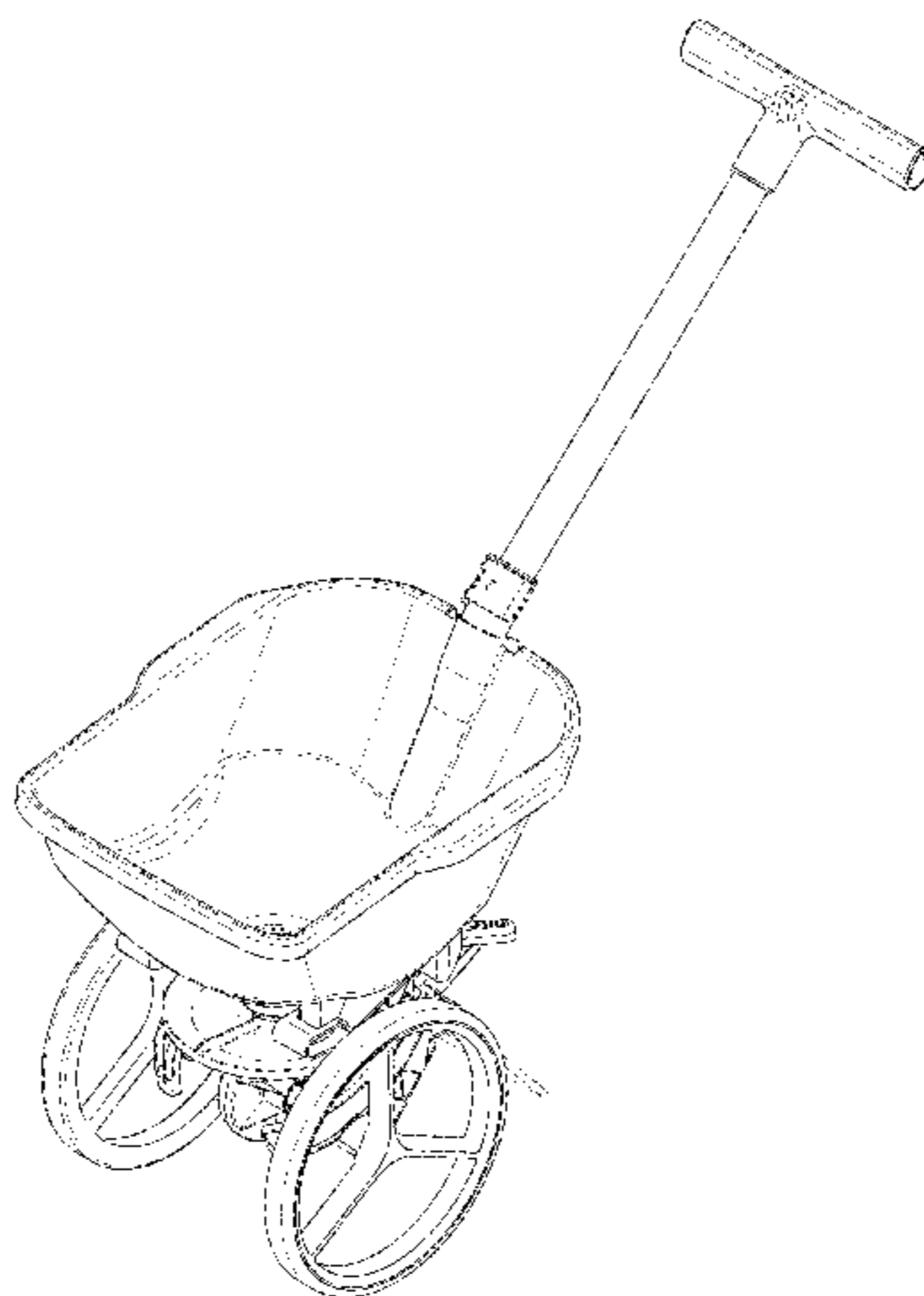
FIG. 1 is a perspective view of a particulate material spreader;  
FIG. 2 is a front elevation view of the particulate material spreader shown in FIG. 1;  
FIG. 3 is rear elevation view of the particulate material spreader shown in FIG. 1;  
FIG. 4 is a left-side elevation view of the particulate material spreader shown in FIG. 1;  
FIG. 5 is a right-side elevation view of the particulate material spreader shown in FIG. 1;  
FIG. 6 is a top plan view of the particulate material spreader shown in FIG. 1; and,  
FIG. 7 is a bottom plan view of the particulate material spreader shown in FIG. 1.  
The broken lines represent portions of the particulate material spreader, and form no part of the claimed design.

(56) **References Cited**

**U.S. PATENT DOCUMENTS**

2,886,934 A \* 5/1959 Jepson ..... A01D 34/475  
180/19.3  
2,973,884 A \* 3/1961 West ..... A01C 7/085  
222/560

**1 Claim, 7 Drawing Sheets**



(56)

**References Cited**

U.S. PATENT DOCUMENTS

4,580,730	A *	4/1986	Amerine .....	A01C 17/00 239/683
D284,666	S *	7/1986	Amerine .....	D15/13
4,867,381	A	9/1989	Speicher	
D338,894	S *	8/1993	Simpson .....	D15/13
5,485,963	A *	1/1996	Walto .....	A01C 15/02 222/623
D371,780	S *	7/1996	Havlovitz .....	D15/13
D373,367	S *	9/1996	Havlovitz .....	D15/13
D376,155	S *	12/1996	Havlovitz .....	D15/13
D384,679	S *	10/1997	Havlovitz .....	D15/13
D413,903	S *	9/1999	Spear .....	D15/13
D413,904	S *	9/1999	Spear .....	D15/13
6,135,036	A	10/2000	Speicher, III et al.	
6,142,397	A *	11/2000	Clay .....	A01C 15/02 239/684
6,945,481	B2	9/2005	Thompson et al.	
9,192,094	B2 *	11/2015	Kendall .....	B05B 7/1404
D829,773	S *	10/2018	Stewart .....	D15/13
2002/0162907	A1	11/2002	Courtney et al.	
2006/0118652	A1	6/2006	Hickenbottom et al.	
2015/0059517	A1	3/2015	Calloway	
2015/0315759	A1	11/2015	Delorme et al.	

FOREIGN PATENT DOCUMENTS

GB	984208	2/1965
WO	2013063438 A2	5/2013

\* cited by examiner

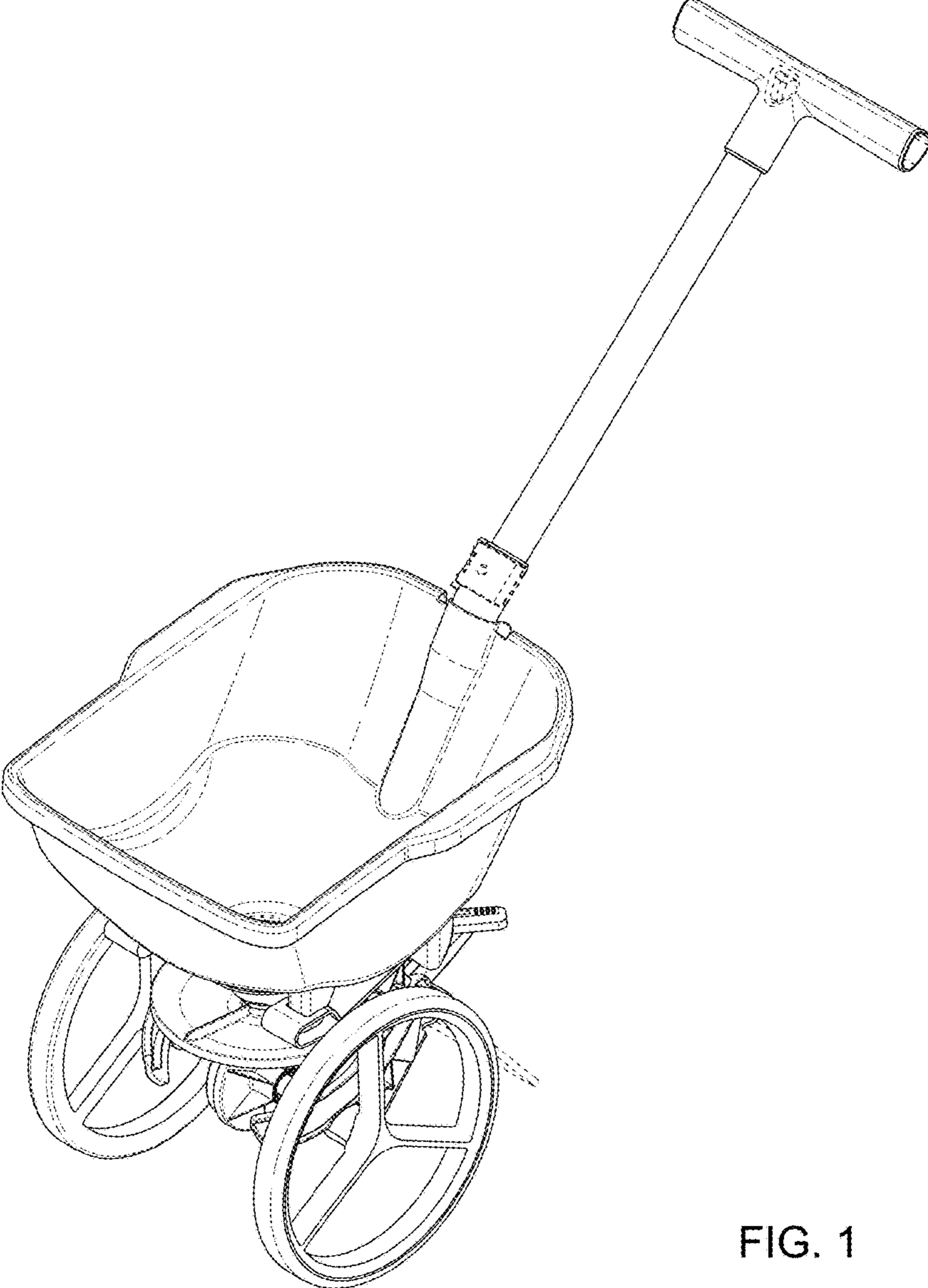


FIG. 1

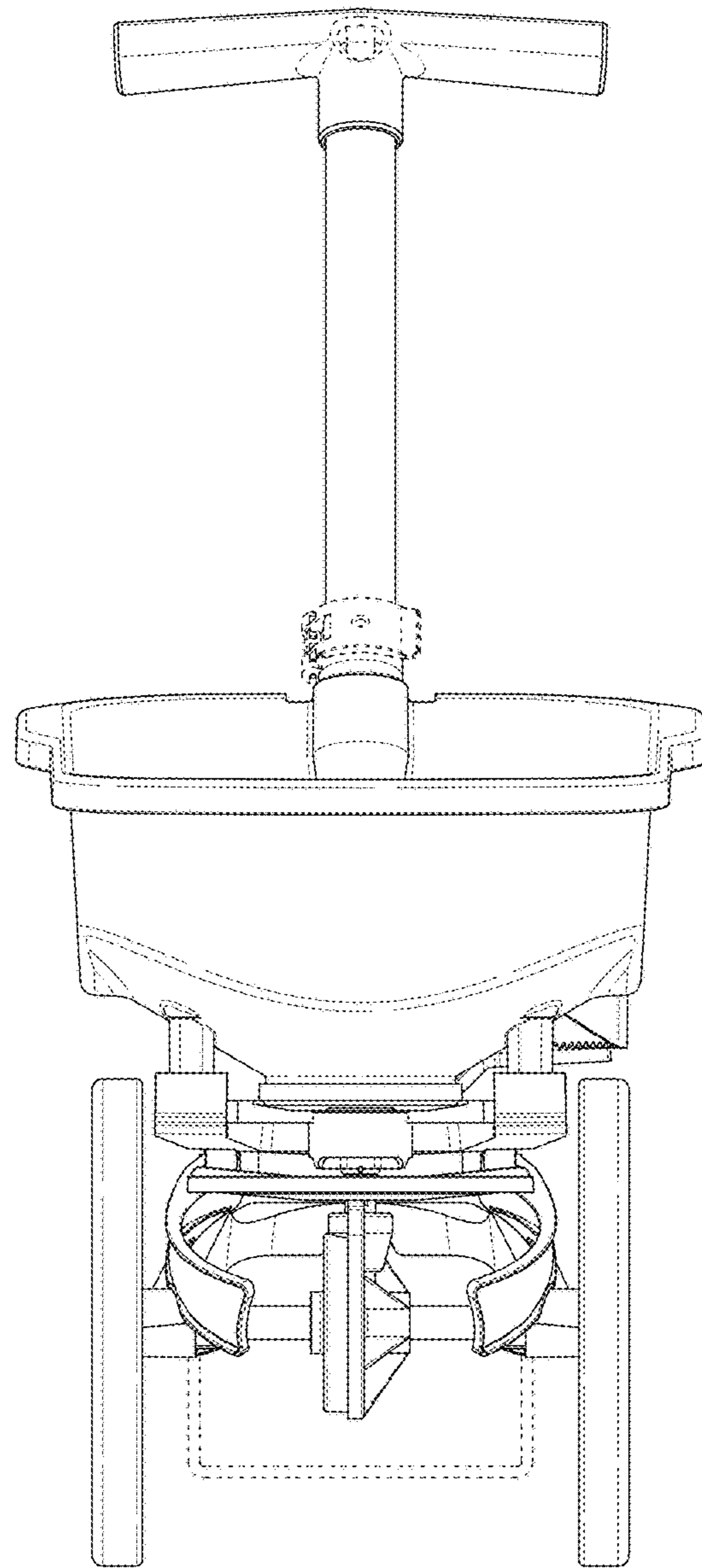


FIG. 2

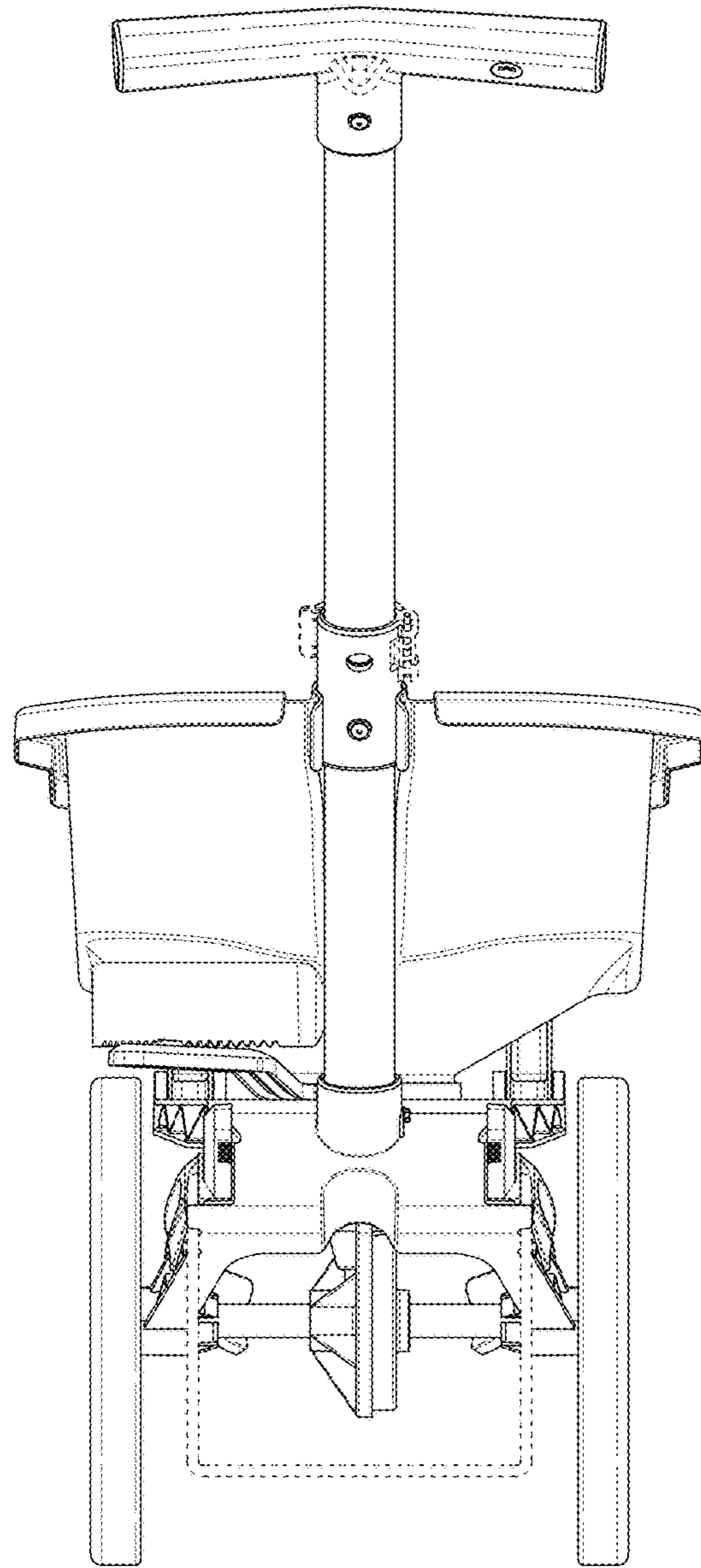


FIG. 3

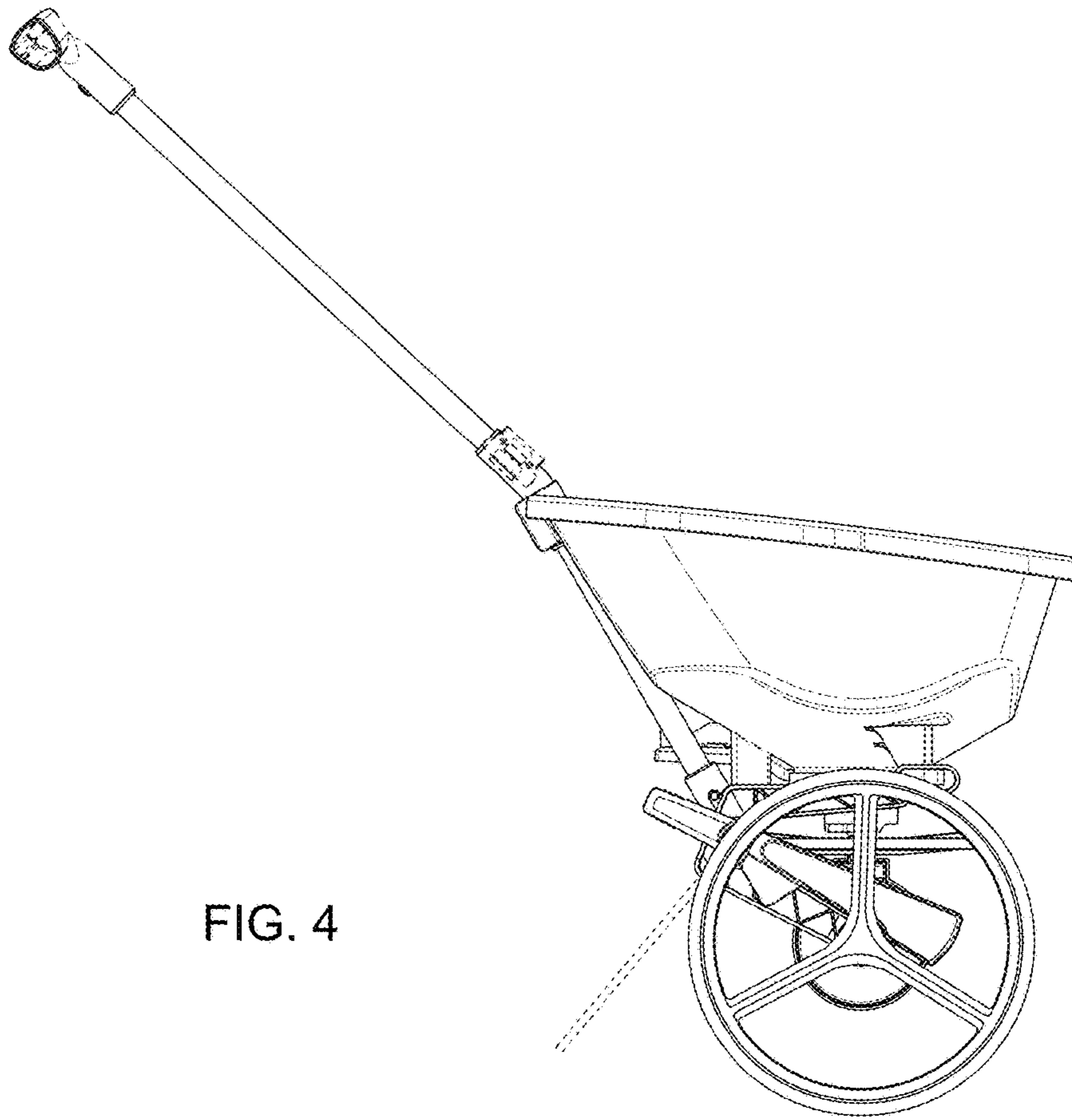


FIG. 4

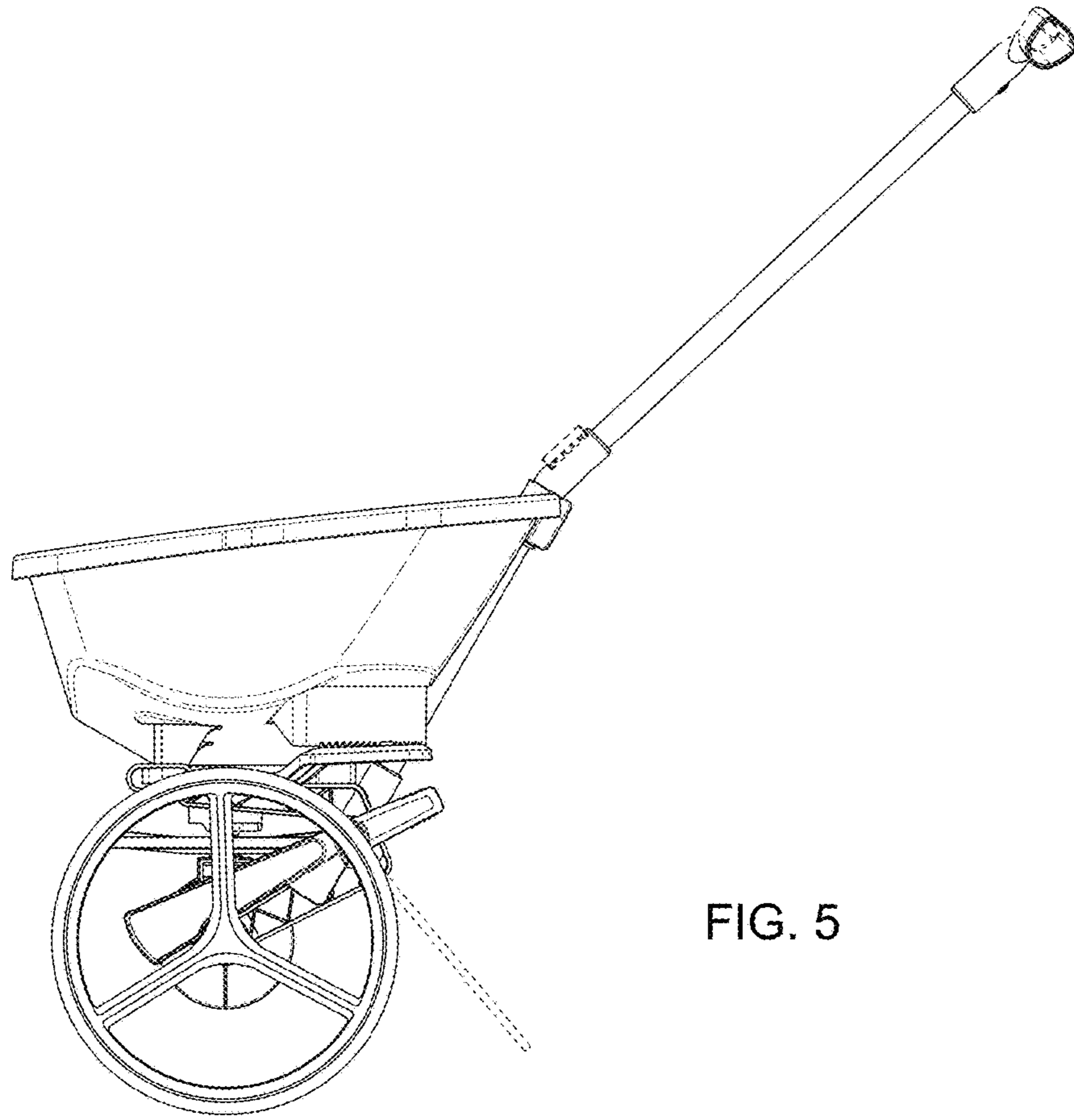


FIG. 5

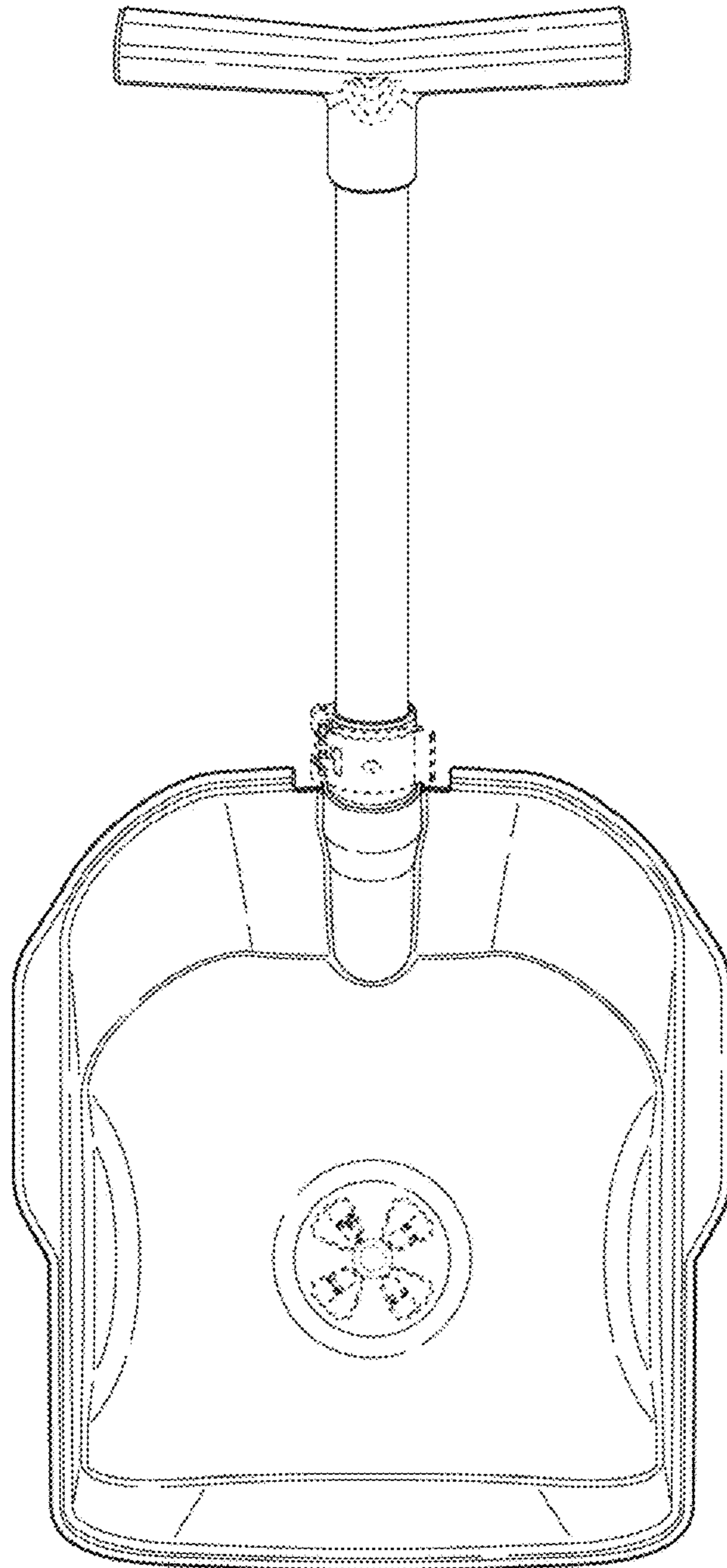


FIG. 6



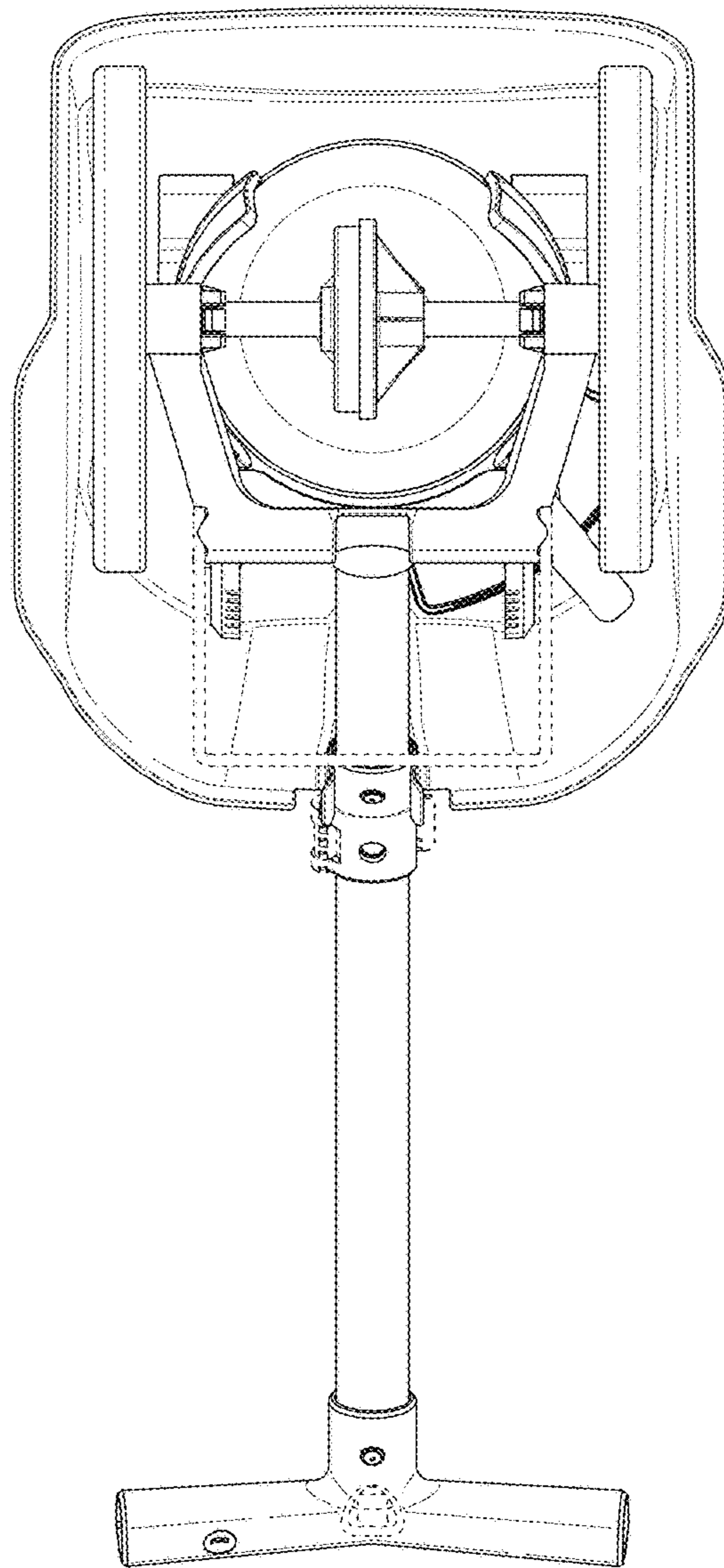


FIG. 7