



US00D856761S

(12) **United States Design Patent** (10) **Patent No.:** **US D856,761 S**  
**Sorice** (45) **Date of Patent:** **\*\* Aug. 20, 2019**

(54) **CUTTING BOARD**

(71) Applicant: **Carnivore Cutting Boards Corp.**,  
Melbourne, FL (US)

(72) Inventor: **Alexander Sorice**, Melbourne, FL (US)

(73) Assignee: **CARNIVORE CUTTING BOARDS  
CORP.**, Melbourne, FL (US)

(\*\*) Term: **15 Years**

(21) Appl. No.: **29/648,735**

(22) Filed: **May 23, 2018**

(51) **LOC (12) Cl.** ..... **07-04**

(52) **U.S. Cl.**  
USPC ..... **D7/698**

(58) **Field of Classification Search**  
USPC ..... D7/388, 543, 549, 550.1, 554.2, 586,  
D7/698-699; D32/55-57  
CPC ..... A47J 47/00; A47J 47/005; A47J 47/20;  
B26D 7/0006; B26D 7/018; B26D 7/20;  
B23D 21/00; B23K 37/04; B23K 37/053;  
B23Q 16/001  
See application file for complete search history.

(56) **References Cited**

**U.S. PATENT DOCUMENTS**

D382,445 S *	8/1997	Indekeu	.....	A47J 47/005
				D7/545
D412,815 S *	8/1999	Porter	.....	D7/698
6,422,551 B1 *	7/2002	Brotz	.....	A47J 47/005
				269/13
D464,237 S *	10/2002	Kaposi	.....	D7/698
D543,423 S *	5/2007	Benson	.....	D7/698
D556,522 S *	12/2007	Martinez	.....	D7/698
D571,167 S *	6/2008	McCammon	.....	D7/698
D615,826 S *	5/2010	Tsui	.....	D7/698
D616,700 S *	6/2010	Pourounidis	.....	D7/388
D682,634 S *	5/2013	Datavs	.....	D7/698

D723,882 S *	3/2015	Khuu	.....	A47J 47/005
				D7/698
D740,084 S *	10/2015	Schmitt	.....	D7/698
2004/0119220 A1 *	6/2004	Davis	.....	A47J 47/005
				269/289 R

\* cited by examiner

*Primary Examiner* — Ricky Pham

(74) *Attorney, Agent, or Firm* — Mark Malek; Widerman Malek, PL

(57) **CLAIM**

The ornamental design for a cutting board, as shown and described.

**DESCRIPTION**

FIG. 1 is a perspective view of a cutting board according to the present invention.

FIG. 2 is a front elevation view of the cutting board illustrated in FIG. 1.

FIG. 3 is a rear elevation view of the cutting board illustrated in FIG. 1.

FIG. 4 is a side elevation view of the cutting board illustrated in FIG. 1.

FIG. 5 is another side elevation view of the cutting board illustrated in FIG. 1.

FIG. 6 is a top plan view of the cutting board illustrated in FIG. 1.

FIG. 7 is a bottom plan view of the cutting board illustrated in FIG. 1.

FIG. 8 is a sectional view of the cutting board illustrated in FIG. 1 and taken through line 8-8 in FIG. 6.

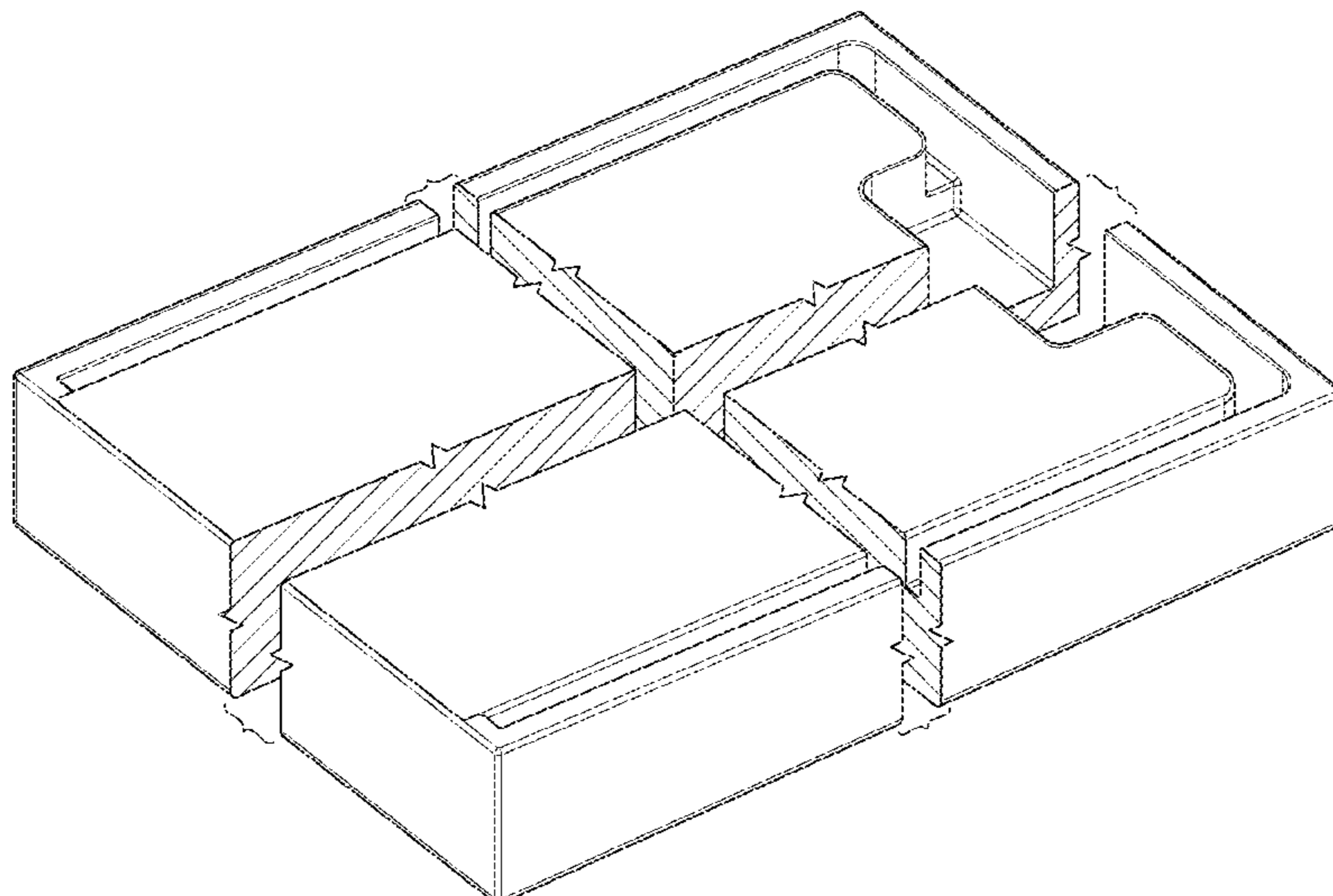
FIG. 9 is a sectional view of the cutting board illustrated in FIG. 1 and taken through line 9-9 in FIG. 6.

FIG. 10 is a sectional view of the cutting board illustrated in FIG. 1 and taken through line 10-10 in FIG. 6; and,

FIG. 11 is a sectional view of the cutting board illustrated in FIG. 1 and taken through line 11-11 in FIG. 6.

The broken away symbols in the drawings indicate the appearance of any portion of the article between the break lines forms no part of the claimed design.

**1 Claim, 6 Drawing Sheets**



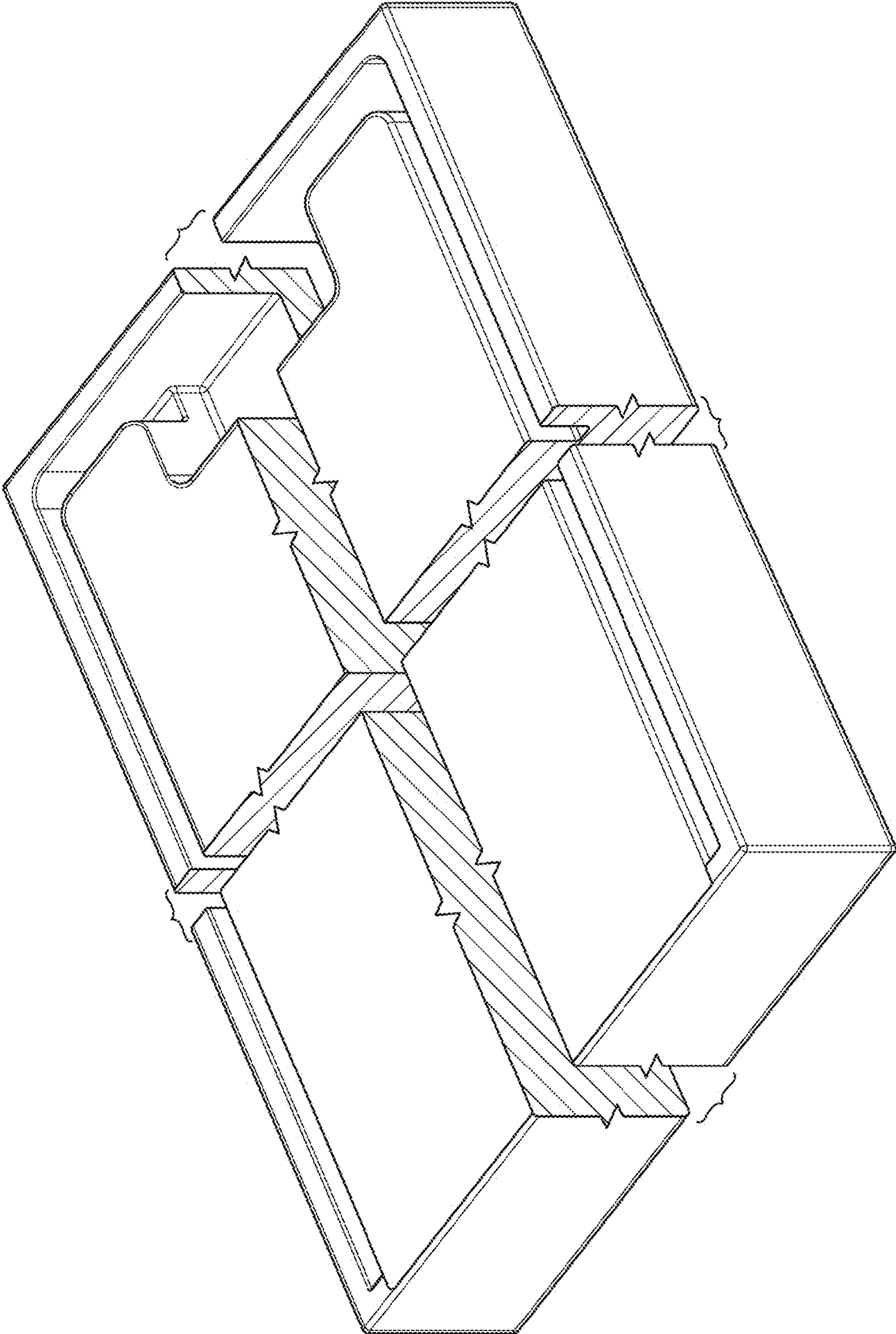


FIG. 1

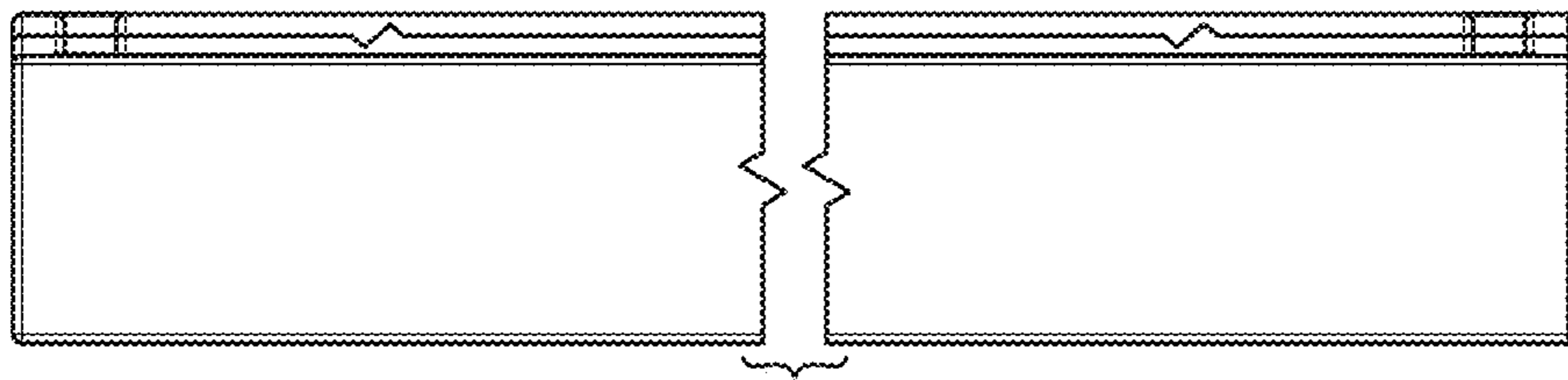


FIG. 2

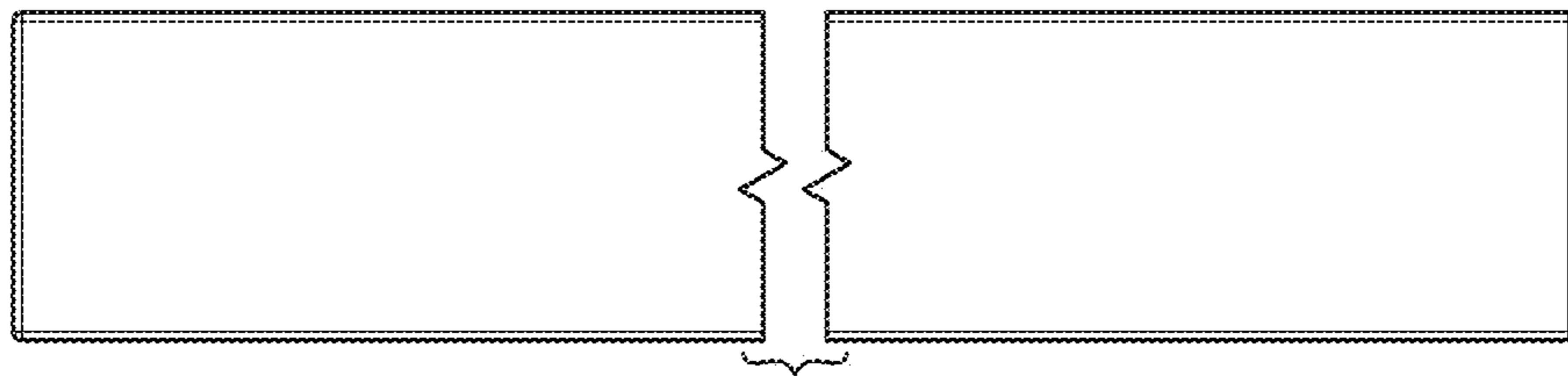


FIG. 3

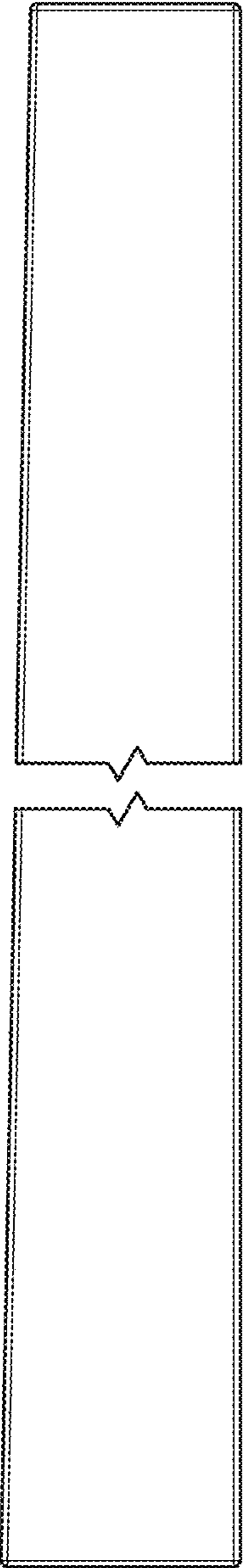


FIG. 4

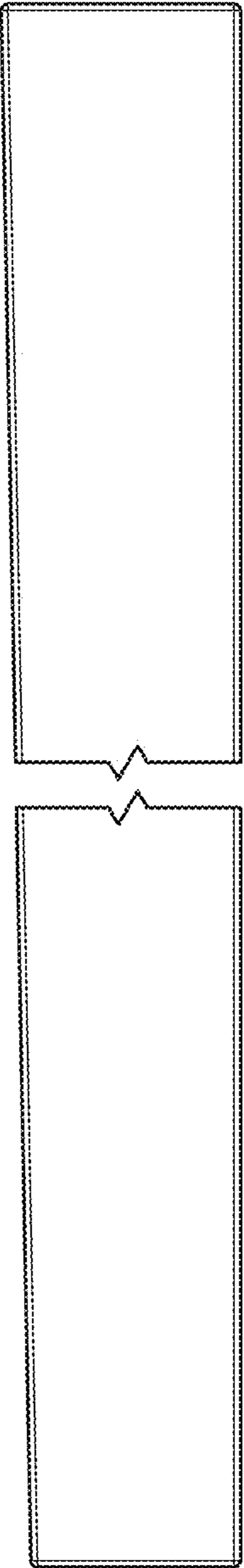


FIG. 5



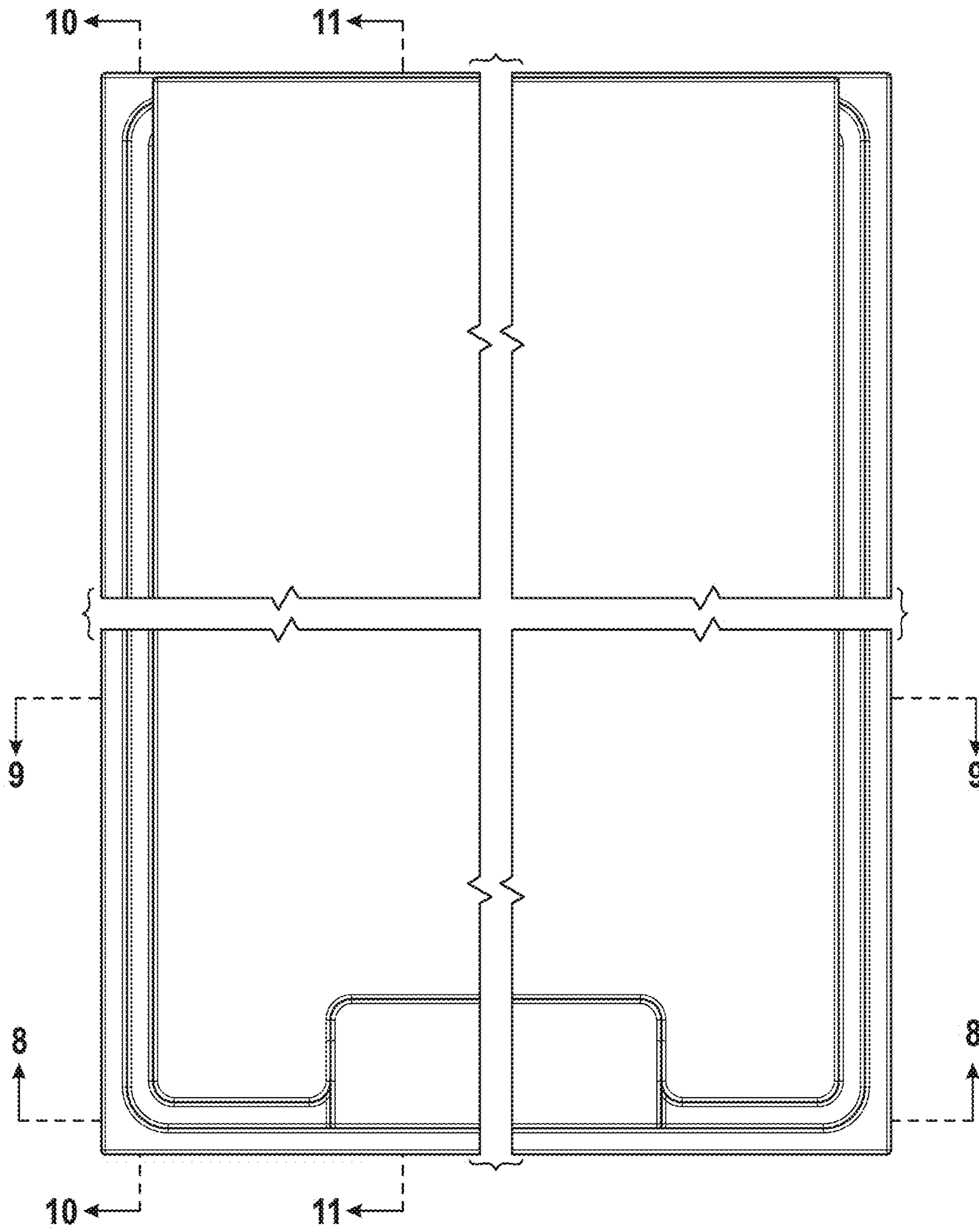


FIG. 6

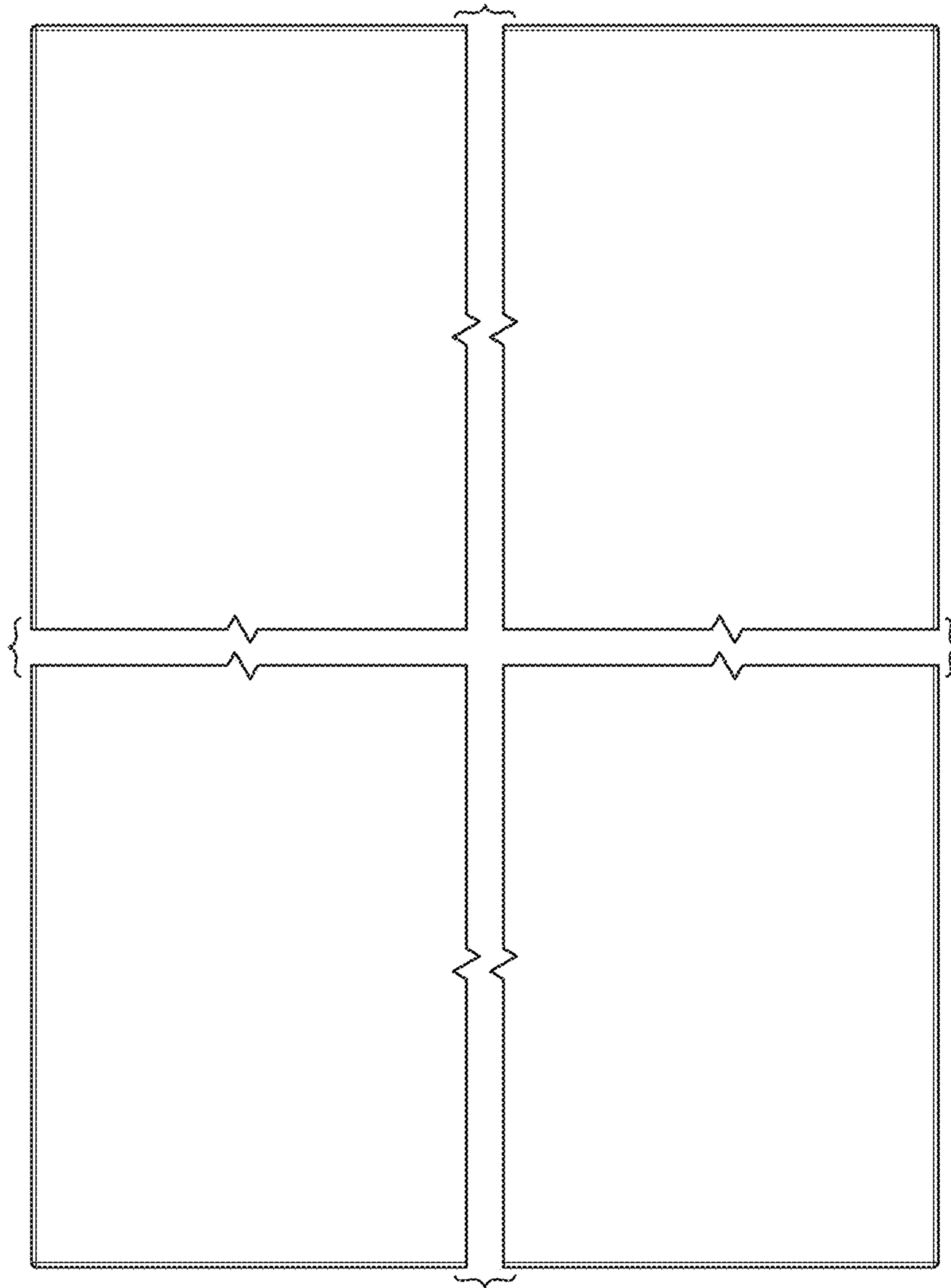


FIG. 7

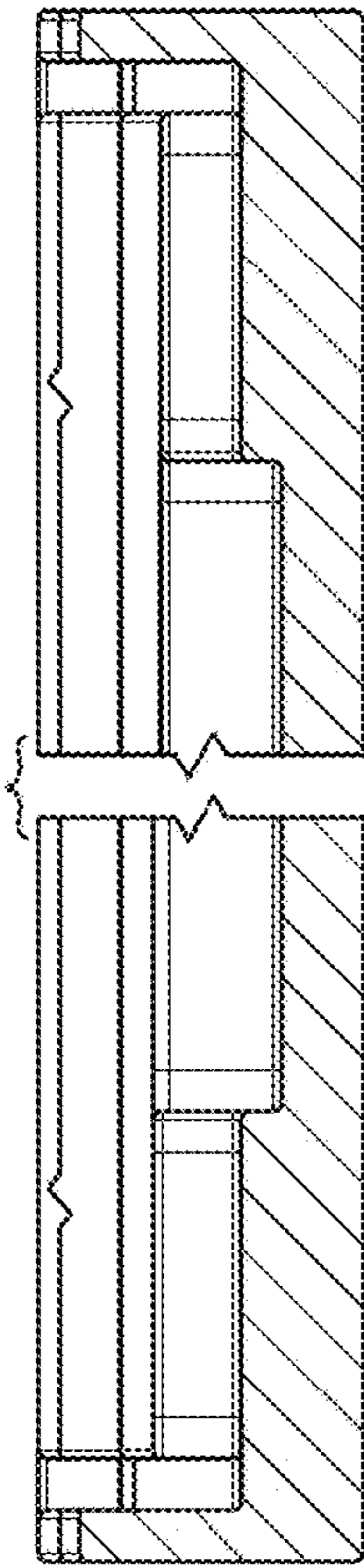


FIG. 8

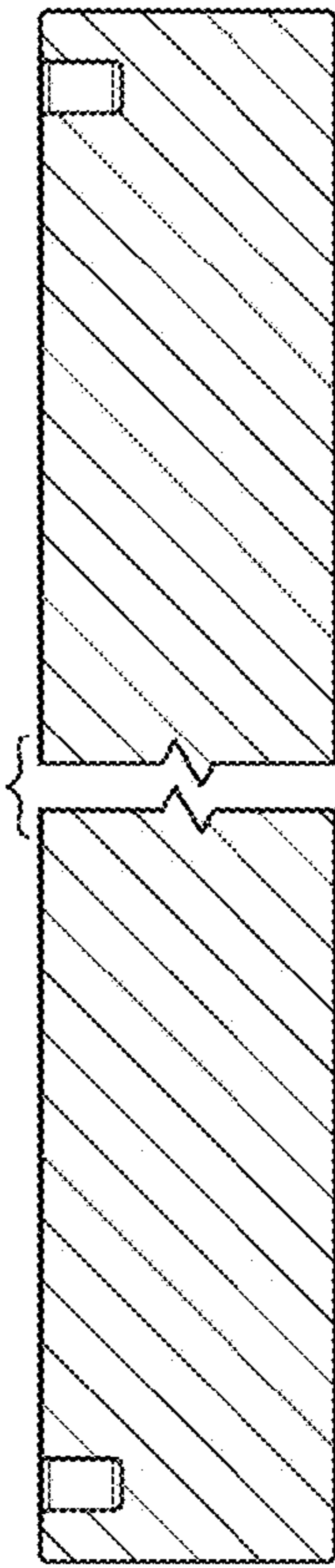


FIG. 9

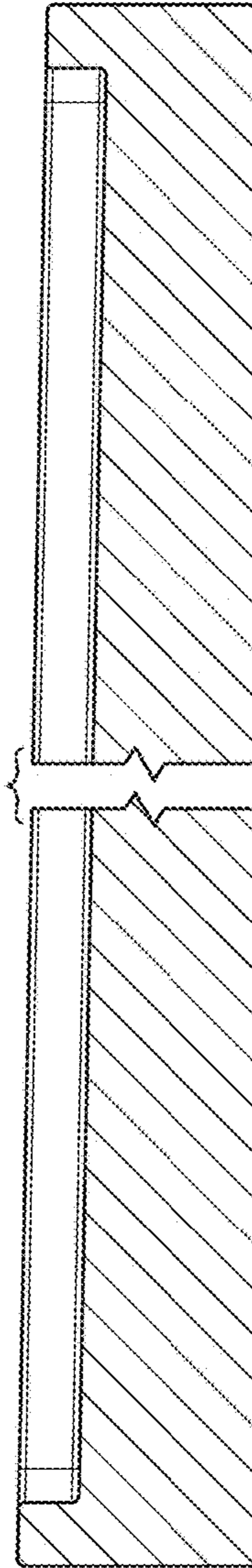


FIG. 10

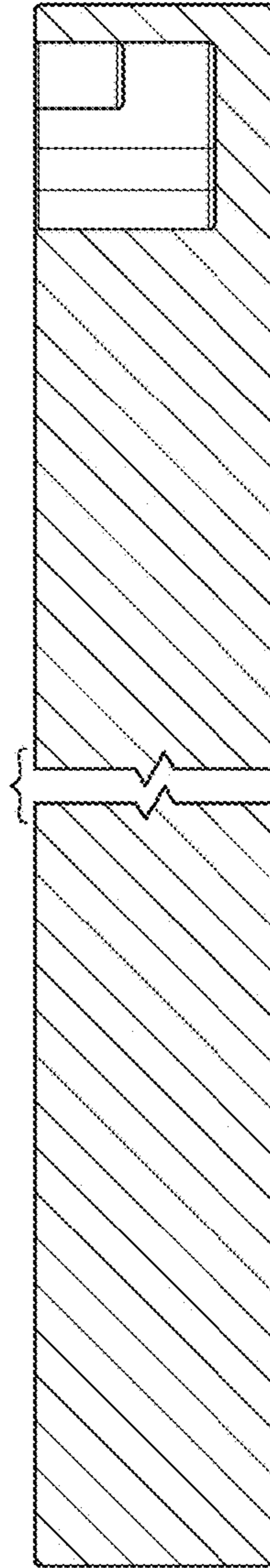


FIG. 11