



US00D856758S

(12) **United States Design Patent**
Yang

(10) **Patent No.:** **US D856,758 S**

(45) **Date of Patent:** **** Aug. 20, 2019**

(54) **CUP HOLDER**

(71) Applicant: **Wen-Tsung Yang**, Taipei (TW)

(72) Inventor: **Wen-Tsung Yang**, Taipei (TW)

(**) Term: **15 Years**

(21) Appl. No.: **29/621,183**

(22) Filed: **Oct. 5, 2017**

(30) **Foreign Application Priority Data**

Jun. 16, 2017 (TW) 106303356

(51) **LOC (12) Cl.** **07-06**

(52) **U.S. Cl.**
USPC **D7/622**

(58) **Field of Classification Search**
USPC D7/622, 543, 545, 547, 600.1, 601,
D7/619.1, 709, 392.1, 396.2; D9/434,
D9/435, 436, 440, 443, 446, 447, 449,
D9/455, 499; D3/240
CPC B65D 33/06; B65D 33/12; B65D 33/14;
B65D 33/16
See application file for complete search history.

(56) **References Cited**

U.S. PATENT DOCUMENTS

- 1,176,495 A * 3/1916 Stein A45C 3/00
383/26
- 1,601,566 A * 9/1926 Elliott B65D 33/12
383/12
- 3,053,434 A * 9/1962 Atwood B65D 33/12
383/109
- D206,079 S * 10/1966 Swett D34/28
- D217,335 S * 4/1970 Singer D8/317
- 4,450,580 A * 5/1984 Lindsay B65D 33/06
383/17
- 5,150,938 A * 9/1992 Gans A45F 5/1026
294/153

- D491,466 S * 6/2004 Man D3/246
- D510,265 S * 10/2005 Man D9/434
- D575,638 S * 8/2008 Yalinkaya D3/318
- D762,389 S * 8/2016 Guichot D3/327

OTHER PUBLICATIONS

Fine Wines & Winemaking of Windber. Bottle Carrier. 2016.
<URL:http://www.finewinesofwindber.com/product/bottle-carrier-2-bottle-chateau-vintage-label/>. (Year: 2016).*

* cited by examiner

Primary Examiner — George D. Kirschbaum

Assistant Examiner — Darcey E Gottschalk

(74) *Attorney, Agent, or Firm* — Birch, Stewart, Kolasch & Birch, LLP

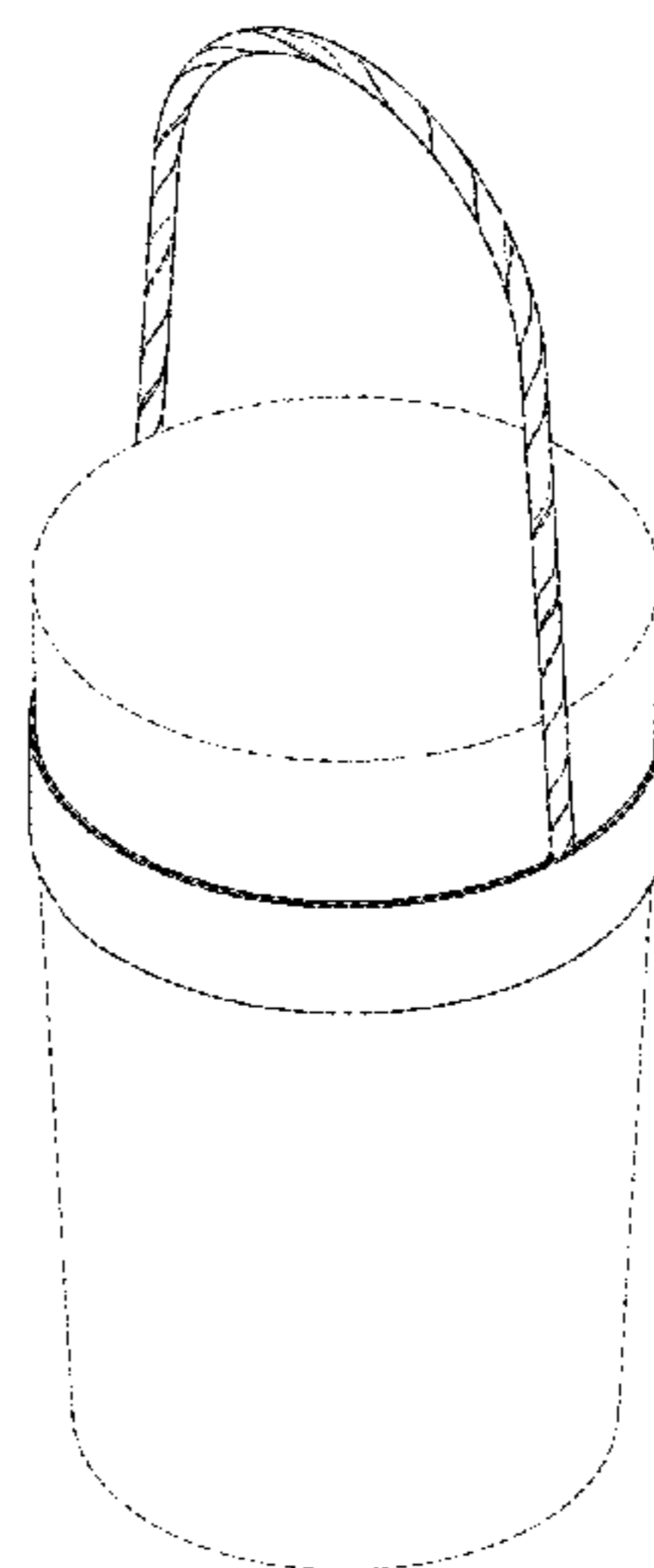
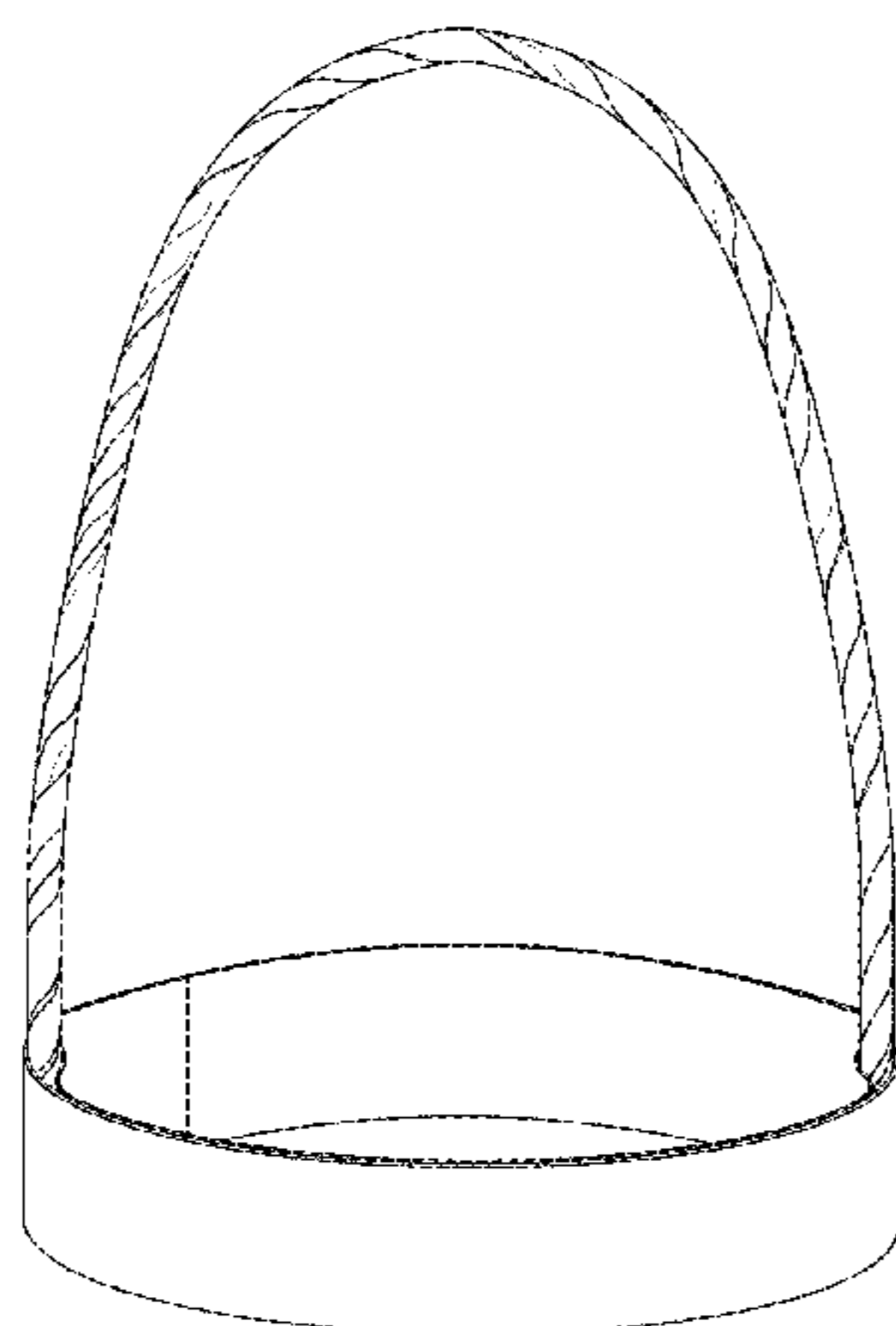
(57) **CLAIM**

The ornamental design for a cup holder, as shown and described.

DESCRIPTION

FIG. 1 is a perspective view of a cup holder showing my new design;
FIG. 2 is a front view thereof;
FIG. 3 is a rear view thereof;
FIG. 4 is a left side view thereof;
FIG. 5 is a right side view thereof;
FIG. 6 is a top view thereof;
FIG. 7 is a bottom view thereof;
FIG. 8 is a view showing an expanded state thereof; and,
FIG. 9 is a view showing a use state thereof.
In the drawings, the broken lines show portions of a cup that depicts environment and forms no part of the claim.

1 Claim, 9 Drawing Sheets



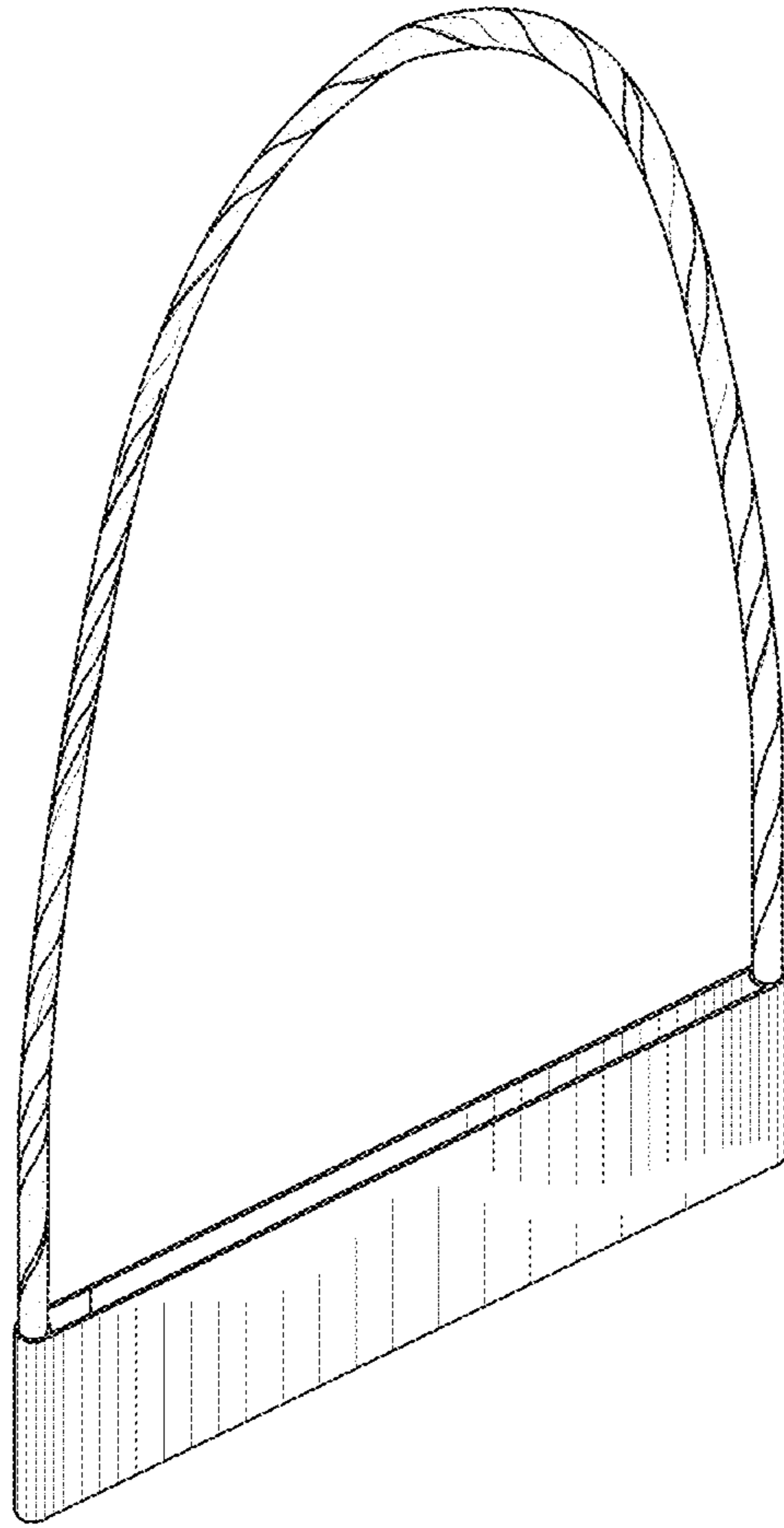


Fig. 1

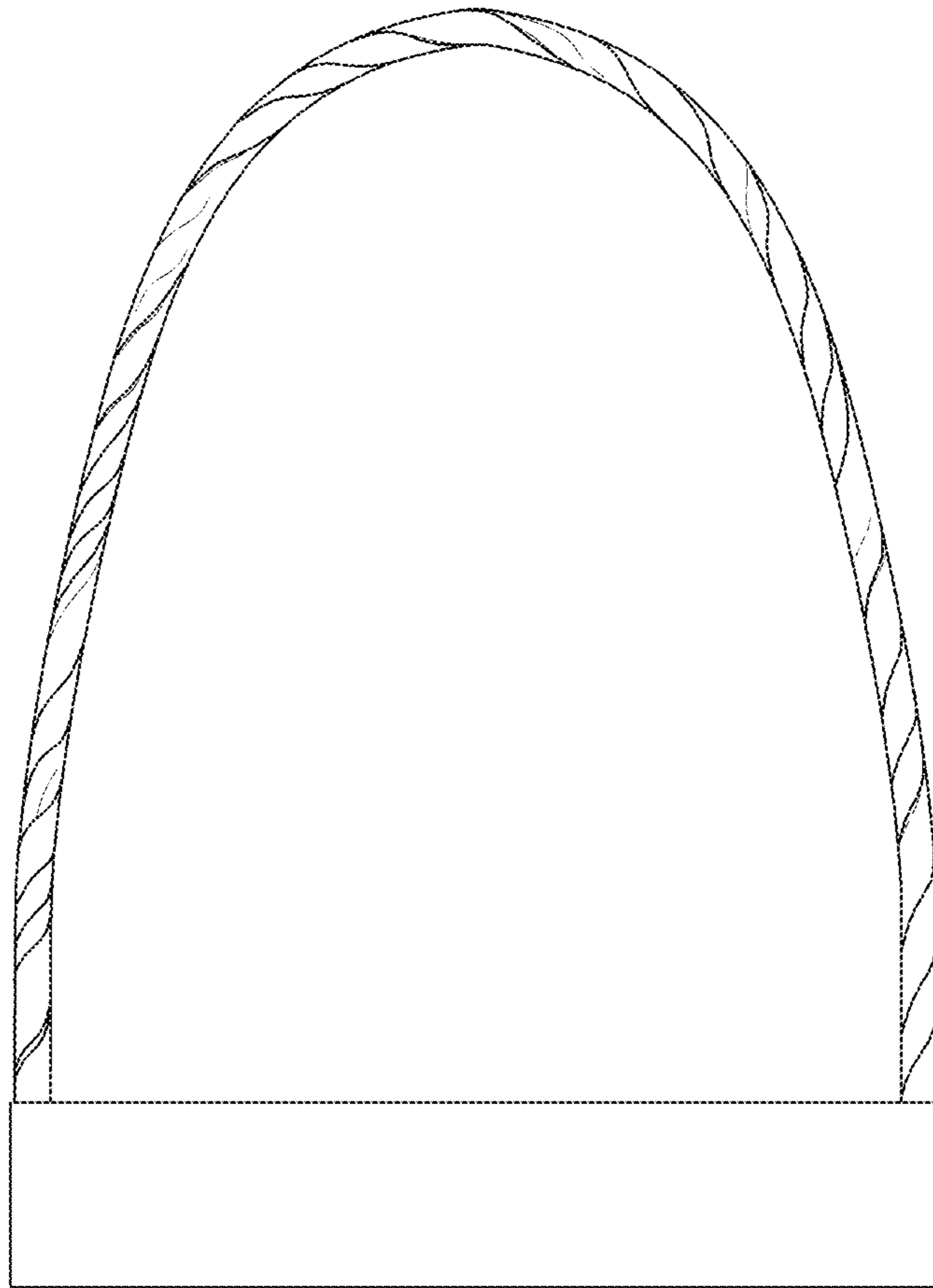


Fig. 2

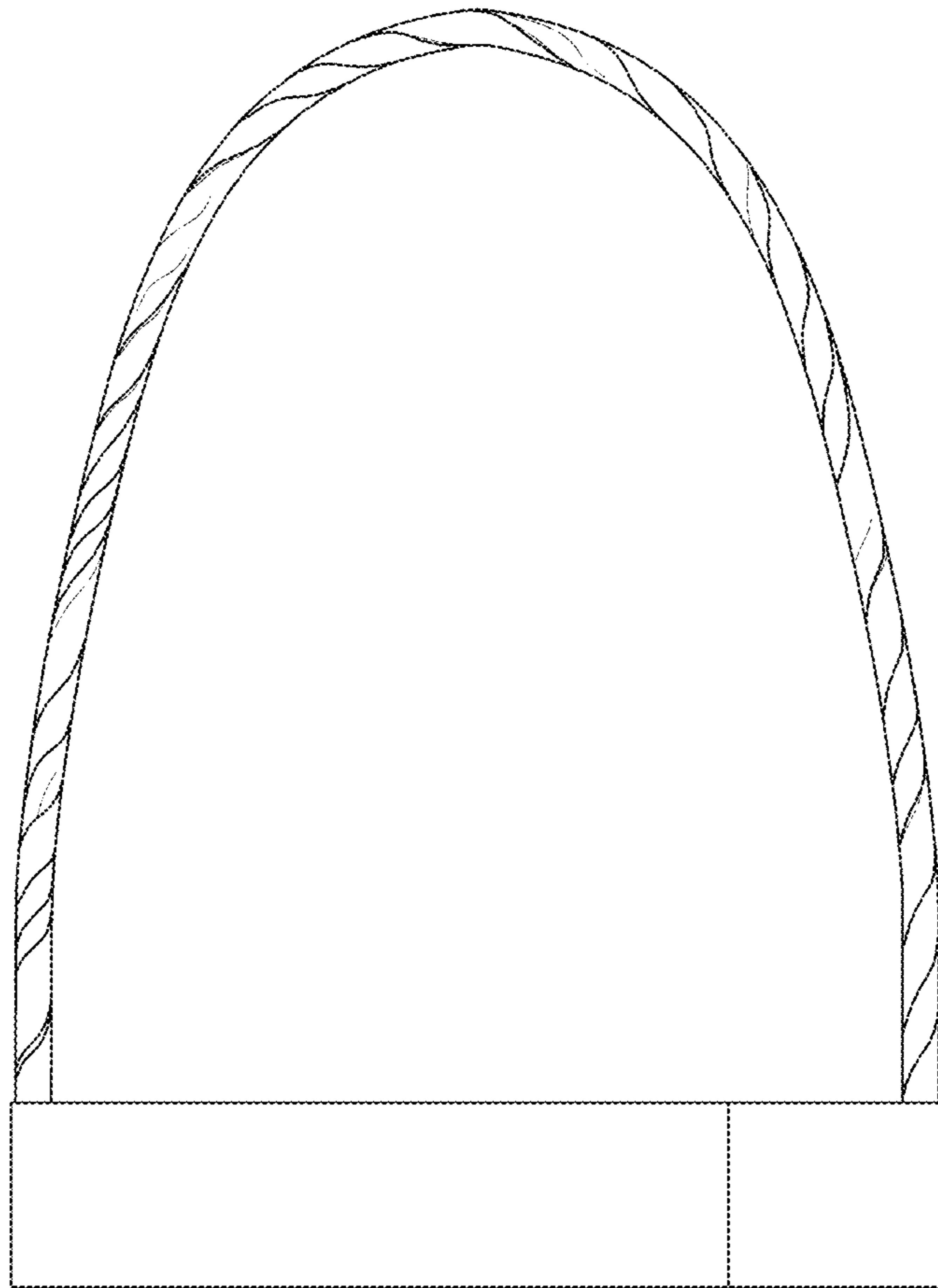


Fig. 3



Fig. 4



Fig. 5

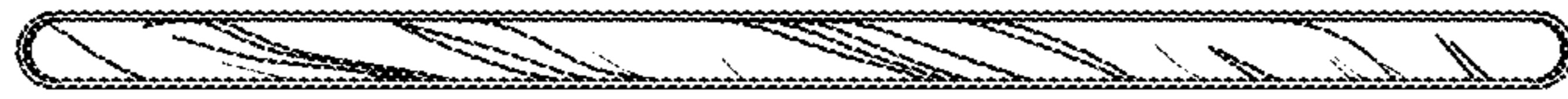


Fig. 6

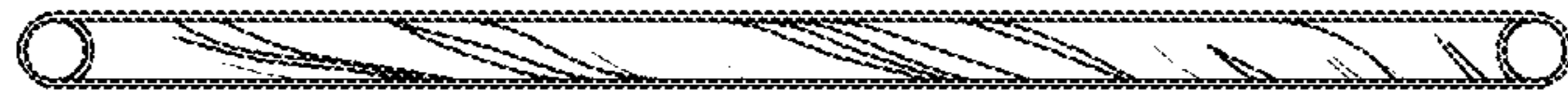


Fig. 7

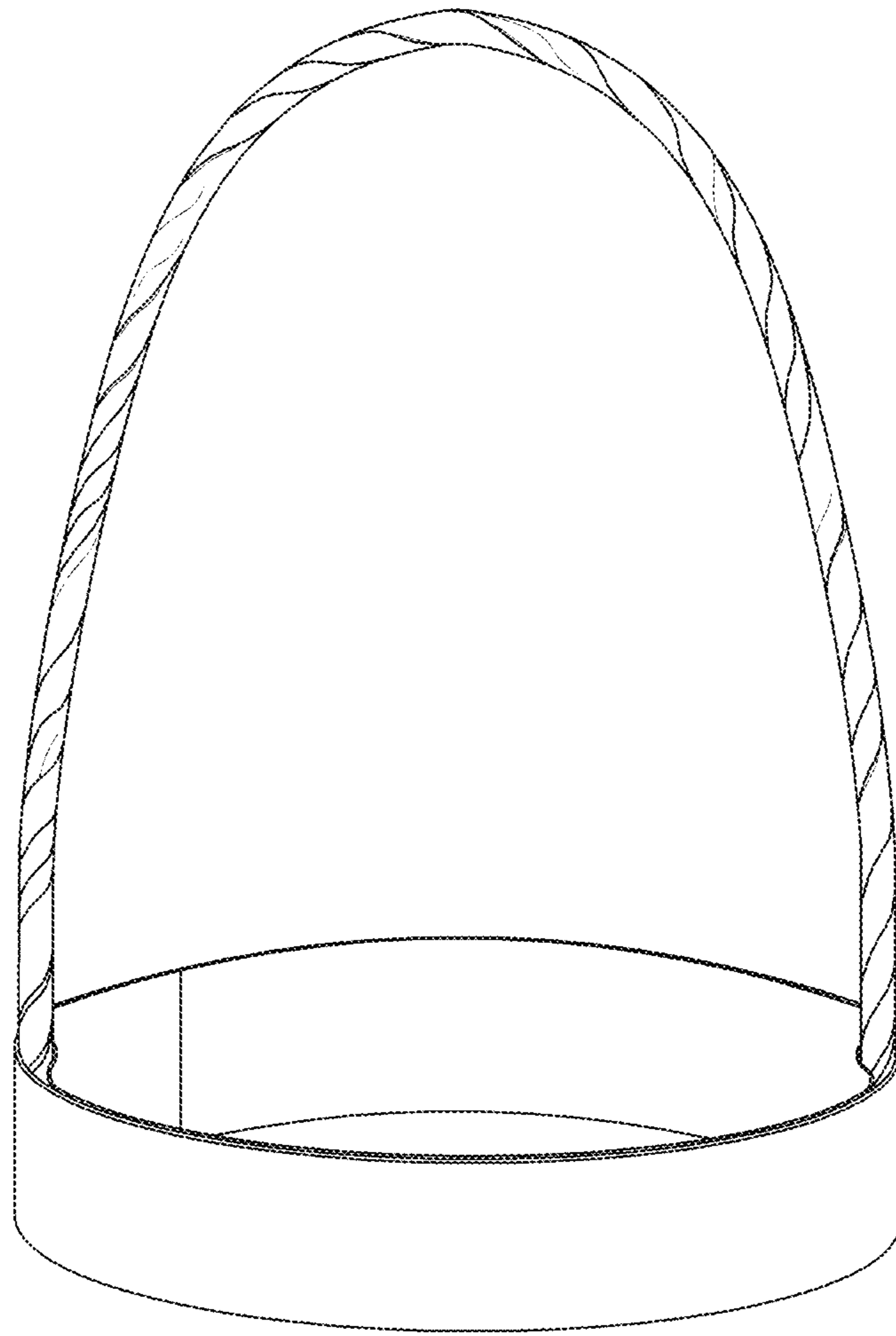


Fig. 8

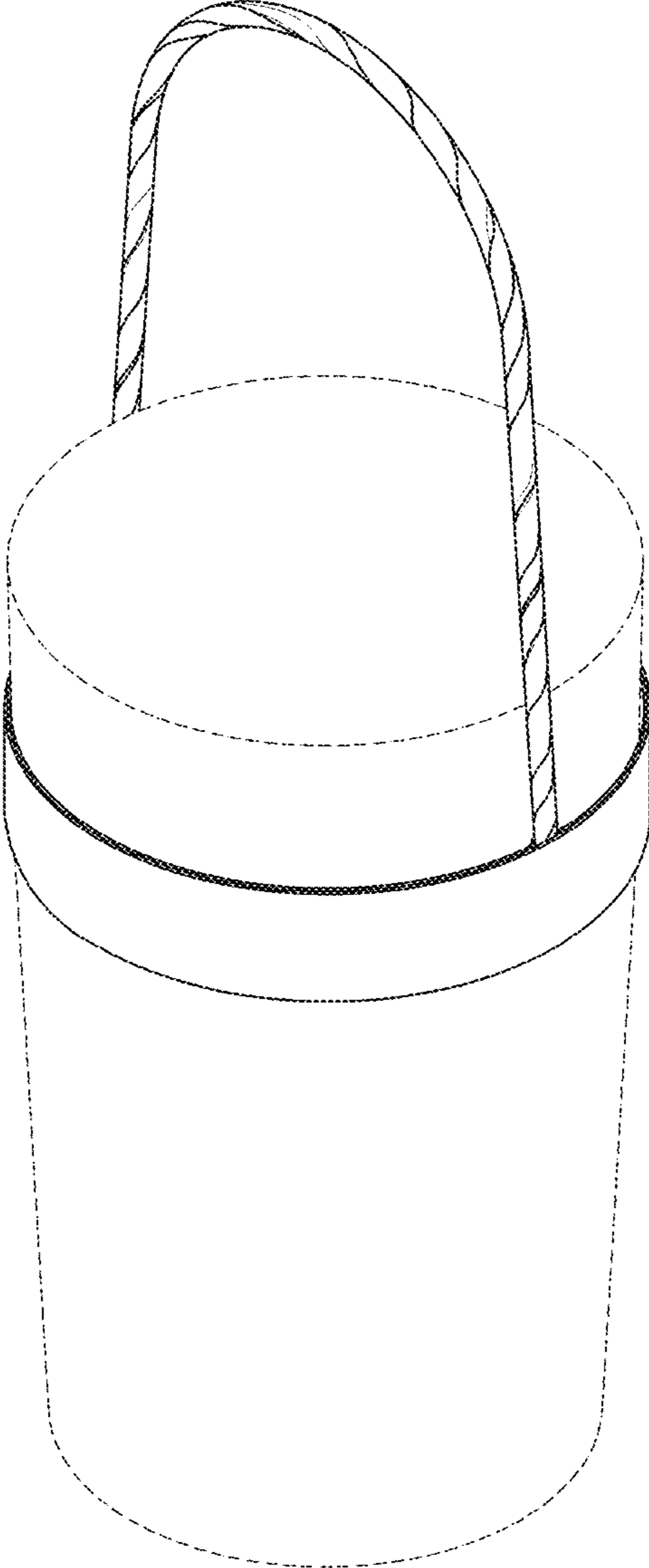


Fig. 9