



US00D856757S

(12) **United States Design Patent** (10) **Patent No.:** **US D856,757 S**
Seiders et al. (45) **Date of Patent:** **** *Aug. 20, 2019**

(54) **BOTTLE** 3,089,603 A * 5/1963 Leslie-Smith A47J 41/02 215/12.1
(71) Applicant: **YETI Coolers, LLC**, Austin, TX (US) 3,596,808 A 8/1971 Corsette
D224,646 S 8/1972 Vollquartz
(72) Inventors: **Roy Joseph Seiders**, Austin, TX (US); D235,303 S 6/1975 Boucher
Matthew Joseph Petrillo, Austin, TX D246,029 S 10/1977 Lynn et al.
(US); **Steve Charles Nichols**, Austin, 4,090,660 A 5/1978 Schram et al.
TX (US) 4,202,459 A 5/1980 DeParales et al.
D256,651 S 9/1980 Leung et al.
D266,391 S 10/1982 Jordon
(Continued)

(73) Assignee: **YETI Coolers, LLC**, Austin, TX (US)
(*) Notice: This patent is subject to a terminal disclaimer.
(**) Term: **15 Years**

FOREIGN PATENT DOCUMENTS
CN 301110494 1/2010
CN 203987709 U 12/2014
(Continued)

(21) Appl. No.: **29/604,120**
(22) Filed: **May 15, 2017**
(51) **LOC (12) Cl.** **07-01**
(52) **U.S. Cl.**
USPC **D7/608**; D7/510; D9/504
(58) **Field of Classification Search**
USPC D7/605-608, 509, 510, 511;
D9/500-505, 443, 516, 532, 522, 558
CPC A47G 19/2205; A47G 2019/2294; A47G
19/23; A47G 19/2272; A47J 41/02; A47J
41/022; A47J 41/024; A47J 41/026; A47J
41/028; A47J 41/00; A47J 41/0077; B65D
81/3823; B65D 81/3818; B65D 81/3846
See application file for complete search history.

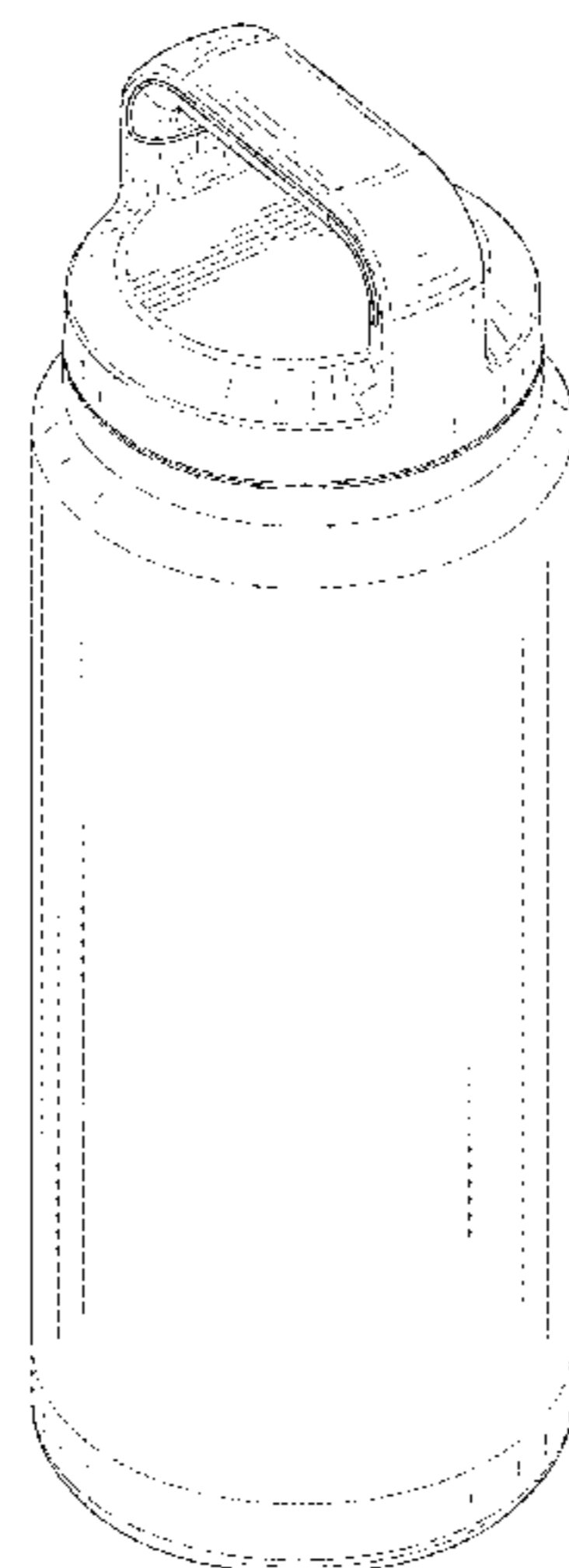
OTHER PUBLICATIONS
United States District Court Western District of Texas Austin
Division, "Complaint," *YETI Coolers, LLC v. SF Associates, Inc.*,
Case: 1:17-cv-01070, Document #1, filed Nov. 10, 2017, 39 pages.
(Continued)

(56) **References Cited**
U.S. PATENT DOCUMENTS
D105,373 S 7/1937 Connor
D109,331 S 4/1938 McManus et al.
D154,378 S 7/1949 Fuller
D177,761 S 5/1956 Reinhardt
2,963,187 A * 12/1960 Bramming A47J 41/02 215/12.1
D192,192 S 2/1962 Tupper

Primary Examiner — Terry A Wallace
(74) *Attorney, Agent, or Firm* — Banner & Witcoff, Ltd.
(57) **CLAIM**
The ornamental design for a bottle, as shown and described.

DESCRIPTION
FIG. 1 is a top, front, right perspective view of a bottle showing our new design;
FIG. 2 is a bottom, front, right perspective view thereof;
FIG. 3 is a front view thereof;
FIG. 4 is a rear view thereof;
FIG. 5 is a right side view thereof;
FIG. 6 is a left side view thereof;
FIG. 7 is a top view thereof; and,
FIG. 8 is a bottom thereof.

1 Claim, 7 Drawing Sheets



(56)

References Cited

U.S. PATENT DOCUMENTS

4,408,703 A	10/1983	Libit		H2217 H	6/2008	Smay et al.
D279,346 S *	6/1985	Ruxton	D7/321	D572,585 S	7/2008	Perrin et al.
D281,567 S	12/1985	Zimmermann		D584,623 S	1/2009	Chupak
D286,604 S	11/1986	Bierlein et al.		D585,245 S	1/2009	Brouillette
D286,847 S	11/1986	Zimmermann		D586,184 S	2/2009	Miller et al.
D287,211 S	12/1986	Weiss		D587,533 S	3/2009	Carreno
D290,678 S	7/1987	Johnson et al.		D592,909 S	5/2009	Alviar et al.
D300,495 S	4/1989	Minuti		D593,372 S	6/2009	Carreno
D301,821 S	6/1989	Bartolo		D593,811 S	6/2009	Carreno
D305,871 S	2/1990	Geiger		D596,460 S	7/2009	Nezu
D316,371 S	4/1991	Vola		D601,436 S	10/2009	Stephens et al.
D321,628 S *	11/1991	Kobayashi	D7/608	D603,331 S	11/2009	Schupp
D322,753 S	12/1991	Sussman		D603,722 S	11/2009	Reimer
D324,281 S	2/1992	Brussing		D604,181 S	11/2009	Reimer
D324,976 S	3/1992	Katz		D604,561 S	11/2009	Chisholm
D327,093 S	6/1992	Evenson		D605,040 S	12/2009	Fry et al.
D332,379 S	1/1993	Murphy		D605,060 S	12/2009	Reimer
D345,676 S	4/1994	Biffle		D608,140 S	1/2010	Gilbert
D347,359 S	5/1994	Robbins, III		D608,195 S	1/2010	Germann
D354,915 S	1/1995	Schneider et al.		D609,567 S	2/2010	Komet et al.
D363,666 S	10/1995	Goto et al.		D611,346 S	3/2010	Camomile
D368,224 S	3/1996	Arndt		D612,235 S	3/2010	Cresswell et al.
D369,525 S	5/1996	Winters		D614,918 S	5/2010	Chisholm
D370,300 S	5/1996	Gottvald et al.		D615,360 S	5/2010	Joy et al.
D375,870 S	11/1996	Stonehouse		D615,816 S	5/2010	Joy et al.
D381,906 S	8/1997	Bartsch		D616,703 S	6/2010	Joy et al.
D391,450 S	3/1998	Rausch		D616,743 S	6/2010	Cresswell et al.
D396,191 S	7/1998	Kuzma et al.		D616,744 S *	6/2010	Cresswell
D398,193 S	9/1998	Sanchez		D617,608 S	6/2010	Yang et al.
D404,974 S	2/1999	Kristinik		D618,500 S	6/2010	Hardaway
D405,609 S	2/1999	Fu et al.		D619,457 S	7/2010	Walsh
D405,650 S	2/1999	Meier		D619,458 S	7/2010	Walsh
D408,689 S	4/1999	Kato		D619,459 S	7/2010	Walsh
D411,742 S	6/1999	Kokenge et al.		D620,798 S	8/2010	Cresswell et al.
D415,395 S	10/1999	Hunt et al.		D621,257 S	8/2010	Gullickson et al.
D417,127 S	11/1999	Steward et al.		D621,258 S	8/2010	Gullickson et al.
D422,916 S	4/2000	Herrmann		D622,089 S	8/2010	Daniel et al.
6,170,693 B1	1/2001	Goto		D622,145 S	8/2010	Walsh
D437,556 S	2/2001	Holliday et al.		D622,554 S	8/2010	Carreno
6,332,557 B1 *	12/2001	Moran	A47J 41/0083 215/12.1	D623,062 S	9/2010	Gullickson et al.
D455,052 S	4/2002	Gullickson et al.		D623,475 S	9/2010	Aarnoudse et al.
D455,612 S	4/2002	Gullickson et al.		D623,896 S	9/2010	Wahl et al.
D456,669 S *	5/2002	Munari	D7/392.1	D625,560 S *	10/2010	Olson
D458,133 S	6/2002	Berish et al.		D625,563 S	10/2010	He
D458,134 S	6/2002	Berish et al.		D625,564 S	10/2010	He
D466,814 S	12/2002	Hurlburt		D625,616 S	10/2010	Gogola et al.
D470,724 S	2/2003	Basara		D626,414 S	11/2010	Cresswell et al.
D471,064 S	3/2003	Renz		D626,416 S *	11/2010	Cresswell
D474,651 S	5/2003	Ward		D627,600 S	11/2010	Eyal
D479,800 S	9/2003	McRae		D627,601 S	11/2010	Eyal
6,626,326 B2	9/2003	Murakami		D627,602 S	11/2010	Eyal
D482,607 S	11/2003	McRae		D627,603 S	11/2010	Eyal
D483,995 S	12/2003	Otake		D627,604 S	11/2010	Eyal
D485,759 S	1/2004	Janky et al.		D628,486 S	12/2010	Lane
D494,425 S	8/2004	Segura		D629,657 S	12/2010	Carreno
D497,778 S	11/2004	Rich		D629,689 S	12/2010	Cresswell et al.
D502,052 S	2/2005	Meade		D629,690 S	12/2010	Cresswell et al.
D504,796 S	5/2005	Schuler et al.		D629,691 S	12/2010	Cresswell et al.
D521,866 S	5/2006	Hicks et al.		D630,474 S	1/2011	Gilbert
D524,909 S	7/2006	Bakke et al.		D630,475 S	1/2011	Lu
D525,518 S	7/2006	Baldwin		D631,666 S	2/2011	Lim et al.
D533,032 S	12/2006	Liu et al.		D632,522 S	2/2011	Wahl et al.
D535,151 S	1/2007	Seum et al.		D633,338 S	3/2011	Rosbach et al.
D536,929 S *	2/2007	Kingsley	D7/510	D633,794 S	3/2011	Cresswell et al.
D544,749 S	6/2007	Seum et al.		D633,795 S	3/2011	Cresswell et al.
D548,082 S *	8/2007	Kingsley	D9/500	D633,796 S	3/2011	Cresswell et al.
D552,926 S	10/2007	Yelland		D633,797 S	3/2011	Cresswell et al.
D553,914 S	10/2007	Wahl		D635,457 S *	4/2011	Lane
D554,000 S	10/2007	Walsh		D635,856 S	4/2011	Lauret
D554,503 S	11/2007	Kerman et al.		D638,695 S *	5/2011	Woodrow
D554,993 S	11/2007	Kerman et al.		D638,708 S	5/2011	Walsh
D561,470 S	2/2008	Jalet		D639,164 S	6/2011	Walsh
D564,363 S	3/2008	Rhea		D639,166 S	6/2011	Carreno
D568,740 S	5/2008	Williams		D639,661 S	6/2011	Llerena
				D639,663 S	6/2011	Llerena
				D641,591 S	7/2011	Tsukida
				D643,245 S	8/2011	Minarsch
				D644,060 S	8/2011	Komeiji
				D644,062 S	8/2011	Lorenz

(56)

References Cited

U.S. PATENT DOCUMENTS

D647,753 S 11/2011 Lin
 D651,847 S 1/2012 Gilbert
 D652,255 S 1/2012 Carland
 D652,682 S 1/2012 Eyal
 D654,762 S 2/2012 Gilbert
 D655,134 S 3/2012 Gilbert
 D655,570 S 3/2012 Meehan
 D655,581 S 3/2012 Kotani
 D655,967 S 3/2012 Bodum
 D657,196 S * 4/2012 Beyers, III D7/513
 D658,064 S 4/2012 Barnes et al.
 D658,445 S 5/2012 Carreno
 D659,007 S 5/2012 Pape
 D660,084 S 5/2012 Gilbert
 D660,655 S 5/2012 Wahl et al.
 D662,360 S * 6/2012 George D7/510
 D663,169 S 7/2012 Beggins et al.
 8,215,511 B1 * 7/2012 Lin B65D 39/08
 215/228
 D664,809 S 8/2012 Eyal
 D665,621 S 8/2012 Eyal
 D666,052 S 8/2012 Trombly
 D666,061 S 8/2012 Ying
 8,251,247 B1 8/2012 Breckner
 D667,263 S 9/2012 Gilbert et al.
 D668,913 S * 10/2012 Mayer D7/510
 8,276,776 B2 10/2012 Roth et al.
 D670,137 S 11/2012 Gilbert
 D672,238 S 12/2012 Aziz et al.
 D672,609 S 12/2012 Aziz et al.
 D674,663 S 1/2013 Cahen
 D675,066 S 1/2013 Conlin et al.
 D675,100 S 1/2013 Herbst
 D676,764 S 2/2013 Moore et al.
 D677,119 S 3/2013 Ying
 D678,772 S 3/2013 Johnson et al.
 D679,960 S 4/2013 Hopkins et al.
 D680,387 S 4/2013 Hopkins et al.
 D680,389 S * 4/2013 Zemel D7/672
 D680,431 S 4/2013 Hopkins et al.
 D682,625 S 5/2013 Lane
 D682,626 S 5/2013 Lane
 D684,059 S 6/2013 Johnson et al.
 D684,813 S 6/2013 Eyal
 D685,231 S 7/2013 Lane
 D686,078 S 7/2013 Johnson et al.
 D688,093 S 8/2013 Roth et al.
 D691,416 S 10/2013 Eyal
 D692,756 S 11/2013 McClellan et al.
 D693,698 S 11/2013 Miller, Jr.
 D694,112 S 11/2013 Brown
 D695,138 S 12/2013 Ball
 D696,945 S 1/2014 Newman
 D697,404 S 1/2014 Johnson et al.
 D698,668 S 2/2014 Vaughn
 D701,464 S 3/2014 Ogata et al.
 D702,092 S 4/2014 Mettler et al.
 D702,506 S 4/2014 Mettler et al.
 D708,954 S * 7/2014 Barnes D7/511
 D709,734 S 7/2014 Kotani
 D710,155 S 8/2014 Tatsukawa
 D712,254 S 9/2014 Geis et al.
 D712,255 S 9/2014 Geis et al.
 D713,268 S 9/2014 Jones et al.
 D713,365 S 9/2014 Green
 D715,100 S 10/2014 Eyal
 D715,101 S 10/2014 Grcic
 D717,102 S 11/2014 Taketani et al.
 D717,115 S 11/2014 Lane et al.
 D719,788 S 12/2014 Soltz et al.
 D721,540 S 1/2015 Grcic
 D721,546 S 1/2015 Davidson
 D724,385 S 3/2015 Hurley et al.
 D725,968 S 4/2015 George
 D727,688 S 4/2015 Hewitt et al.

D728,314 S 5/2015 Carstensen et al.
 D728,315 S 5/2015 Bo
 D728,995 S 5/2015 Barberi
 D729,579 S * 5/2015 Molayem D7/507
 D729,581 S 5/2015 Boroski
 D729,584 S 5/2015 Weston et al.
 D731,251 S 6/2015 Lane
 D732,337 S 6/2015 Coon et al.
 D732,347 S 6/2015 Katterheinrich et al.
 D732,402 S 6/2015 Jones et al.
 D734,096 S 7/2015 George et al.
 D734,154 S 7/2015 Johnson et al.
 D735,578 S 8/2015 Mazurkiewicz et al.
 D741,655 S 10/2015 Whelan et al.
 D743,742 S 11/2015 Rummel et al.
 D744,781 S 12/2015 Rummel et al.
 D747,199 S 1/2016 Phillips
 D751,340 S 3/2016 Seiders et al.
 D751,341 S 3/2016 Seiders et al.
 D752,381 S 3/2016 Wahl
 D754,472 S 4/2016 Munari
 D755,561 S 5/2016 Eyal
 D756,701 S 5/2016 Mettler et al.
 D758,859 S 6/2016 Sorensen et al.
 D760,080 S 6/2016 Gorbald
 D760,586 S 7/2016 Seiders et al.
 D761,618 S 7/2016 Lapsker
 D764,869 S 8/2016 Smrtnik et al.
 D764,916 S 8/2016 Mount, III et al.
 D766,085 S 9/2016 Smith
 D772,651 S 11/2016 Leonard et al.
 D774,363 S 12/2016 Seiders et al.
 D777,508 S 1/2017 Goodwin et al.
 D779,872 S 2/2017 Bergstrom
 D780,527 S 3/2017 Salama
 D780,577 S 3/2017 Seiders et al.
 D781,145 S 3/2017 Seiders et al.
 D781,146 S 3/2017 Seiders et al.
 D782,881 S 4/2017 Seiders et al.
 D783,367 S 4/2017 Seiders et al.
 D783,368 S 4/2017 Seiders et al.
 D786,023 S 5/2017 Polack et al.
 D786,671 S 5/2017 Khetarpaul et al.
 D788,544 S 6/2017 Seiders et al.
 D790,285 S 6/2017 Seiders et al.
 D794,397 S 8/2017 Seiders et al.
 D795,020 S 8/2017 Seiders et al.
 D799,898 S 10/2017 Yao
 D799,907 S 10/2017 Seiders et al.
 D801,753 S 11/2017 Piper et al.
 D803,005 S 11/2017 Lane
 D804,255 S 12/2017 Seiders et al.
 D804,256 S 12/2017 Seiders et al.
 D805,852 S 12/2017 Seiders et al.
 D807,125 S 1/2018 Seiders et al.
 D807,126 S 1/2018 Seiders et al.
 D808,713 S 1/2018 Rane et al.
 D808,731 S 1/2018 Boroski et al.
 D808,732 S 1/2018 Boroski
 D808,733 S 1/2018 Spivey et al.
 D809,344 S 2/2018 Guthrie
 2005/0153637 A1 7/2005 Janson
 2008/0078787 A1 4/2008 Yelland
 2010/0288782 A1 11/2010 Lin
 2011/0114655 A1 5/2011 Bailey
 2011/0186585 A1 * 8/2011 Lu A47J 41/00
 220/575
 2012/0125931 A1 5/2012 Roth et al.
 2014/0251938 A1 9/2014 Rose et al.
 2014/0353275 A1 * 12/2014 Hung B65D 47/305
 215/311
 2015/0232232 A1 8/2015 Shibuki et al.
 2017/0119212 A1 5/2017 Petrillo et al.

FOREIGN PATENT DOCUMENTS

CN 303528321 12/2015
 CN 303905254 11/2016
 DE 29707837 U1 7/1997

(56)

References Cited

FOREIGN PATENT DOCUMENTS

EP	2567909	A1	3/2013
FR	993552	A	11/1951
JP	2014210613	A	11/2014
JP	1530358		8/2015
KR	300303813.0000		8/2002
KR	300751936.0000		7/2014
KR	300764889.0000		10/2014
WO	D088688-002		1/2016

OTHER PUBLICATIONS

United States International Trade Commission Washington, DC, Respondents Alibaba, Dunhuang Group, and Bonanza.com's "Notice of Prior Art", Inv. No. 33-TA-1084 dated Feb. 9, 2018, 8 pages.

"64 oz Double-Wall Vacuum-Insulated Growler" published on Nov. 14, 2014, retrieved from https://web.archive.org/web/*/http://www.fiftyfiftybottles.com/64oz-growler/ on Sep. 22, 2016.

"Hydro Flask Insulated Stainless Steel Water Bottle" published on Dec. 29, 2014, retrieved from http://web.archive.org/web/*/https://www.amazon.com/dp/B004X55L9I/ref=twister_B00GA03LG4?_encoding=UTF8&psc=1 on Sep. 22, 2016.

"Eco Vessel 64 ounce Growler" published on Jan. 28, 2015, retrieved from http://web.archive.org/web/*/http://www.snewsnet.com/press-release/eco-vessel-launches-the-boss-insulated-growler/ on Sep. 22, 2016.

"Classic Vacuum Bottle—1.1 qt," published on Feb. 22, 2015, retrieved from http://www.amazon.com/Stanley-Classic-Vacuum-Bottle-1-1qt/dp/images/B004E7NY3U/ref=dp_image_1_0?ie=UTF8&s=sporing-goods&img=color_name=1.

"UA Beyond 18 oz. Vacuum Insulated Water Bottle" published on Mar. 29, 2015, retrieved from http://web.archive.org/web/*/https://www.underarmour.com/en-us/beyond-18-oz-vacuum-insulated-ss-bottle-with-flip-top-lid/pid1232014 on Sep. 22, 2016.

"KB8 20 oz. Double Wall Stainless Bottle," published on May 22, 2015, retrieved from <https://web.archive.org/web/20150807054814/http://thermo-steel.com/work/keen-kb8> on Sep. 27, 2016.

"2015 Boulder Insulated Water Bottle with Tea, Fruit, Ice Strainer" published on Jun. 28, 2015, retrieved from http://web.archive.org/web/*/http://www.ecovessel.com/boulder-insulated-water-bottle-with-tea-fruit-ice-strainer-20-oz/ on Sep. 22.

"Klean Kanteen Insulated Classic with Polypropylene" published on Jul. 7, 2015, retrieved from http://web.archive.org/web/*/https://www.lifewithoutplastic.com/store/klean-kanteen-insulated-classic-with-polypropylene-loop-cap-0-95-l-32-oz.html on Sep. 22, 2016.

KOLD Vacuum Insulated Stainless Steel Sports Bottle: Announced Dec. 8, 2015 [online], site visited [May 11, 2016]. Available from Internet URL: <http://www.amazon.com/KOLD-Sports-Water-Bottles-Insulated/dp/B018YH K79E/ref=cm>.

Yeti 36 oz. Rambler: Announced Jan. 11, 2016 [online], site visited [May 10, 2016]. Available from Internet URL: <http://yeticoolers.com/rambler-bottle-36-oz/>.

English translation of Office Action dated Sep. 6, 2016 for JP Application No. 2016-9603, 4 pages.

English translation of Office Action dated Sep. 6, 2016 for JP Application No. 2016-9604, 3 pages.

English translation of Office Action dated Oct. 4, 2016 for JP Application No. 2016-9607, 2 pages.

English translation of Office Action dated Oct. 4, 2016 for JP Application No. 2016-9608, 2 pages.

United States District Court Western District of Texas Austin Division, "Plaintiffs' First Amended Complaint," *Yeti coolers, LLC v. RTIC Coolers, LLC, RTIC Drinkware, LLC, and RTIC Web Services, LLC*, Case 1:16-cv-00985-RP, Document 15, filed Oct. 14, 2016, 26 pages.

United States District Court Western District of Texas Austin Division, "Defendants' Notice of Responsive Pleading to Plaintiff's First Amended Complaint," *Yeti Coolers, LLC v. RTIC Coolers, LLC, RTIC Drinkware, LLC, and RTIC Web Services, LLC*, Case 1:16-cv-00985-RP, Document 23, filed Oct. 26, 2016, 4 pages.

English translation of Office Action dated Nov. 1, 2016 for JP Application No. 2016-9605, 2 pages.

English translation of Office Action dated Nov. 1, 2016 for JP Application No. 2016-9606, 2 pages.

United States District Court Western District of Texas Austin Division, "Plaintiff Yeti Coolers, LLC's Original complaint," *Yeti Coolers, LLC v. Ontel Products Corporation and World Pack USA, LLC*, Case: 1:17-cv-00091-RP, Document #1, filed Feb. 8, 2017, 65 pages.

United States District Court Western District of Texas Austin Division, "Defendants' Answers and Defenses to Plaintiff's Original Complaint," *Yeti Coolers, LLC v. Ontel Products Corporation and World Pack USA, LLC*, Case: 1:17-cv-00091-RP, Document #14, filed Mar. 21, 2017, 45 pages.

English Translation of Office Action dated Apr. 4, 2017 for JP Application No. 2016-9605, 11 pages.

English Translation of Office Action dated Apr. 4, 2017 for JP Application No. 2016-9606, 10 pages.

United States District Court Western District of Texas Austin Division, "Second Amended Complaint," *Yeti Coolers, LLC v. Sam's West, Inc., and Sam's East, Inc., and CY Top, Ltd.*, Case: 1:16-cv-00829-RP, Document #51, filed Sep. 22, 2017, 49 pages.

United States District Court Western District of Texas Austin Division, "Complaint," *Yeti Coolers, LLC v. Costco Wholesale Corporation*, Case: 1:17-cv-07025, Document #1, filed Sep. 28, 2017, 99 pages.

United States District Court Western District of Texas Austin Division, "Complaint," *Yeti Coolers, LLC v. Alibaba Group Holding Limited, Alibaba (China) Technology Co., Ltd., Alibaba.com Hong Kong Limited, Alibaba.com Singapore E-Commerce Private Limited, Hangzhou Alibaba Advertising Co. Ltd., and Huizhou Dashu Trading Co., Ltd.*, Case: 1:17-cv-00936, Document #1, filed Sep. 28, 2017, 272 pages.

United States District Court Western District of Texas Austin Division, "Complaint," *Yeti Coolers, LLC v. ContextLogic, Inc. d/b/a Wish.com*, Case: 1:17-cv-00937, Document #1, filed Sep. 28, 2017, 238 pages.

United States District Court Western District of Texas Austin Division, "Complaint," *Yeti Coolers, LLC v. Dunhuang Group, SZ Flowerfairy Technology Co., Ltd., Tan Er Pa Technology Co., Ltd., Shenzhen Great Electronic Technology Co., Ltd., and Huagong Trading Co.*, Case: 1:17-cv-00938, Document #1, filed Sep. 28, 2017, 272 pages.

United States International Trade Commission of Washington, DC, "Complaint Under Section 337 of the Tariff Act of 1930, as Amended," *Yeti Coolers, LLC vs. Alibaba (China) Technology Co., Ltd., Alibaba Group Holding Limited, Alibaba.com Hong Kong Limited, Alibaba.com Singapore E-Commerce Private Limited, Bonanza.com, Inc., ContextLogic, Inc. d/b/a Wish, Dunhuang Group, Hangzhou Alibaba Advertising Co. Ltd., Huizhou Dashu Trading Co., Ltd., Huagong Trading Co., and Tan Er Pa Technology Co., Ltd.*, Case: 337-TA-3261, filed Sep. 28, 2017, 191 pages.

Sep. 26, 2018 U.S.—Non-Final Office Action—U.S. Appl. No. 15/804,759.

United States District Court Western District of Texas Austin Division, "Complaint for Damages and Injunctive Relief," *Yeti Coolers, LLC v. RTIC Coolers, LLC, RTIC Drinkware, LLC, and RTIC Web Services, LLC*, Case: 1:16-cv-00985, Document #1, filed Aug. 18, 2016, 27 pages.

United States District Court Western District of Texas Austin Division, "Defendants' Motion to Dismiss Pursuant to Rule 12(b)(6)," *Yeti Coolers, LLC v. RTIC Coolers, LLC, RTIC drinkware, LLC, and RTIC web services, LLC*, case: 1:16-cv-00985, Document #9, filed Sep. 23, 2016, 27 pages.

United States District Court Western District of Texas Austin Division, "Defendants' Answers and Defenses to Plaintiff's Original Complaint," *Yeti Coolers, LLC v. Ontel Products Corporation and World Pack USA, LLC*, Case: 1:17-cv-00091-RP, Document #14, filed Feb. 21, 2017, 45 pages.

Yeti Rambler. Jul. 19, 2016 [earliest online date], [site visited Apr. 7, 2017]. Available from internet, <URL: <http://yeti.com/rambler>>.

Amazon. Yeti Rambler Bottle Replacement Cap. Mar. 23, 2017 [earliest online date], [site visited Apr. 7, 2017]. Available from

(56)

References Cited

OTHER PUBLICATIONS

Internet, <URL: <https://www.amazon.com/YETI-Rambler-Bottle-Replacement-Cap/dp/B01MZ6QIMY>>.

Outdoor Pro Shop. Yeti Rambler Bottles. May 27, 2016 {earliest online date}, [site visited Apr. 7, 2017]. Available from Internet, <URL: <https://www.outdoorproshop.com/Yeti-Rambler-Bottles-p/yeti-yrambtl.htmOu>>.

“Review: Yeti Heavy-Duty Rambler Bottles”. Found online Jun. 12, 2017 at gearjunkie.com. Page dated Apr. 1, 2016. Retrieved from <<https://gearjunkie.com/yeti-rambler-water-bottle-review>>.

“ETS Express: New Items in Stock”. Found online Jun. 12, 2017 at twitter.com. Page dated Jan. 21, 2015. Retrieved from <<https://twitter.com/etsexpress/status/557997114589196288>>.

“Klean Kanteen Wide Mouth Water Bottle with Loop Cap”. Found online Oct. 12, 2016 at amazon.com. Page dated Dec. 5, 2009. Retrieved from <https://www.amazon.com/Klean-Kanteen-Mouth-Water-Bottle/dp/B002VIZ61U/ref=cm_cr_arp_d_product_top?ie=UTF8>.

“Sketch-a-Day: Water Bottles”. Found online Jun. 21, 2017 at sketch-a-day.com. Page dated Mar. 4, 2010. Retrieved from <<http://www.sketch-a-day.com/posts/sketch-a-day-95-water-bottles/>>.

United States District Court Western District of Texas Austin Division, “Plaintiffs’ Complaint for Damages and Injunctive Relief,” *Yeti Coolers, LLC v. Houssam Rabi d/b/a Hoo-Sizzy*, Case 1:17-cv-00418, Document 1, filed May 5, 2017, 37 pages.

United States District Court Western District of Texas Austin Division, “Plaintiffs’ Complaint for Damages and Injunctive Relief,” *Yeti Coolers, LLC v. Seth Stevens d/b/a SDS Marketing d/b/a Eskimo Coolers, Panther Group LLC d/b/a Eskimo Coolers, Panther Group Sales, LLC d/b/a Eskimo Coolers, and Silver Fox Sales, LLC*, Case 1:17-cv-00423, Document 1, filed May 5, 2017, 77 pages.

“Bubba Brands Classic Insulated Travel Mug”. Found online Mar. 9, 2017 at amazon.com. Page dated Sep. 30, 2010. Retrieved from https://www.amazon.com/Bubba-Brands-1953403-Classic-Insulated/dp/B01FB7IG8Y/ref=cm_cr_arp_d_product_top?ie=UTF8.

“Bubba Hero Bottle Replacement Lid”. Found online Mar. 9, 2017 at amazon.com. Page dated Jan. 14, 2015. Retrieved from https://www.amazon.com/bubba-HERO-bottle-replacement-lid/dp/B00QQYDI44/ref=cm_cr_arp_d_product_top?ie=UTF8.

“Contigo Extreme Stainless Steel Travel Mug”. Found online Mar. 9, 2017 at amazon.com. Page dated Sep. 13, 2016. Retrieved from https://www.amazon.com/Contigo-Extreme-Stainless-Insulated-Limited/dp/B01LZGBMKT/ref=pd_sim_79_3?encoding=UTF8&psc=&refRID=A4VHP8EG6AKH3BG73BMZ.

“Hydro Flask Wide Mouth Hydro Flip Lid”. Found online Mar. 9, 2017 at amazon.com. Page dated Oct. 9, 2012. Retrieved from http://www.amazon.com/Hydro-Flask-Wide-Mouth-Black/dp/B01GW2H430/ref=cm_cr_arp_d_product_top?ie=UTF8.

Hydro Flask. Hydro Flip. 2015 [earliest online date], [site visited Apr. 28, 2017]. Available from Internet, <URL:<https://www.hydroflask.com/hydro-flip#92=57>>.

Jane. Spill Resistant Flip Lid and Yeti Accessories. Dec. 5, 2016 [earliest online date], [site visited Apr. 28, 2017]. Available from Internet, <URL:<https://jane.com/deal/263319/spill-resistant-flip-lid-and-yeti-accessories-30oz-many-colors>>.

United States International Trade Commission, “Respondents Alibaba, Dunhuang Group, and Bonanza.com’s Notice of Prior Art,” In the Matter of: Certain Insulated Beverage Containers, Components, Labels, and Packaging Materials Thereof, Inv. No. 337-TA-1084, filed Feb. 9, 2018, 8 pages.

United States International Trade Commission, “Respondent Contextlogic, Inc.’s Notice of Prior Art,” In the Matter of: Certain Insulated Beverage Containers, Components, Labels, and Packaging Materials Thereof, Inv. No. 337-TA-1084, filed Feb. 9, 2018, 15 pages.

United States International Trade Commission, “The Commission Investigative Staff’s Notice of Prior Art” In the Matter of: Certain Insulated Beverage Containers, Components, Labels, and Packaging Materials Thereof, Inv. No. 337-TA-1084, filed Feb. 9, 2018, 4 pages.

* cited by examiner

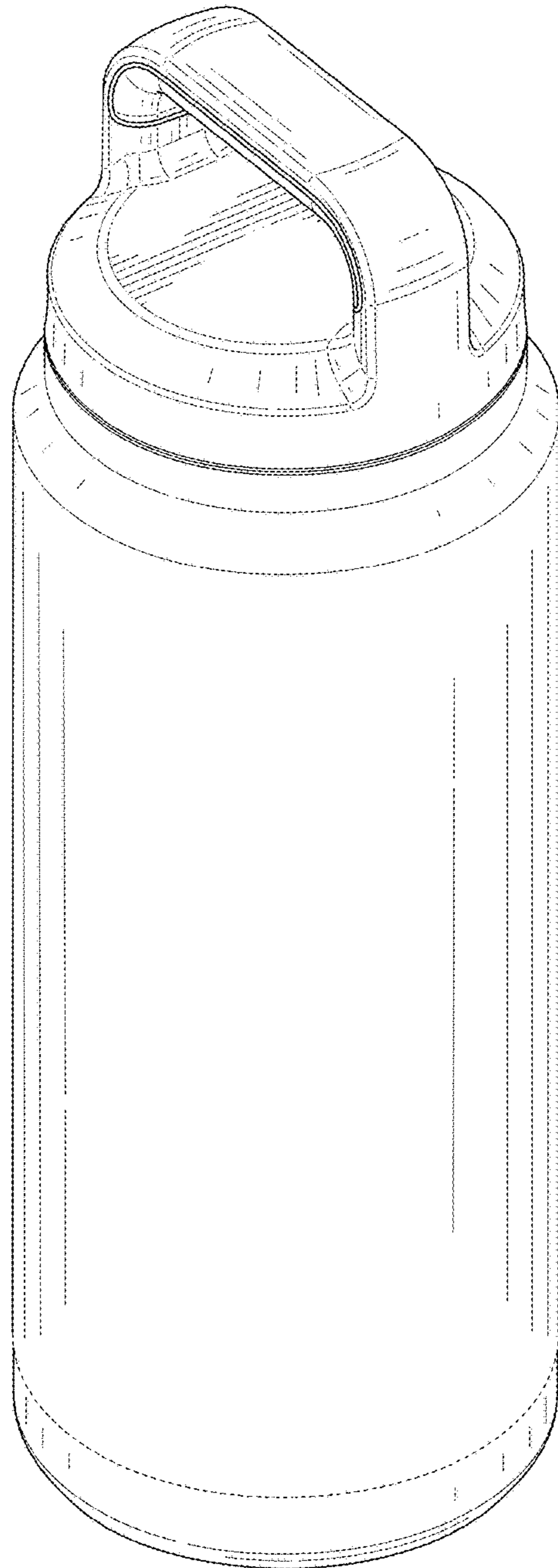


FIG. 1

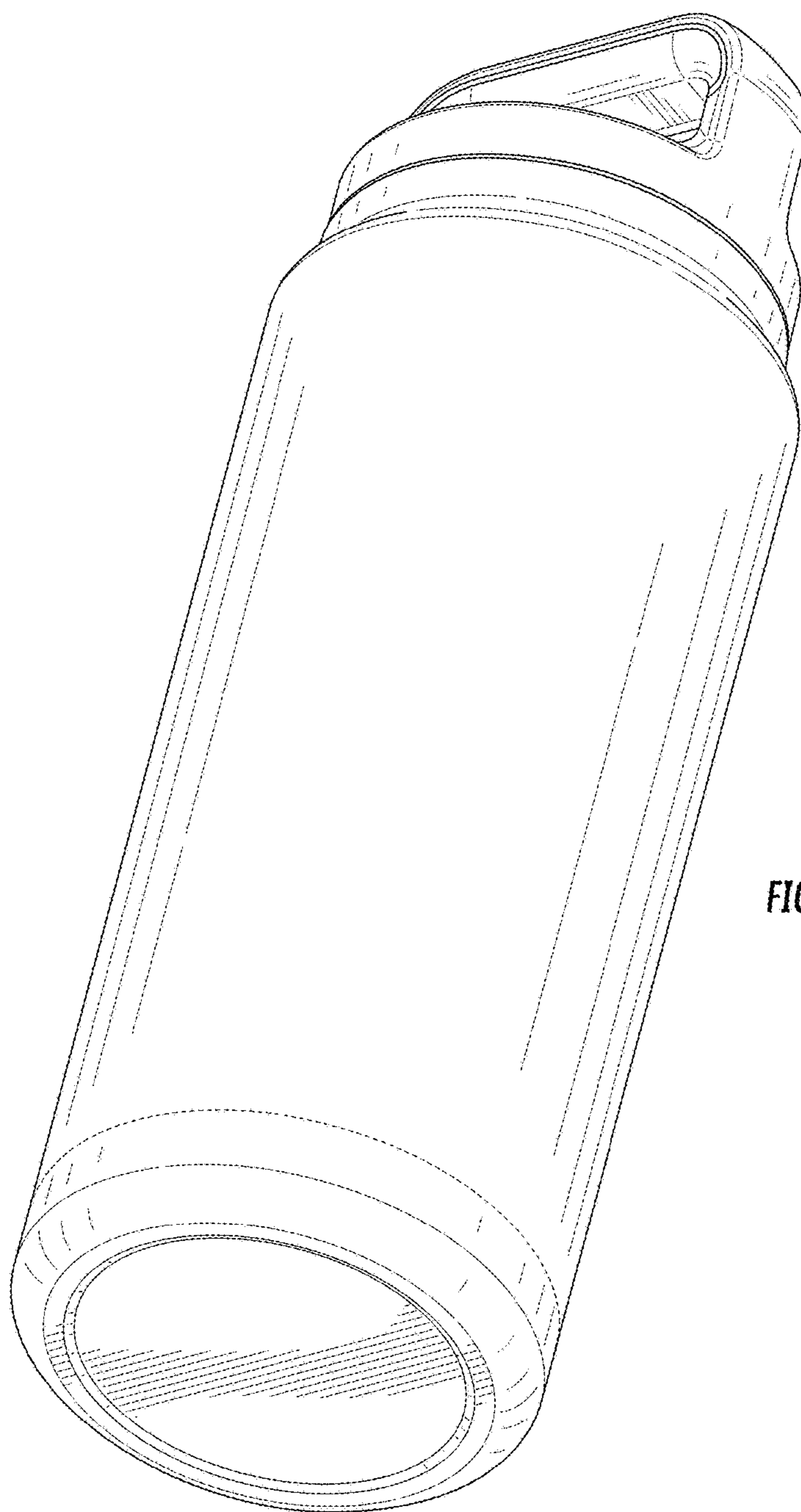


FIG. 2

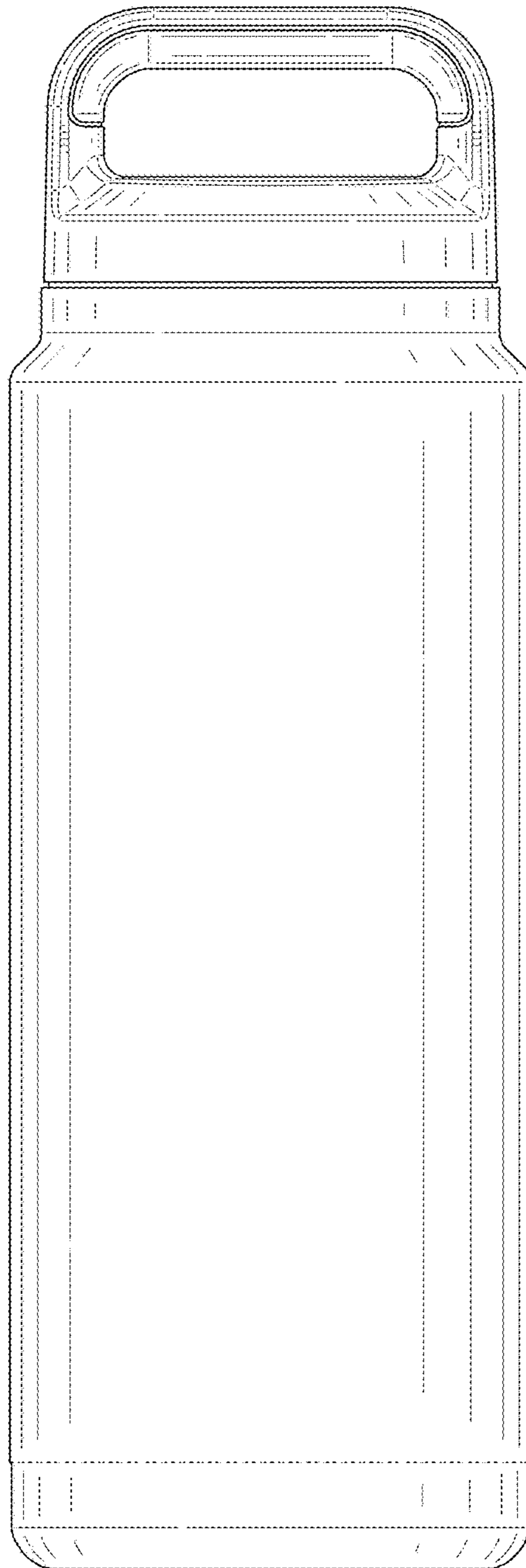


FIG. 3

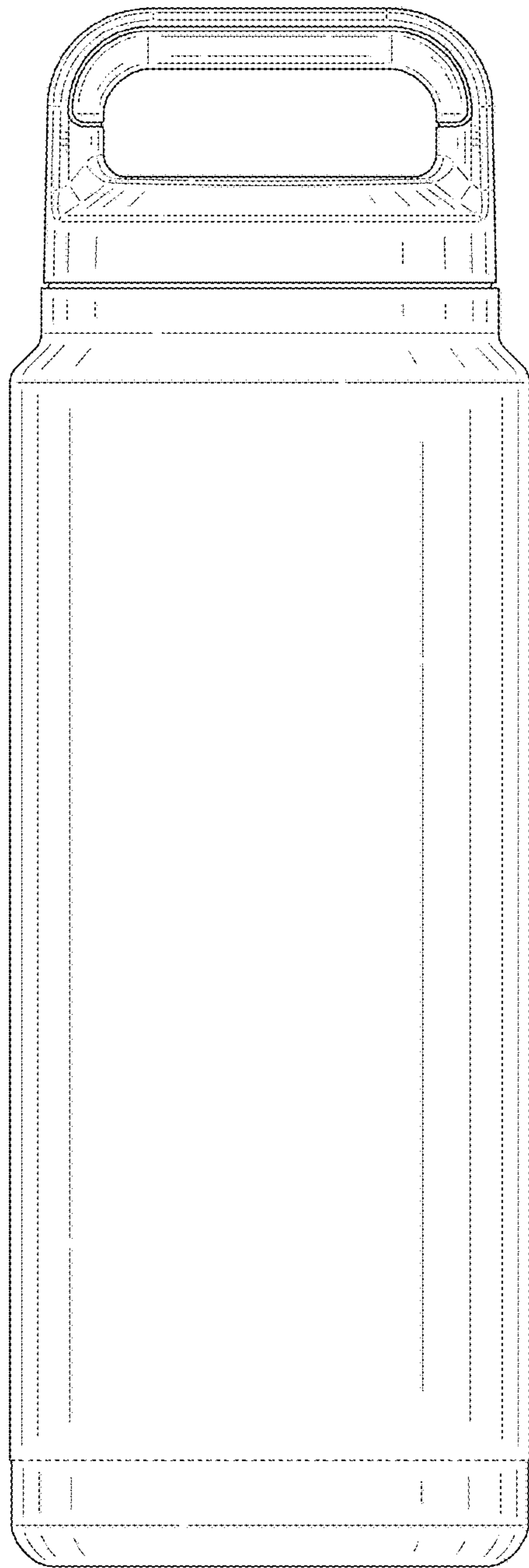


FIG. 4

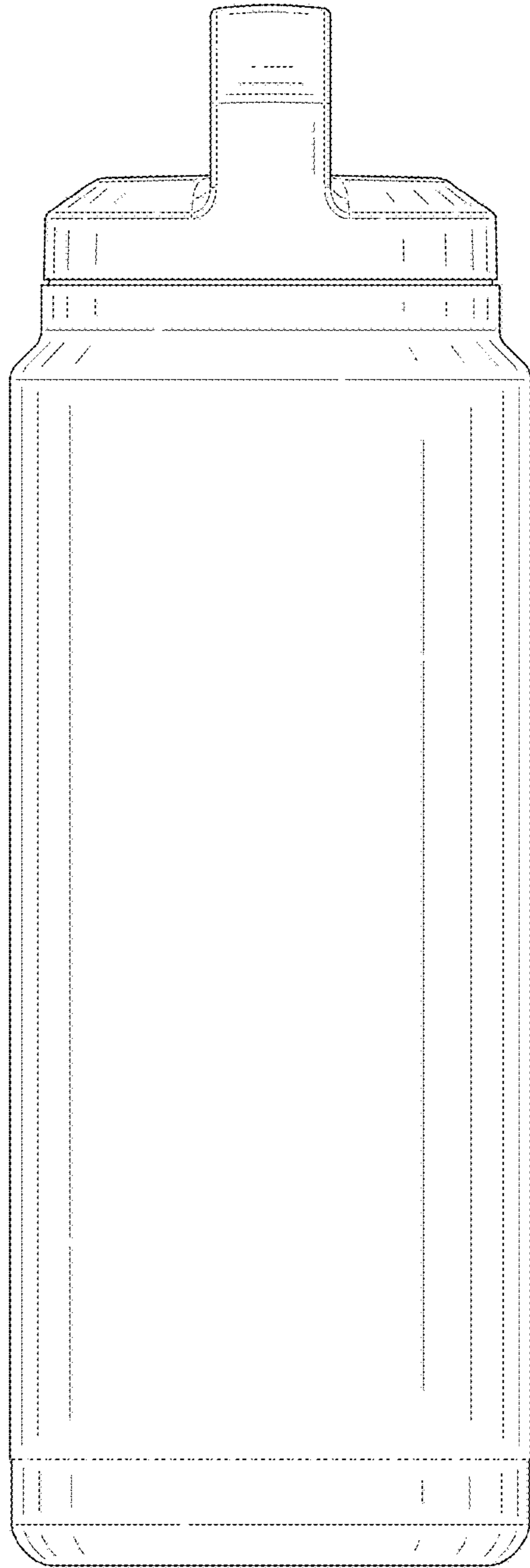


FIG. 5

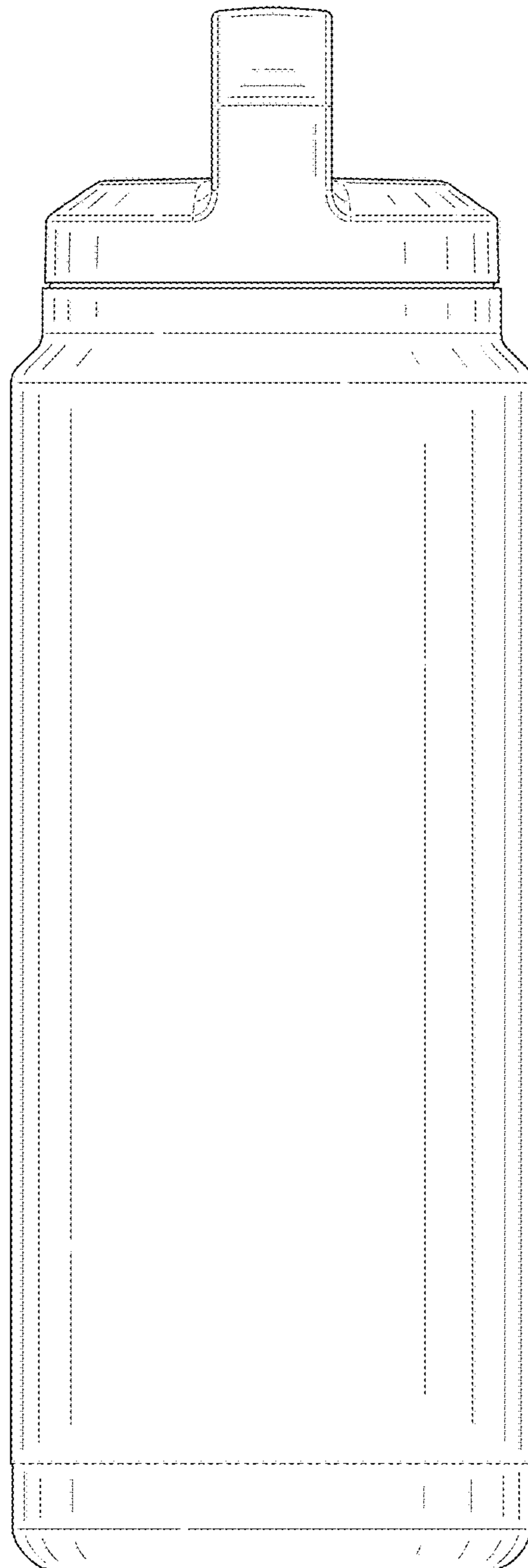


FIG. 6

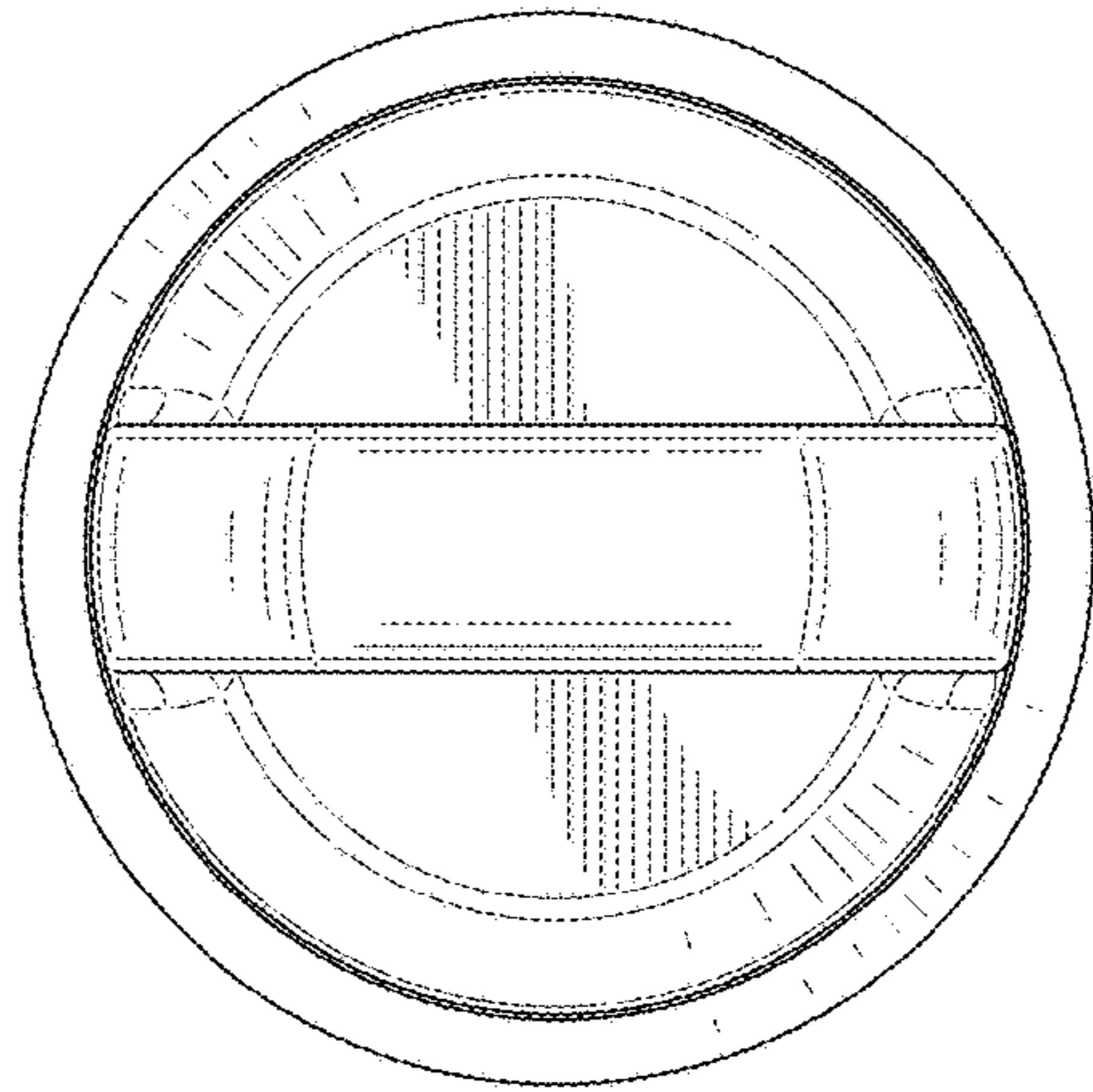


FIG. 7

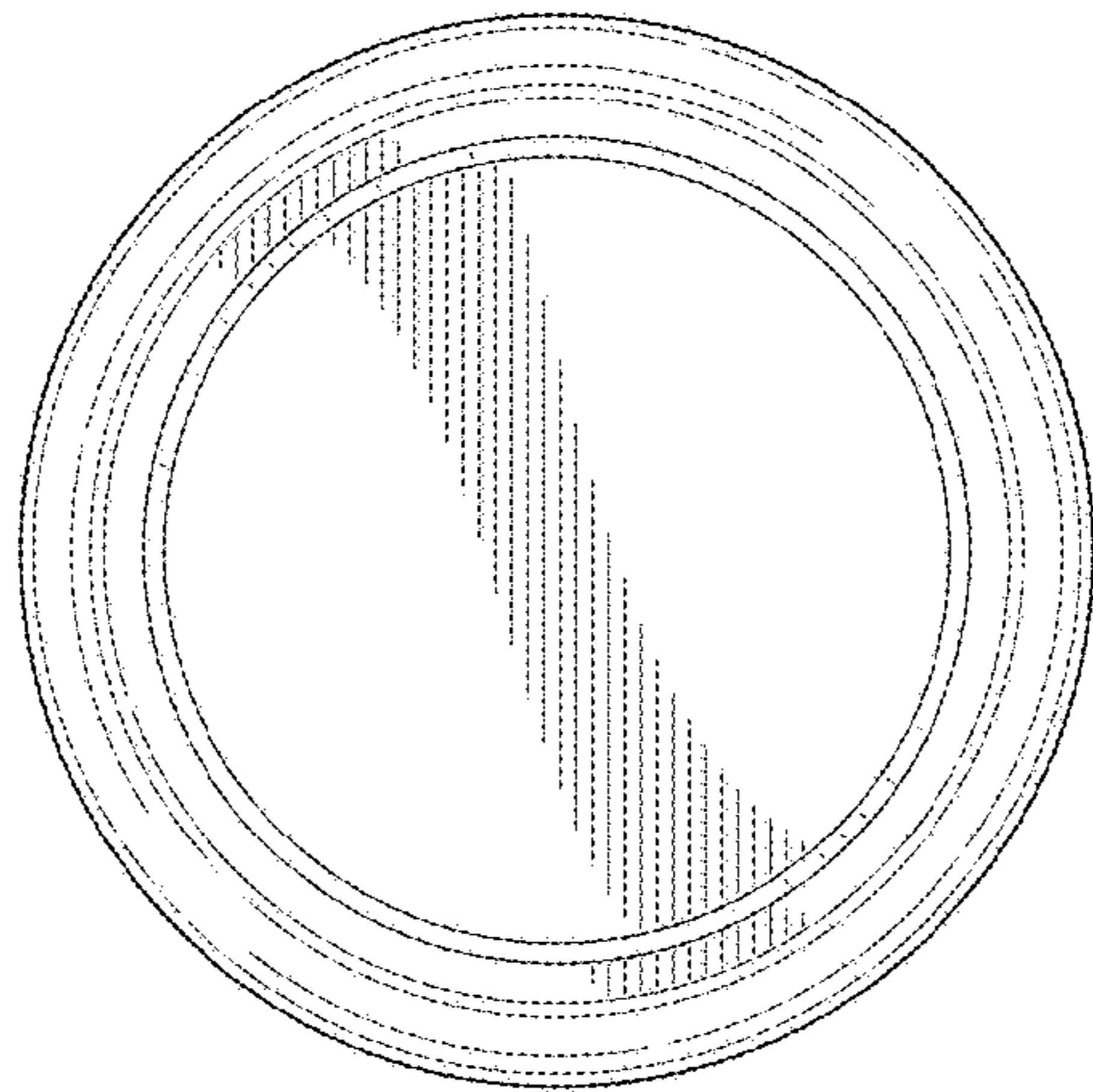


FIG. 8