



US00D856756S

(12) **United States Design Patent**
Light

(10) **Patent No.:** **US D856,756 S**

(45) **Date of Patent:** **** Aug. 20, 2019**

(54) **FLAT LID, SINGLE END WELL FLOATING COOLER**

(71) Applicant: **Kenny Light**, Washburn, MO (US)

(72) Inventor: **Kenny Light**, Washburn, MO (US)

(**) Term: **15 Years**

(21) Appl. No.: **29/633,108**

(22) Filed: **Jan. 12, 2018**

Related U.S. Application Data

(63) Continuation-in-part of application No. 29/582,106, filed on Oct. 25, 2016, now Pat. No. Des. 813,612.

(51) **LOC (12) Cl.** **07-01**

(52) **U.S. Cl.**
USPC **D7/606**

(58) **Field of Classification Search**
USPC D7/604, 606, 619.2, 625, 571, 514;
D9/678; D3/270, 271.11
CPC A01K 97/06; B63B 17/00; A45C 11/20;
F25D 3/08
See application file for complete search history.

(56) **References Cited**

U.S. PATENT DOCUMENTS

4,398,488 A * 8/1983 Mathieu B63B 17/00
114/343
4,638,593 A * 1/1987 Garcia A01K 97/06
43/54.1

6,014,833 A * 1/2000 Benavidez A01K 97/06
206/315.11
D440,122 S * 4/2001 Peterson D7/605
D443,182 S * 6/2001 Peterson D7/605
D569,194 S * 5/2008 Chang D7/605
D613,128 S * 4/2010 Blakeman D7/606

* cited by examiner

Primary Examiner — Terry A Wallace

(74) *Attorney, Agent, or Firm* — Keisling & Pieper PLC;
David B. Pieper

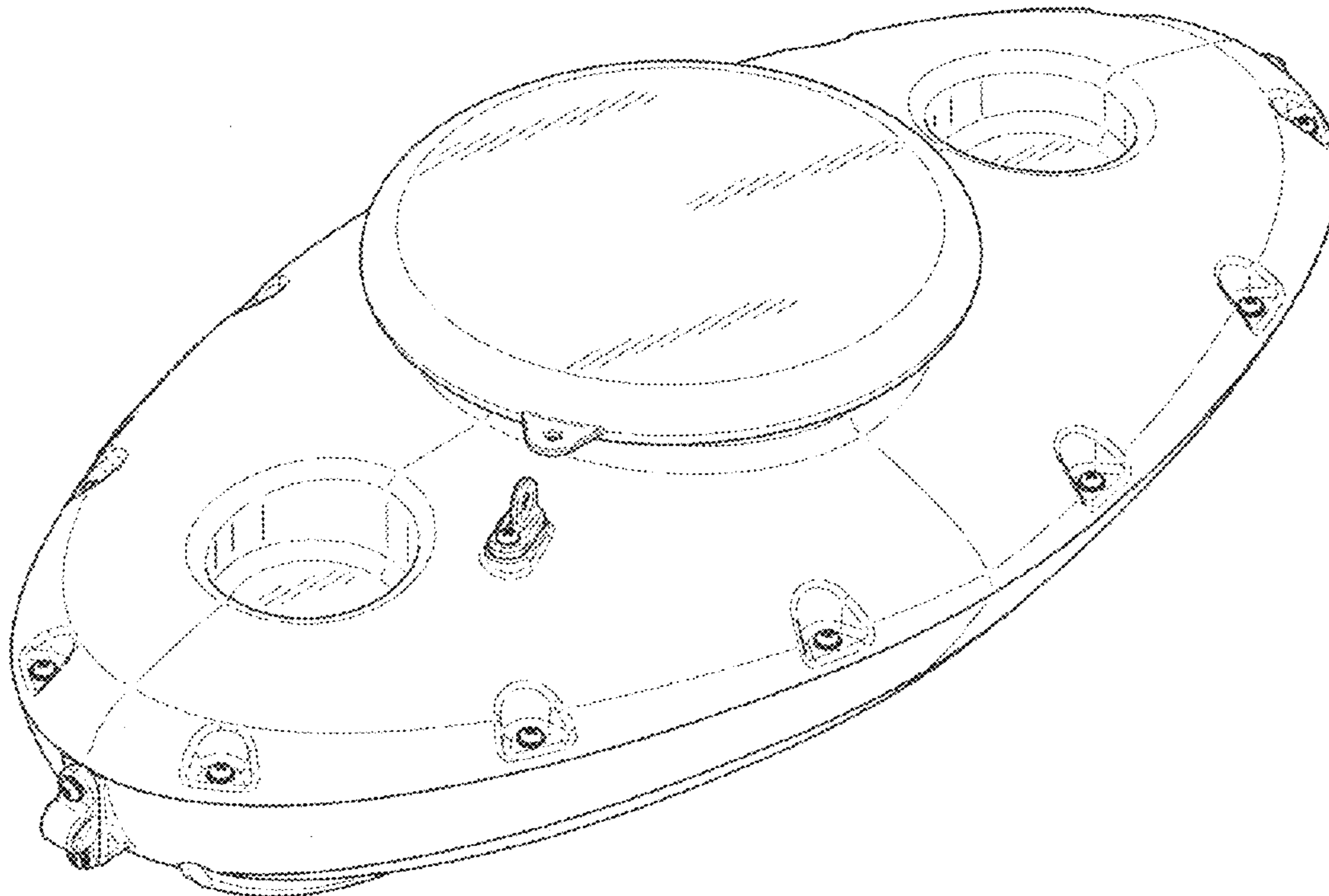
(57) **CLAIM**

The ornamental design for a flat lid, single end well floating cooler, as shown and described.

DESCRIPTION

FIG. 1 is a perspective view of a flat lid, single end well floating cooler;
FIG. 2 is a bottom perspective view thereof;
FIG. 3 is a left side view thereof;
FIG. 4 is a right side view thereof;
FIG. 5 is a top view thereof;
FIG. 6 is a bottom view thereof;
FIG. 7 is a front view thereof;
FIG. 8 is a back view thereof;
FIG. 9 is a perspective view with the lid removed, showing the hollow interior; and,
FIG. 10 is a right side view with the lid removed.
The broken lines are for illustrative purposes only and form no part of the claimed design.

1 Claim, 8 Drawing Sheets



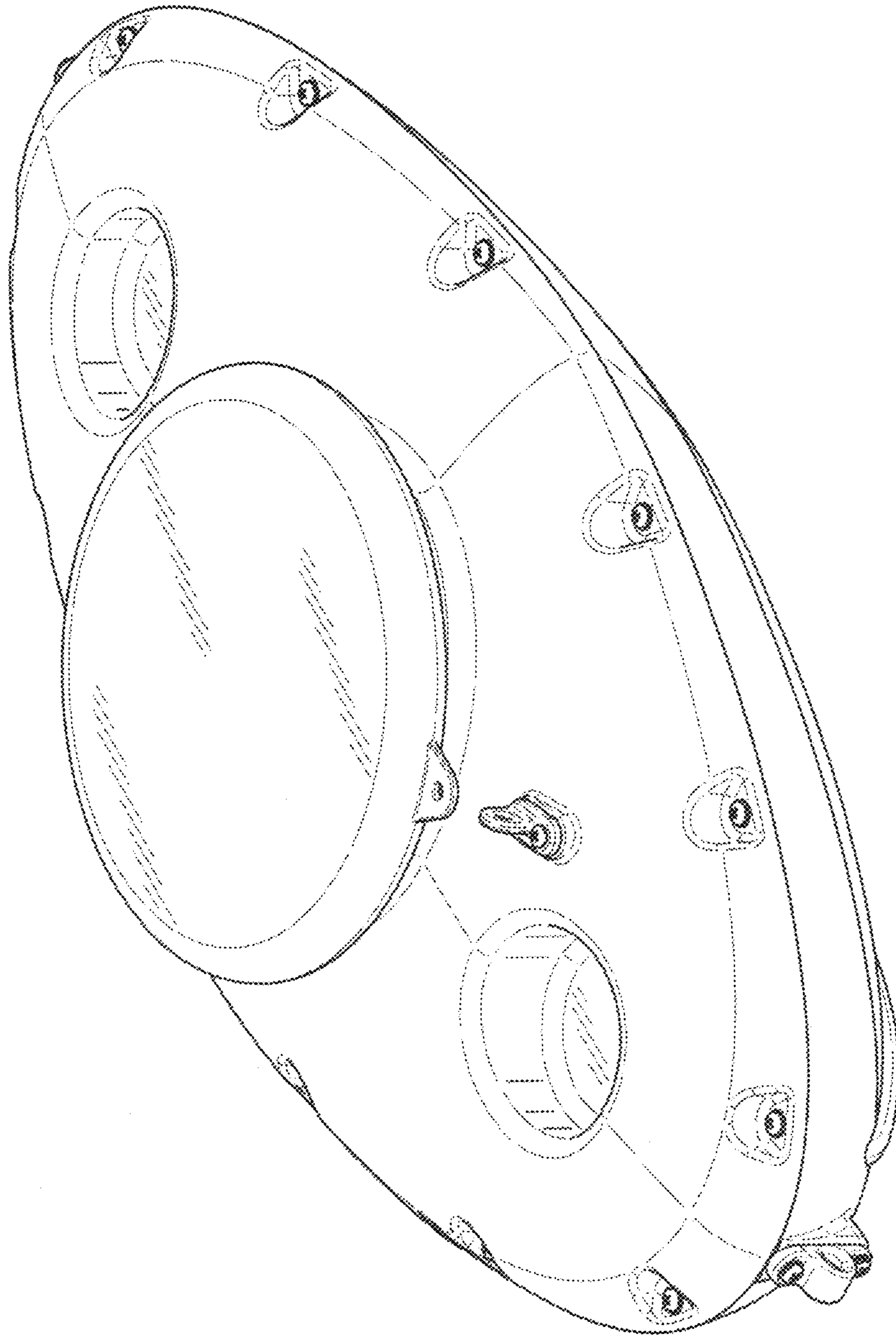


FIG. 1



FIG. 2

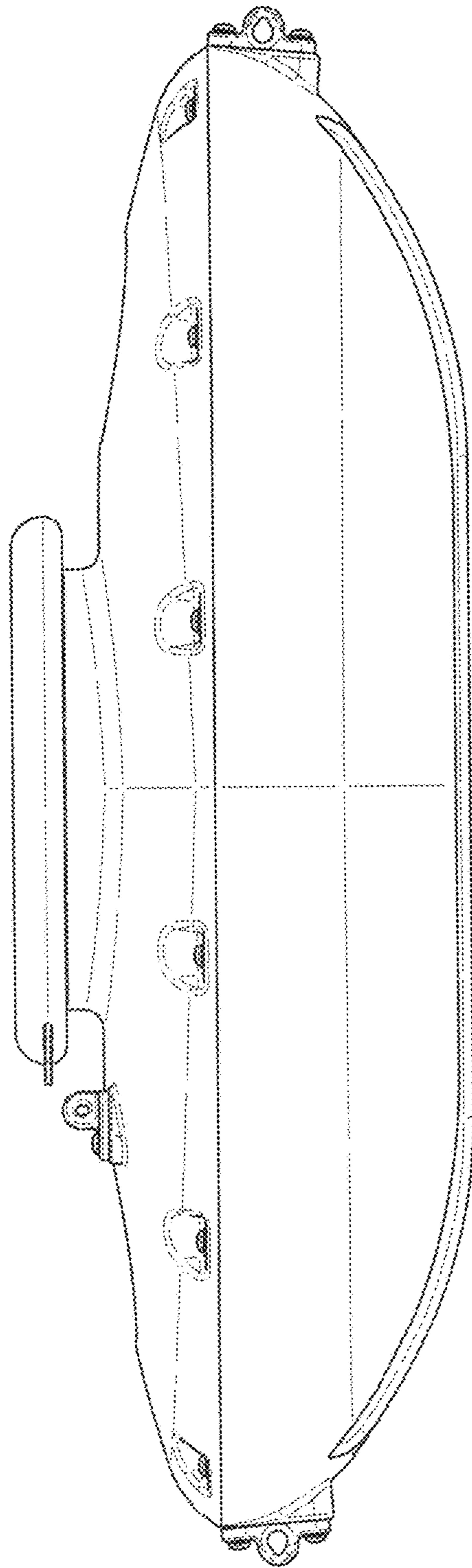


FIG. 3

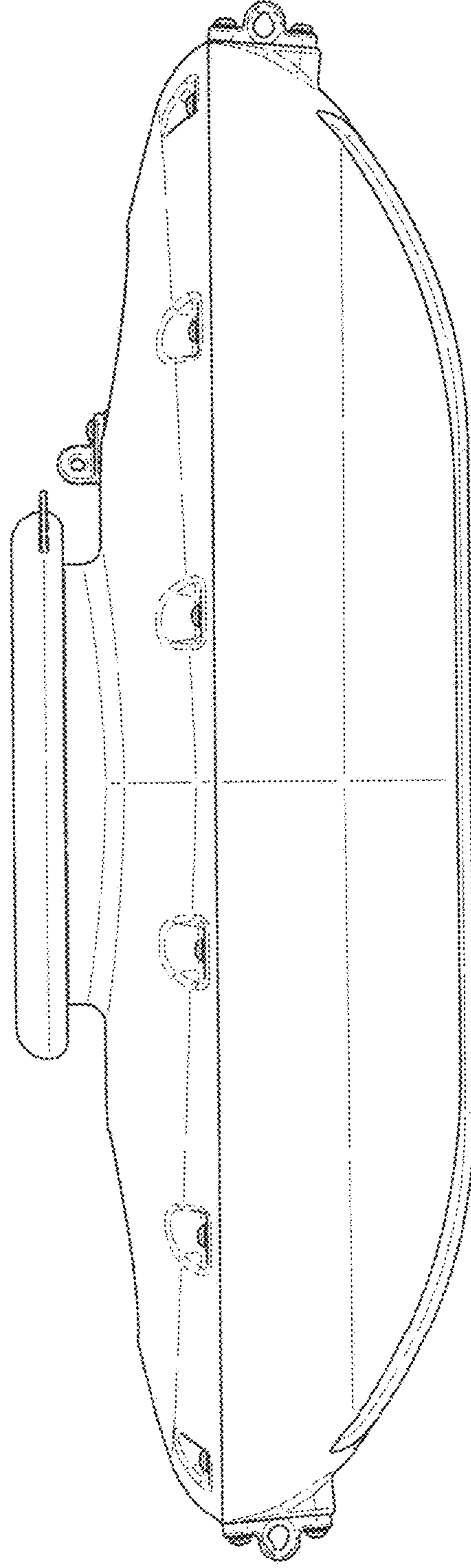


FIG. 4

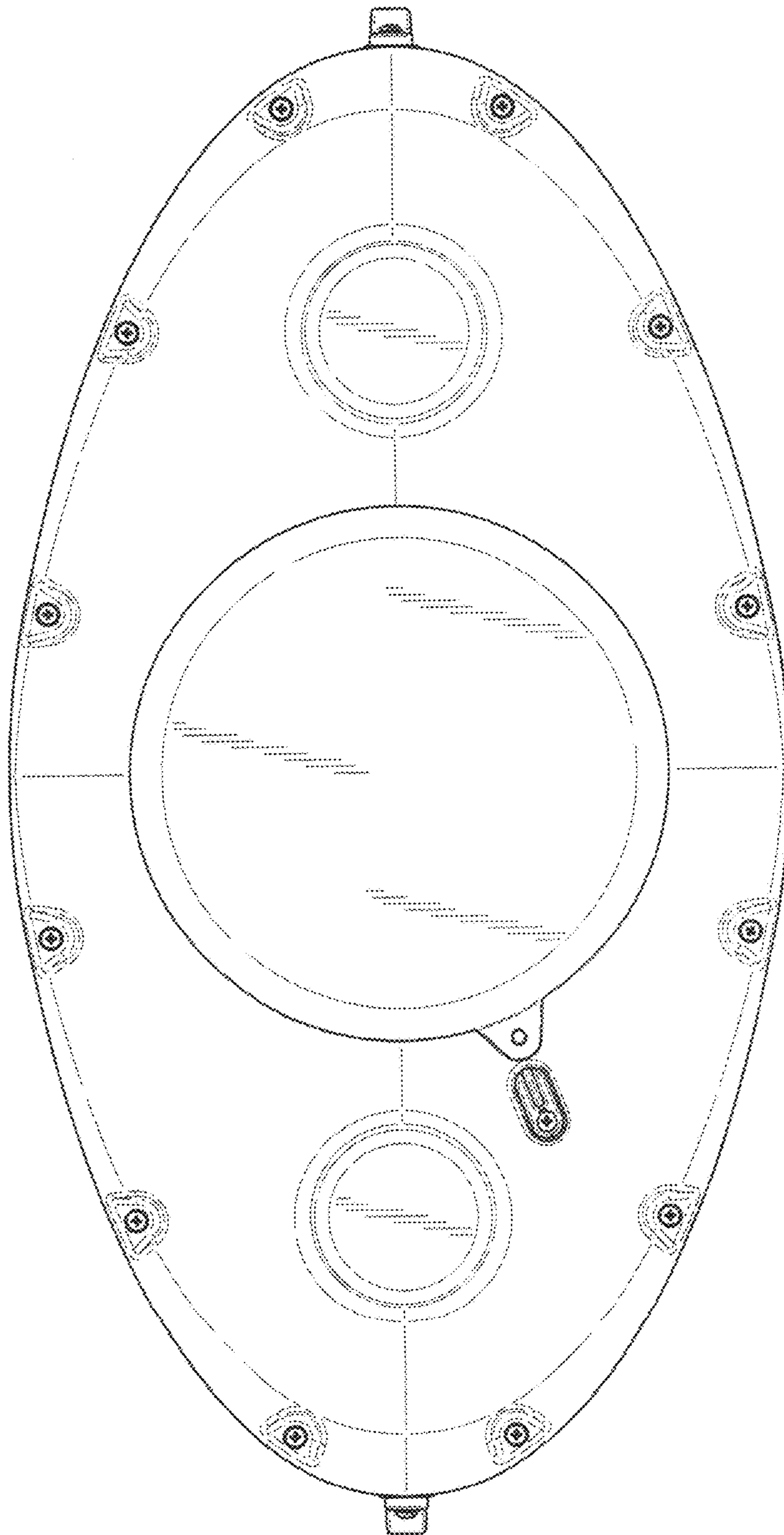


FIG. 5

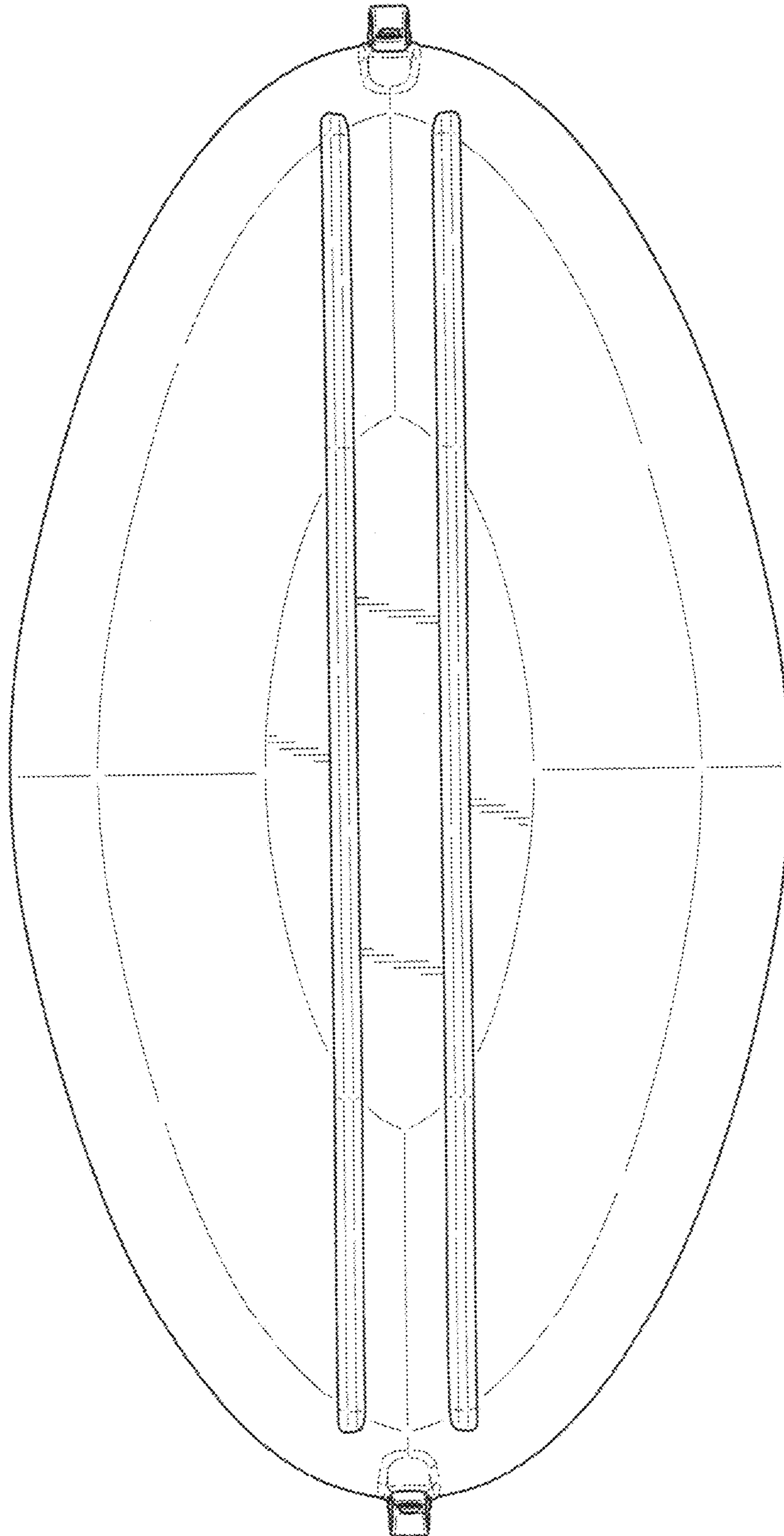


FIG. 6

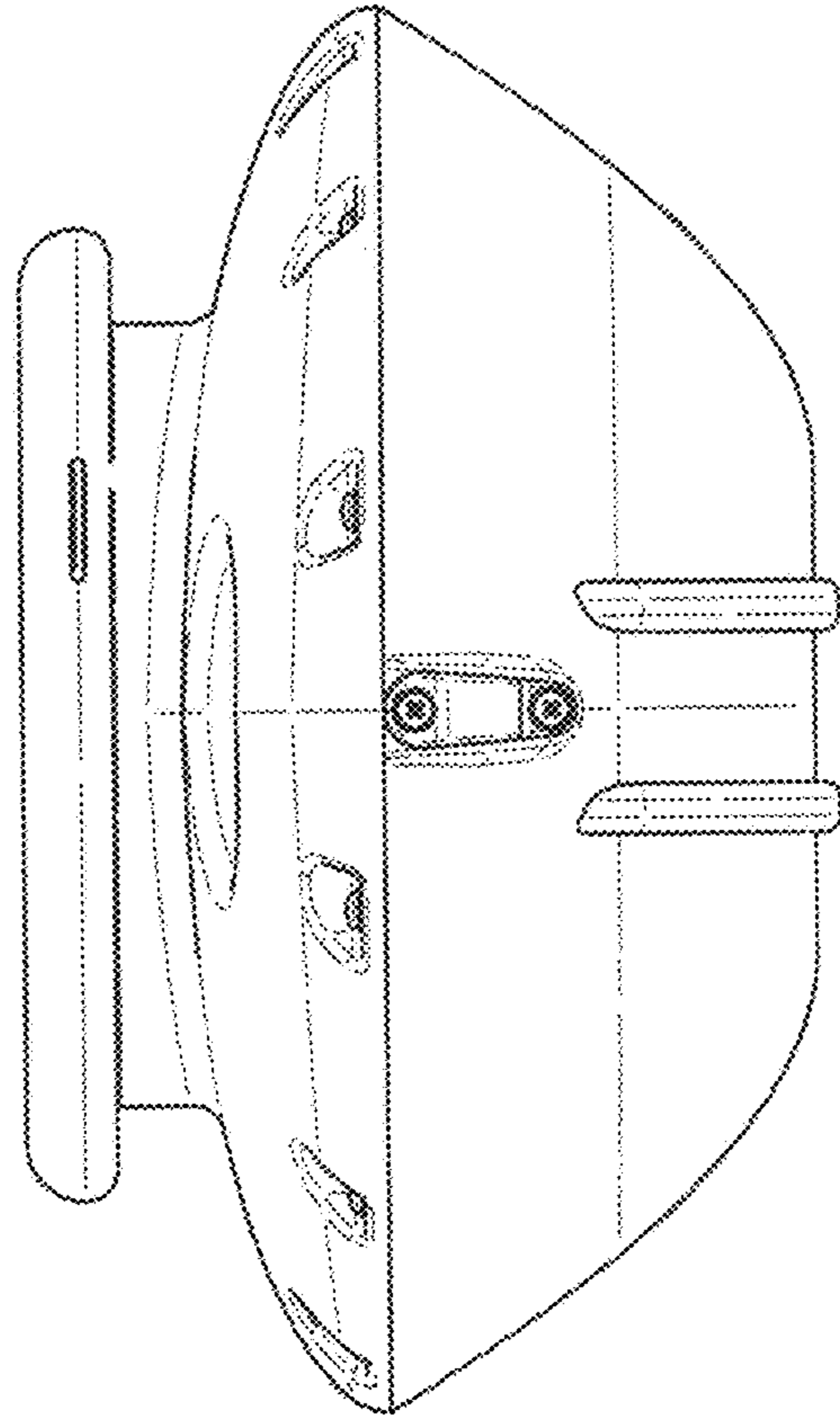


FIG. 7

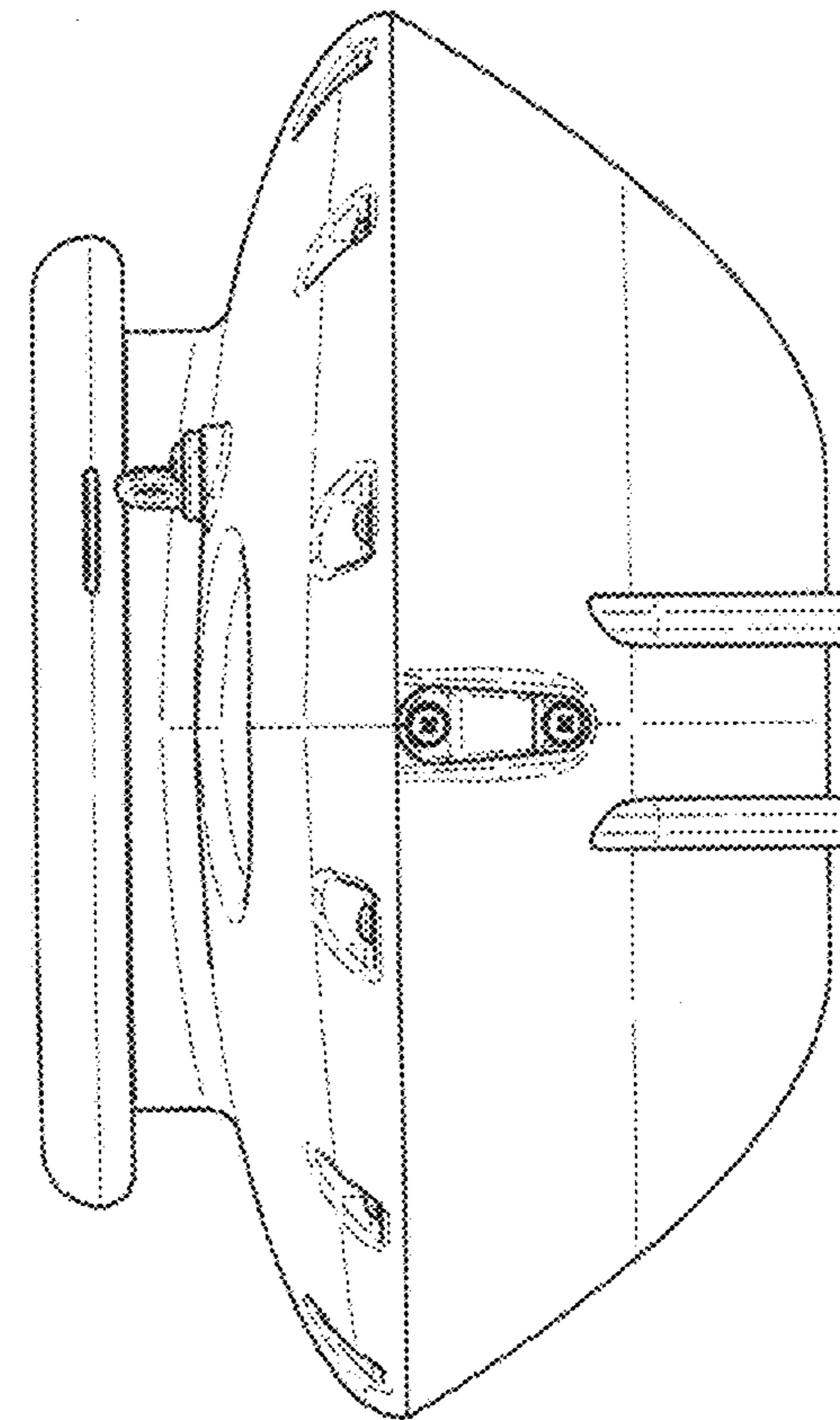


FIG. 8

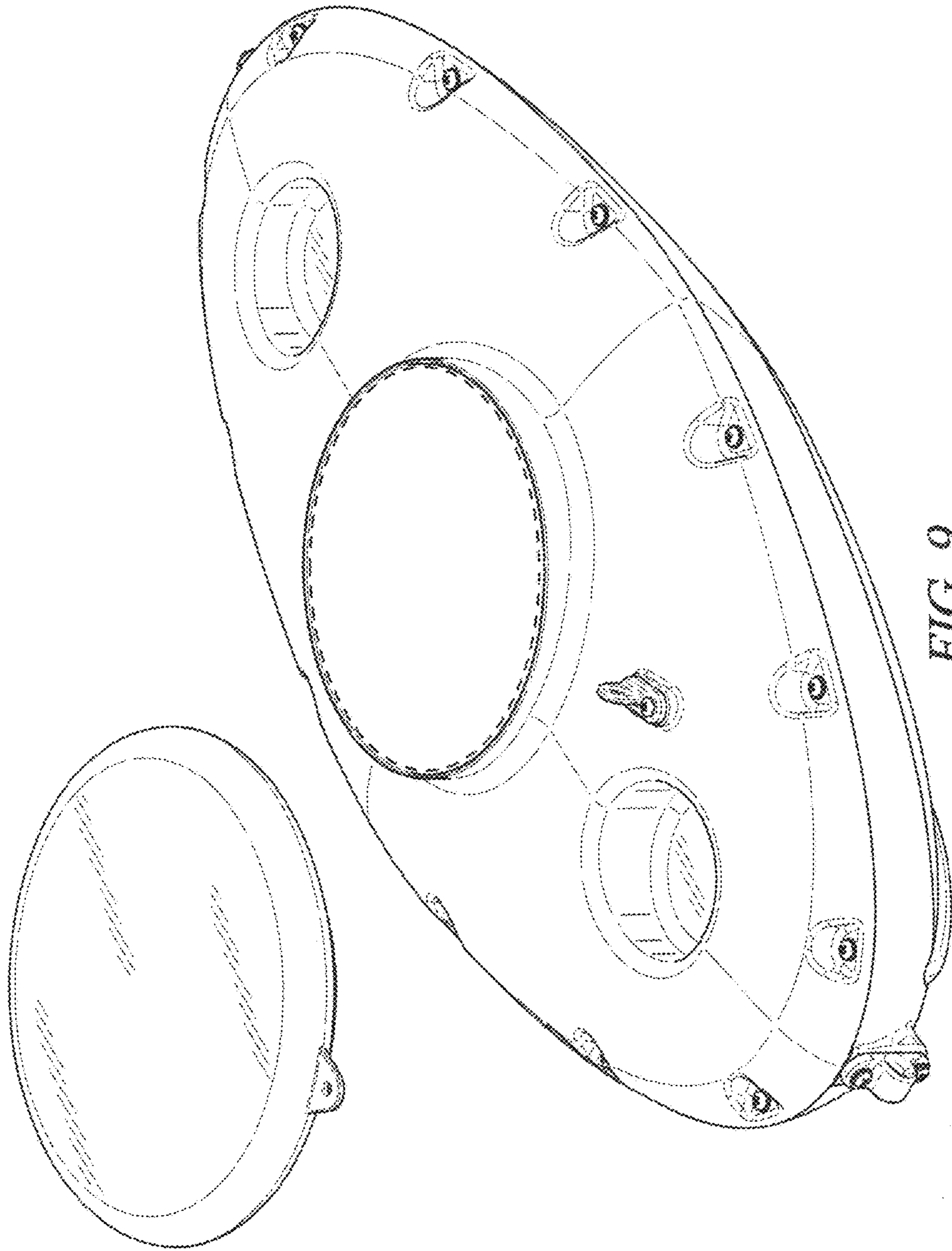


FIG. 9

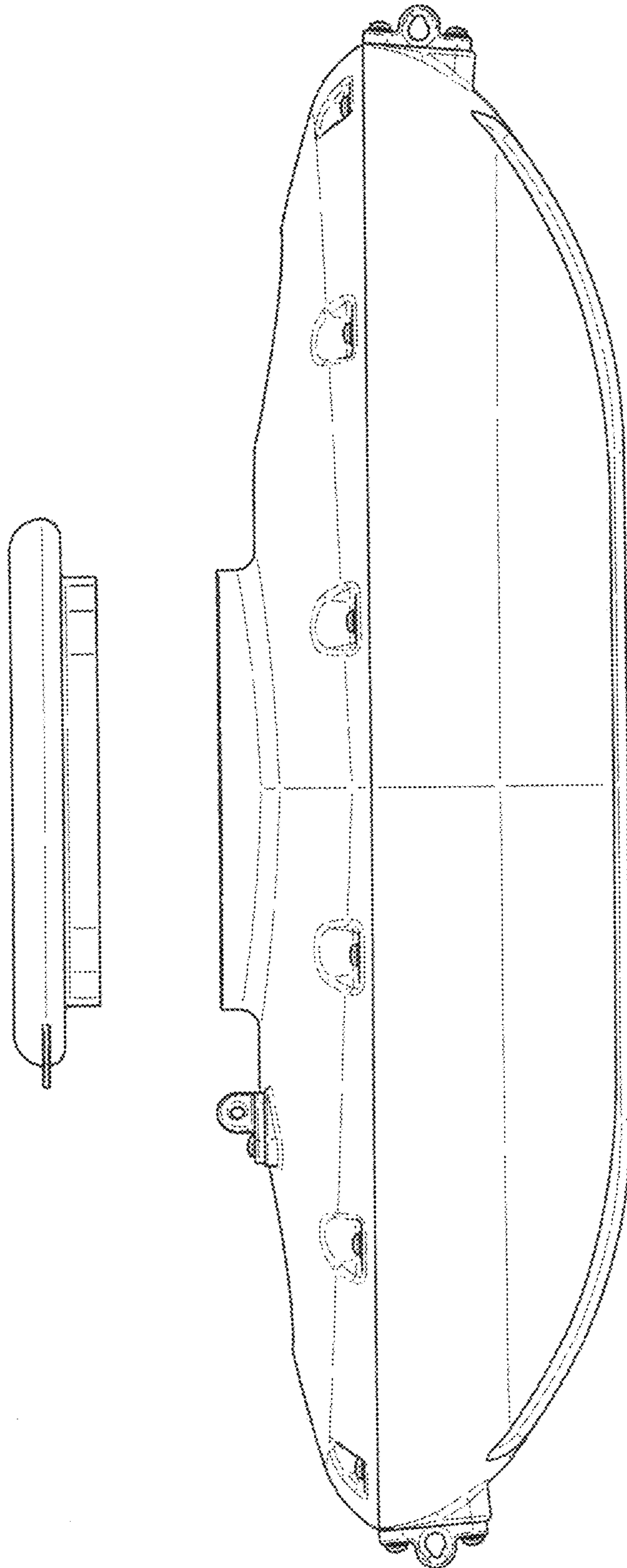


FIG. 10