



US00D856753S

(12) **United States Design Patent** (10) **Patent No.:** **US D856,753 S**
Yildiz (45) **Date of Patent:** **** Aug. 20, 2019**

(54) **DRINKING CUP**
(71) Applicant: **Ecevit Yildiz**, Rotterdam (NL)
(72) Inventor: **Ecevit Yildiz**, Rotterdam (NL)
(**) Term: **15 Years**
(21) Appl. No.: **35/503,661**
(22) Filed: **Jul. 26, 2017**

D267,140 S * 12/1982 Thompson D7/531
D292,664 S * 11/1987 Zimmermann D7/317
D379,738 S * 6/1997 Liming D7/510
D436,295 S * 1/2001 Furman D7/509
D526,847 S * 8/2006 Freeman D7/523
D571,612 S * 6/2008 Wood D7/515
D613,554 S * 4/2010 Koennecke D7/509
D724,098 S * 3/2015 Matias D14/485
D813,605 S * 3/2018 Seiders D7/532
D821,144 S * 6/2018 Fairchild, Jr. D7/509

* cited by examiner

(80) **Hague Agreement Data**

Int. Filing Date: **Jul. 26, 2017**
Int. Reg. No.: **DM/097508**
Int. Reg. Date: **Jul. 26, 2017**
Int. Reg. Pub. Date: **Sep. 15, 2017**

Primary Examiner — Sheryl Lane
Assistant Examiner — Nicole C Shiflet

(51) **LOC (12) Cl.** **07-01**
(52) **U.S. Cl.**
USPC **D7/509**

(57) **CLAIM**

The ornamental design for a drinking cup, as shown and described.

(58) **Field of Classification Search**
USPC D7/300, 305, 312–317, 321, 387, 396.2,
D7/396.4, 396.5, 900, 509, 510, 511,
D7/514–517, 669; D9/500, 549, 558, 545
CPC B65D 2543/00046; B65D 43/065; B65D
43/06; B65D 2231/022
See application file for complete search history.

DESCRIPTION

1. Drinking cup
Fig. 1.1 shows a top view of the present invention.
Fig. 1.2 shows a side view of the invention.
Fig. 1.3 shows a bottom view of the invention.
Fig. 1.4 shows a top perspective view of the invention.
Fig. 1.5 shows an alternate side view of the invention.
Fig. 1.6 shows a bottom perspective of the invention.

(56) **References Cited**

U.S. PATENT DOCUMENTS

D101,207 S * 9/1936 Boyce D7/315
D228,173 S * 8/1973 Kretz D7/316

1 Claim, 6 Drawing Sheets

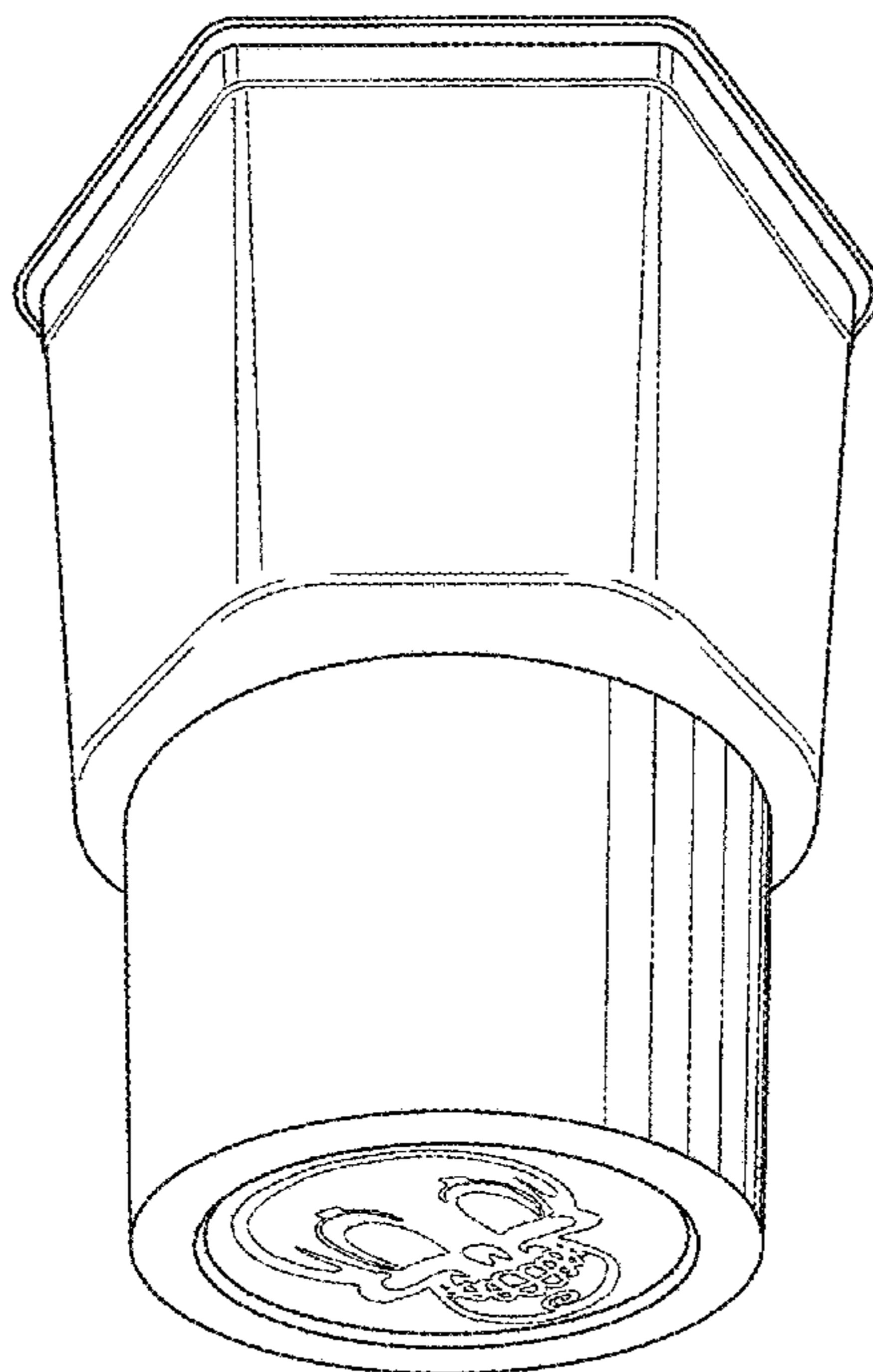




Fig. 1.1

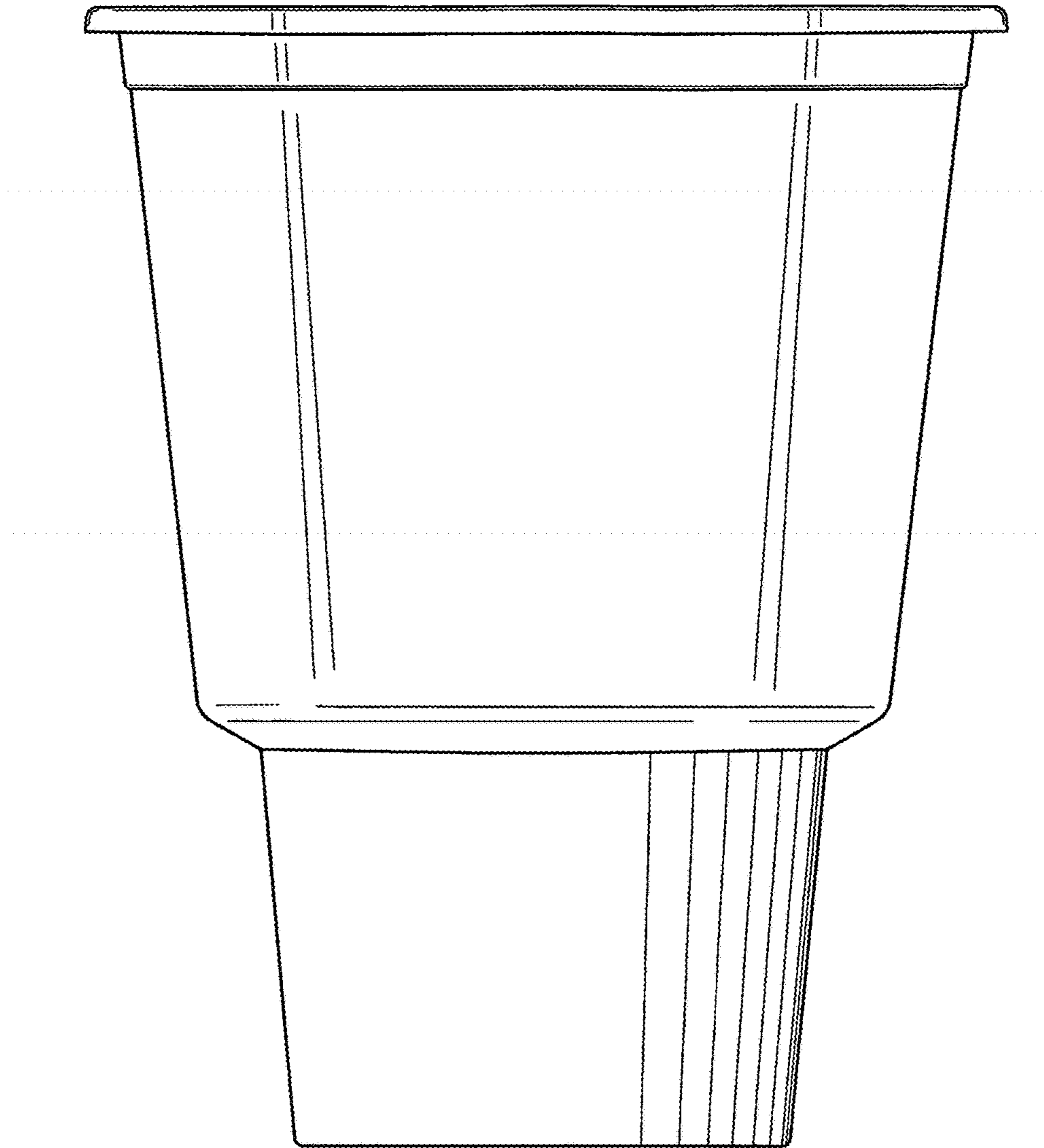


Fig. 1.2

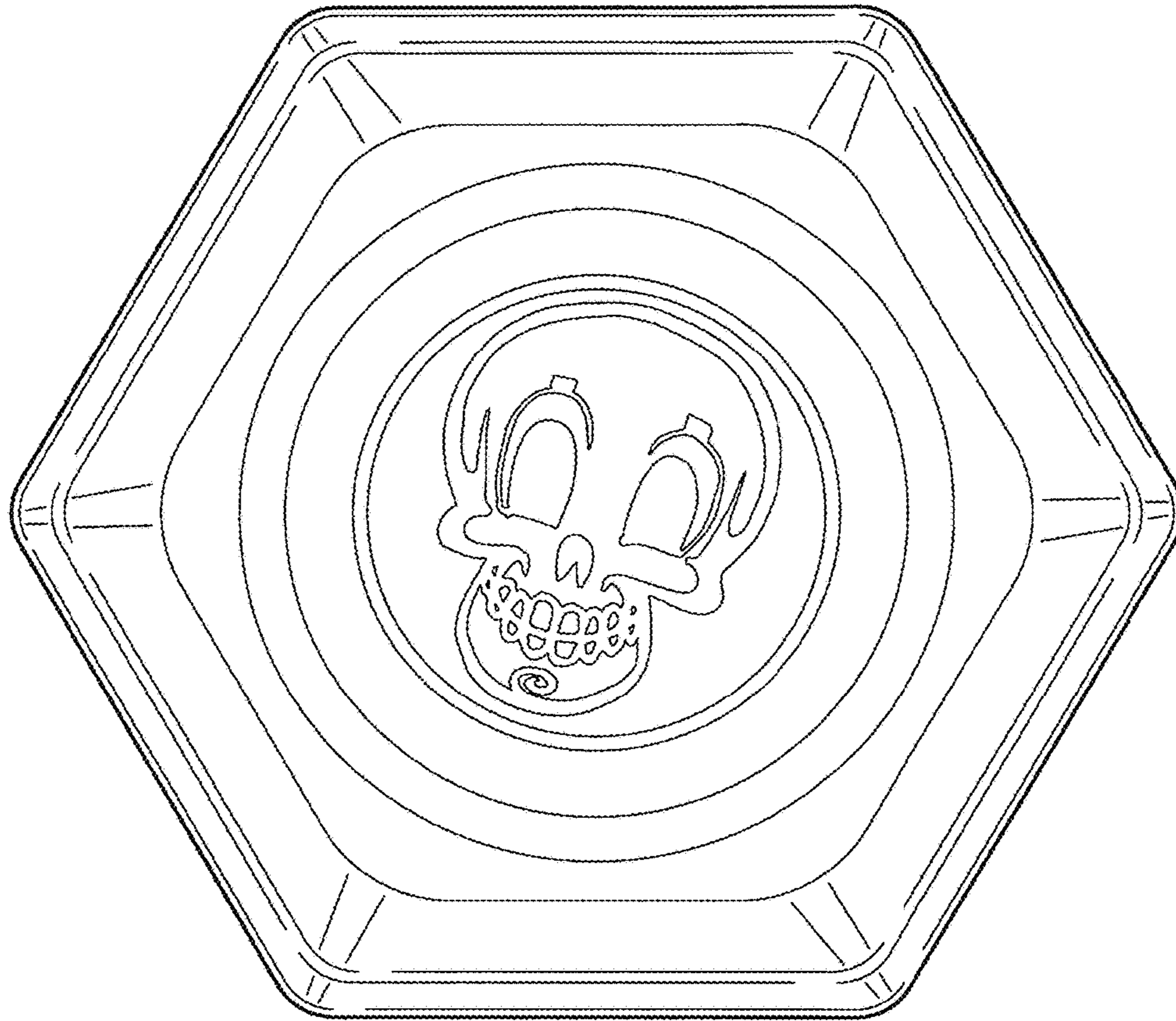


Fig. 1.3

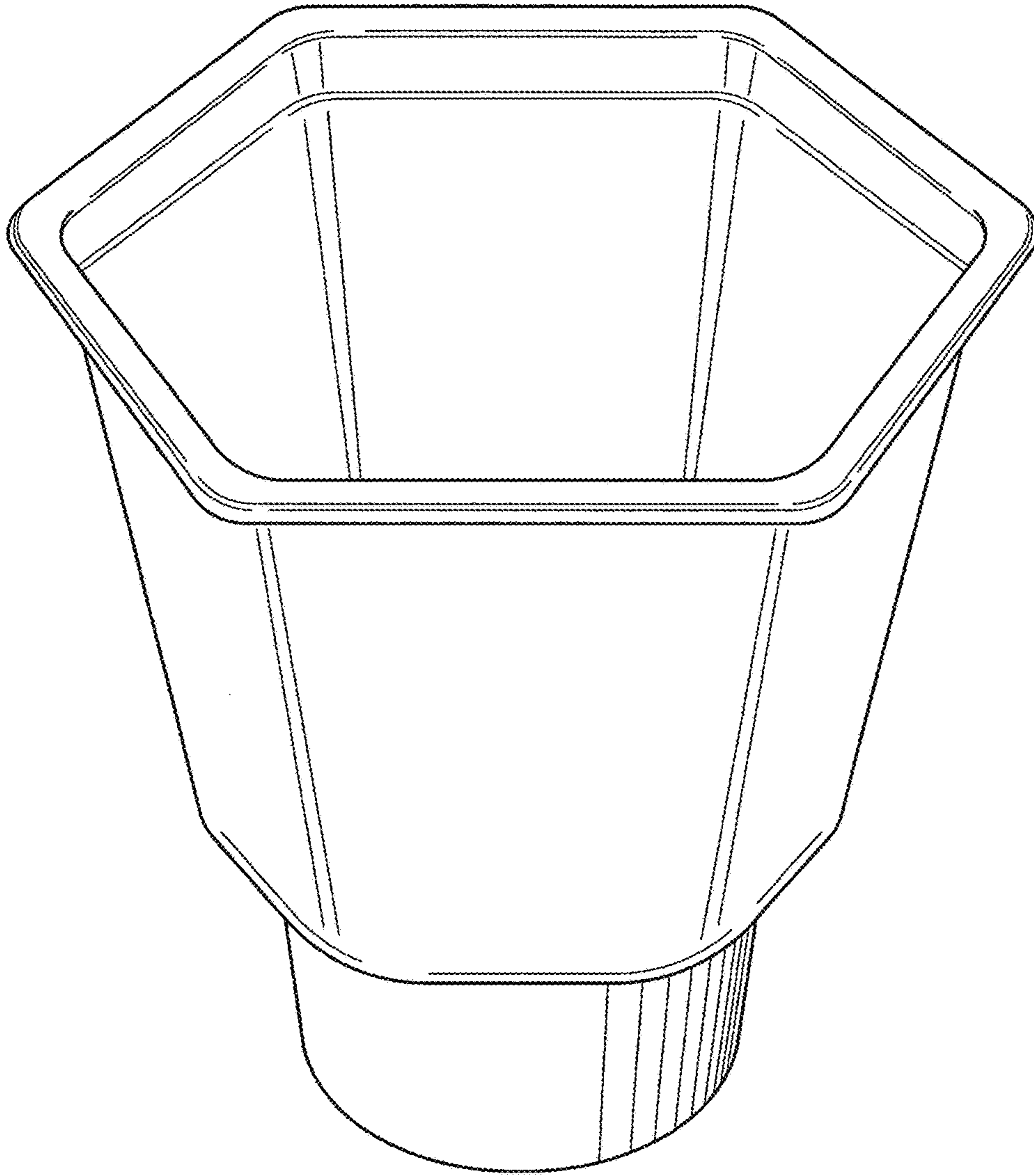


Fig. 1.4

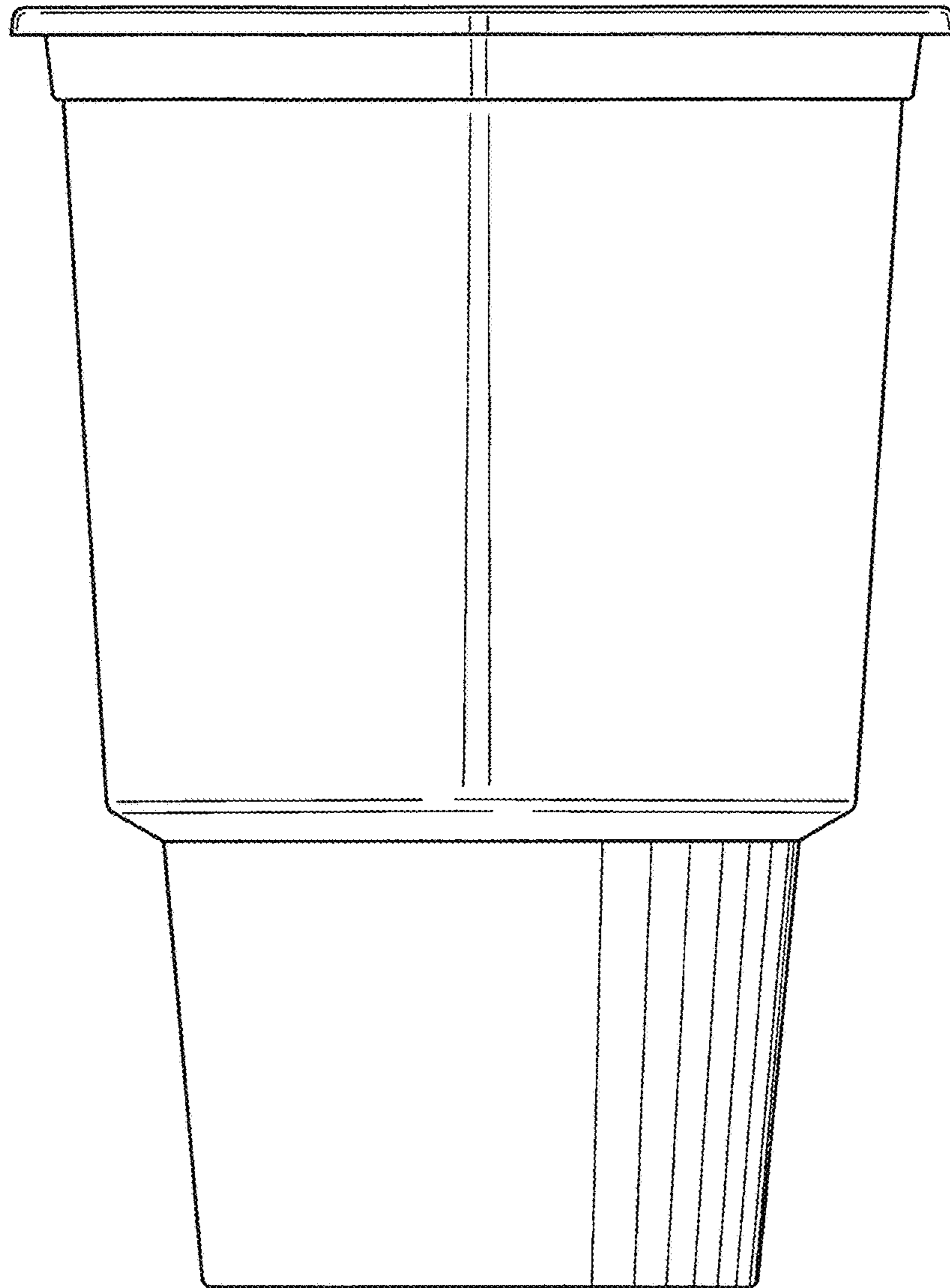


Fig. 1.5

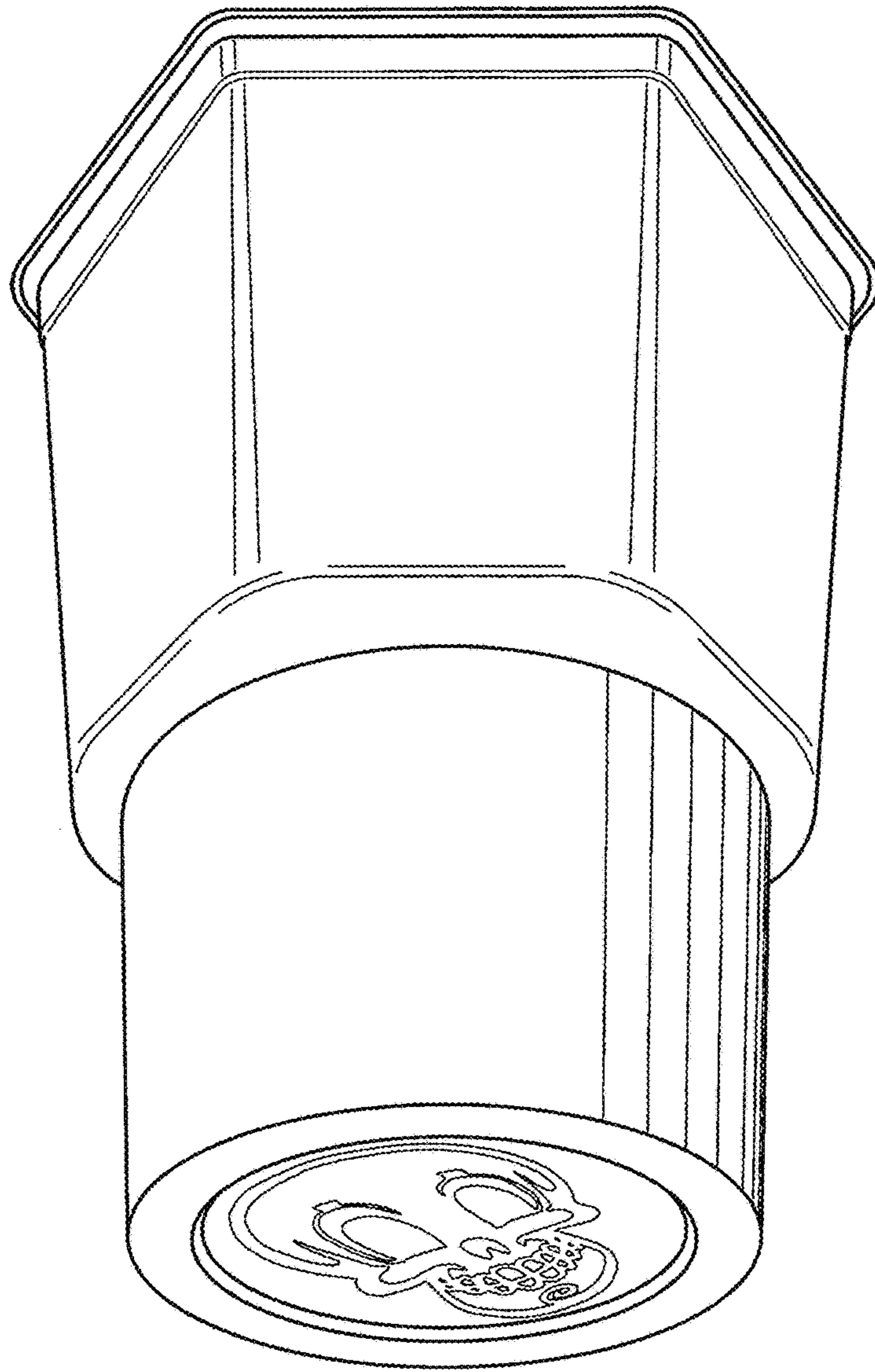


Fig. 1.6