



US00D856749S

(12) **United States Design Patent** (10) **Patent No.:** **US D856,749 S**
Joseph et al. (45) **Date of Patent:** **** Aug. 20, 2019**

(54) **BEVERAGE CONTAINER** 8,752,720 B1 * 6/2014 Habig B65D 55/16
215/306
(71) Applicant: **Ignite USA, LLC**, Wichita, KS (US) D762,117 S * 7/2016 Joseph D7/387
D763,622 S * 8/2016 Shirley D7/511
(72) Inventors: **David Joseph**, St. Charles, IL (US); D786,619 S * 5/2017 Joseph D7/510
Blair Miller, Chicago, IL (US) D806,465 S * 1/2018 Boroski D7/391
D814,235 S * 4/2018 Shirley D7/392.1
D822,439 S * 7/2018 Spivey D7/510
(73) Assignee: **Ignite USA, LLC**, Chicago, IL (US) D832,031 S * 10/2018 Washburn D7/392.1
D833,820 S * 11/2018 Bram D7/511
D834,373 S * 11/2018 Spivey D7/510
D835,938 S * 12/2018 Zou D7/392.1
(**) Term: **15 Years** 2007/0175931 A1 * 8/2007 Leoncavallo B65D 47/0895
222/556
(21) Appl. No.: **29/605,201** 2009/0236341 A1 * 9/2009 McKinney A47G 19/2266
220/375

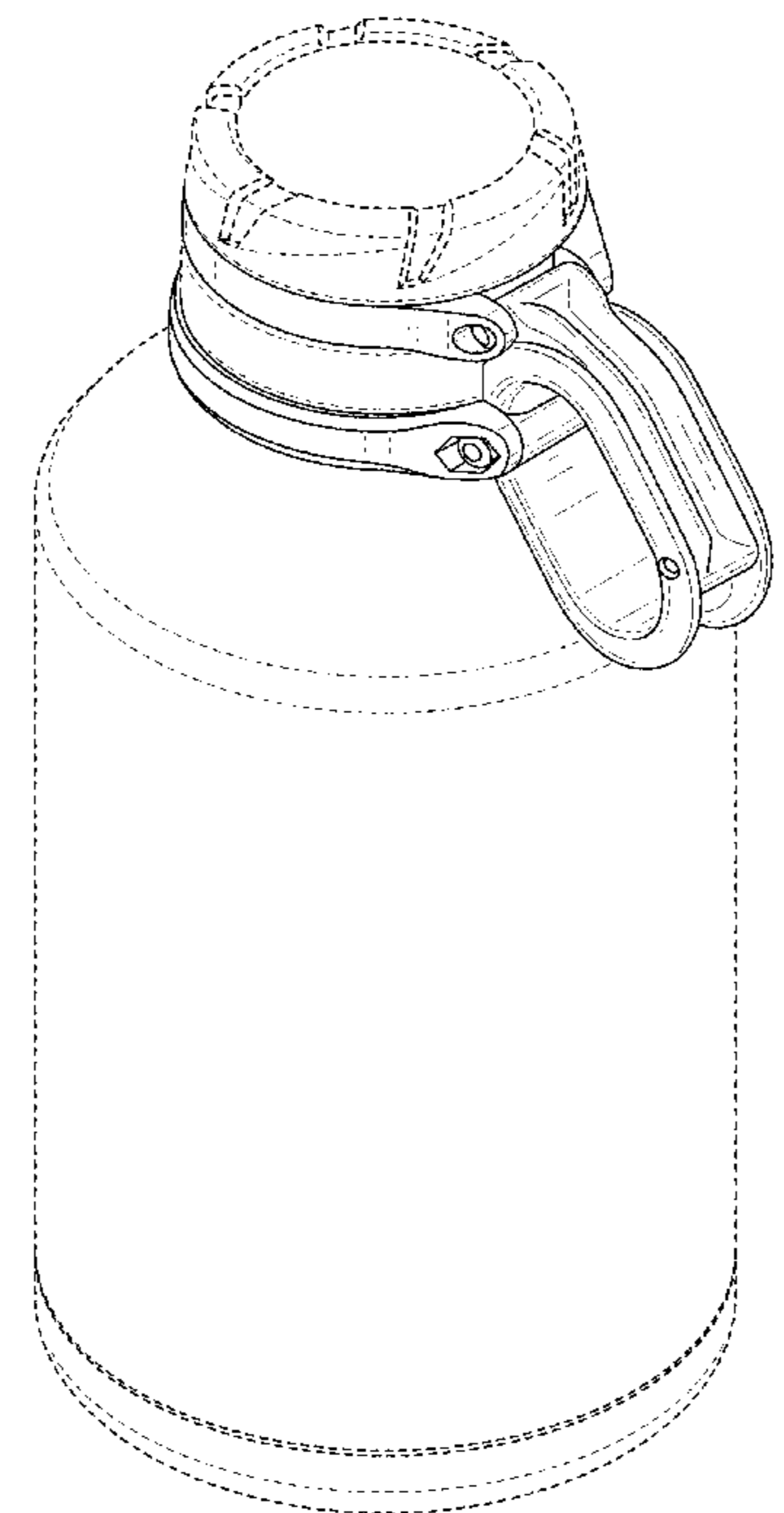
(22) Filed: **Jun. 2, 2017**
(51) **LOC (12) Cl.** **07-02**
(52) **U.S. Cl.**
USPC **D7/394**; D7/392.1
(58) **Field of Classification Search**
USPC D7/394, 507, 509, 510, 511, 523, 529,
D7/531, 532, 533, 535, 536, 508, 392.1,
D7/396.2, 387, 543, 608; D9/517, 567,
D9/554, 555, 558, 503, 504, 552, 540
CPC .. B25B 13/52; B67B 7/00; B67B 7/14; B67B
7/16; A47G 19/22; A47G 19/2227; A45F
3/20
See application file for complete search history.

(56) **References Cited**
U.S. PATENT DOCUMENTS
5,433,339 A * 7/1995 Sarver A45F 3/04
220/756
D508,185 S * 8/2005 Gauss D7/392.1
D658,446 S * 5/2012 George D7/511
D660,082 S * 5/2012 Wahl D7/510
D672,648 S * 12/2012 Goto D9/443

* cited by examiner
Primary Examiner — Cynthia M. Chin
(57) **CLAIM**
The ornamental design for a “beverage container,” as shown
and described.

DESCRIPTION
FIG. 1 is a perspective view of a beverage container showing
a new design;
FIG. 2 is a back view thereof;
FIG. 3 is a front view thereof;
FIG. 4 is a left view thereof;
FIG. 5 is a right view thereof;
FIG. 6 is a top view thereof; and,
FIG. 7 is a bottom view thereof.
The broken lines shown are included for the purpose of
illustrating portions of the article which form no part of the
claimed design.

1 Claim, 6 Drawing Sheets



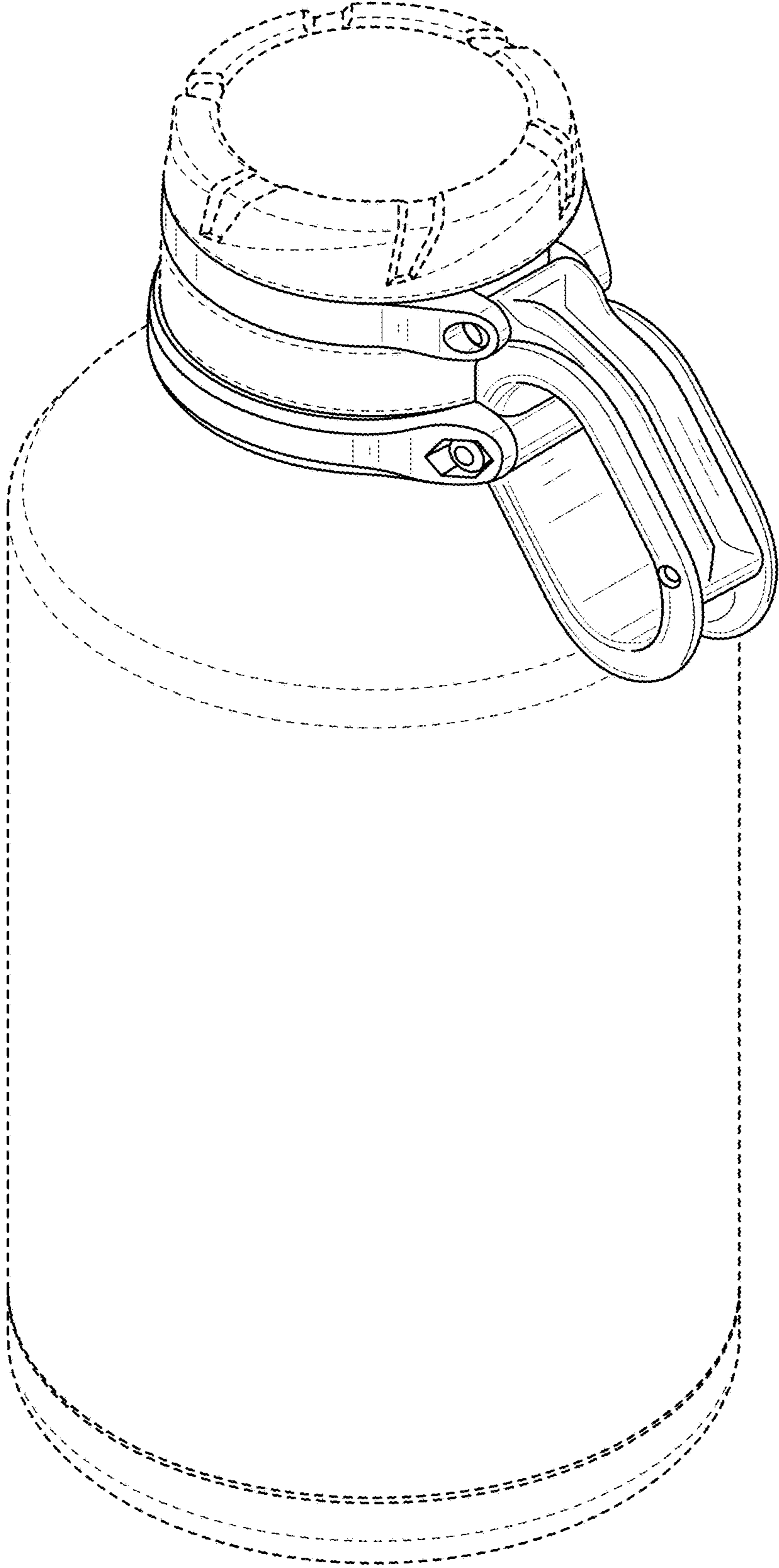


FIG. 1

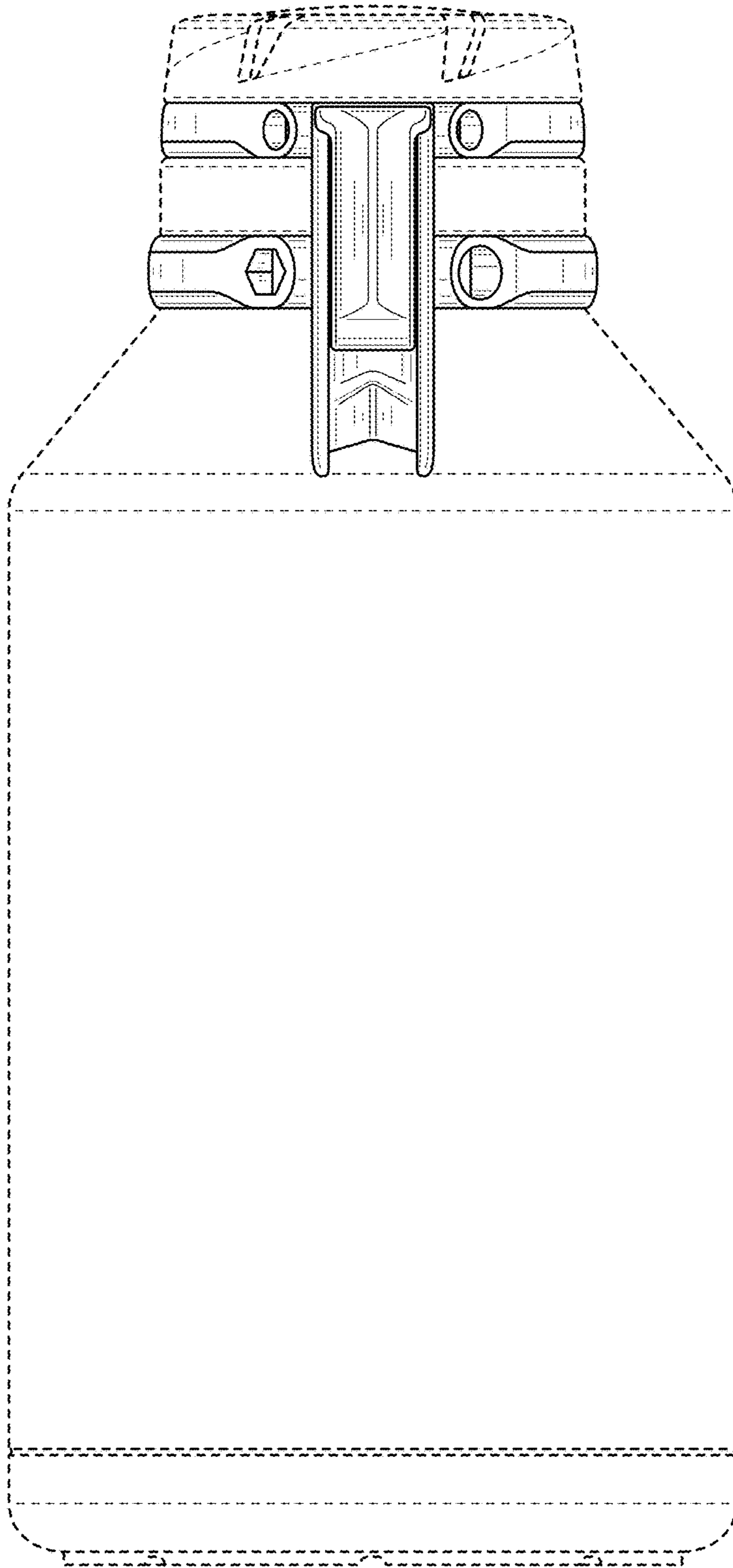


FIG. 2

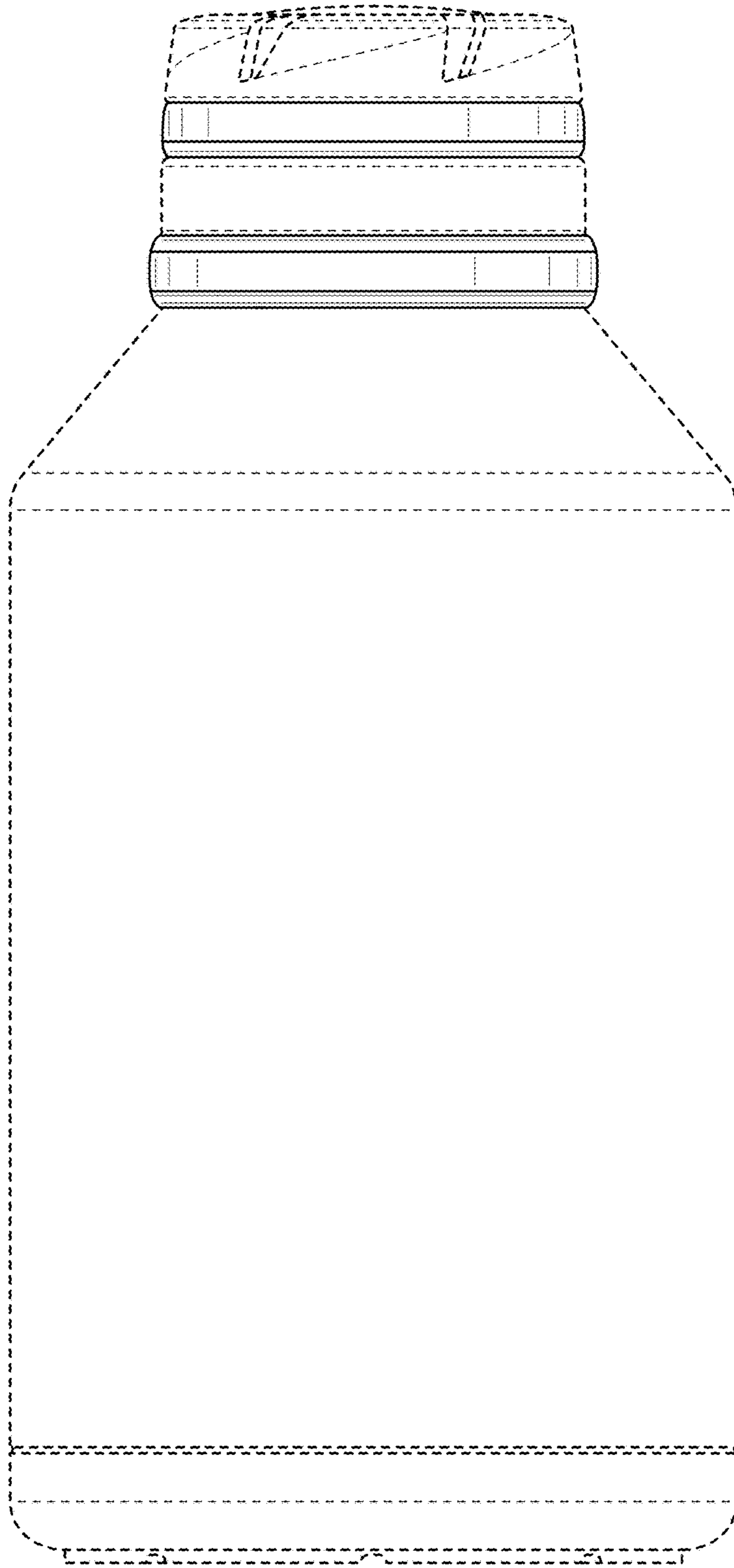


FIG. 3

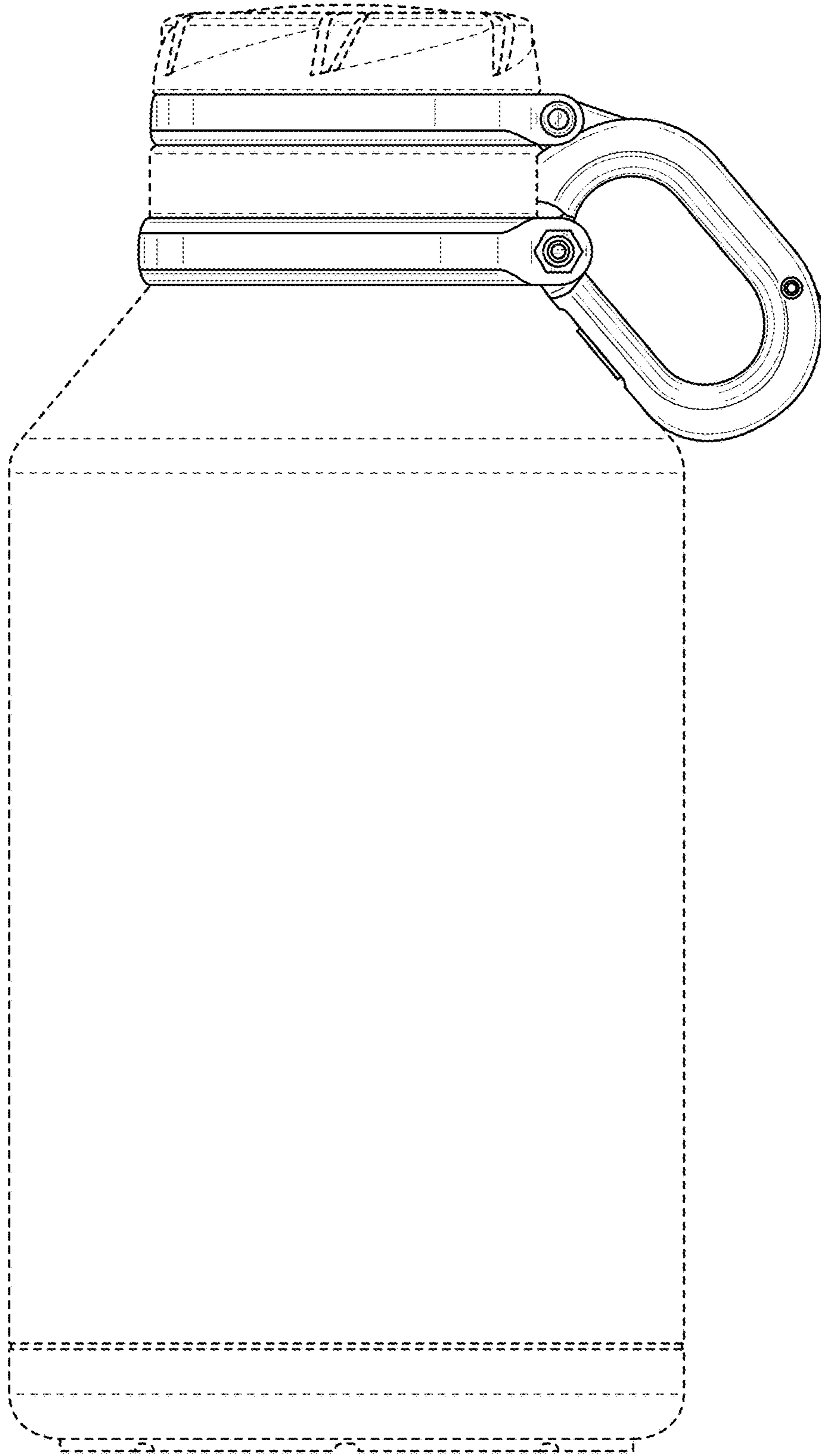


FIG. 4

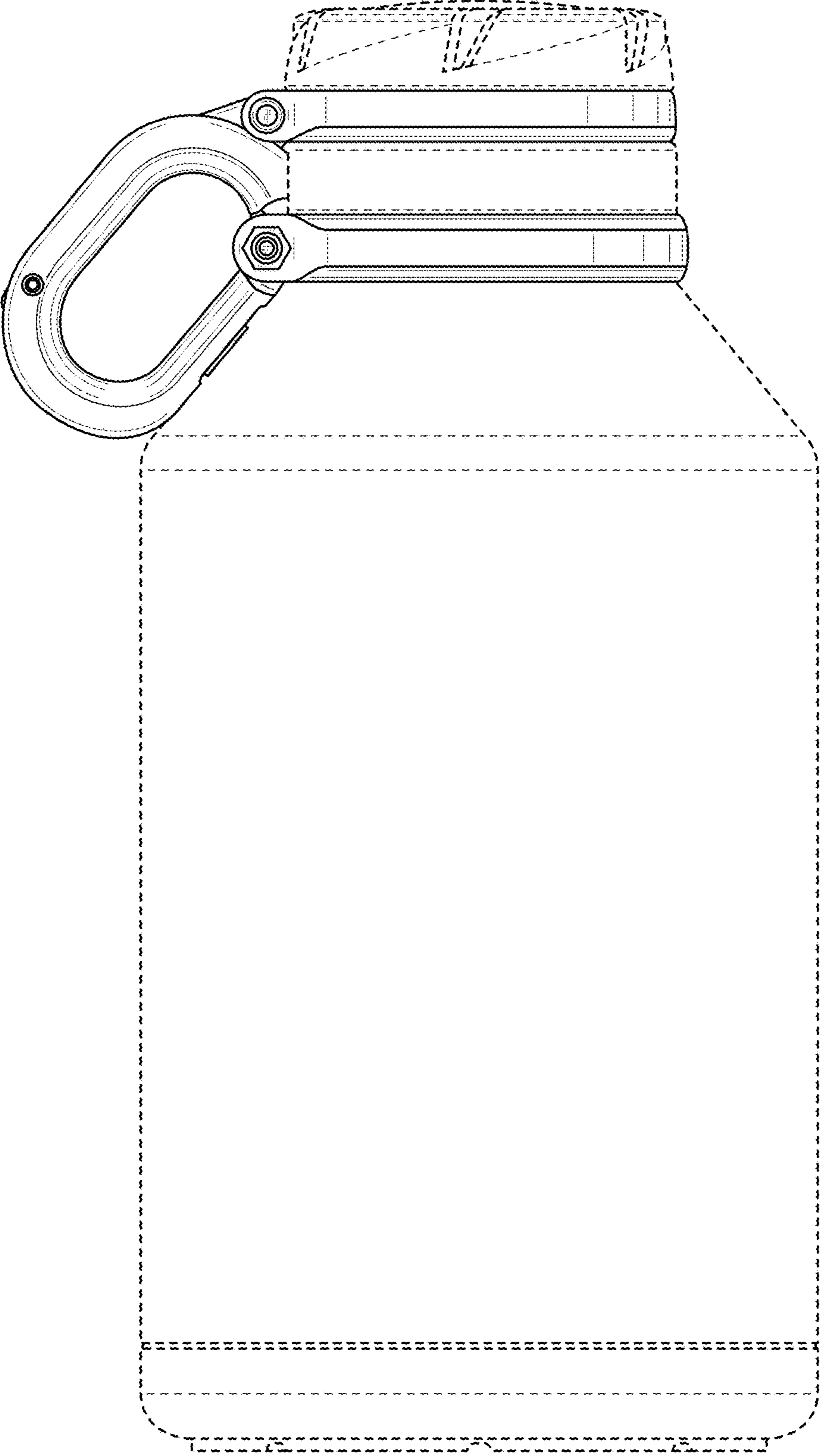


FIG. 5

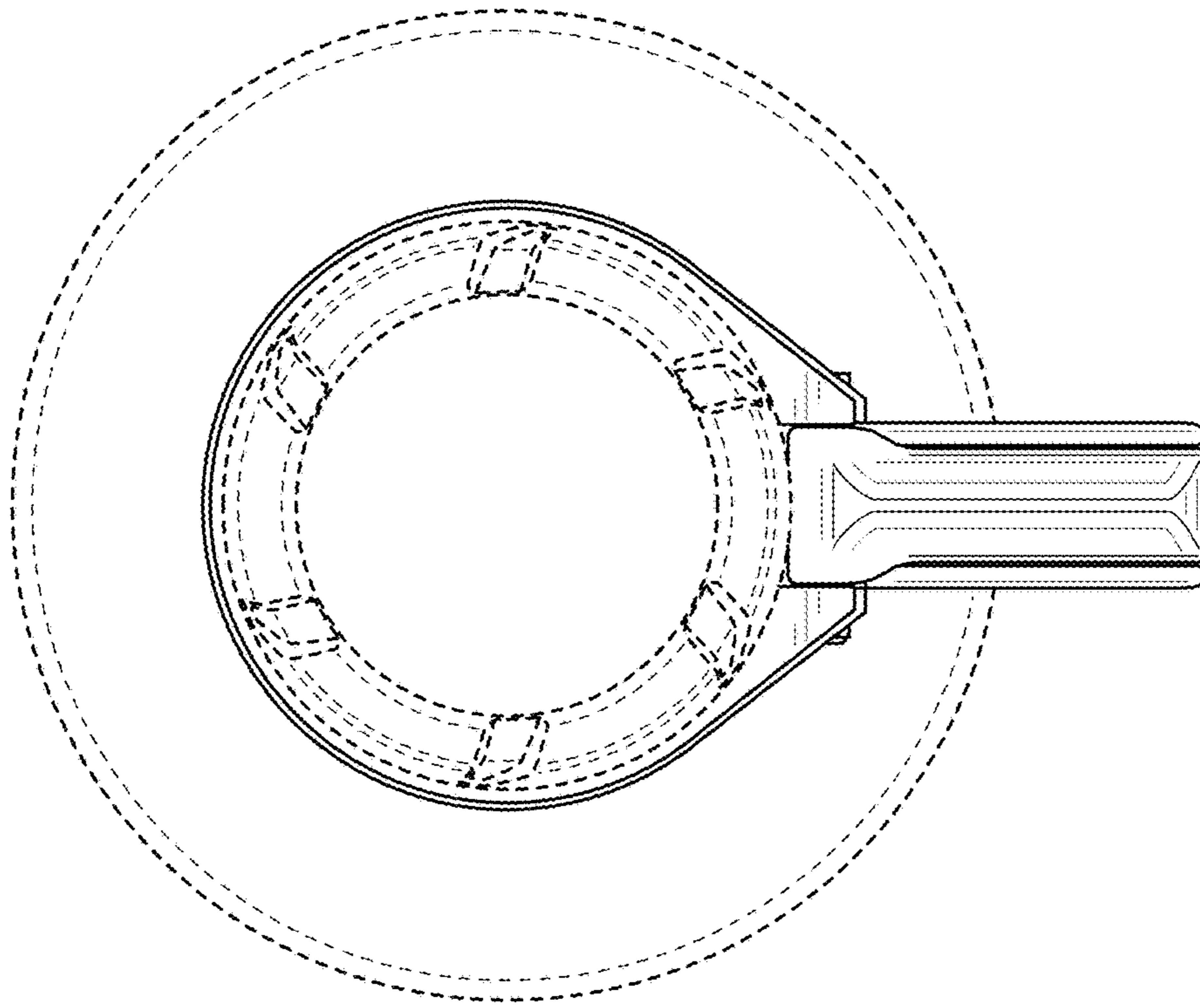


FIG. 6

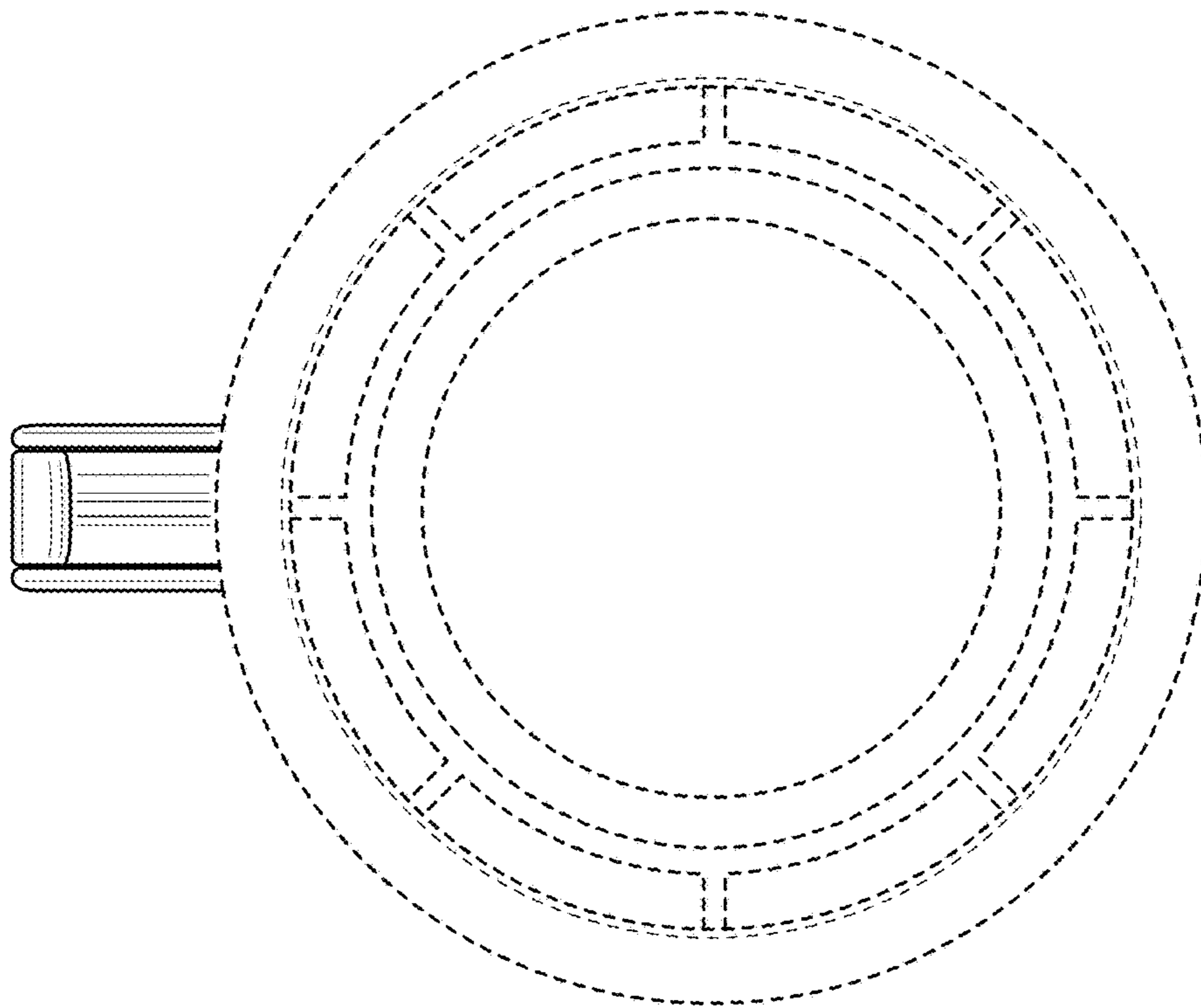


FIG. 7