



US00D856748S

(12) **United States Design Patent** (10) **Patent No.:** **US D856,748 S**
Rane et al. (45) **Date of Patent:** **** Aug. 20, 2019**

(54) **LID**
(71) Applicant: **YETI Coolers, LLC**, Austin, TX (US)
(72) Inventors: **Mark Carlson Rane**, Austin, TX (US);
Edward Abante, Austin, TX (US);
Andrew Winterhalter, Austin, TX
(US); **Desiree Hunter**, Austin, TX
(US); **Robert Throop**, Austin, TX (US)

(73) Assignee: **YETI Coolers, LLC**, Austin, TX (US)

(**) Term: **15 Years**

(21) Appl. No.: **29/614,329**

(22) Filed: **Aug. 17, 2017**

(51) **LOC (12) Cl.** **07-99**

(52) **U.S. Cl.**
USPC **D7/392.1**; D7/396.1; D9/443

(58) **Field of Classification Search**
USPC D9/434, 499, 435, 440, 443, 446, 447,
D9/454; D7/392.1, 393, 396.2
CPC B65D 55/02; B65D 53/00; B65D 41/02
See application file for complete search history.

(56) **References Cited**

U.S. PATENT DOCUMENTS

769,615 A	9/1904	Kosansvich
1,324,653 A	12/1919	Ferdon
1,362,933 A	12/1920	Ferdon
1,472,667 A	10/1923	Nelson
1,573,620 A	2/1926	Allston
1,871,138 A	8/1932	Ward, Jr.
2,010,812 A	8/1935	Devine
2,184,336 A	12/1939	Devine
2,488,611 A	11/1949	Stallings
2,575,770 A	11/1951	Roop
2,663,450 A	12/1953	Bourcart
2,872,095 A	2/1959	Adams
2,960,250 A	11/1960	Haloski

3,067,896 A	12/1962	Berg et al.
3,093,238 A	6/1963	King, III
3,117,692 A	1/1964	Carpenter et al.
3,223,279 A	12/1965	Wheaton
3,243,038 A	3/1966	Caramanian

(Continued)

FOREIGN PATENT DOCUMENTS

AU	2010100178 A4	3/2010
CN	201116176 Y	9/2008

(Continued)

OTHER PUBLICATIONS

Yeti. Drinkware. 2019. <URL:https://www.yeti.com/en_US/drinkware>. (Year: 2019).*

(Continued)

Primary Examiner — George D. Kirschbaum
Assistant Examiner — Darcey E Gottschalk
(74) *Attorney, Agent, or Firm* — Banner & Witcoff, Ltd.

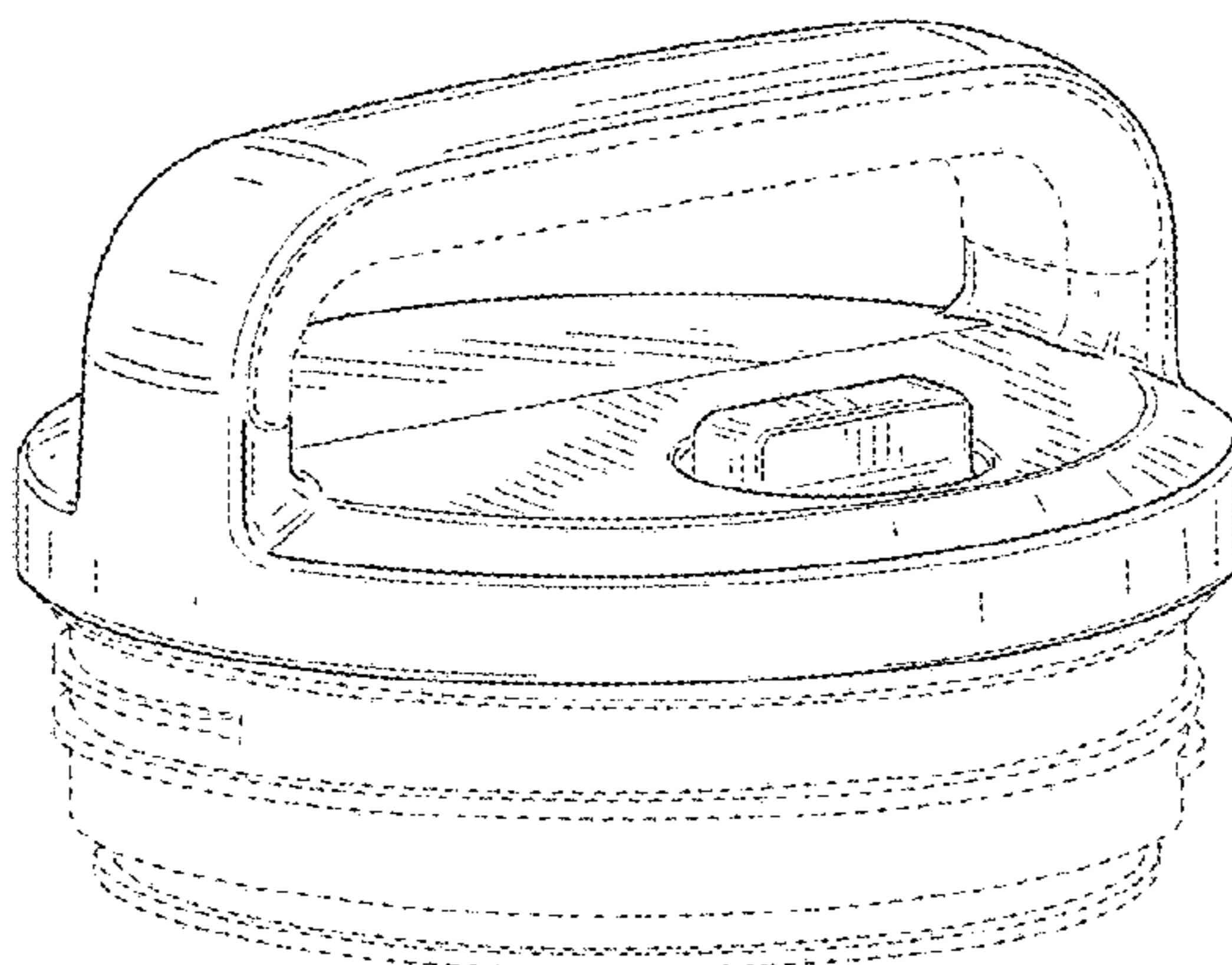
(57) **CLAIM**

The ornamental design for a lid, as shown and described.

DESCRIPTION

FIG. 1 is a top, front, left perspective view of a lid showing our new design;
FIG. 2 is a bottom, left perspective view thereof;
FIG. 3 is a front view thereof;
FIG. 4 is a rear view thereof;
FIG. 5 is a left side view thereof;
FIG. 6 is a right side view thereof;
FIG. 7 is a top view thereof; and,
FIG. 8 is a bottom view thereof.
The broken lines immediately adjacent to the shaded area represent unclaimed boundaries of the design. The broken lines showing the remainder of the lid represent unclaimed subject matter and form no part of the claimed design.

1 Claim, 7 Drawing Sheets



(56)

References Cited

U.S. PATENT DOCUMENTS

3,266,623	A	8/1966	Poferl		D652,255	S	1/2012	Carland	
3,385,465	A	5/1968	Bliss		D660,084	S	5/2012	Gilbert	
4,242,834	A	1/1981	Olsen		D660,657	S	5/2012	Picozza et al.	
4,368,819	A	1/1983	Durham		8,328,014	B2	12/2012	Saunders et al.	
D278,413	S *	4/1985	Woodcock D9/446	D675,100	S	1/2013	Herbst	
D279,346	S	6/1985	Ruxton		8,342,349	B2	1/2013	Lu	
4,638,645	A	1/1987	Simila		8,360,048	B2	1/2013	Ford et al.	
4,756,424	A	7/1988	Schwartz		D679,959	S	4/2013	Lane	
4,930,636	A	6/1990	Meadows		D680,431	S *	4/2013	Hopkins D9/443
5,086,926	A	2/1992	Paige et al.		D682,625	S	5/2013	Lane	
5,154,303	A	10/1992	Jordan		D682,626	S	5/2013	Lane	
D341,320	S *	11/1993	Morin D9/443	8,448,801	B2	5/2013	Rusnak et al.	
5,335,809	A	8/1994	Toida et al.		D685,231	S	7/2013	Lane	
5,386,922	A	2/1995	Jordan		D685,232	S	7/2013	Lane	
D363,642	S	10/1995	Goto et al.		8,561,825	B1	10/2013	Kino et al.	
5,540,329	A	7/1996	Vogeley		8,584,891	B2	11/2013	Hutchinson et al.	
5,549,039	A	8/1996	Ito et al.		D696,079	S	12/2013	Meyers et al.	
5,669,498	A	9/1997	Fierek et al.		8,631,957	B2	1/2014	Dart et al.	
5,671,856	A	9/1997	Lisch		D702,506	S	4/2014	Mettler et al.	
5,884,796	A	3/1999	Hallmark		8,701,887	B2	4/2014	Baker et al.	
5,890,614	A	4/1999	Dancyger		8,783,482	B2	7/2014	Bou Mezrag et al.	
5,950,913	A	9/1999	Rea et al.		D710,155	S	8/2014	Tatsukawa	
6,029,457	A	2/2000	Neeser et al.		D710,696	S *	8/2014	Kwon D7/392.1
6,036,801	A	3/2000	Yamada et al.		8,800,796	B2	8/2014	Wagner	
6,119,889	A	9/2000	Fujii et al.		D713,365	S	9/2014	Green	
6,151,910	A	11/2000	Hazen		8,857,209	B2	10/2014	Wang	
6,168,040	B1	1/2001	Sautner et al.		D717,114	S	11/2014	Katterheinrich et al.	
6,209,725	B1	4/2001	Chen		8,919,591	B2	12/2014	Cai et al.	
6,418,731	B1	7/2002	Anthony		D722,476	S	2/2015	Kilduff et al.	
6,419,108	B1	7/2002	Toida et al.		9,016,508	B1	4/2015	Leighton et al.	
6,530,496	B2	3/2003	Moran		9,051,095	B2	6/2015	Antal, Sr.	
D476,858	S	7/2003	Slater et al.		9,102,439	B2	8/2015	Kemper et al.	
D477,752	S	7/2003	Slater et al.		9,120,598	B2	9/2015	Meyers et al.	
6,659,302	B2	12/2003	Lin		9,216,843	B2	12/2015	Sorensen et al.	
6,726,047	B2	4/2004	Lin		9,254,063	B2	2/2016	Libourel et al.	
D493,677	S	8/2004	Meyer		9,278,781	B1	3/2016	Boldis	
6,779,679	B1	8/2004	Dias, Jr. et al.		9,322,588	B2	4/2016	Carroll et al.	
D497,778	S	11/2004	Rich		D755,561	S	5/2016	Eyal	
6,832,705	B2	12/2004	Hollander et al.		D758,859	S	6/2016	Sorensen et al.	
D516,910	S *	3/2006	Bresler D9/447	D760,586	S *	7/2016	Seiders D7/392.1
7,073,678	B1	7/2006	Dibdin et al.		D766,668	S	9/2016	Garcia	
D552,413	S *	10/2007	Laib D7/392.1	9,452,876	B2	9/2016	Anelevitz et al.	
D557,994	S	12/2007	Wahl		D769,079	S	10/2016	Kotani	
D562,624	S *	2/2008	Kortleven D7/392.1	D770,239	S	11/2016	Lonner et al.	
7,350,657	B2	4/2008	Eaton et al.		D770,240	S	11/2016	Stover	
7,401,708	B2	7/2008	Lin		9,492,024	B2	11/2016	Sorensen et al.	
D583,200	S	12/2008	Moran		D774,362	S	12/2016	Wahl	
D584,103	S *	1/2009	Valderrama D7/392.1	D774,837	S	12/2016	Seiders et al.	
7,487,883	B2	2/2009	Waters		9,516,974	B2	12/2016	Herling et al.	
D587,534	S	3/2009	Carreno		D775,496	S	1/2017	Szucs et al.	
D593,811	S	6/2009	Carreno		D780,577	S *	3/2017	Seiders D7/392.1
7,559,274	B2	7/2009	Wilhite		D781,145	S *	3/2017	Seiders D7/392.1
D608,195	S *	1/2010	Germann D9/443	D781,146	S *	3/2017	Seiders D7/392.1
D609,521	S	2/2010	Holsinger		D782,253	S	3/2017	Boroski et al.	
D612,235	S	3/2010	Cresswell et al.		D782,881	S	4/2017	Seiders et al.	
D612,240	S	3/2010	Cresswell et al.		D783,367	S	4/2017	Seiders et al.	
7,686,168	B1	3/2010	Smiley et al.		D783,368	S	4/2017	Seiders et al.	
7,726,483	B2	6/2010	Ramanujam et al.		D784,093	S	4/2017	Boroski et al.	
D620,357	S	7/2010	Jewett et al.		D784,775	S	4/2017	Seiders et al.	
D620,798	S	8/2010	Cresswell et al.		D787,317	S	5/2017	Dunn et al.	
D622,089	S	8/2010	Daniel et al.		D788,544	S *	6/2017	Seiders D7/608
D622,554	S	8/2010	Carreno		D790,285	S *	6/2017	Seiders D7/608
D623,480	S	9/2010	Moran		D804,304	S *	12/2017	Pearson D9/443
D623,481	S	9/2010	Moran		D805,852	S *	12/2017	Seiders D7/608
D623,896	S	9/2010	Wahl et al.		D808,713	S *	1/2018	Rane D7/396.2
D624,413	S *	9/2010	Selina D9/447	D811,162	S *	2/2018	Rane D7/396.2
D626,416	S	11/2010	Cresswell et al.		D814,928	S *	4/2018	Seiders D9/443
D628,486	S	12/2010	Lane		D816,493	S *	5/2018	Seiders D9/443
D628,857	S	12/2010	Tatsukawa		D819,396	S *	6/2018	Seiders D7/392.1
D629,657	S	12/2010	Carreno		D820,650	S *	6/2018	Seiders D7/608
D630,475	S	1/2011	Lu		D821,135	S *	6/2018	Rane D7/391
D635,393	S	4/2011	Nakatani		D831,436	S *	10/2018	Seiders D7/608
D641,591	S	7/2011	Tsukida		D832,704	S *	11/2018	Seiders D9/447
7,988,005	B2	8/2011	Wagner		2002/0031462	A1	3/2002	Jorgensen	
D651,050	S	12/2011	Goshi		2004/0124114	A1	7/2004	Sellers	
					2005/0145633	A1	7/2005	Goto et al.	
					2006/0186125	A1	8/2006	Tew	
					2008/0006642	A1	1/2008	Hidary	
					2008/0006643	A1	1/2008	Ma	

(56)

References Cited

U.S. PATENT DOCUMENTS

2008/0314909	A1	12/2008	Takeo et al.
2009/0057312	A1	3/2009	Beyers, III
2009/0071968	A1	3/2009	O'Brien
2009/0212059	A1	8/2009	Chen
2009/0255942	A1	10/2009	Omdoll et al.
2009/0266737	A1	10/2009	Cole
2010/0078435	A1	4/2010	Wang
2010/0089857	A1	4/2010	Dinerstein et al.
2010/0108694	A1	5/2010	Sedlbauer et al.
2011/0163102	A1	7/2011	Haynie
2011/0186585	A1	8/2011	Lu
2012/0018317	A1	1/2012	Rein
2012/0037646	A1	2/2012	Dunwoody et al.
2012/0043334	A1	2/2012	Nowzari
2013/0008909	A1	1/2013	Terracciano
2013/0175250	A1	7/2013	Saatkamp et al.
2013/0248537	A1	9/2013	Lane
2014/0061210	A1	3/2014	O'Hanley et al.
2014/0091097	A1	4/2014	Lane
2014/0202597	A1	7/2014	Waniuk
2015/0053679	A1	2/2015	Liu
2015/0136797	A1	5/2015	Li
2015/0197390	A1	7/2015	Kurabe et al.
2015/0282652	A1	10/2015	Honarvar et al.
2015/0284138	A1	10/2015	Lane et al.
2015/0366236	A1	12/2015	Inoue
2016/0150902	A1	6/2016	Dokhanian et al.
2016/0214783	A1	7/2016	Xie
2016/0318693	A1	11/2016	Hein et al.
2017/0073147	A1	3/2017	Kuhn

FOREIGN PATENT DOCUMENTS

CN	102028402	A	4/2011
CN	201855104	U	6/2011
CN	102599799	A	7/2012
CN	103395565	A	11/2013
CN	205498376	U	8/2016
DE	9203581	U1	5/1992
DE	20219646	U1	3/2003
EP	531940	A1	1/1995
EP	1044889	A1	10/2000
EP	1057748	A1	12/2000
ES	2383862	A1	6/2012
GB	2523797	A	9/2015
JP	19970157380		12/1998
JP	19980153576		11/1999
JP	2003024124	A	1/2003
JP	2003144221	A	5/2003
JP	2004337207	A	12/2004
JP	2006042944	A	2/2006
JP	2007313232	A	12/2007
JP	2011254850	A	12/2011
JP	2012070927	A	4/2012
JP	3175589	U	5/2012
JP	2015217158	A	12/2015
JP	20160003528	U	7/2017
KR	200470218	Y1	12/2013
KR	200483708	Y1	6/2017
WO	0128886	A1	4/2001
WO	2005095226	A1	10/2005
WO	2010100773	A1	9/2010
WO	2014086092	A1	6/2014

OTHER PUBLICATIONS

Yeti. Accessories. 2019. <URL:https://www.yeti.com/en_US/accessories/for-rambler>. (Year: 2019).*

Vaya Tyffyn 1000 ml Insulated Lunch Box w.Bag Mat—Stainless Steel Leak-Resistant Food Storage Container—100% BPA Free, Eco-Friendly & Reusable Lunch Box 23.5 oz (4.2 cups) total capacity [online], [retrieved Nov. 3, 2017], Retrieved from the Internet, URL: <https://www.amazon.com/dp/B06WGPKG1?psc=

1>; 8 color pages, published date unknown, but for purposes of patent prosecution presumably more than a year prior to the filing date of the present application.

Zojirushi SL-JAE14SA Mr. Bento Stainless Steel Lunch Jar, Silver [online], [retrieved Nov. 3, 2017], Retrieved from the Internet, URL: <https://www.amazon.com/dp/B000246GSE/ref=psdc_2457292011_t1_B06WGPKG1>; 9 color pages, published date unknown but for the purposes of patent prosecution presumably more than a year prior to the filing date of the present application. Kuuk Vacuum Food thermos Lunch Box Container Jar—58oz / 1.8 quart—Stainless Steel [online], [retrieved Nov. 3, 2017], Retrieved from the Internet, URL: <https://www.amazon.com/dp/B01FSTCDC0?psc=1>; 7 color pages, published date unknown but for the purposes of patent prosecution presumably more than a year prior to the filing date of the present application.

Insulated Stainless Steel Food Canisters (2 sizes) [online], [retrieved Nov. 3, 2017], Retrieved from the Internet, URL: <https://mightynest.com/shop/lunch-gear/food-containers/insulated-food-containers/insulated-stainless-steel-food-canisters-2>; 3 color pages, published date unknown but for the purposes of patent prosecution presumably more than a year prior to the filing date of the present application.

Haers 1500MI Lunch Box Thermos For Food With Containers Stainless Steel Insulated Food Thermos Lunch Box Hr-1500A-1 [online], [retrieved Nov. 3, 2017], Retrieved from the Internet, URL: <https://www.solidrop.net/product/haers-1500ml-lunch-box-thermos-for-food-with-containers-stainless-steel-insulated-food-thermos-lunch-box-hr-1500a-1.html>; 8 color pages, published date unknown but for the purposes of patent prosecution presumably more than a year prior to the filing date of the present application. Vacuum Insulated Lunch Box, Thermal Insulating Stainless Steel Lunch Containers, 2.0L (0.53Gal) [online], [retrieved Nov. 3, 2017], Retrieved from the Internet, URL: <https://www.mylifeunit.com/Vacuum-Insulated-Lunch-Box-Thermal-Insulating-Stainless-Steel-Lunch-Containers-2.0L-0.53Gal>; 12 color pages, published date unknown but for the purposes of patent prosecution presumably more than a year prior to the filing date of the present application. 650ml Stainless Steel Vacuum Insulation Barrels Boxes Portable Lunch Box Soup Bucket [online], [retrieved Nov. 3, 2017], Retrieved from the Internet, URL: <http://www.11street.my/productdetail/650ml-stainless-steel-vacuum-insulation-barrels-12481058>; 3 color pages, published date unknown but for the purposes of patent prosecution presumably more than a year prior to the filing date of the present application.

Insulated Lunch Box with Lunch Bag Stainless Steel Food Carrier/ Food Container/Tiffin Containers Portion Control Containers/ Thermos/Indian Tiffin for Hot Food—Hold Warm for 3 Hours, 1.5L [online], [retrieved Nov. 3, 2017], Retrieved from the Internet, URL: <https://www.amazon.com/Insulated-Stainless-Carrier-Container-Containers/dp/B01N11KHMP>; 11 color pages, published date unknown but for the purposes of patent prosecution presumably more than a year prior to the filing date of the present application. Haers 1.7L 2.2L Hot Food Themes 304 Stainless Steel Insulated Thermal Lunch Box with Spoon Thermos Bento with Food Containers [online], [retrieved Nov. 3, 2017], Retrieved from the Internet, URL: <https://www.aliexpress.com/item/Haers-1-7L-2-2L-Hot-Food-Thermos-Container-304-Stainless-Steel-Insulated-Thermal-Lunch-Box/32558078179.html?spm=2114.40010708.4.34.fqgSYz>; 3 color pages, published date unknown but for the purposes of patent prosecution presumably more than a year prior to the filing date of the present application.

Flagship Thermos Insulated Stainless Steel Lunch Boxes for Adults 600ml/800ml/1000ml [online], [retrieved Nov. 3, 2017], Retrieved from the Internet, URL: <http://www.globalsources.com/si/AS/zhejiang-Haoqi/6008831883155/pdtl/Flagship-Thermos-Insulated-Stainless-Steel-Lunch-Boxes/1091882260.htm>; 3 color pages, published date unknown but for the purposes of patent prosecution presumably more than a year prior to the filing date of the present application.

Camel Flasks Stainless Steel Lunch Box, 1.8 Liters [online], [retrieved Nov. 3, 2017], Retrieved from the Internet, URL: <http://mudraretail.com/product/camel-flasks-stainless-steel-lunch-box-1-8-liters>; 3 color

(56)

References Cited

OTHER PUBLICATIONS

pages, published date unknown but for the purposes of patent prosecution presumably more than a year prior to the filing date of the present application.

Power Plus Stainless Steel Containers Lunch Box, 3-Pieces (H55) [online], [retrieved Nov. 3, 2017], Retrieved from the Internet, URL: <<https://www.amazon.in/Power-Plus-Stainless-Containers-3-Pieces/dp/B00IUDUWQ6>>; 4 color pages, published date unknown but for the purposes of patent prosecution presumably more than a year prior to the filing date of the present application.

Stainless-Steel Vacuum Container, 9 oz. [online], [retrieved Nov. 3, 2017], Retrieved from the Internet, URL: <<https://www.llbean.com/llb/shop/79228?feat=506838-GN3&page=stainless-steel-vacuum-container-9-oz&csp=f>>; 6 color pages, published date unknown but for the purposes of patent prosecution presumably more than a year prior to the filing date of the present application.

Zojirushi 101 vol. 79, Sep. 2015 [online], [retrieved Nov. 3, 2017], Retrieved from the Internet, URL: <http://www.zojirushi.com/mailmagazine/back_issue/101toppage_sep15.html>; 6 color pages, published date unknown but for the purposes of patent prosecution presumably more than a year prior to the filing date of the present application.

Insulated Thermal Bento Lunch Jar Zojirushi Classic [online], [retrieved Nov. 3, 2017], Retrieved from the Internet, URL: <<https://casabento.com/shop/en/bento-boxes-zojirushi/369-insulated-thermal-bento-lunch-jar-zojirushi-classic-4974305197511.html>>; 4 color pages, published date unknown but for the purposes of patent prosecution presumably more than a year prior to the filing date of the present application.

Lunch box—Conservation des aliments [online], [retrieved Nov. 3, 2017], Retrieved from the Internet, URL : https://www.boulangier.com/c/boite-de-rangement#message_code=20 <<https://www.boulangier.com/c/boite-de-rangement>>; 63 color pages, published date unknown but for the purposes of patent prosecution presumably more than a year prior to the filing date of the present application.

Thermos® 12-Ounce Vacuum-Insulated Food Jar with Microwaveable Container [online], [retrieved Nov. 3, 2017], Retrieved from the Internet, URL: <<https://www.bedbathandbeyond.com/store/product/thermos-reg-12-ounce-vacuum-insulated-food-jar-with-microwaveable-container/1041717943>>; 2 color pages, published date unknown but for the purposes of patent prosecution presumably more than a year prior to the filing date of the present application.

* cited by examiner

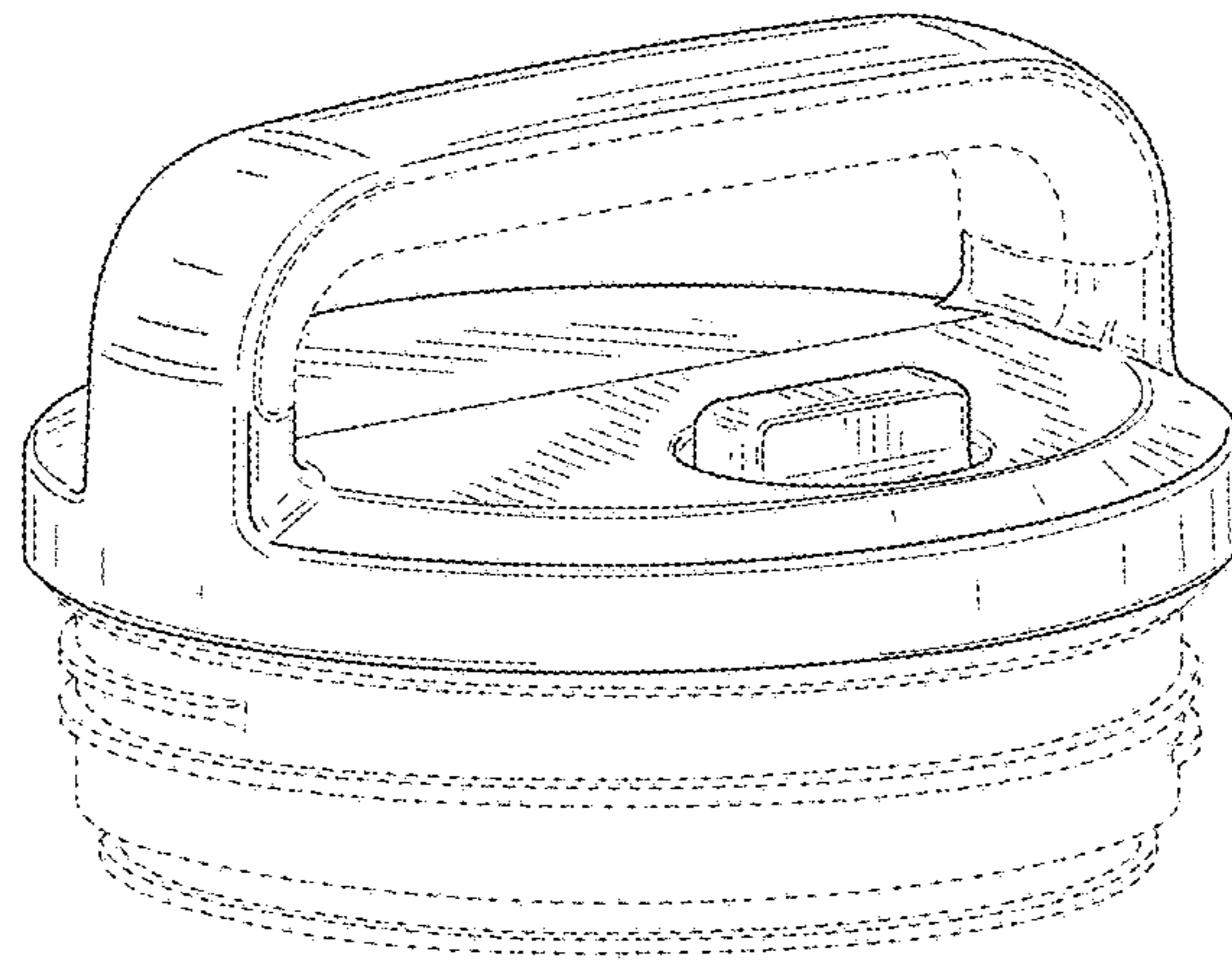


FIG. 1

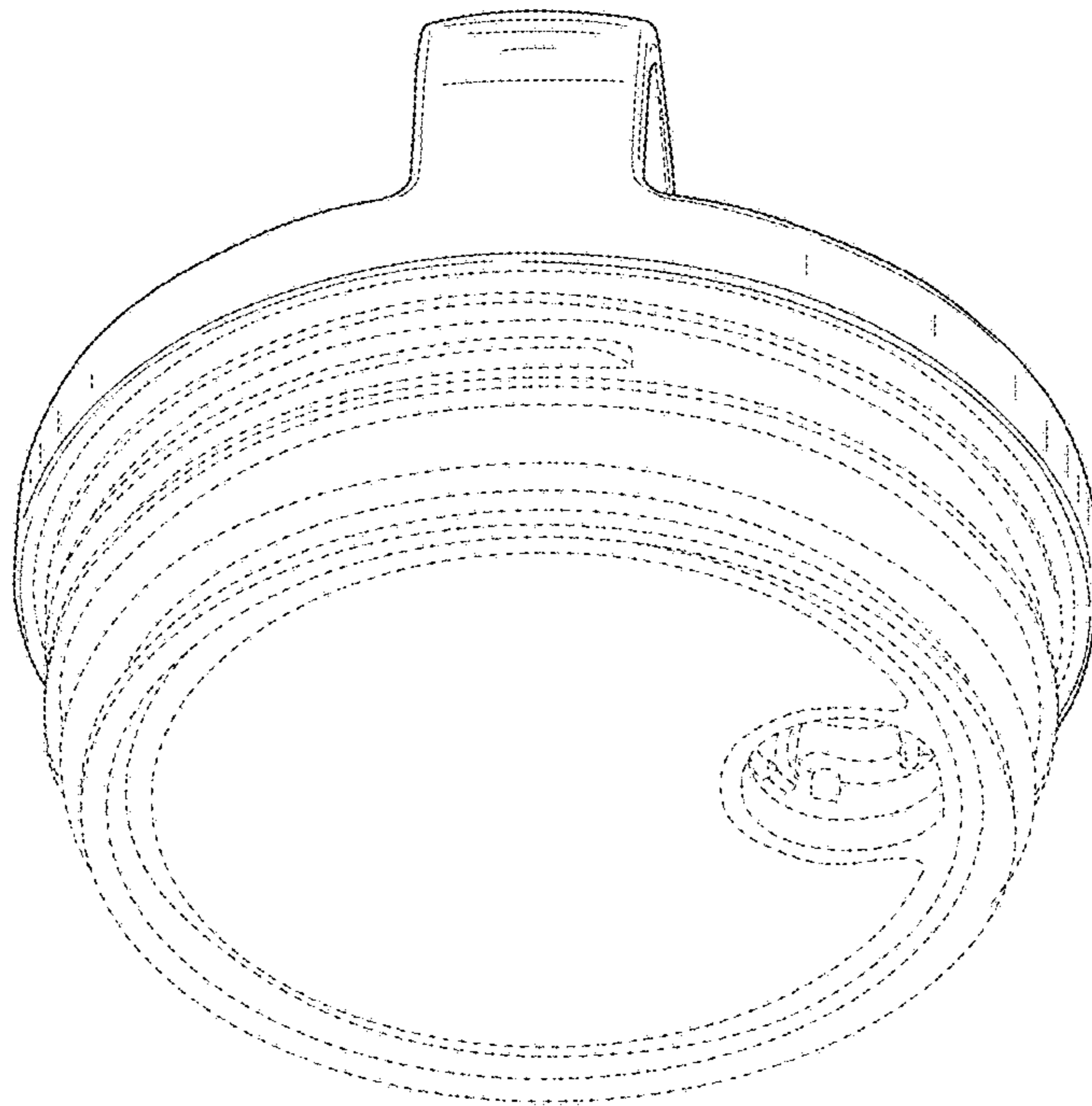


FIG. 2

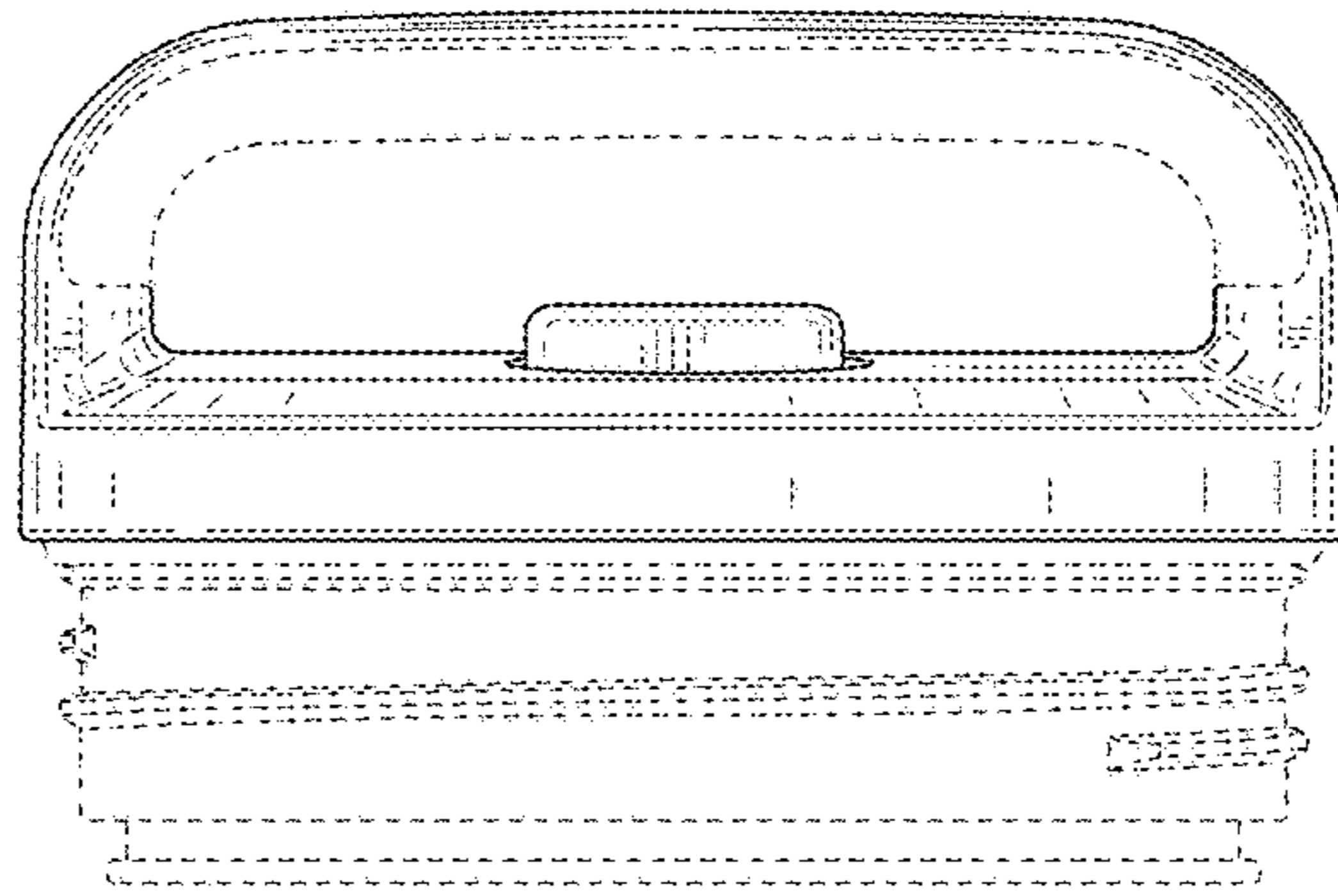


FIG. 3

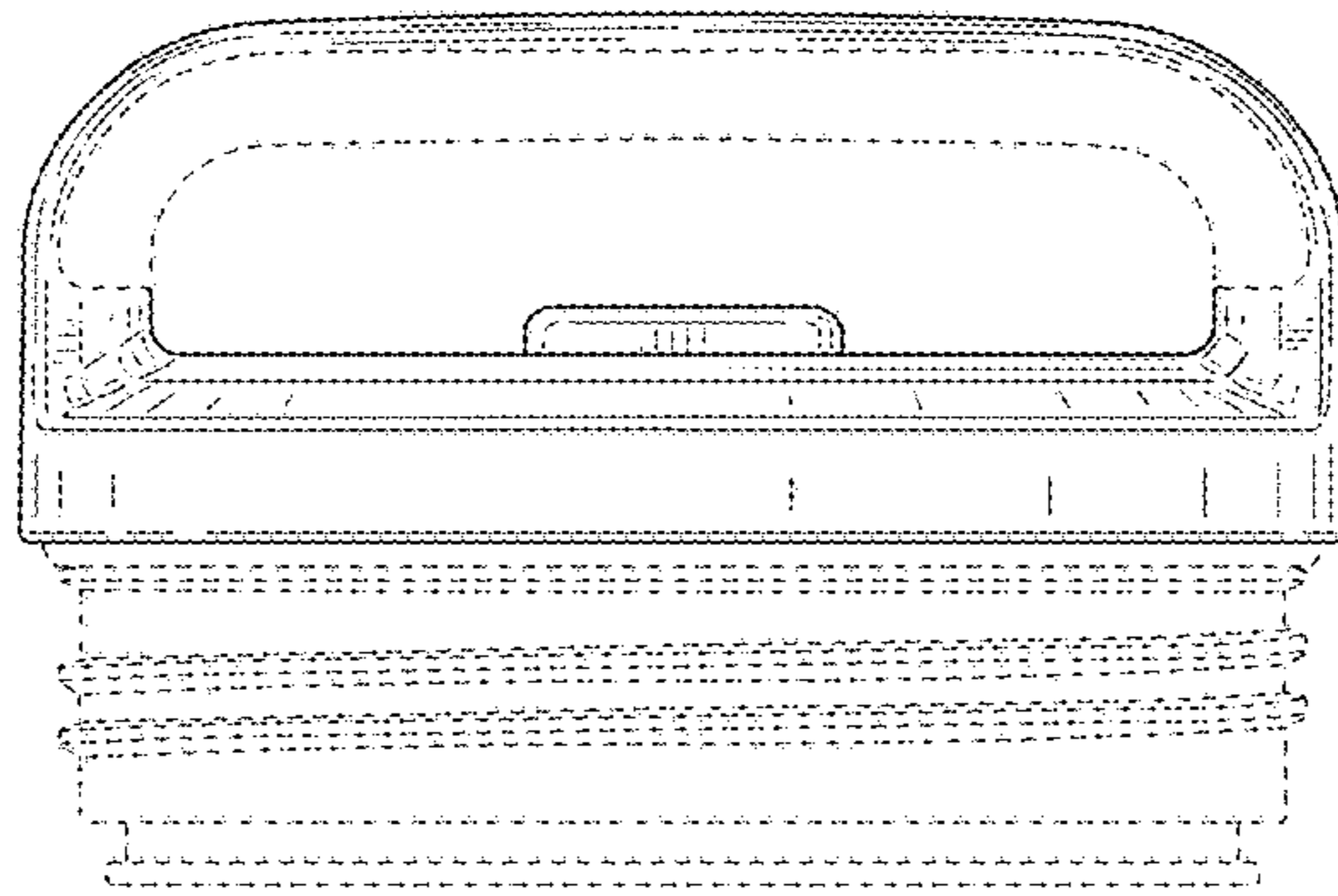


FIG. 4

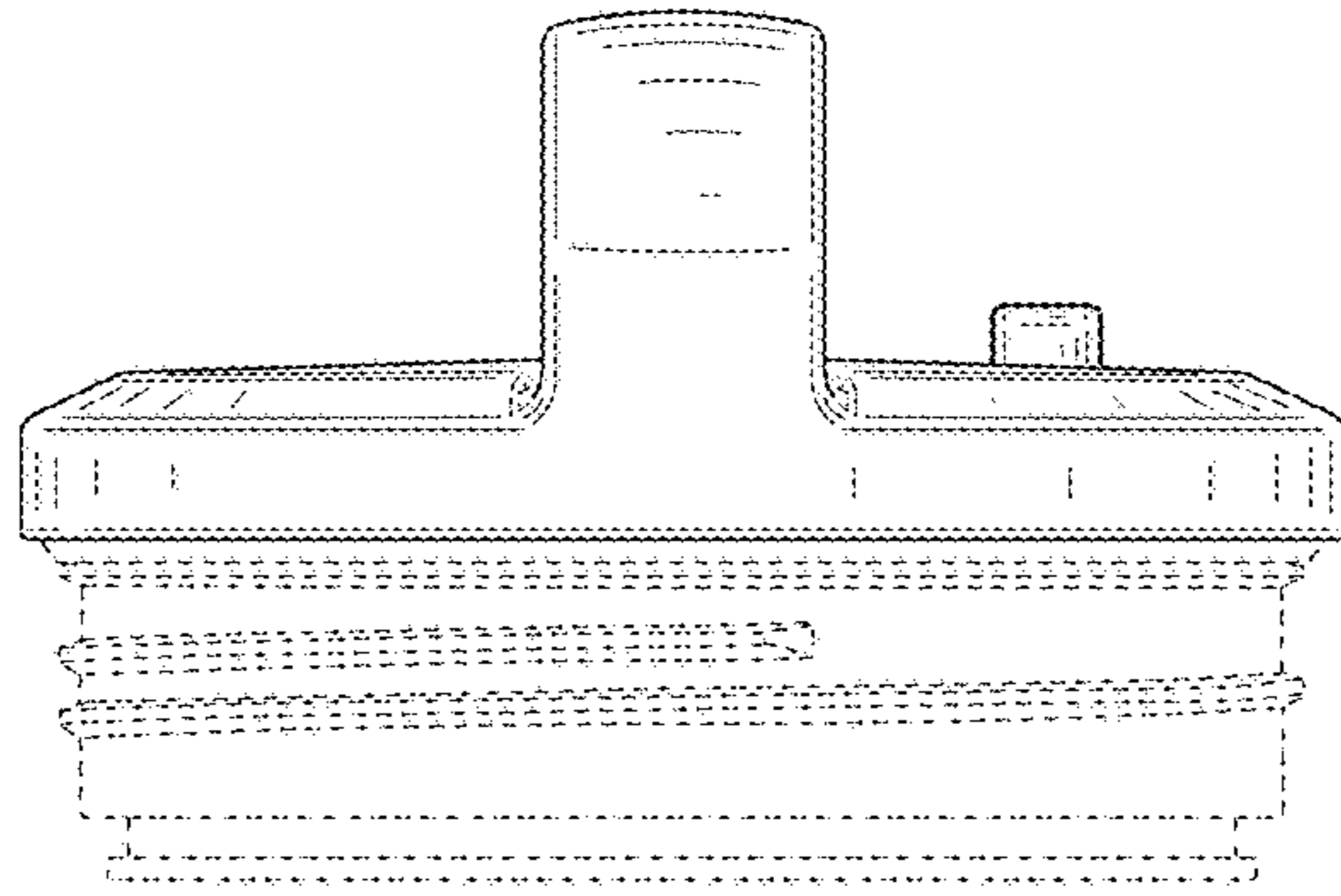


FIG. 5

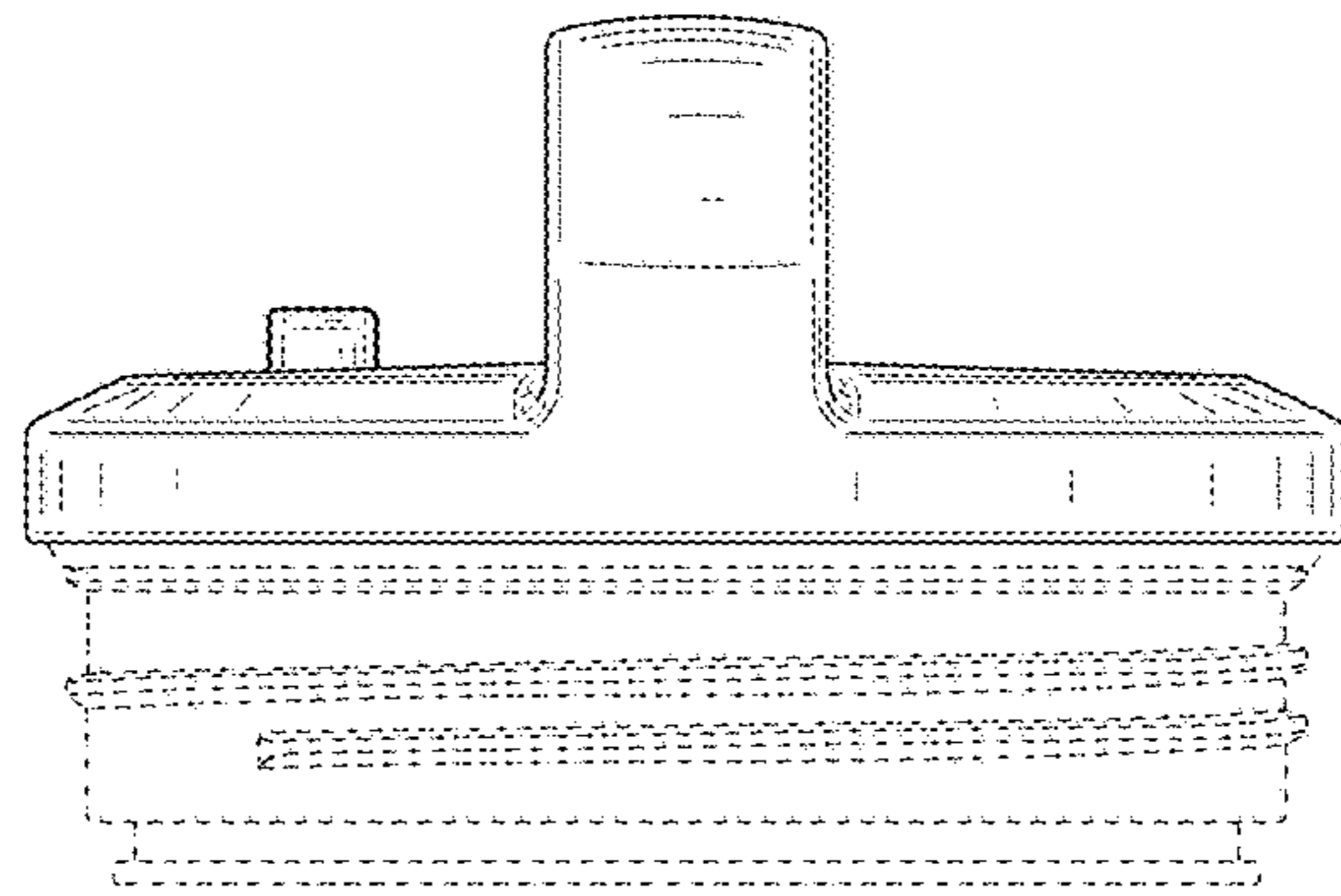


FIG. 6

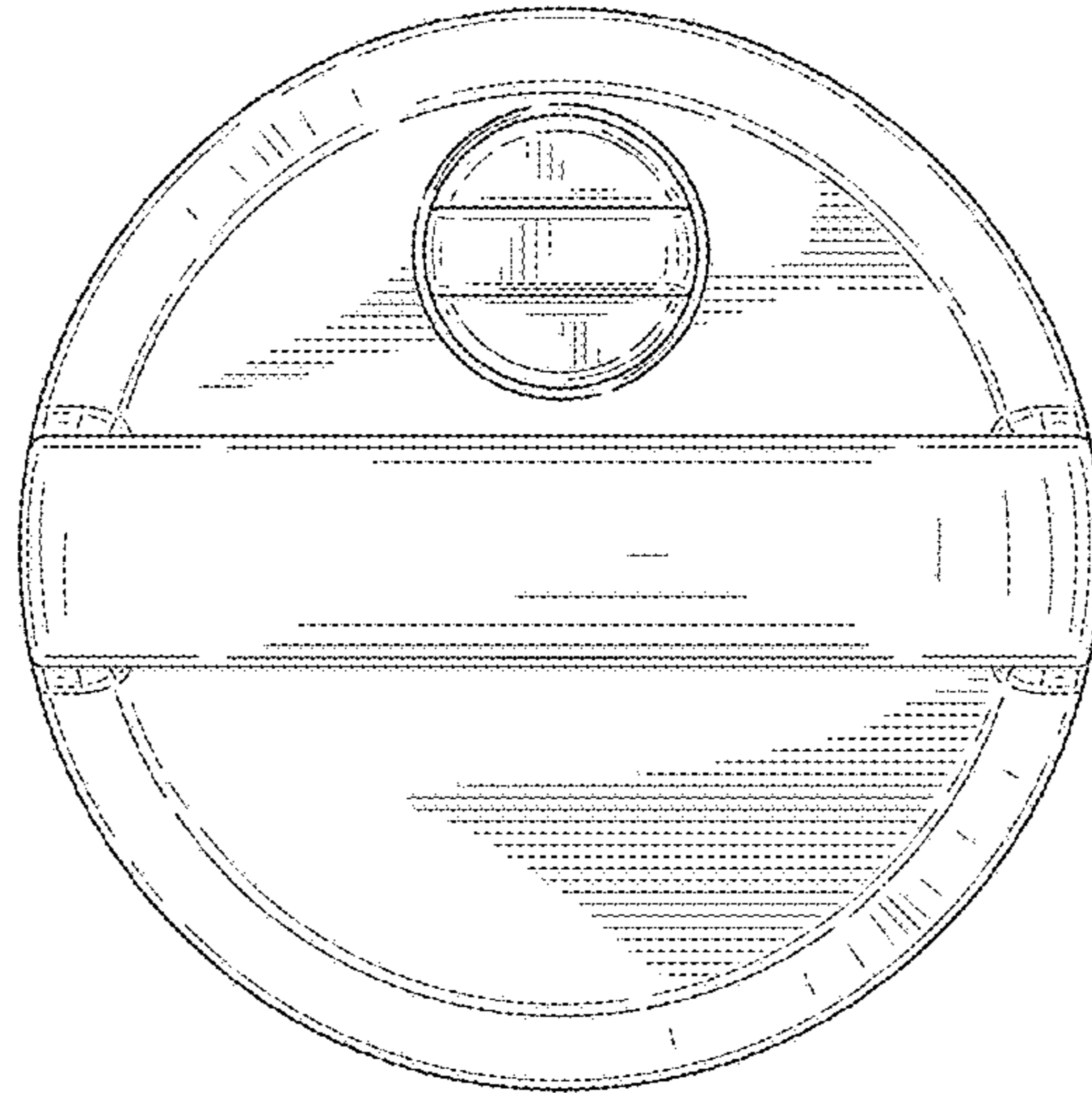


FIG. 7

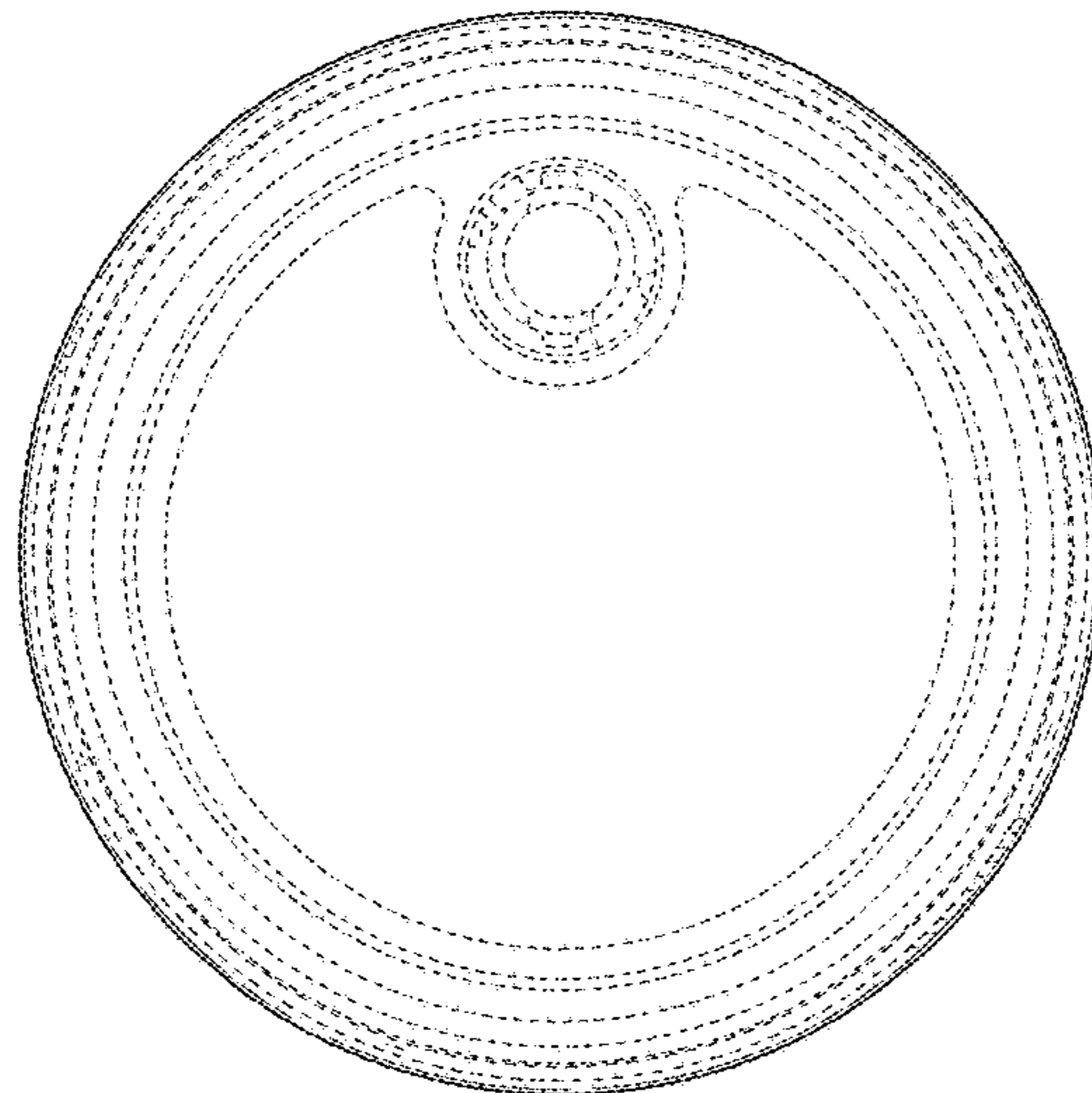


FIG. 8