



US00D856747S

(12) **United States Design Patent**
Weernink

(10) **Patent No.:** **US D856,747 S**

(45) **Date of Patent:** **** Aug. 20, 2019**

(54) **LID FOR CONTAINER**

(71) Applicant: **Rosti Mepal Support B.V.**, Lochem (NL)

(72) Inventor: **Johan Weernink**, Diepenheim (NL)

(73) Assignee: **Rosti Mepai Support B.V.**, Lochem (NL)

(**) Term: **15 Years**

(21) Appl. No.: **29/633,838**

(22) Filed: **Jan. 16, 2018**

(51) **LOC (12) Cl.** **07-02**

(52) **U.S. Cl.**
USPC **D7/391**

(58) **Field of Classification Search**

USPC D7/391, 392, 392.1, 393, 397, 629;
D9/414, 424-432, 435, 438, 451-452
CPC A47J 36/027; A47J 36/06; A47J 37/10;
A47J 37/101; B65D 21/0209; B65D
43/00; B65D 43/02; B65D 43/021; B65D
43/022; B65D 43/161; B65D 43/162;
B65D 45/00; B65D 45/16; B65D 45/18;
B65D 51/16; B65D 51/1683; B65D
51/1688; B65D 51/1694; B65F 1/1615

See application file for complete search history.

(56) **References Cited**

U.S. PATENT DOCUMENTS

3,556,339 A * 1/1971 Lind B65D 43/021
220/787
D279,952 S * 8/1985 Daenen B65D 43/021
D7/614

D284,253 S * 6/1986 Carlson D7/629
D472,773 S * 4/2003 Samartgis D7/629
D618,516 S * 6/2010 DiPietro D7/629
D655,159 S * 3/2012 Killandi D9/435
D826,005 S * 8/2018 Walters Pennington D7/629
D834,377 S * 11/2018 Zoske D7/629

* cited by examiner

Primary Examiner — Ricky Pham

(74) *Attorney, Agent, or Firm* — Fross Zelnick Lehrman & Zissu, P.C.; Charles T. J. Weigell, Esq.

(57) **CLAIM**

The ornamental design for a lid for container, as shown and described.

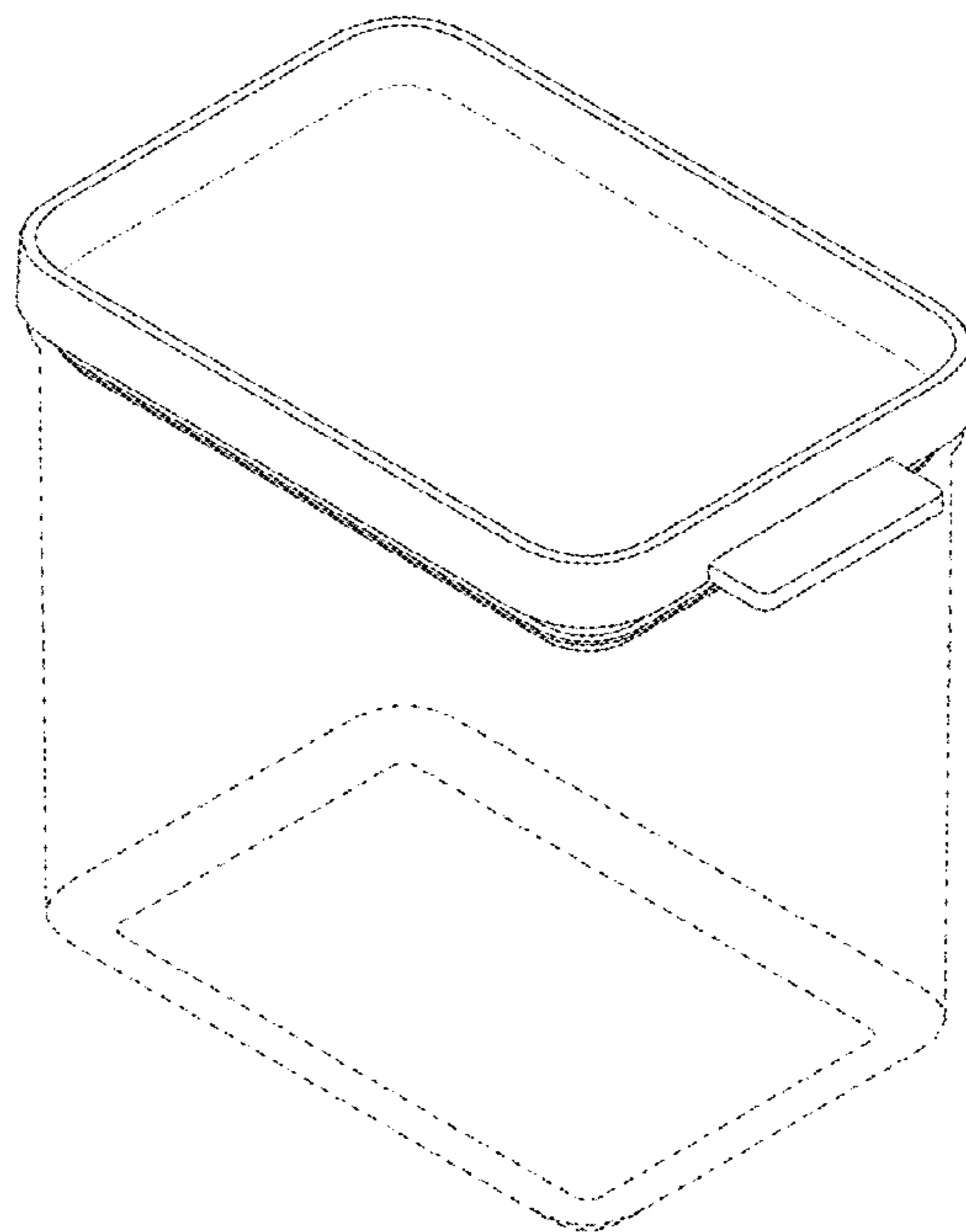
DESCRIPTION

FIG. 1 is a front perspective view of a lid for container showing my new design;
FIG. 2 is a front view thereof;
FIG. 3 is a back view thereof;
FIG. 4 is a right side view thereof;
FIG. 5 is a left side view thereof; and,
FIG. 6 is a top view thereof.

The bottom of the lid for container is plain and unornamented.

The broken lines depicting the container show the lid in the environment of a container and form no part of the claimed design.

1 Claim, 6 Drawing Sheets



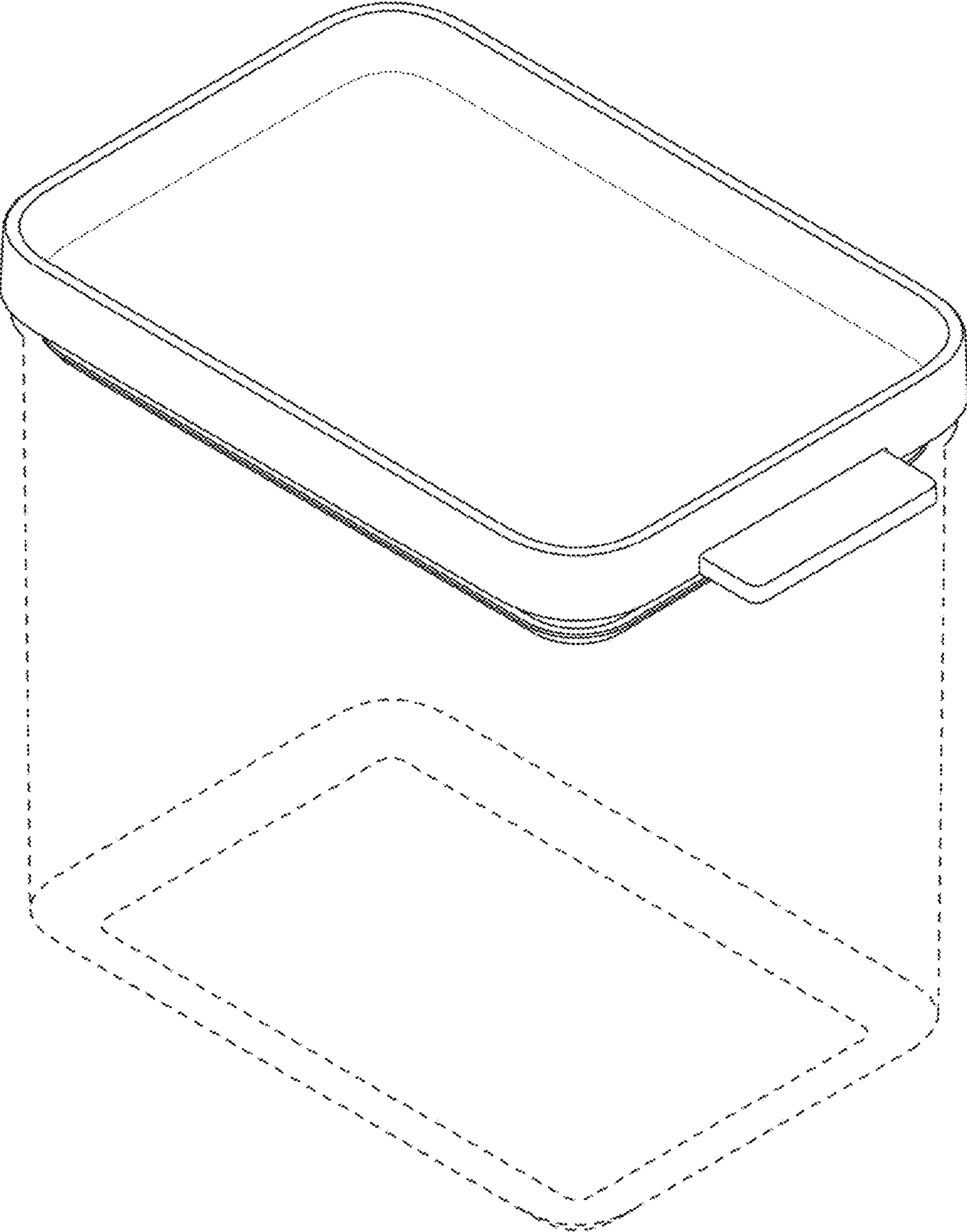


FIG. 1

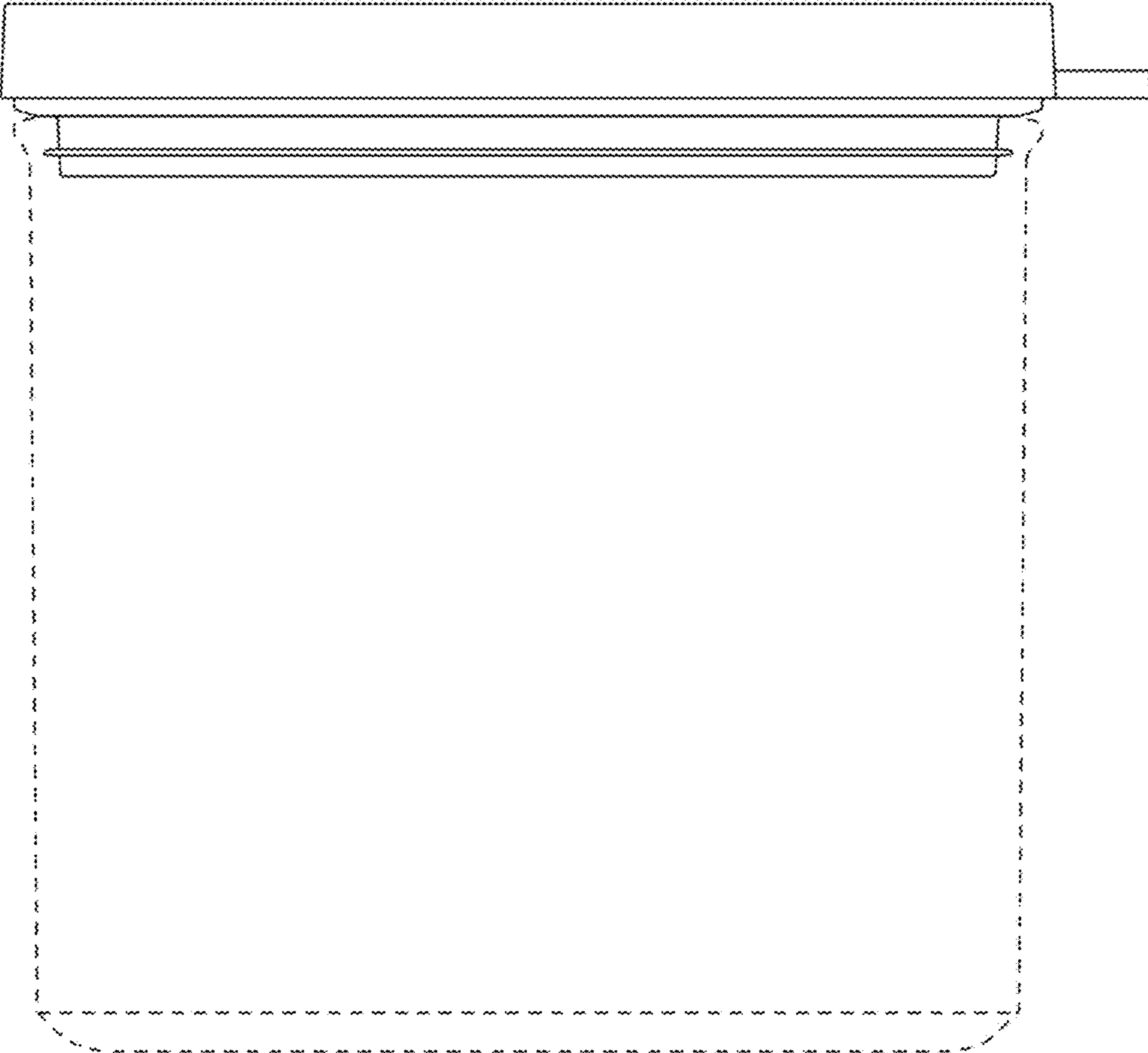


FIG. 2

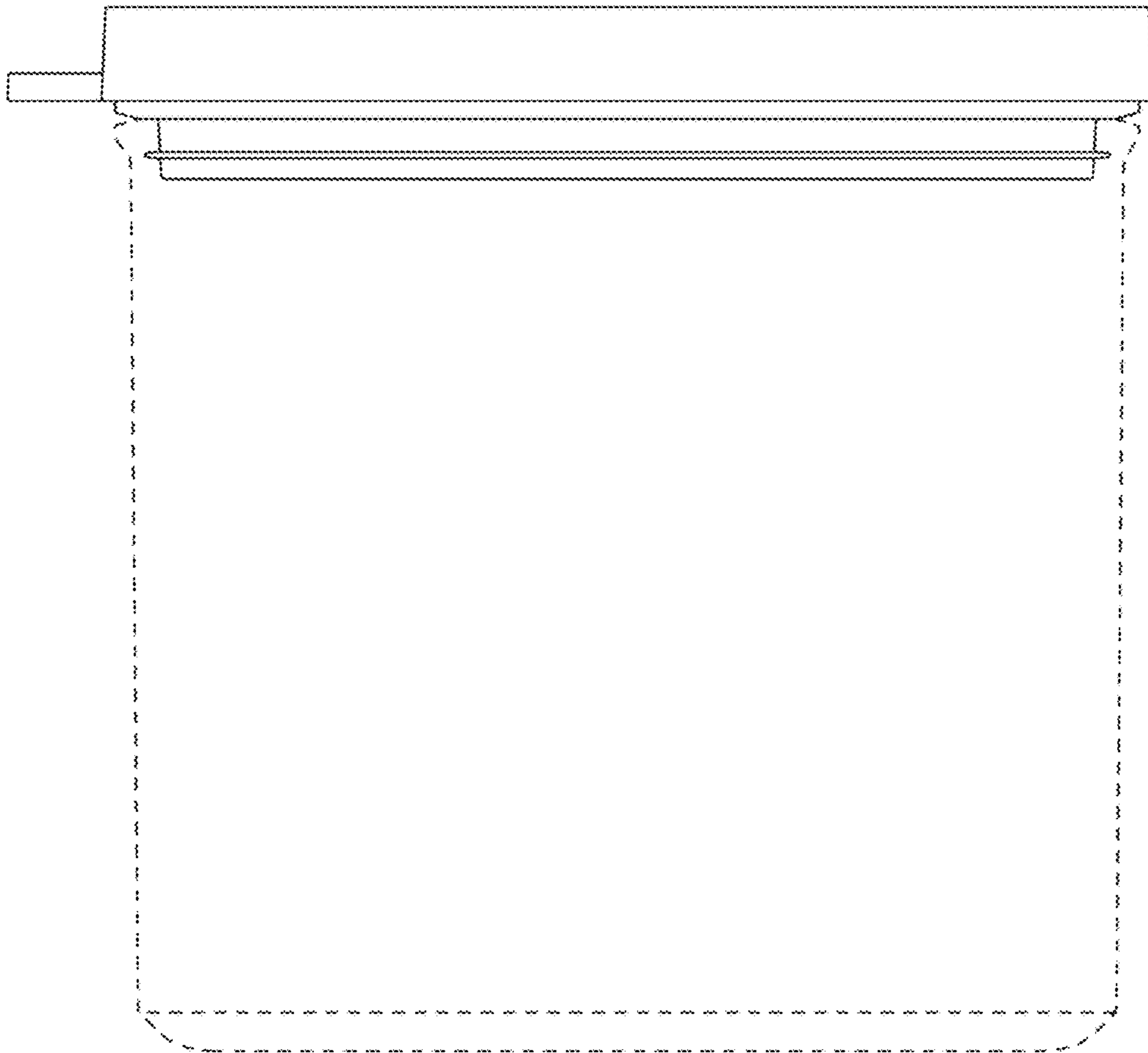


FIG. 3

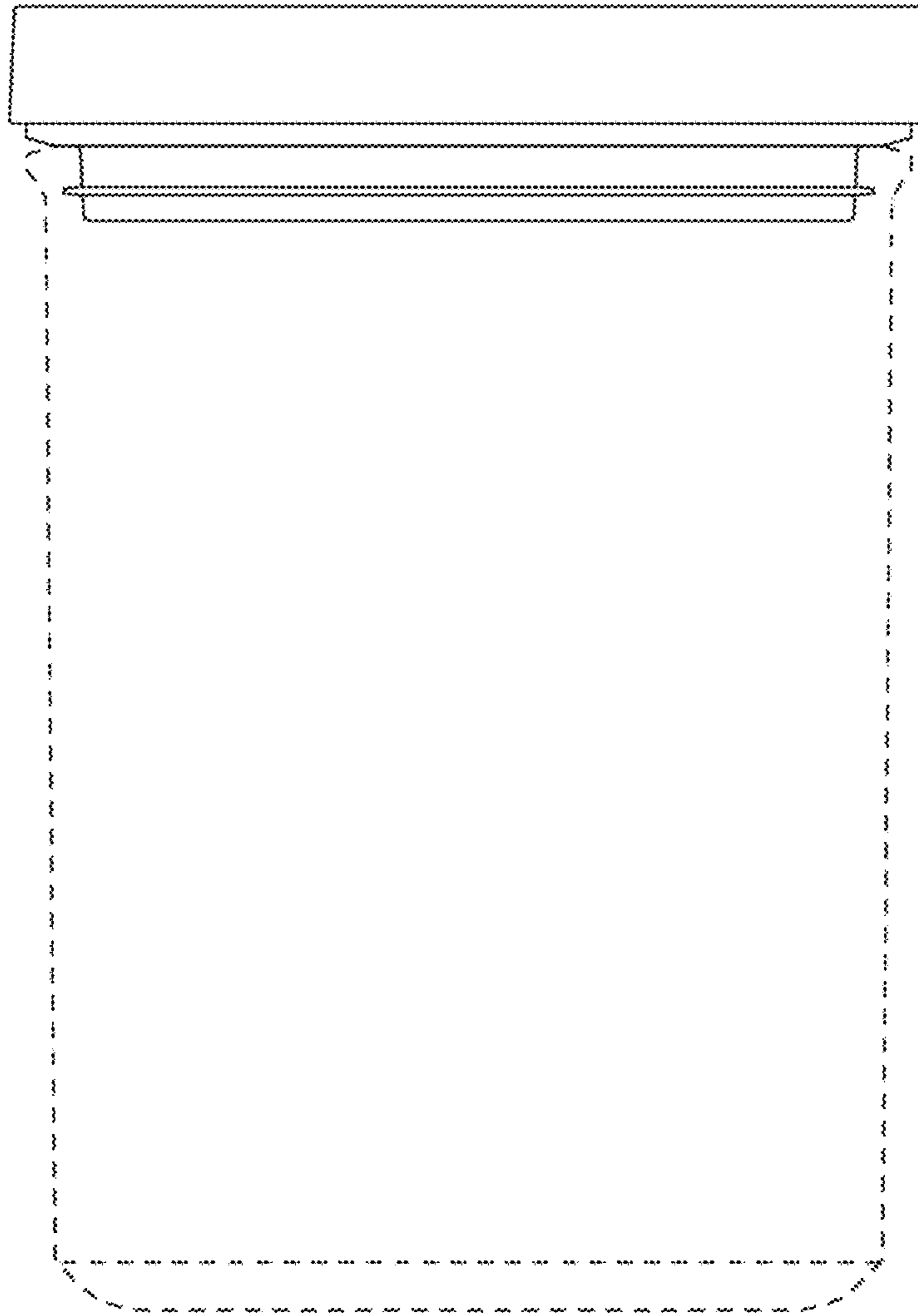


FIG. 4

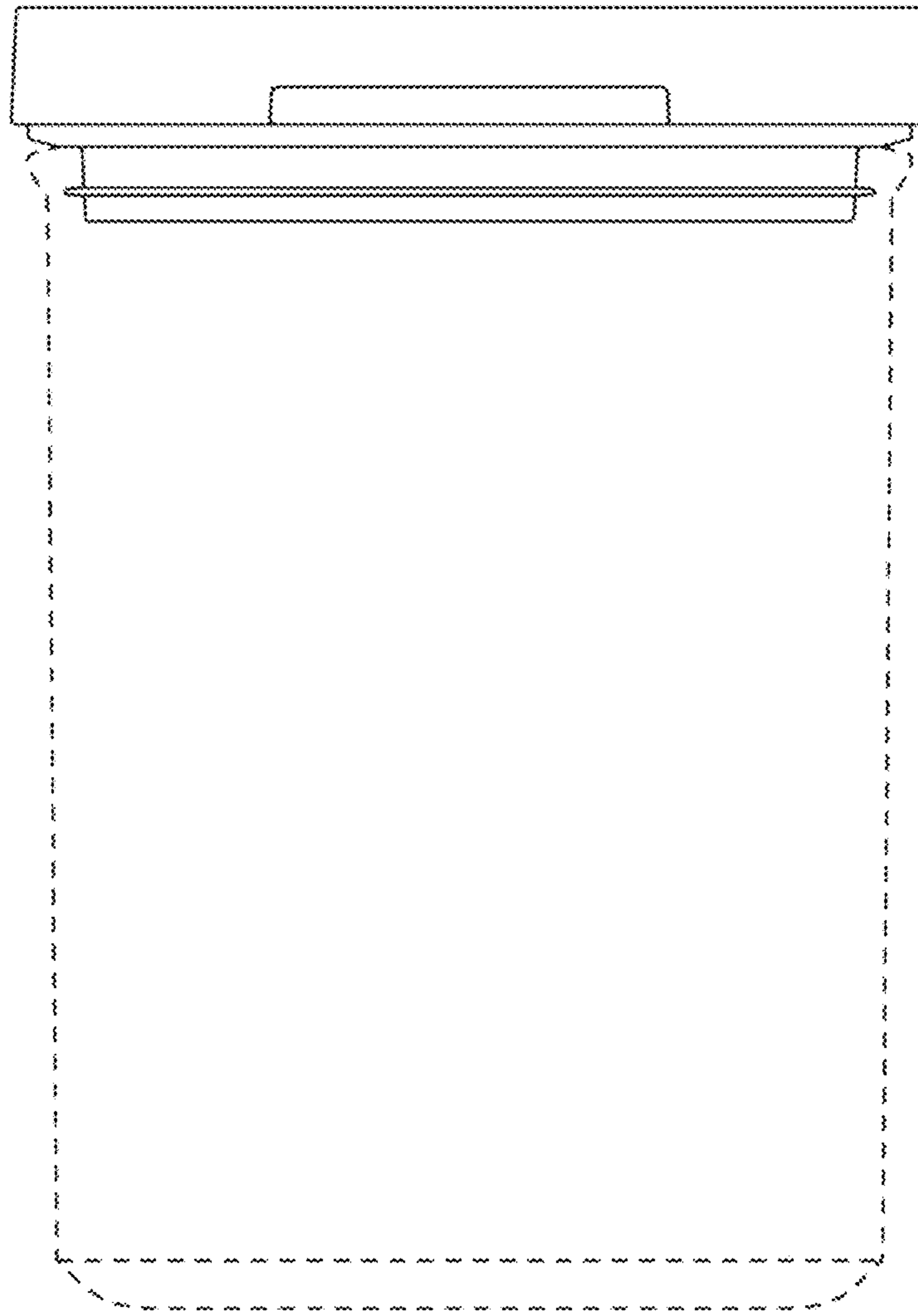


FIG. 5

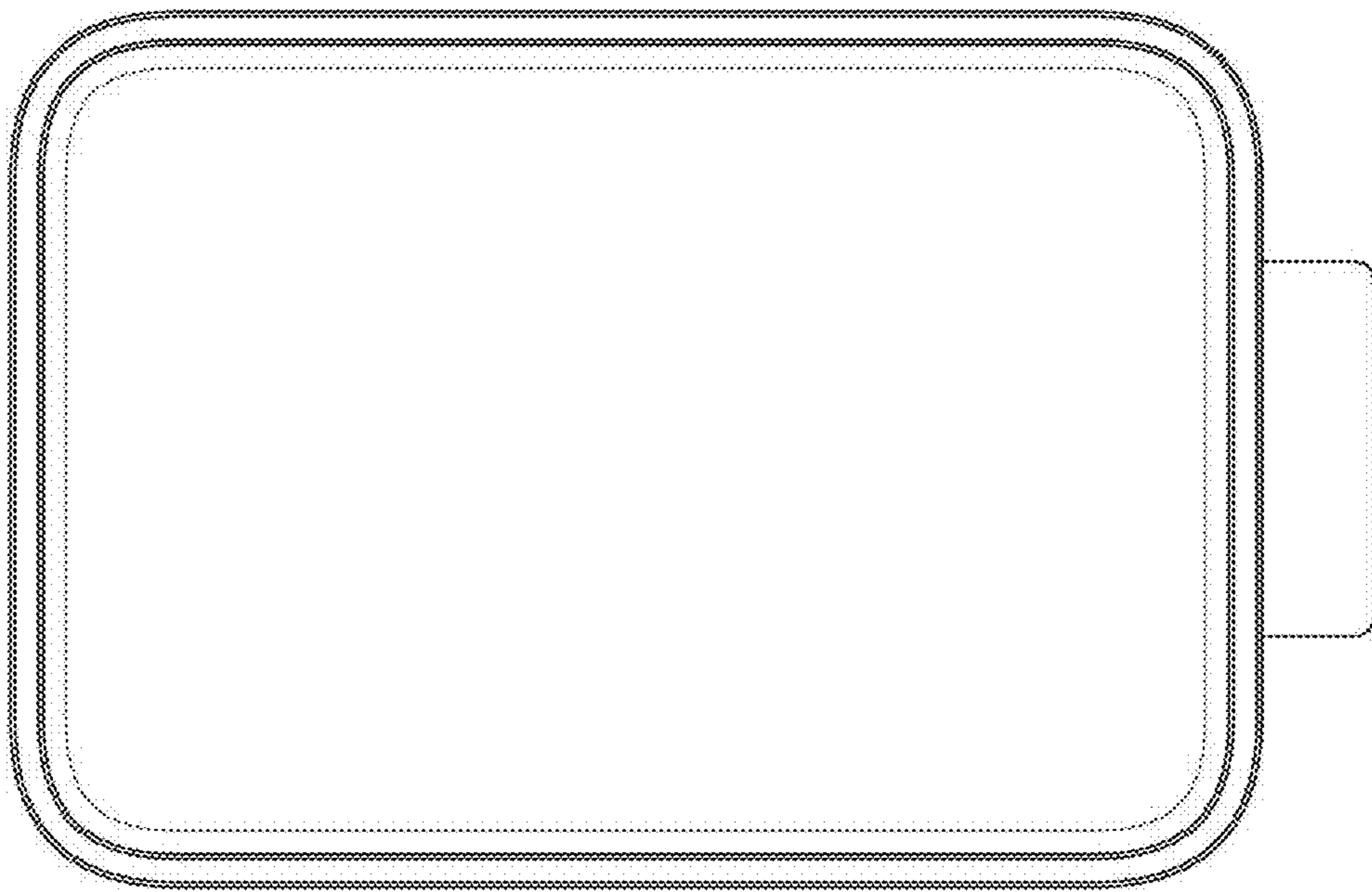


FIG. 6