



US00D856745S

(12) **United States Design Patent** (10) **Patent No.:** **US D856,745 S**
Heineman et al. (45) **Date of Patent:** **** Aug. 20, 2019**

(54) **ROASTER**

OTHER PUBLICATIONS

(71) Applicant: **INTEGRATED ROASTING TECHNOLOGIES, INC.**, San Francisco, CA (US)

International Search Report and Written Opinion issued by the International Searching Authority for Application No. PCT/US2017/052085, dated Jan. 17, 2018, 25 pages.

(72) Inventors: **Zachary Russell Heineman**, Oakland, CA (US); **Christopher Nicholas Hibmacronan**, Oakland, CA (US); **Joshua Morenstein**, San Francisco, CA (US); **Florent Olivier Alexandre**, San Francisco, CA (US)

Primary Examiner — Ricky Pham

(74) *Attorney, Agent, or Firm* — Cooley LLP

(57) **CLAIM**

The ornamental design for a roaster, as shown and described.

DESCRIPTION

(73) Assignee: **Integrated Roasting Technologies, Inc.**, San Francisco, CA (US)

FIG. 1 is a perspective view of an embodiment of the new design for a roaster;

FIG. 2 is a front view thereof;

FIG. 3 is a rear view thereof;

FIG. 4 is a left view thereof;

FIG. 5 is a right view thereof;

FIG. 6 is a top view thereof;

FIG. 7 is a bottom view thereof;

FIG. 8 is a perspective view of another embodiment of the new design for a roaster;

FIG. 9 is a front view thereof;

FIG. 10 is a rear view thereof;

FIG. 11 is a left view thereof;

FIG. 12 is a right view thereof;

FIG. 13 is a top view thereof; and,

FIG. 14 is a bottom view thereof.

The evenly spaced broken lines are directed to environment that forms no part of the claimed design and are for illustrative purposes only, and/or represent portions that form no part of the claimed design. Thin solid lines illustrate surface contour and form no part of the claimed design. The wavy dot-dash broken lines represent a symbolic break in the length, width, and height, depicting variable length, width, and/or height of the claimed design and form no part of the claimed design.

The wavy dot-dash broken break lines in the drawings indicate the appearance of any portion of the article between the break lines forms no part of the claimed design.

(**) Term: **15 Years**

(21) Appl. No.: **29/618,016**

(22) Filed: **Sep. 18, 2017**

(51) **LOC (12) Cl.** **31-00**

(52) **U.S. Cl.**

USPC **D7/372; D7/373**

(58) **Field of Classification Search**

USPC **D7/300, 323, 305-311, 347-349, 355, D7/362, 365, 367, 373, 397, 399, 405**

(Continued)

(56) **References Cited**

U.S. PATENT DOCUMENTS

D238,897 S * 2/1976 Wilson D7/338

4,360,970 A 11/1982 Ostroski et al.

D284,538 S 7/1986 Friz

D366,808 S 2/1996 Newnan

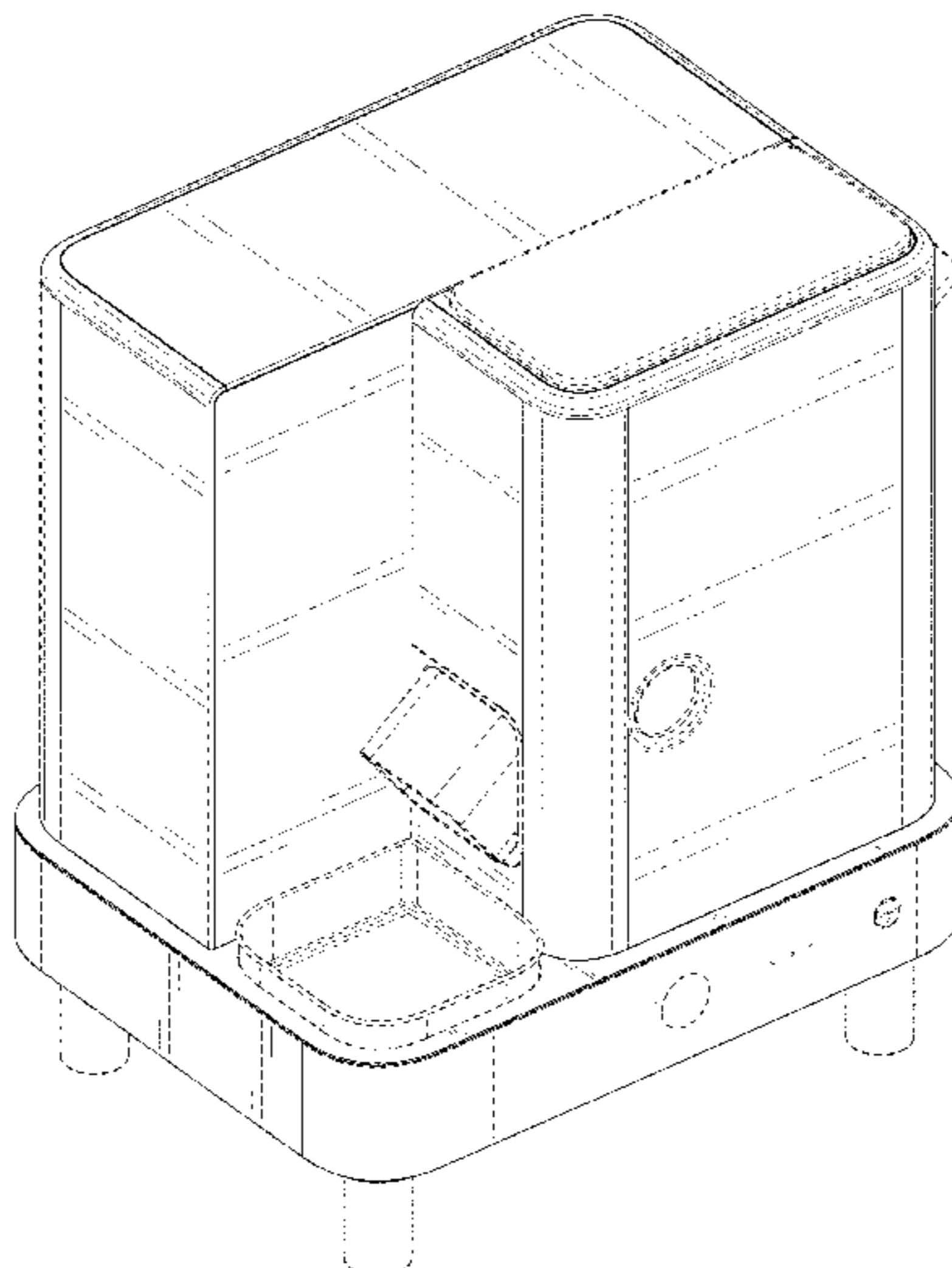
D373,046 S 8/1996 Newnan

(Continued)

FOREIGN PATENT DOCUMENTS

WO 2013192569 A2 12/2013

1 Claim, 14 Drawing Sheets



(58) **Field of Classification Search**

CPC .. A47J 27/04; A47J 31/00; A47J 31/18; A47J 31/46; A47J 31/50; A47J 31/52; A47J 31/54; A47J 31/407; A47J 31/4403; A47J 31/0573; A47J 45/00; A47J 45/02; B01F 13/1055; B67D 7/0288; F24C 3/00; F24C 3/14; F24C 7/00; F24C 7/105; F24C 14/00; F24C 14/025; F24C 15/00; F24C 15/18

See application file for complete search history.

(56)

References Cited

U.S. PATENT DOCUMENTS

6,106,877 A 8/2000 Allington et al.
 D453,088 S * 1/2002 Bell D7/307
 D474,111 S 5/2003 Lazaris
 D489,215 S 5/2004 Honan et al.
 D532,643 S * 11/2006 Tanaka D7/338
 D544,299 S 6/2007 Schaffeld et al.
 D647,398 S 10/2011 Winkler
 D670,133 S 11/2012 Caswell et al.
 8,496,032 B2 * 7/2013 Miller B67D 7/0288
 137/313
 D696,061 S * 12/2013 Caswell D7/372
 D713,668 S * 9/2014 Metaxatos D7/309

D719,404 S 12/2014 Manly et al.
 D720,180 S 12/2014 Manly et al.
 D721,247 S 1/2015 Manly et al.
 D721,248 S 1/2015 Manly et al.
 D722,463 S 2/2015 Manly et al.
 D723,317 S 3/2015 Manly et al.
 D737,625 S 9/2015 Caswell et al.
 D747,187 S 1/2016 Cochran et al.
 D763,614 S 8/2016 Han et al.
 D774,820 S * 12/2016 Yang D7/306
 D789,198 S 6/2017 Ngo et al.
 D792,165 S 7/2017 Cauwood et al.
 D840,735 S * 2/2019 Dutruel D7/309
 2006/0108415 A1 5/2006 Thomas et al.
 2006/0147590 A1 7/2006 Freedman
 2006/0266229 A1 11/2006 Ribich
 2008/0089986 A1 4/2008 Song
 2008/0156816 A1 7/2008 Gelardi
 2009/0130277 A1 5/2009 Bressner et al.
 2009/0187086 A1 7/2009 Benaron et al.
 2009/0308831 A1 12/2009 Anderson
 2012/0248137 A1 * 10/2012 Baak B01F 13/1055
 222/1
 2013/0276637 A1 10/2013 Stordy et al.
 2015/0366234 A1 12/2015 Kuempel et al.
 2016/0120211 A1 5/2016 Wilson
 2016/0212831 A1 7/2016 Dobai et al.

* cited by examiner

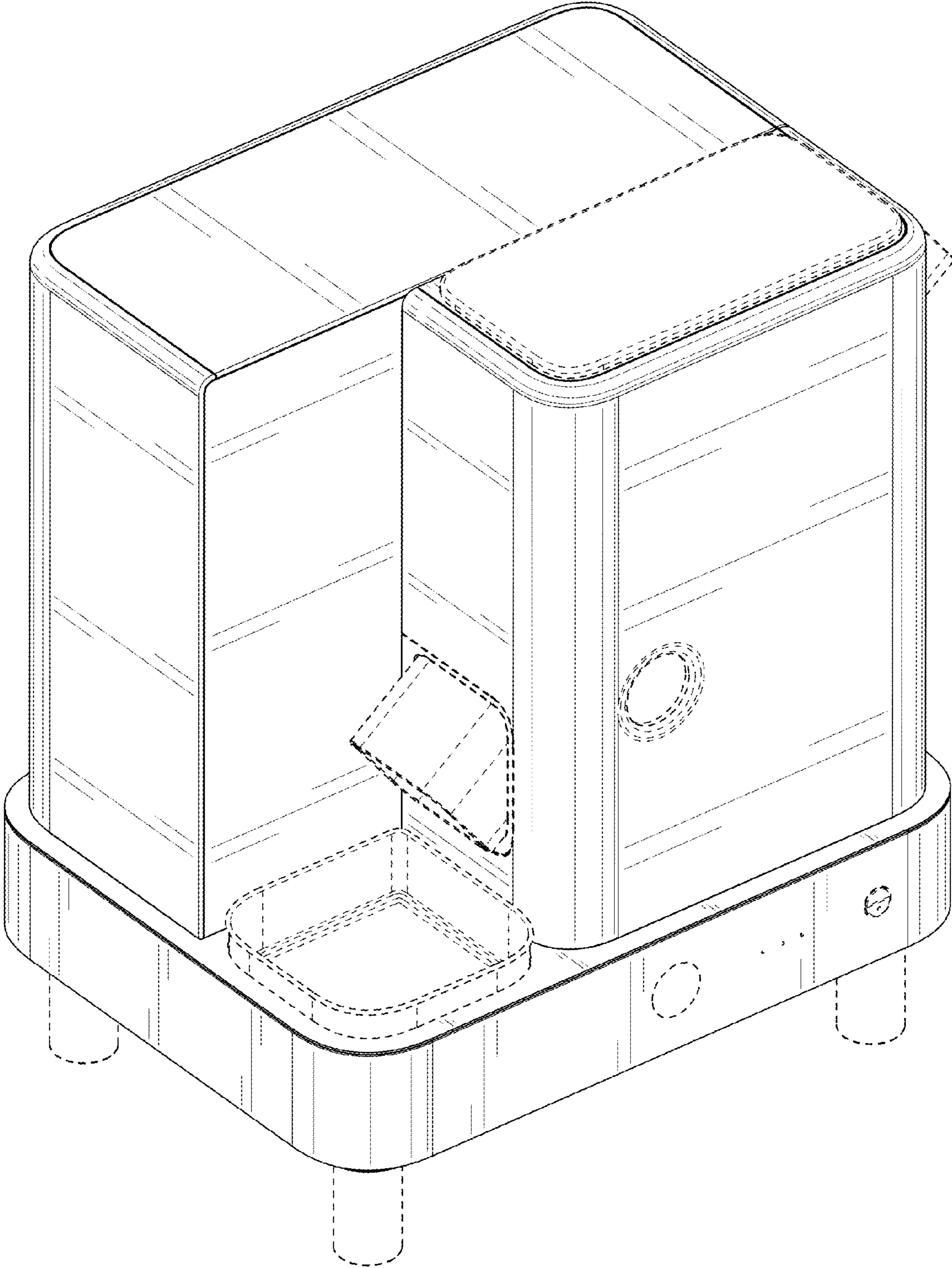


FIG. 1

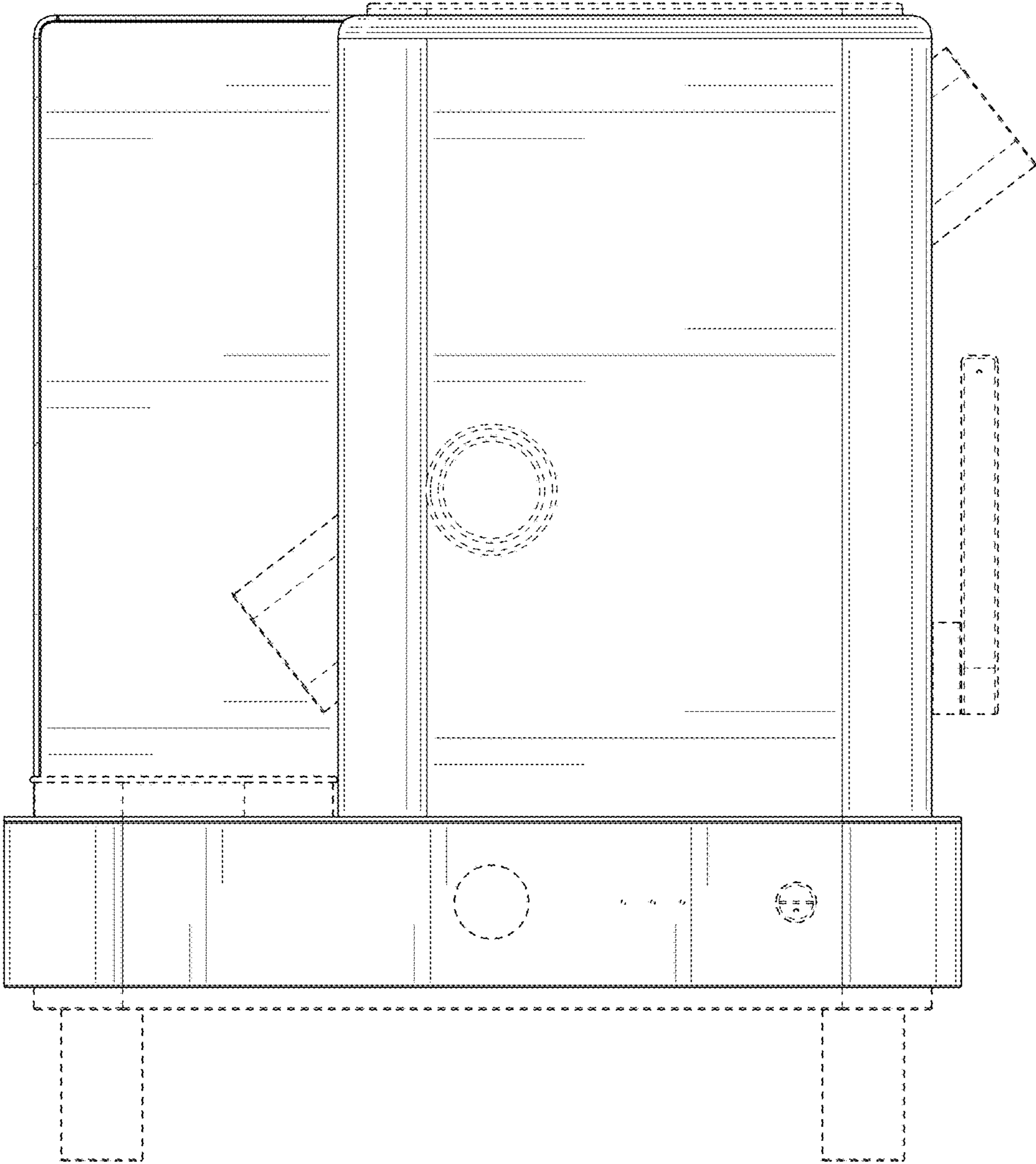


FIG. 2

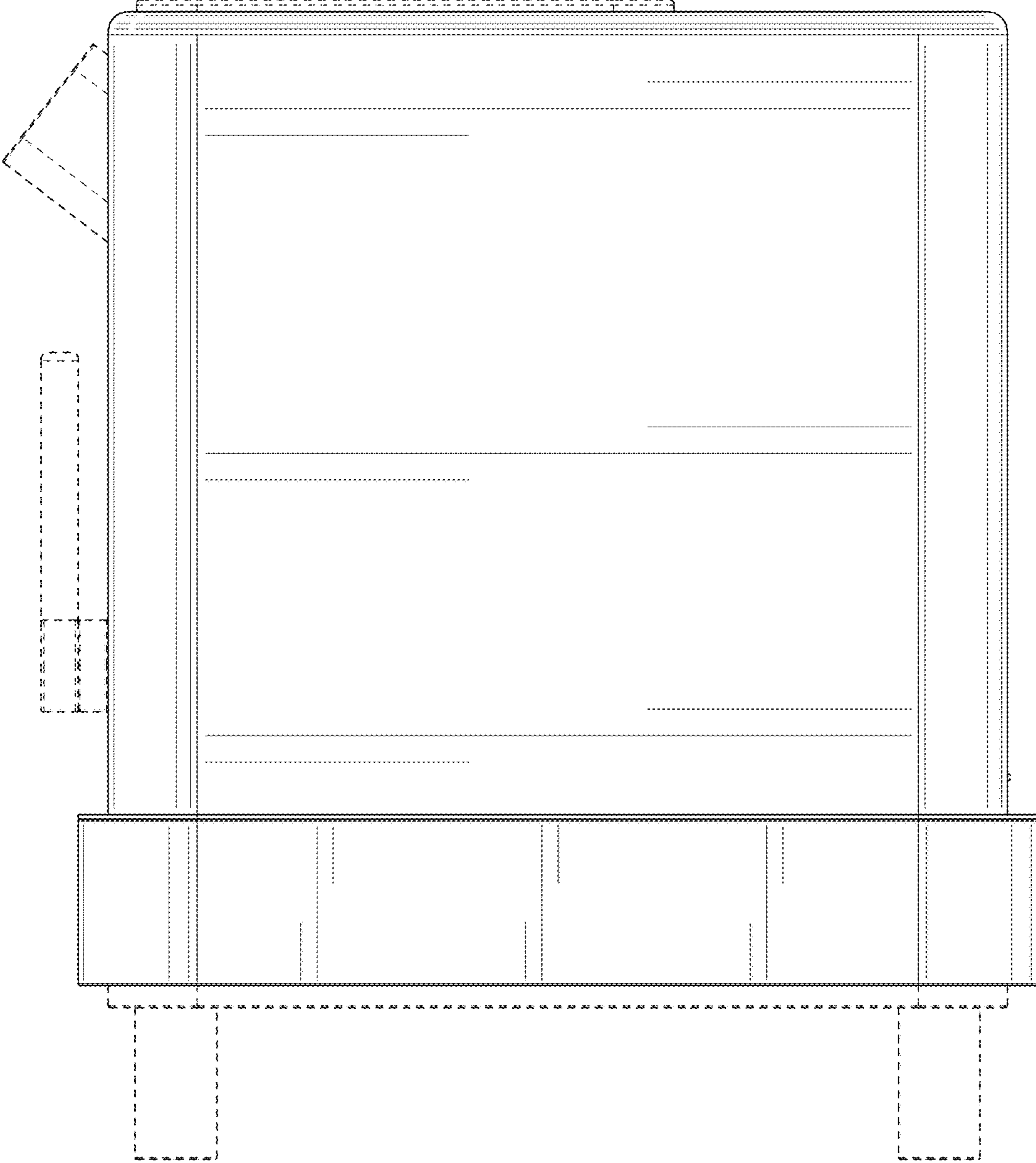


FIG. 3

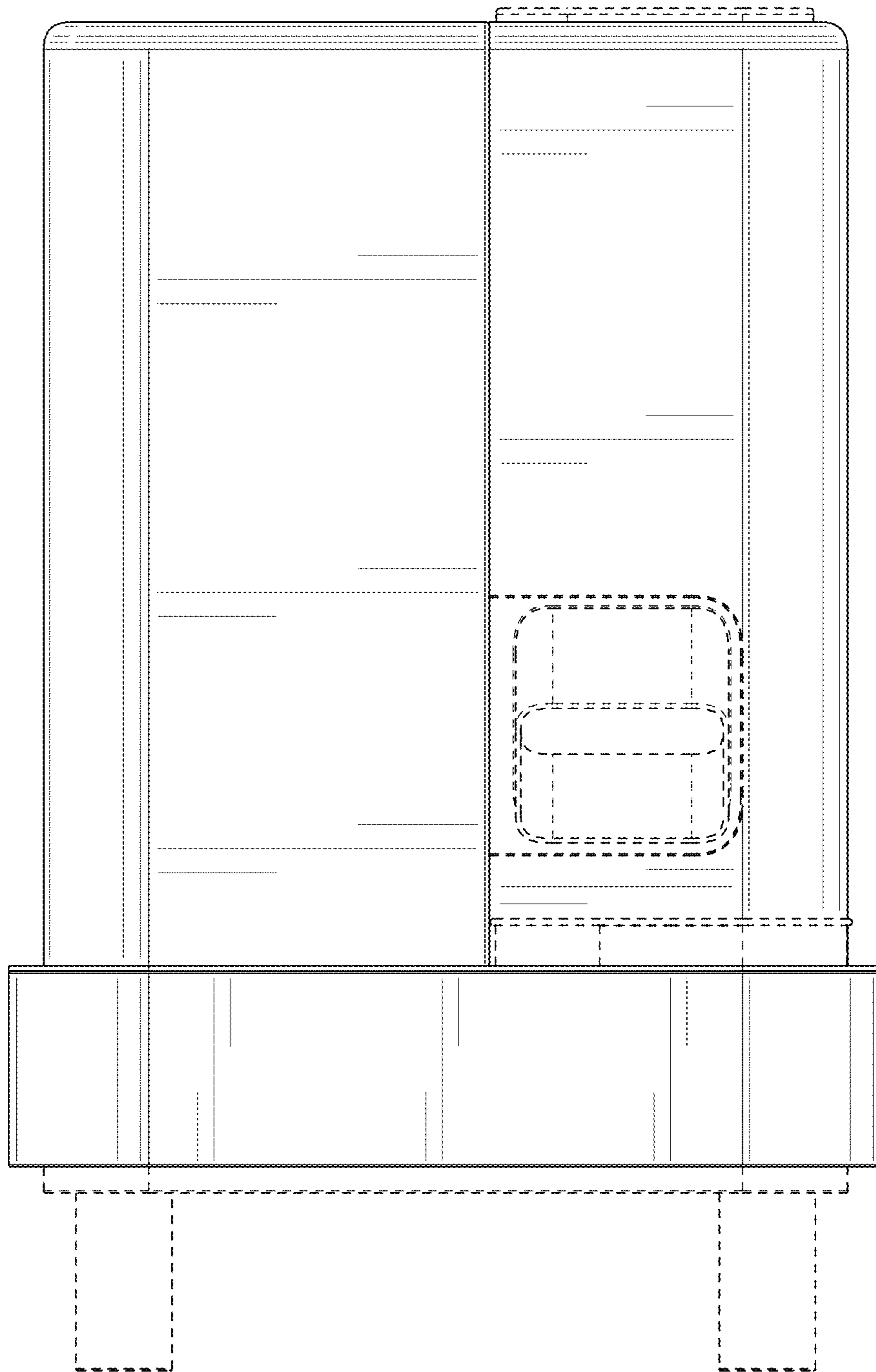


FIG. 4

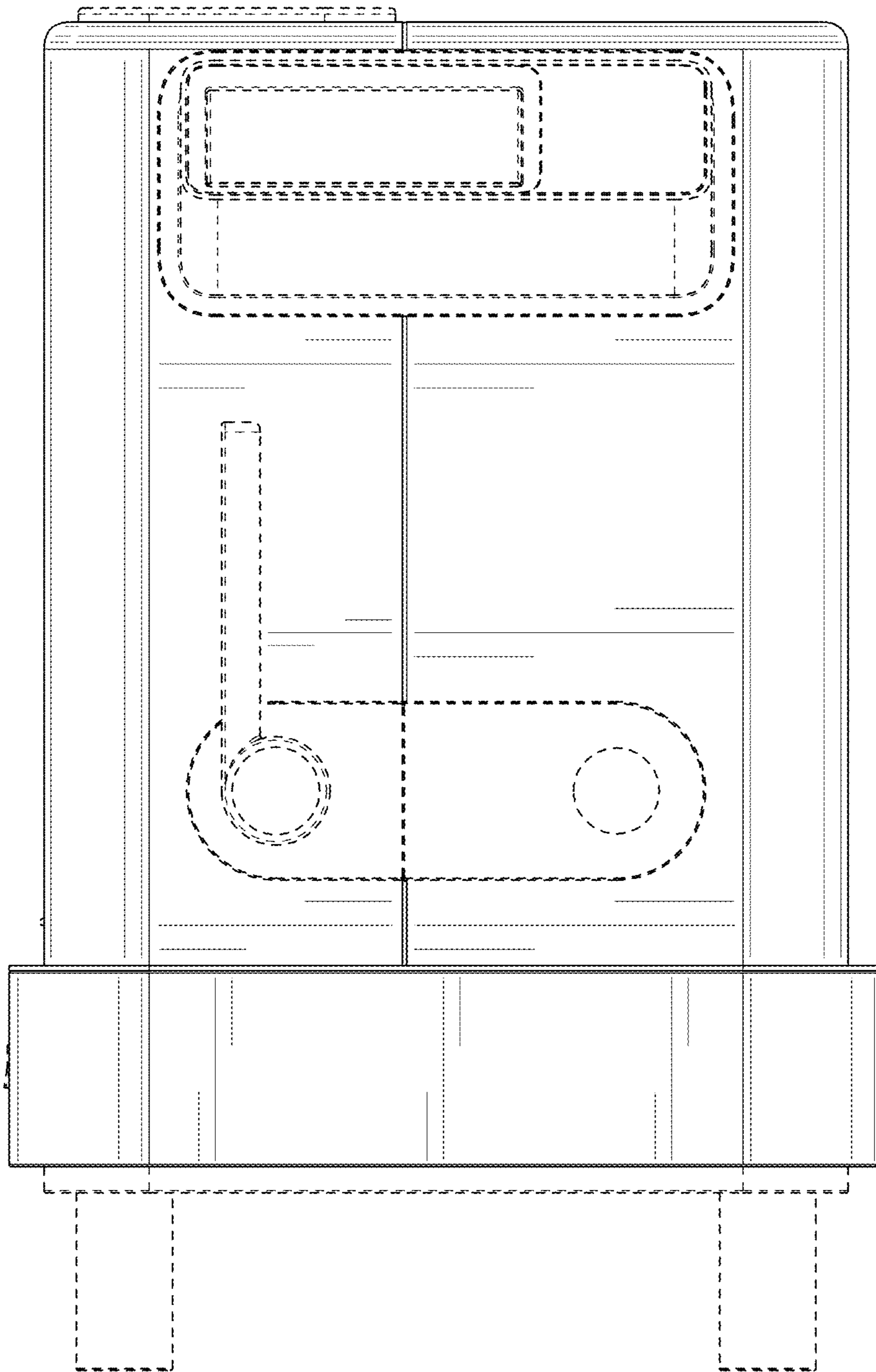


FIG. 5

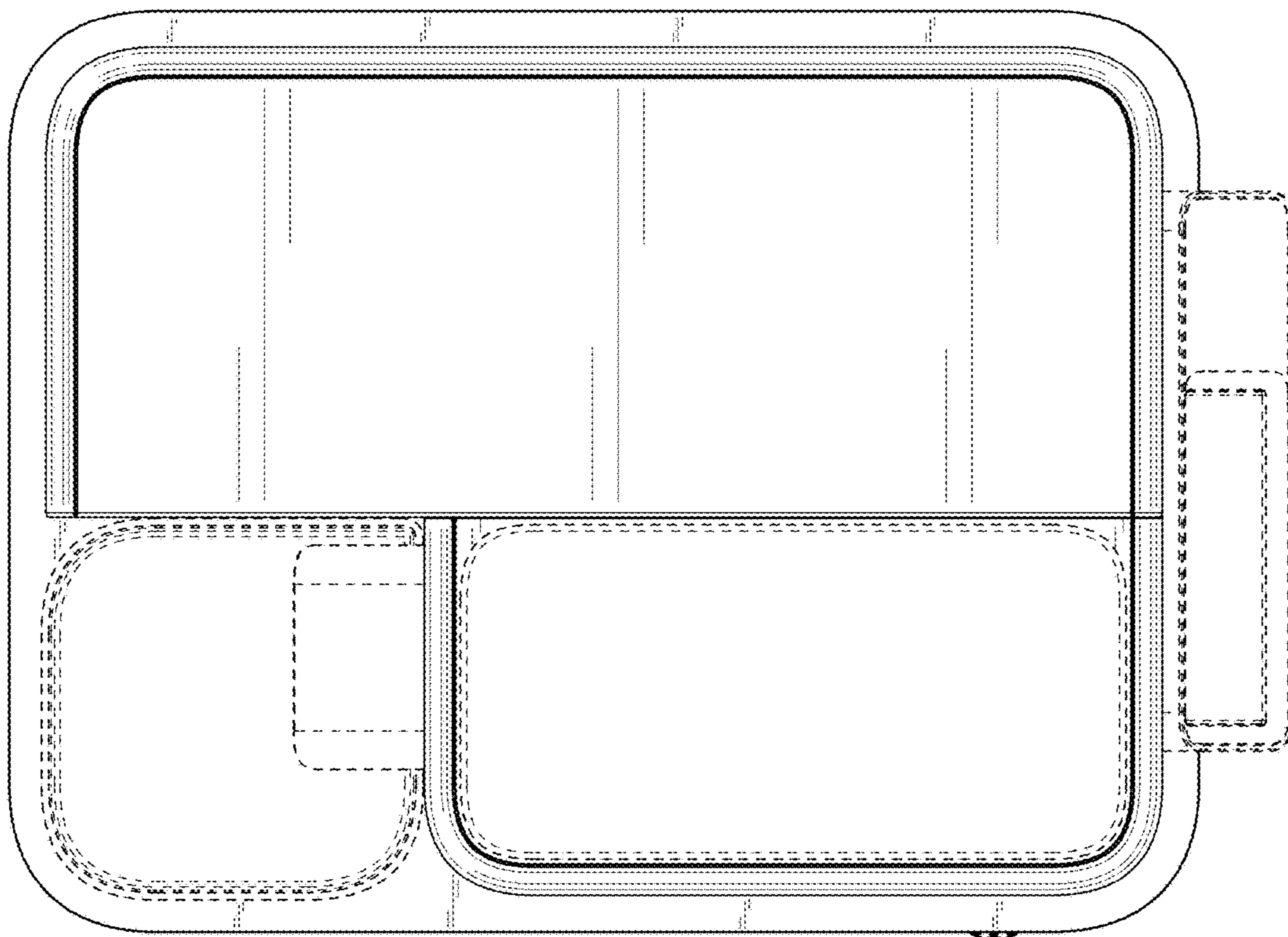


FIG. 6

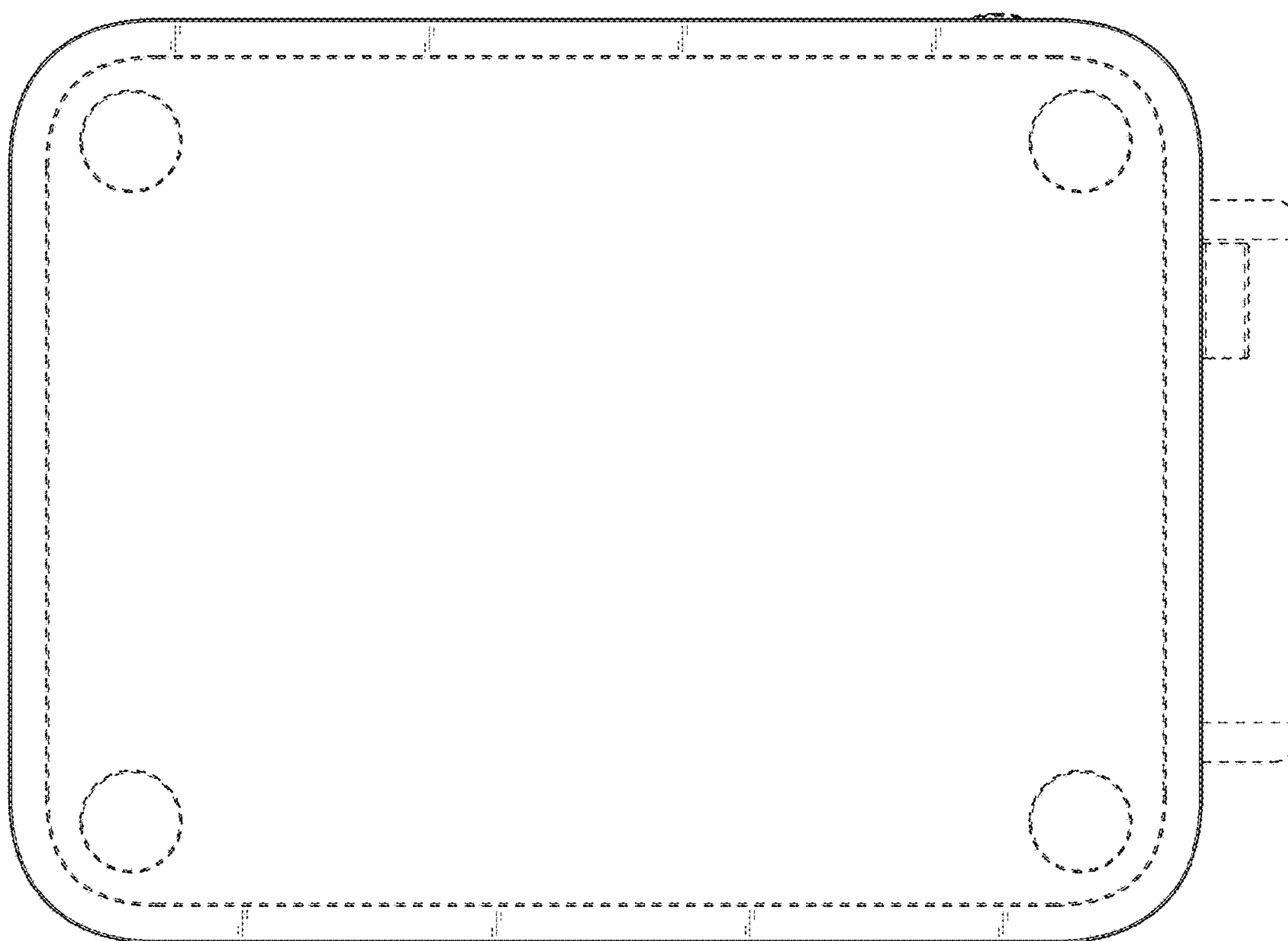


FIG. 7

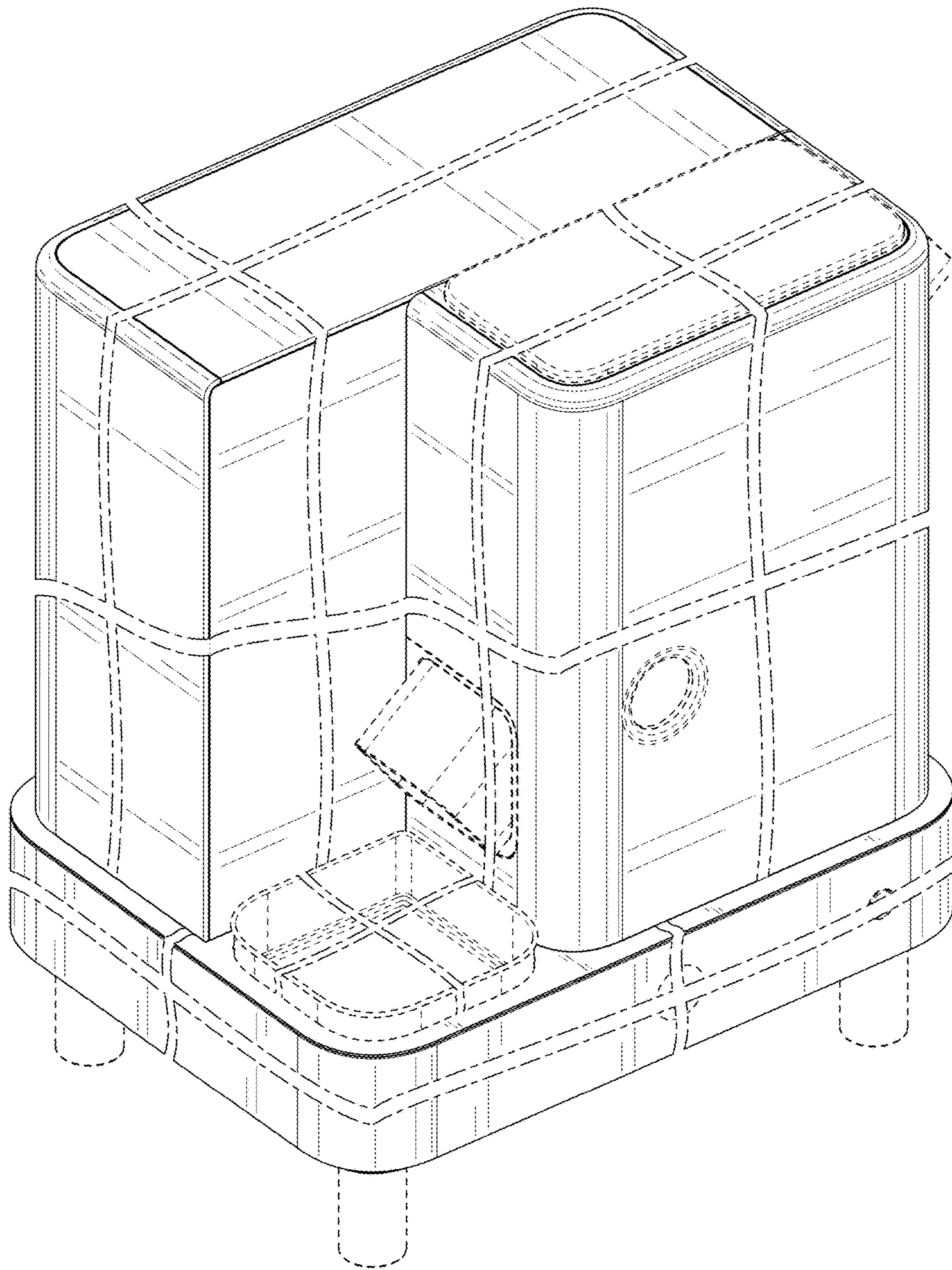


FIG. 8

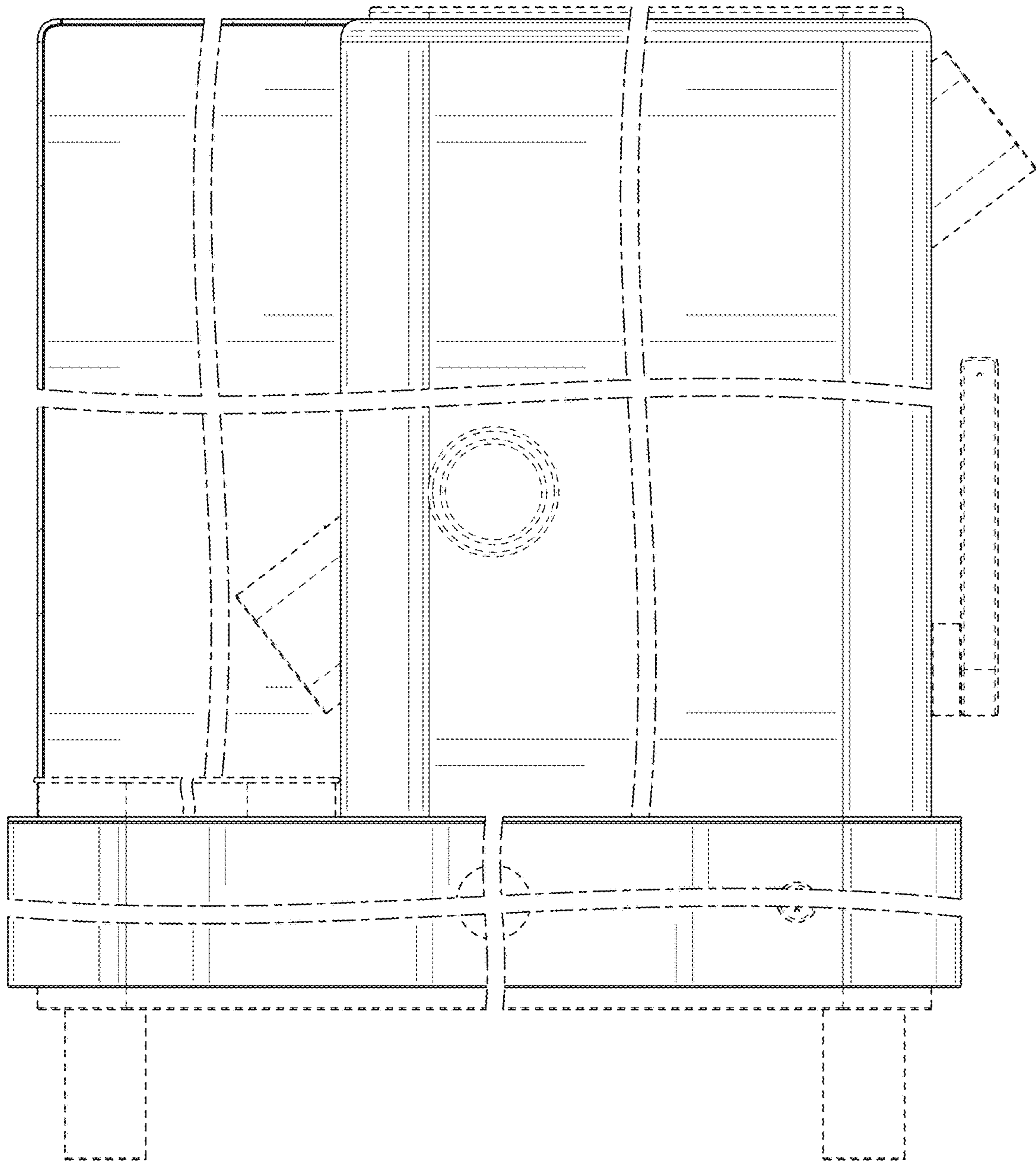


FIG. 9

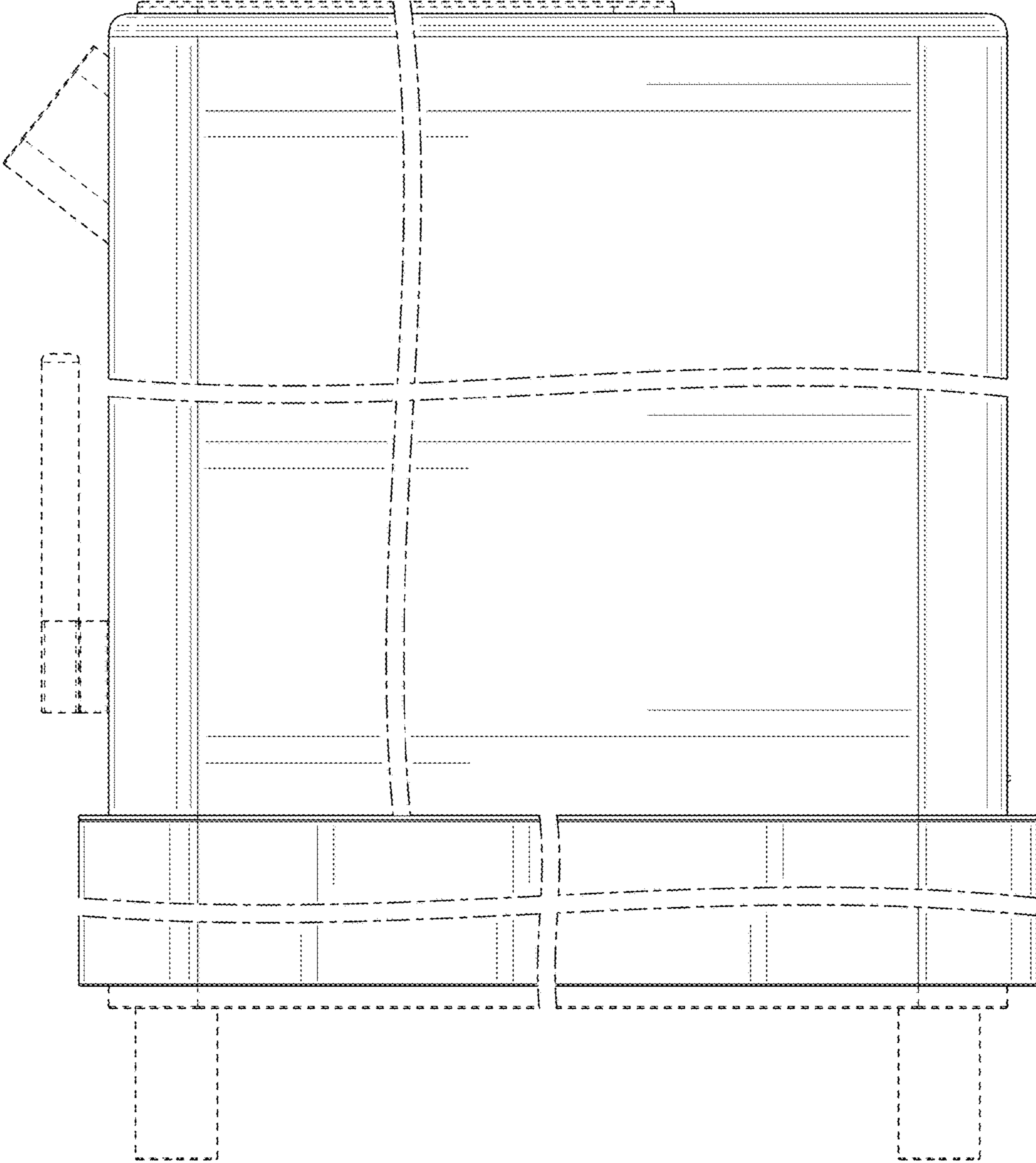


FIG. 10

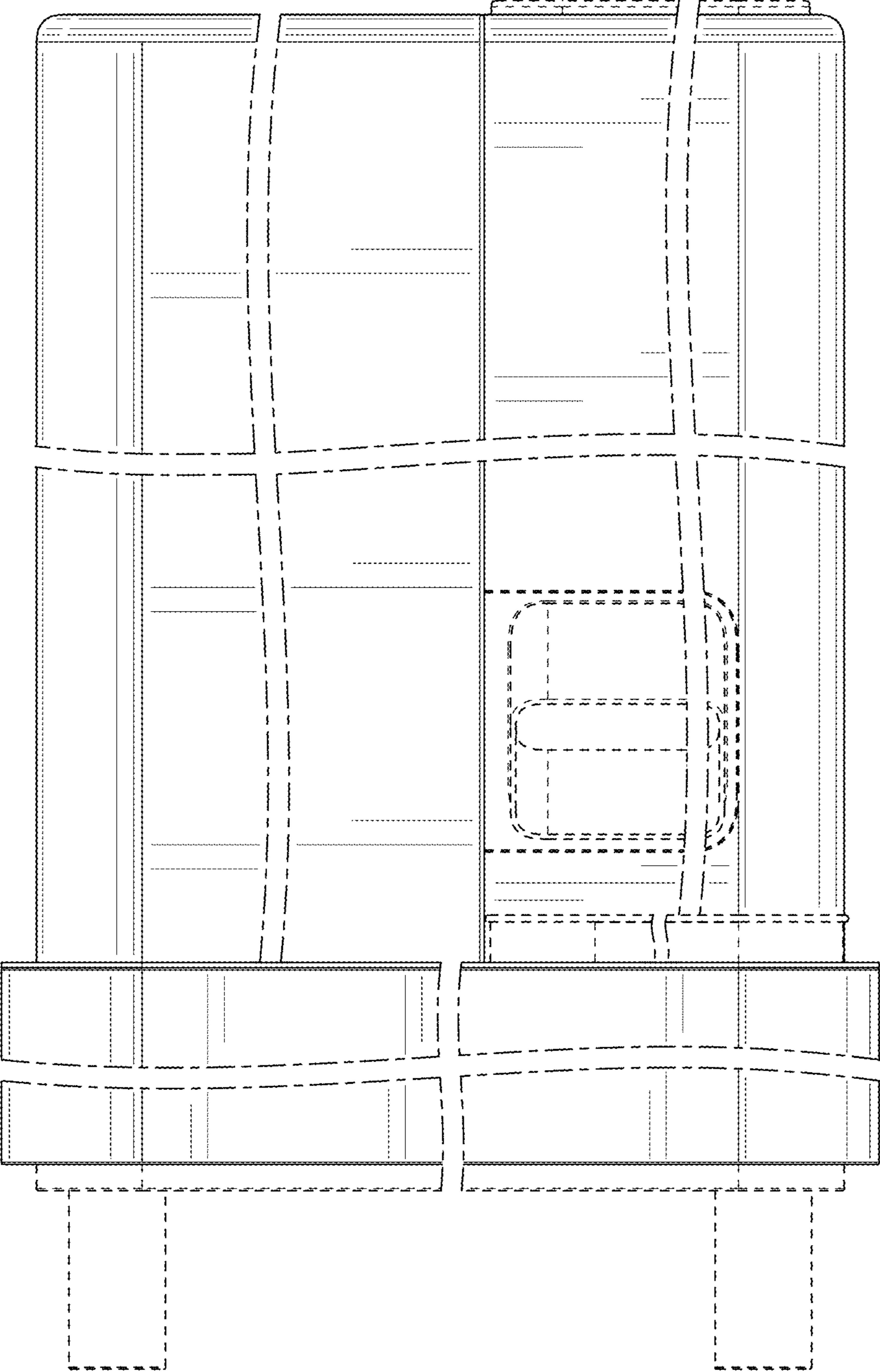


FIG. 11

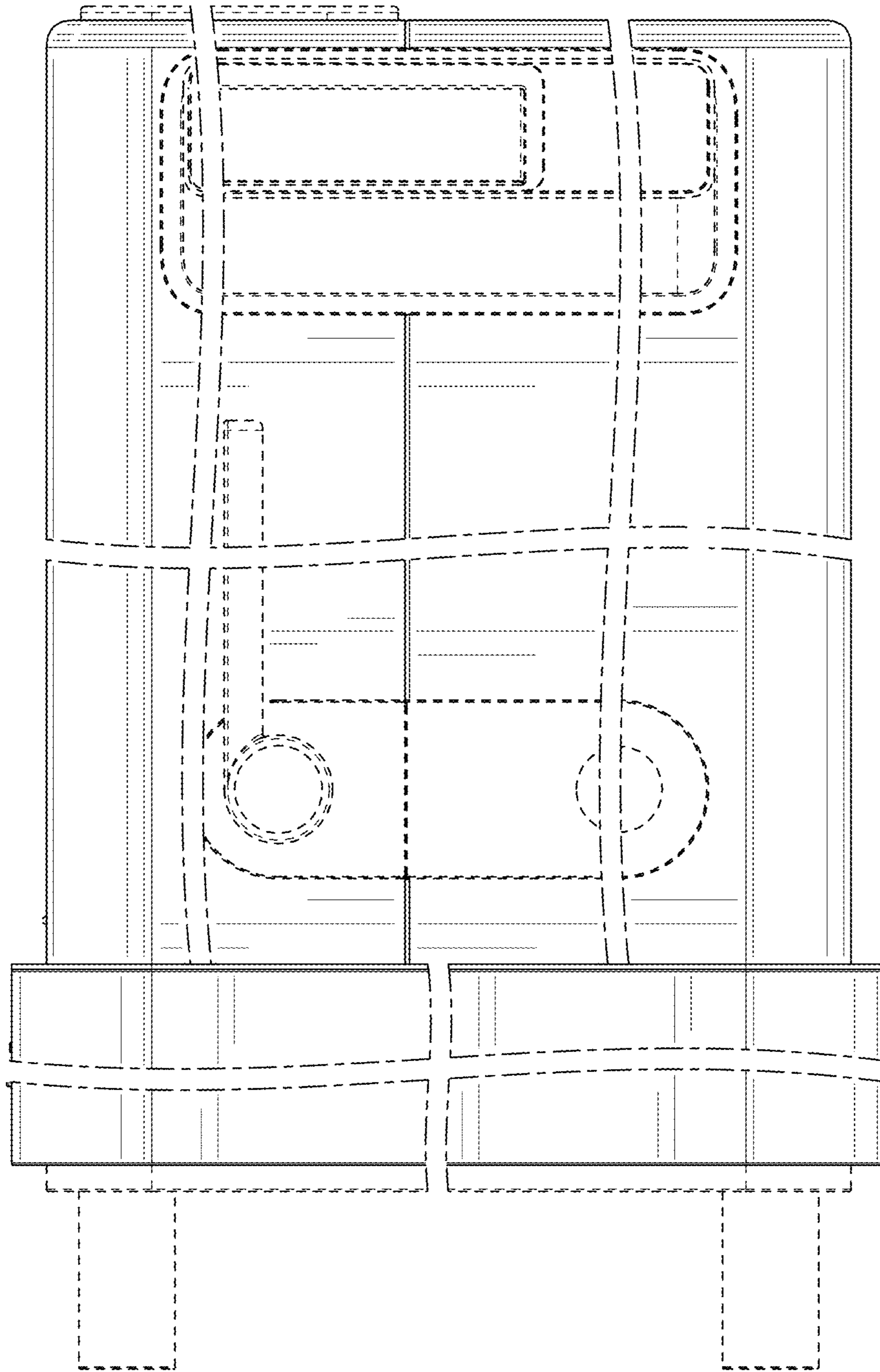


FIG. 12

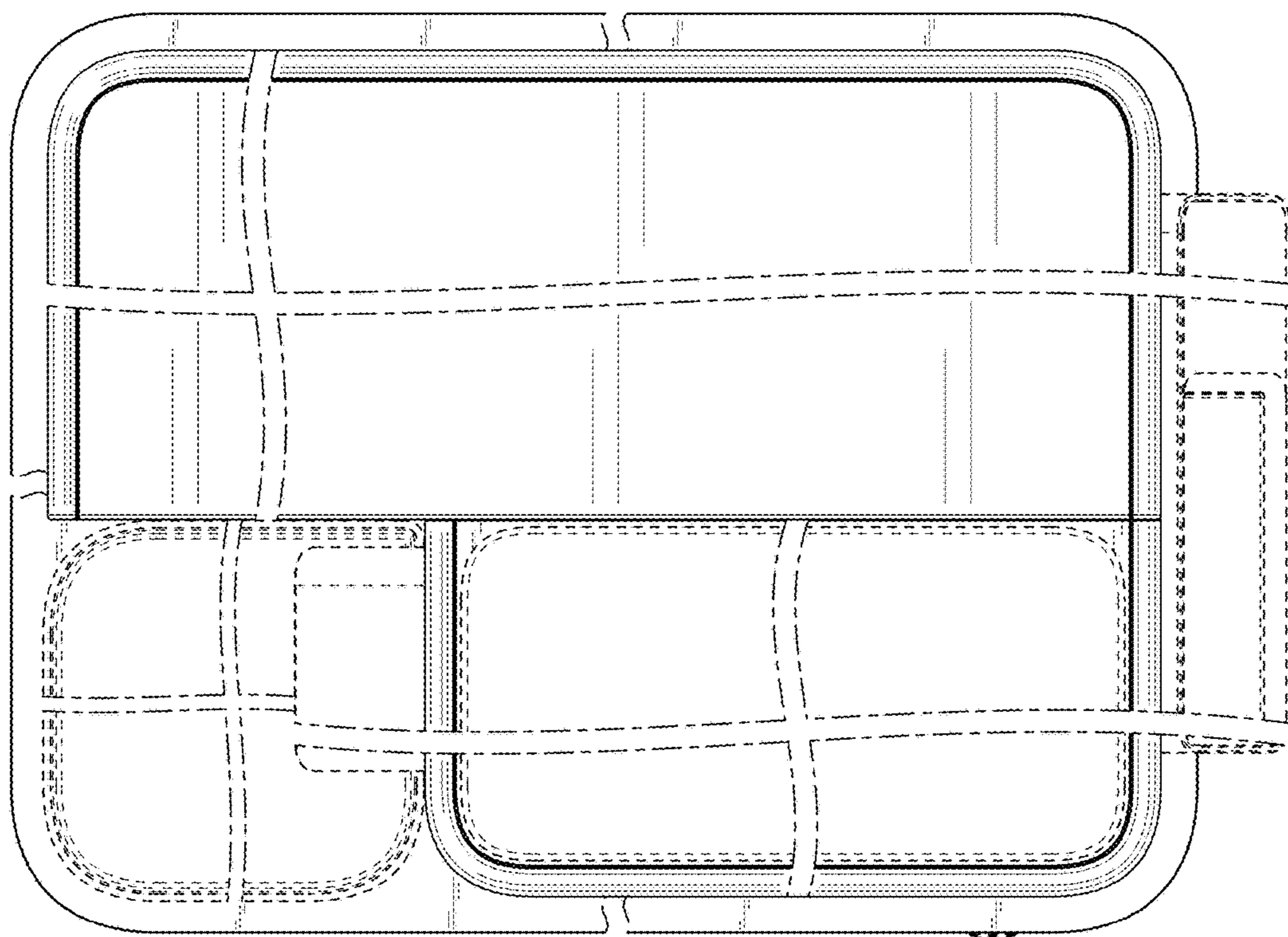


FIG. 13

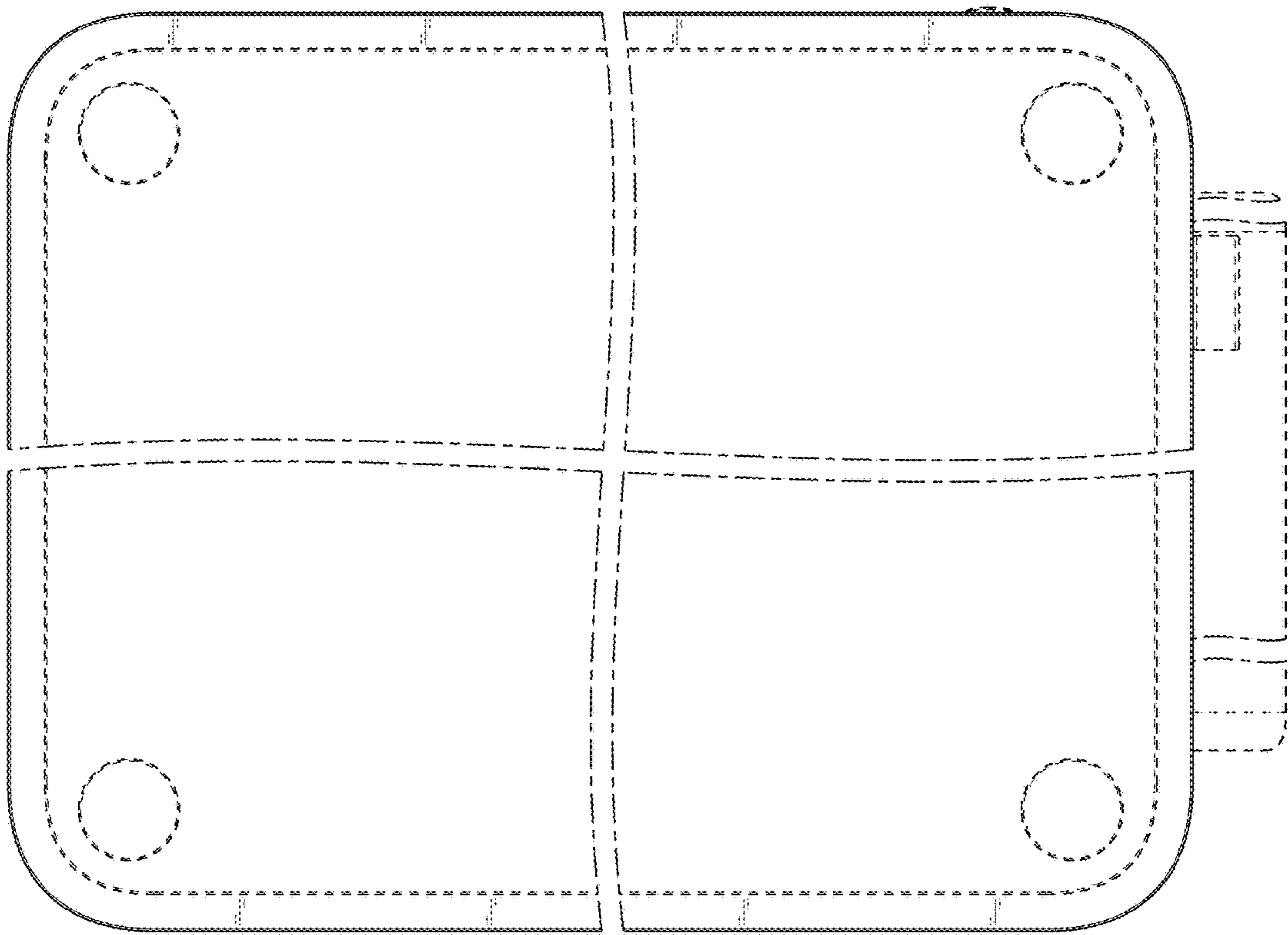


FIG. 14