



US00D856744S

(12) **United States Design Patent** (10) **Patent No.:** **US D856,744 S**
Miyawaki (45) **Date of Patent:** **** Aug. 20, 2019**

(54) **YOGURT MAKER**

(56) **References Cited**

(71) Applicant: **IRIS OHYAMA INC.**, Sendai-shi,
Miyagi (JP)

(72) Inventor: **Masayuki Miyawaki**, Kakuda (JP)

(73) Assignee: **IRIS OHYAMA INC.**, Sendai-shi (JP)

(**) Term: **15 Years**

(21) Appl. No.: **29/645,210**

(22) Filed: **Apr. 24, 2018**

U.S. PATENT DOCUMENTS

D227,971	S	*	7/1973	Weiss	99/501
D346,526	S	*	5/1994	Bannigan	D7/323
D371,055	S	*	6/1996	Fouquet	D7/665
D390,745	S	*	2/1998	Leverrier	D7/381
D394,984	S	*	6/1998	Andrieu	D10/88
D410,171	S	*	5/1999	Lallemand	D7/372
D621,206	S	*	8/2010	Matta	D7/372
D634,155	S	*	3/2011	Duncan	D7/372
D816,394	S	*	5/2018	Yeung	D7/378
D825,983	S	*	8/2018	Kraemer	D7/373
2009/0032627	A1	*	2/2009	Krasznoi	A47J 42/26 241/36

(30) **Foreign Application Priority Data**

Oct. 31, 2017 (JP) 2017-024229

(51) **LOC (12) Cl.** **31-00**

(52) **U.S. Cl.**
USPC **D7/370**

(58) **Field of Classification Search**
USPC D7/323, 372-373, 376-386, 412-413,
D7/602, 629, 665-666, 669, 679,
D7/693-694

CPC A21C 1/02; A21C 1/04; A23N 1/00; A23N
1/02; A47J 43/04; A47J 43/25; A47J
43/27; A47J 43/042; A47J 43/044; A47J
43/046; A47J 43/07; A47J 43/075; A47J
43/0716; A47J 43/0722; A47J 43/0727;
A47J 42/26; B01F 3/00; B01F 3/0807;
B01F 3/0853; B01F 13/0059; B01F
13/0064; B02C 1/08; B02C 2/04; B02C
4/42; B02C 4/142; B02C 4/143; B02C
4/423; B02C 13/1835; B28C 5/10; B28C
5/12; B28C 5/14; B28C 5/16

See application file for complete search history.

* cited by examiner

Primary Examiner — Ricky Pham

(74) *Attorney, Agent, or Firm* — Studebaker & Brackett
PC

(57) **CLAIM**

The ornamental design for a yogurt maker, as shown and described.

DESCRIPTION

FIG. 1 is a front, top and right-side perspective view of a yogurt maker showing my new design;
 FIG. 2 is a front view thereof;
 FIG. 3 is a rear view thereof;
 FIG. 4 is a top view thereof;
 FIG. 5 is a bottom view thereof;
 FIG. 6 is a right-side view thereof, with a left-side view being a mirror image thereof; and,
 FIG. 7 is a cross-sectional view taken along line 7-7 in FIG. 2, in which an internal mechanism is omitted.

1 Claim, 7 Drawing Sheets

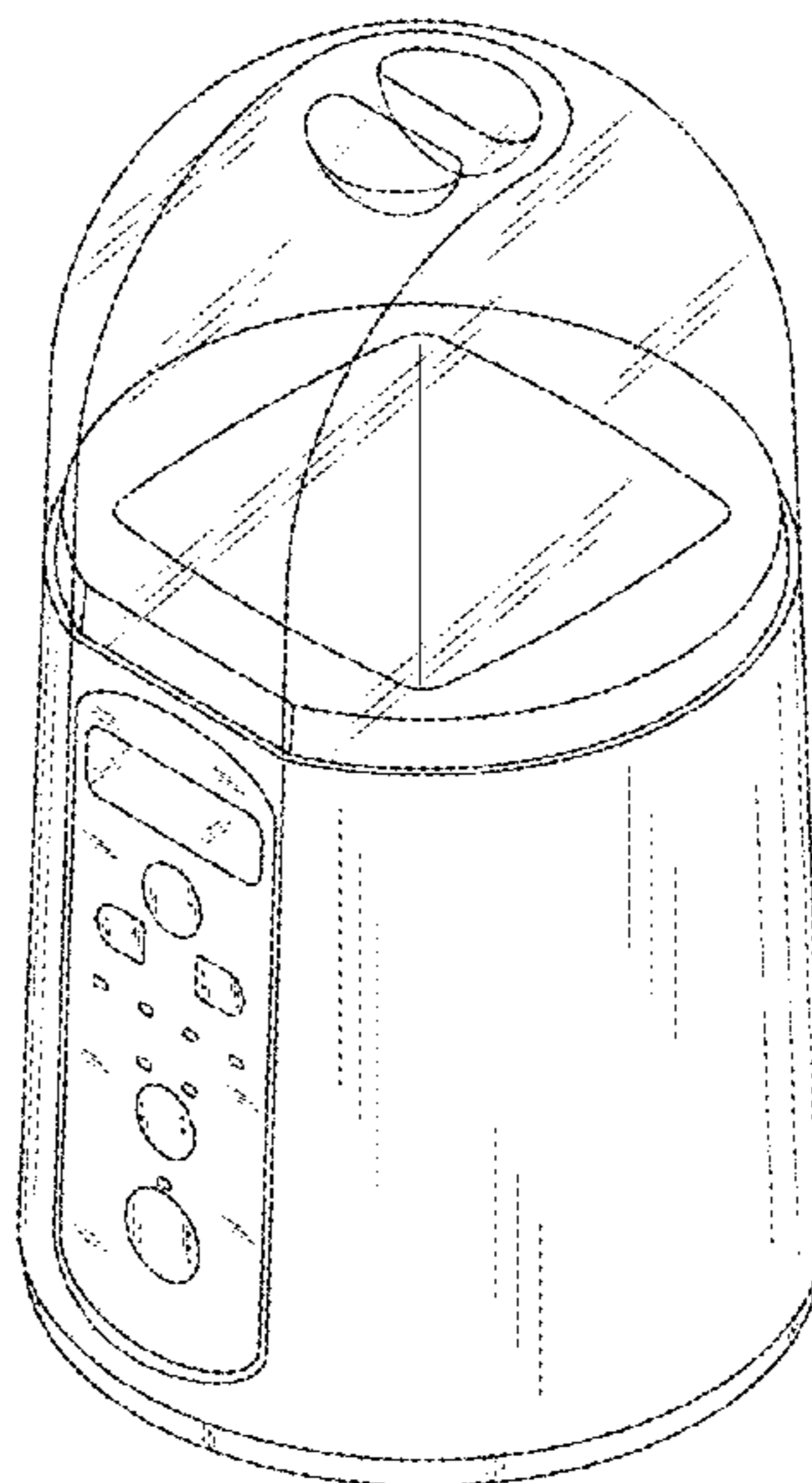


FIG. 1

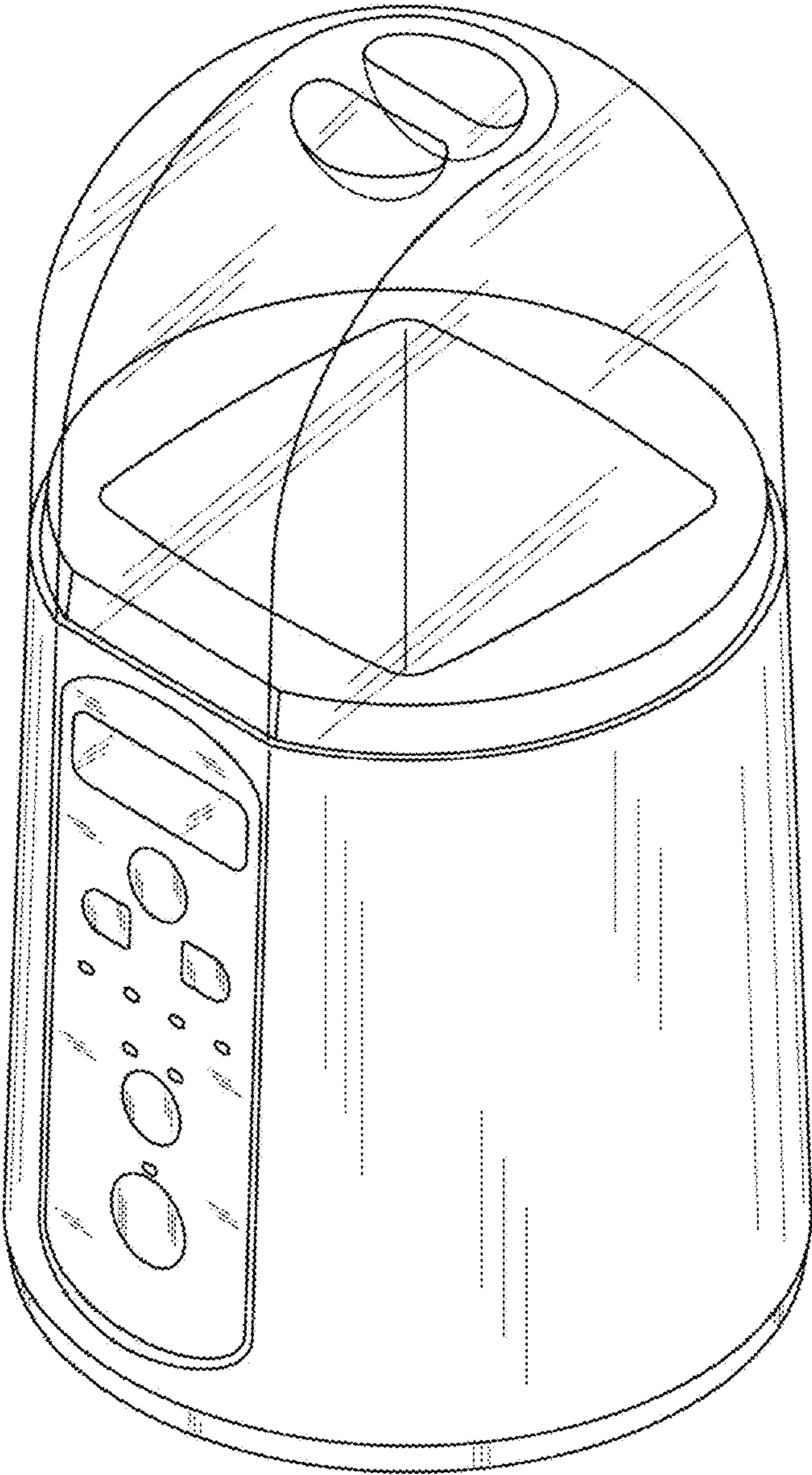


FIG. 2

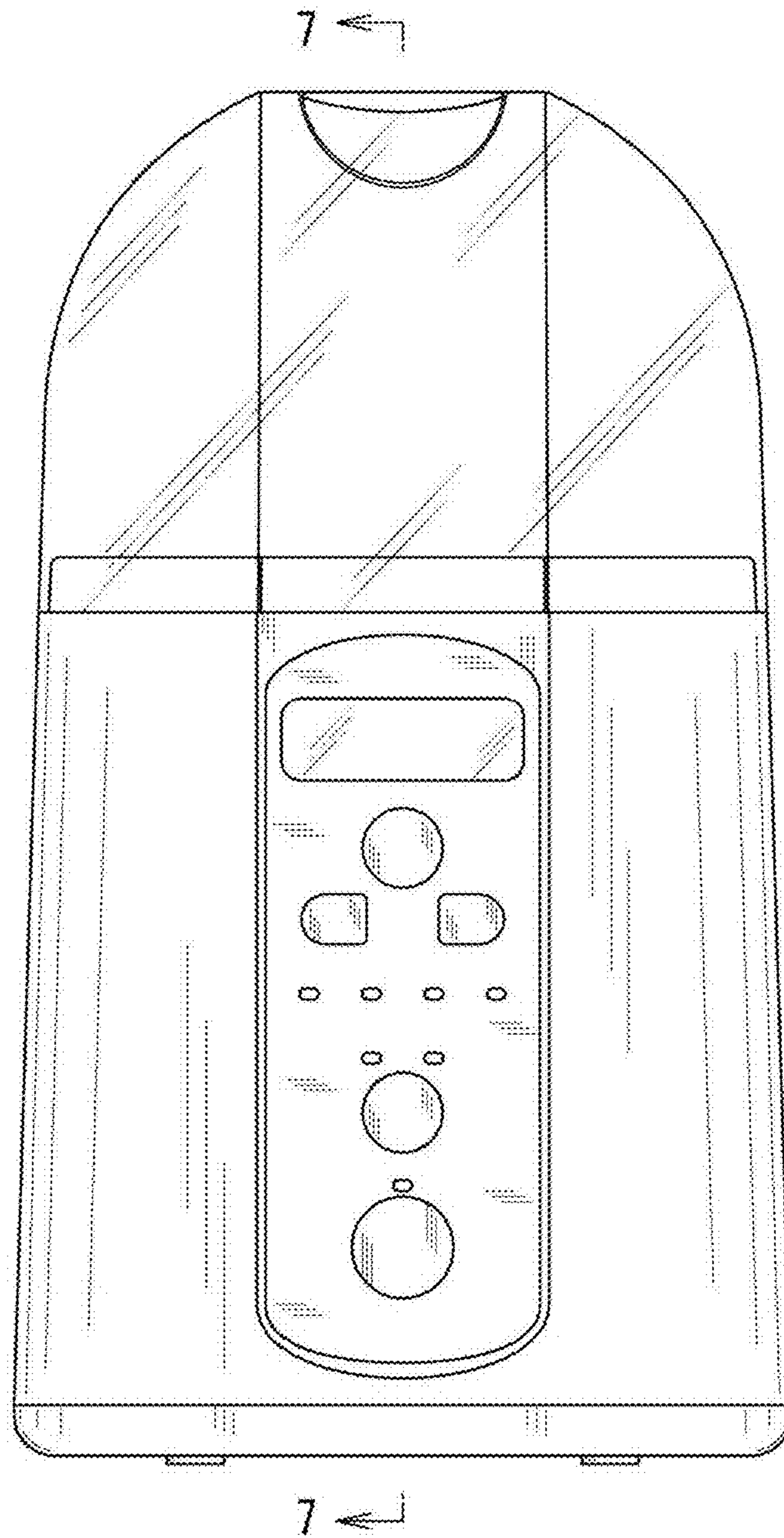


FIG. 3

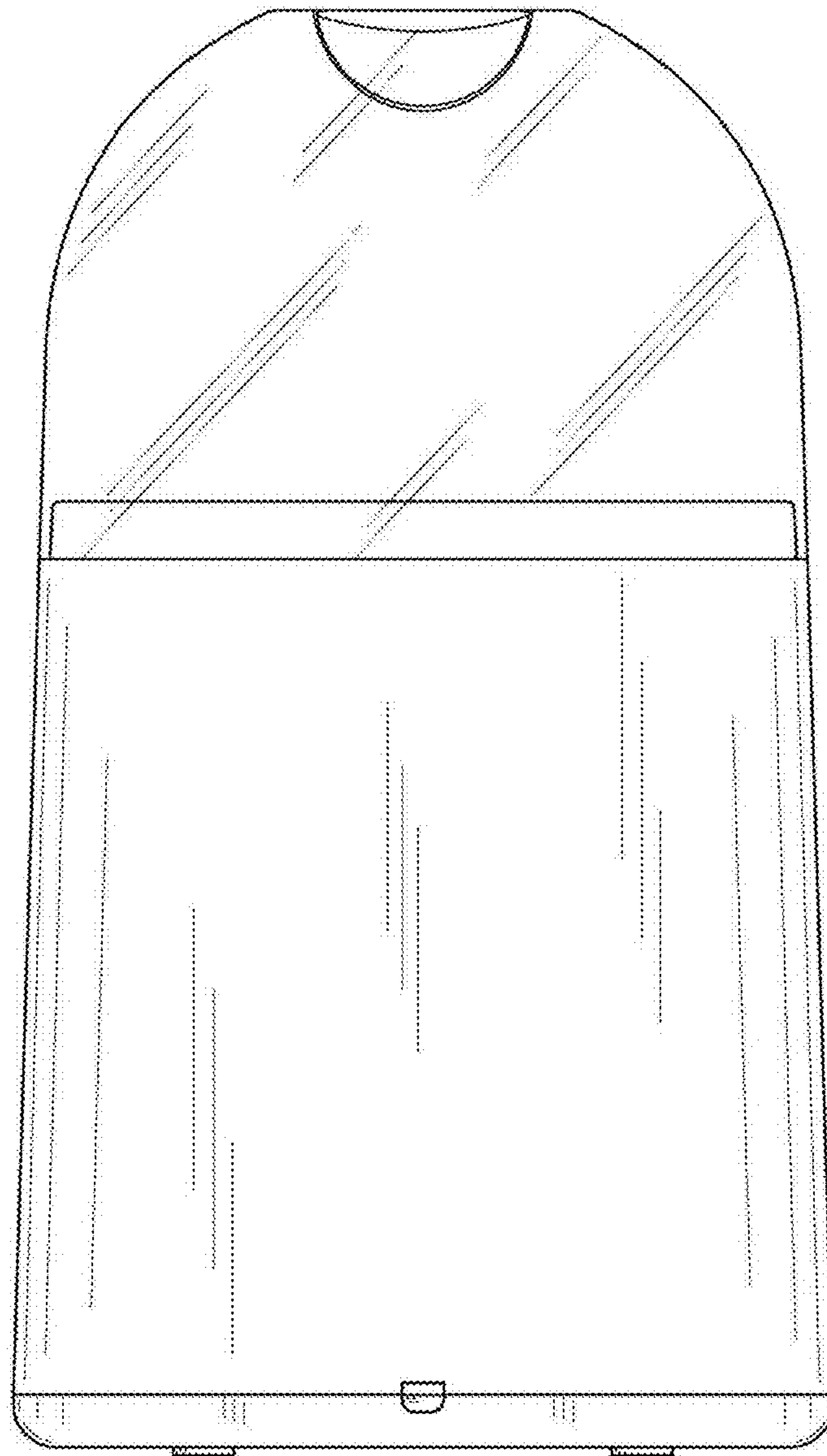


FIG. 4

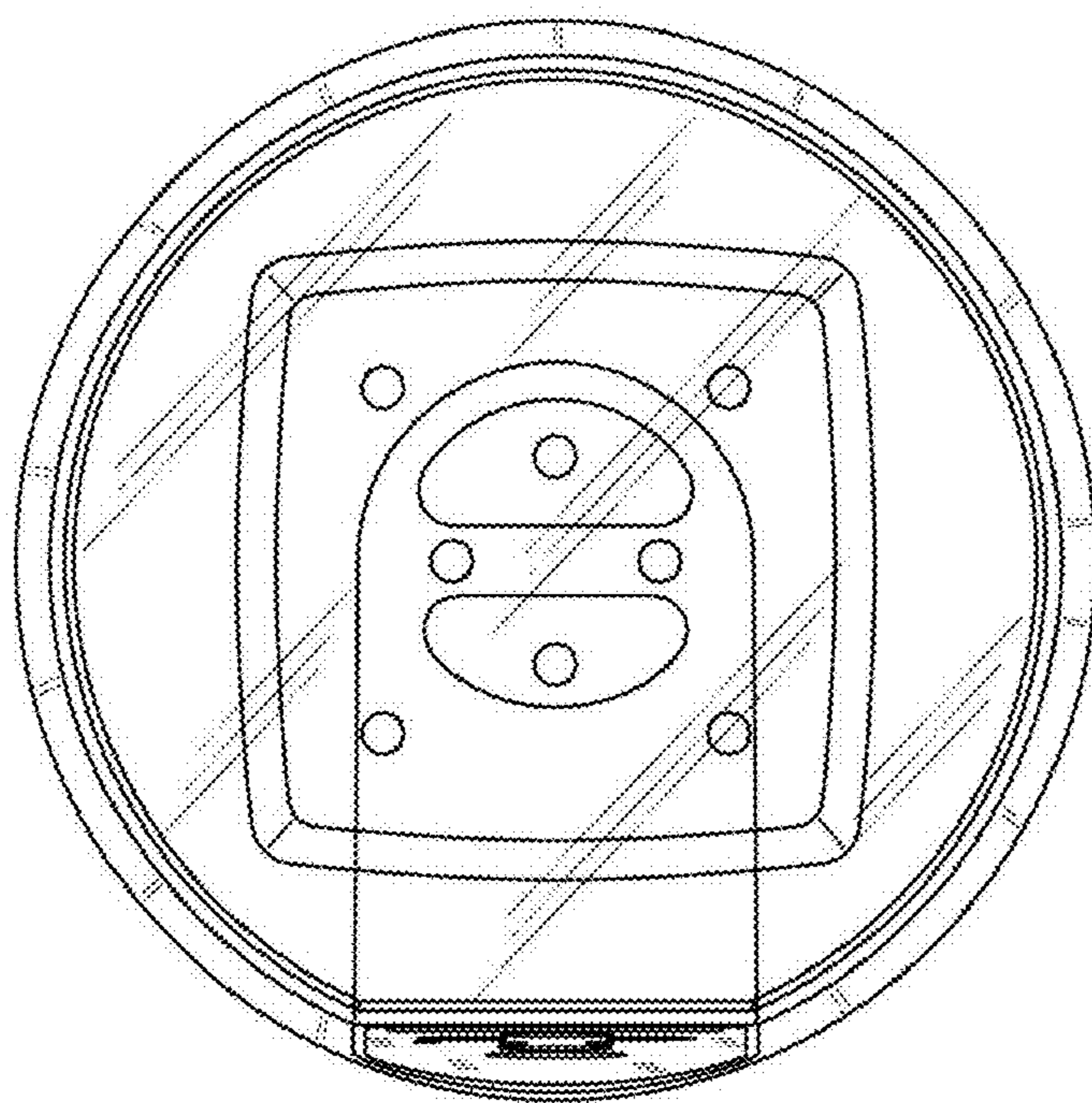


FIG. 5

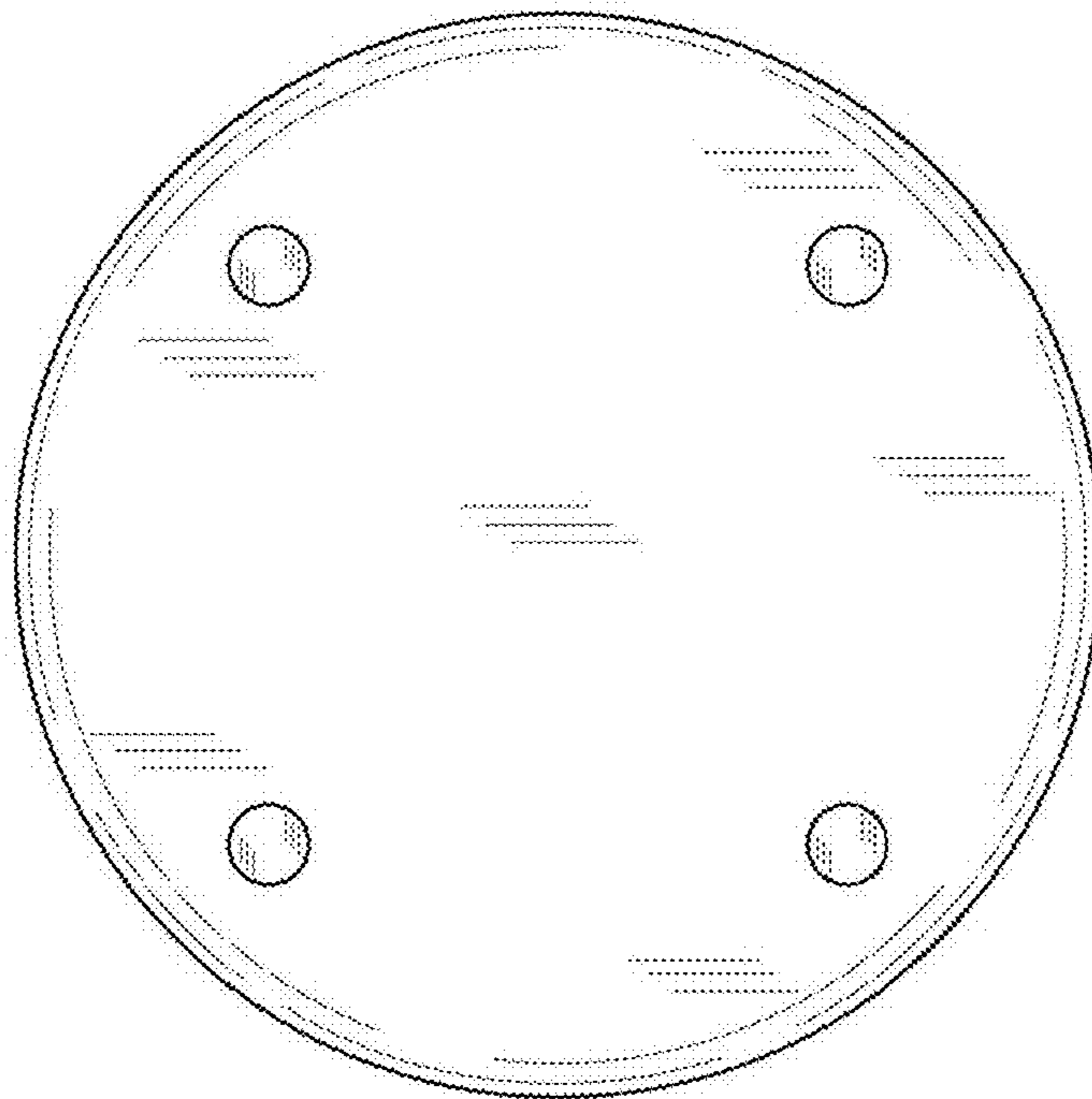


FIG. 6

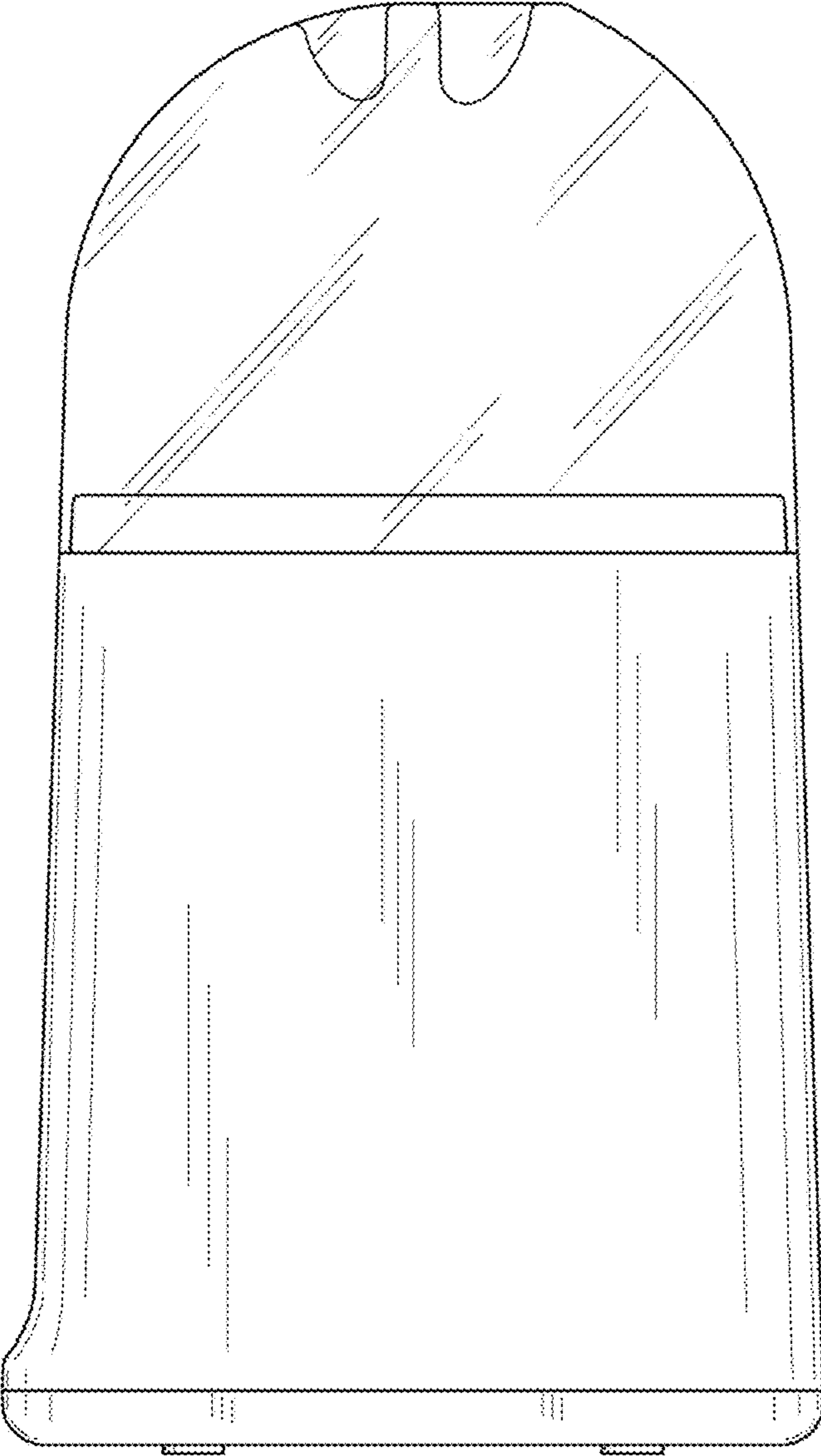


FIG. 7

