

US00D856741S

(12) **United States Design Patent** (10) **Patent No.:** **US D856,741 S**  
**Lee** (45) **Date of Patent:** **\*\* Aug. 20, 2019**

(54) **BIDIRECTIONAL HEATING COOKER**

D653,904 S \* 2/2012 Lee ..... B65D 1/34  
D7/362  
D710,143 S \* 8/2014 Lee ..... D7/362  
D710,144 S \* 8/2014 Lee ..... D7/362  
D830,113 S \* 10/2018 Lee ..... D7/362  
D833,200 S \* 11/2018 Lee ..... D7/352  
D833,803 S \* 11/2018 Lee ..... D7/362

(71) Applicant: **ZAIGLE CO., LTD.**, Seoul (KR)

(72) Inventor: **Jin Hee Lee**, Seoul (KR)

(73) Assignee: **ZAIGLE CO., LTD.**, Seoul (KR)

(\*\*) Term: **15 Years**

(21) Appl. No.: **29/647,625**

(22) Filed: **May 15, 2018**

(30) **Foreign Application Priority Data**

Jan. 8, 2018 (KR) ..... 30-2018-0001187

(51) **LOC (12) Cl.** ..... **07-02**

(52) **U.S. Cl.**  
USPC ..... **D7/362; D7/365**

(58) **Field of Classification Search**  
USPC ..... D7/323, 337, 339, 341, 352, 354-356,  
D7/362-367, 409-411; D9/424, 431, 781  
CPC ..... A21B 1/06; A21B 1/50; A21B 1/52; A47J  
36/04; A47J 37/04; A47J 37/06; A47J  
37/015; A47J 37/067; A47J 37/0611;  
A47J 37/0629; A47J 37/0676; F24C 7/06;  
F24C 7/083; F24C 15/02; F24C 15/166;  
H05B 3/20; H05B 3/40; B65D 1/34  
See application file for complete search history.

(56) **References Cited**

U.S. PATENT DOCUMENTS

3,583,623 A \* 6/1971 Golner ..... B65D 1/34  
220/608  
D458,078 S \* 6/2002 Lin ..... D7/362

\* cited by examiner

*Primary Examiner* — Ricky Pham

(74) *Attorney, Agent, or Firm* — Kile Park Reed & Houtteman PLLC

(57) **CLAIM**

I claim, the ornamental design for a bidirectional heating cooker, as shown and described.

**DESCRIPTION**

FIG. 1 is a top and front perspective view of a bidirectional heating cooker, showing my new design;  
FIG. 2 is a front view thereof;  
FIG. 3 is a rear view thereof;  
FIG. 4 is a left side view thereof;  
FIG. 5 is a right side view thereof;  
FIG. 6 is a top view thereof; and,  
FIG. 7 is a bottom view thereof.

**1 Claim, 7 Drawing Sheets**

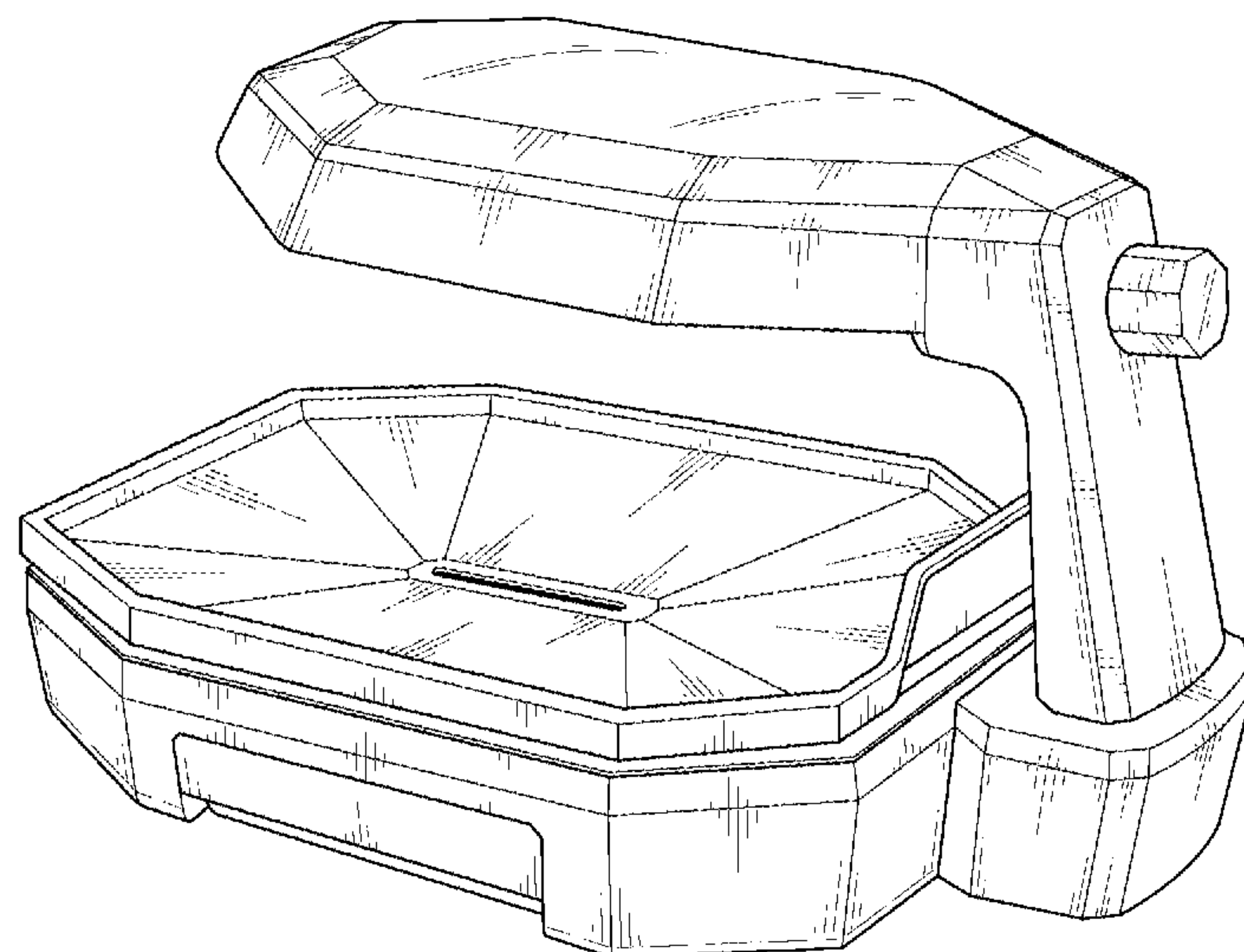


FIG. 1

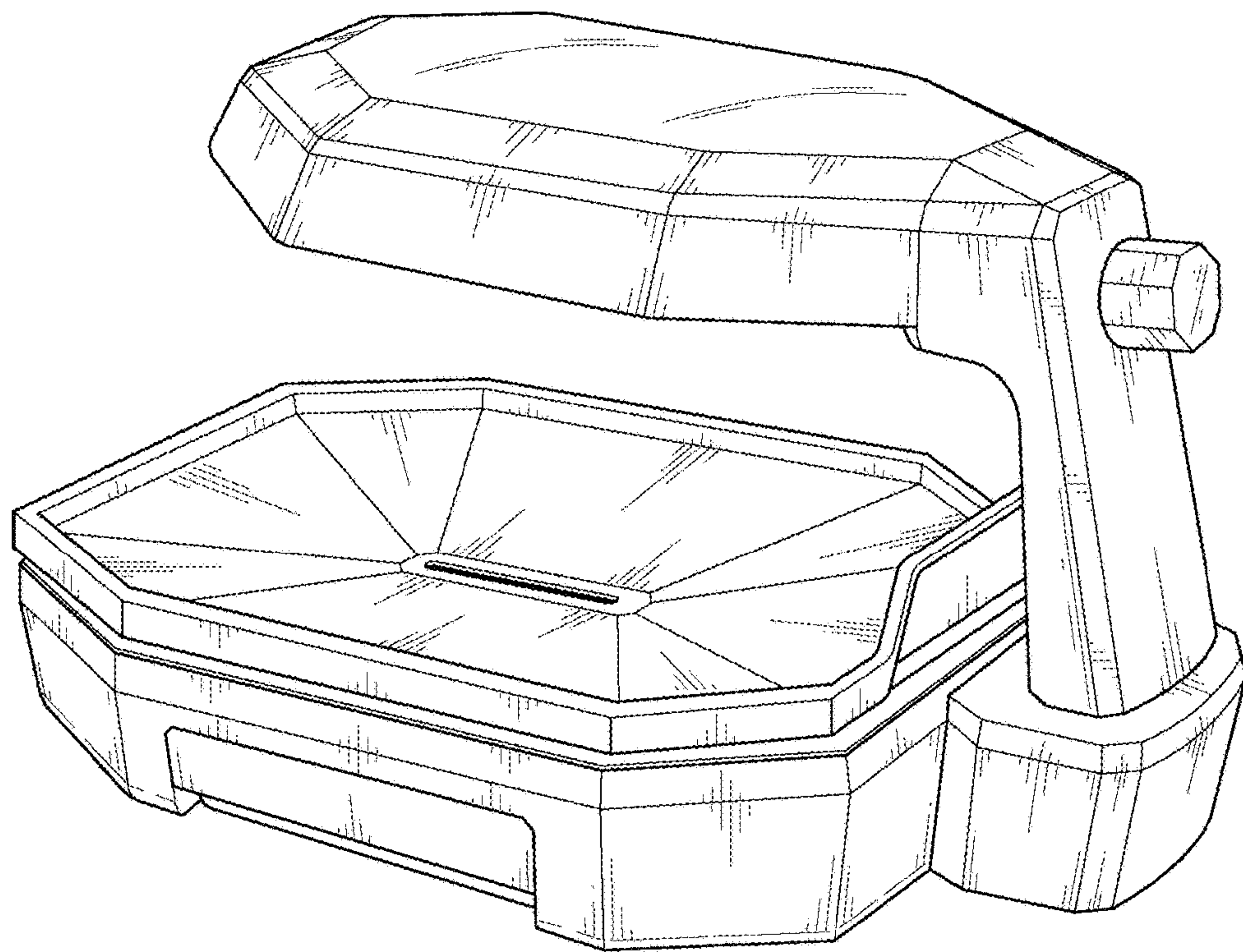


FIG. 2

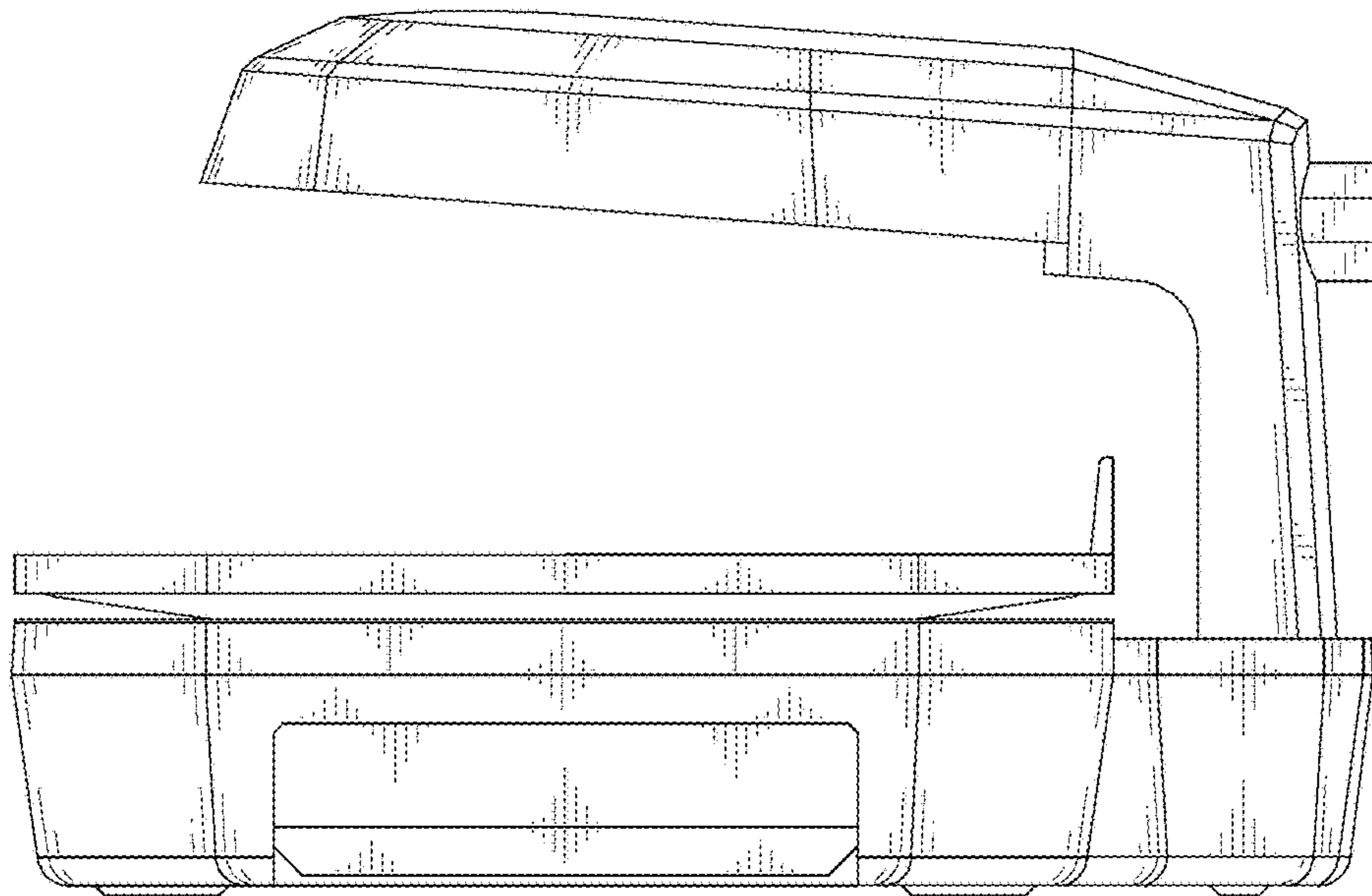


FIG. 3

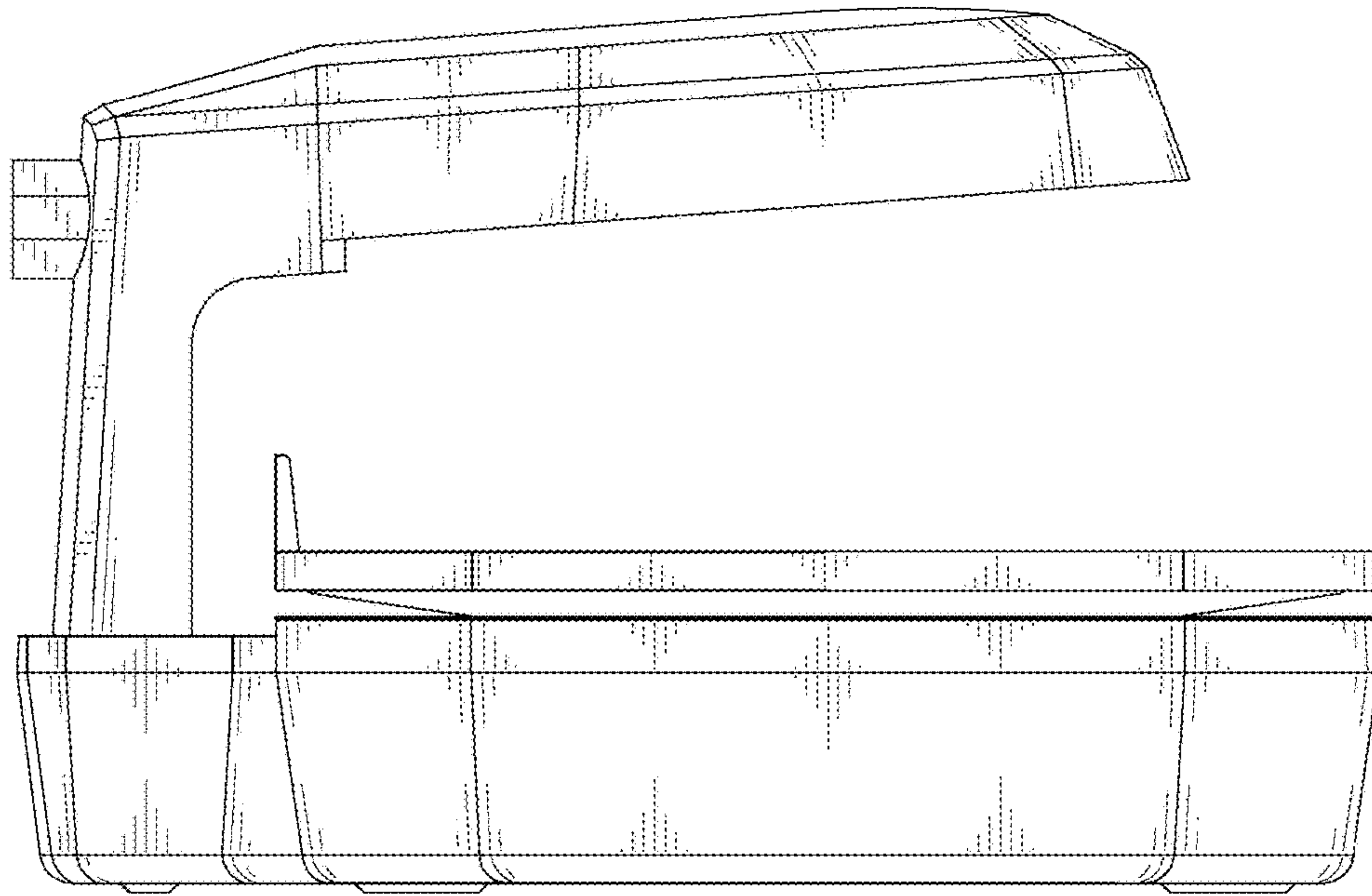


FIG. 4

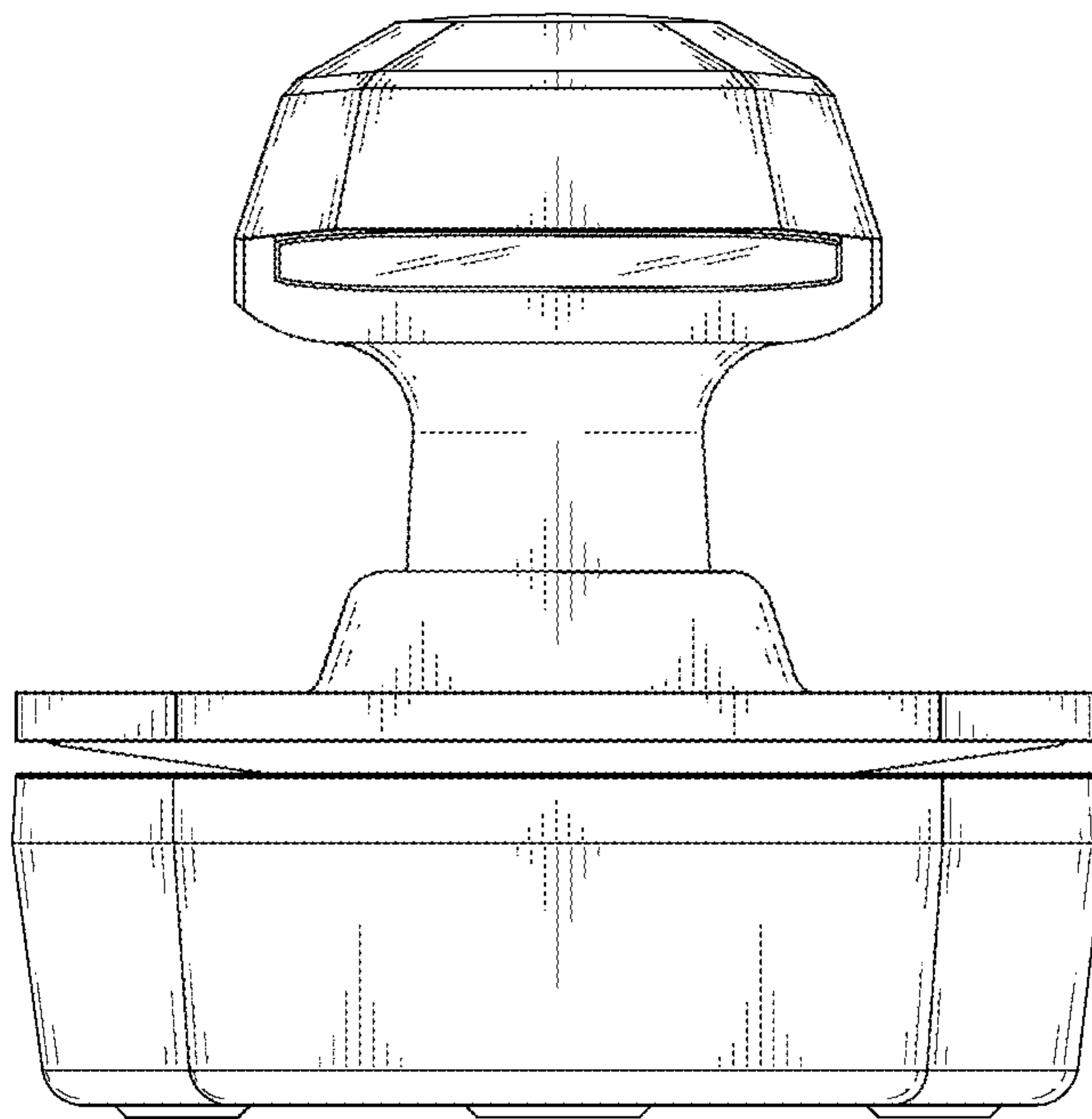


FIG. 5

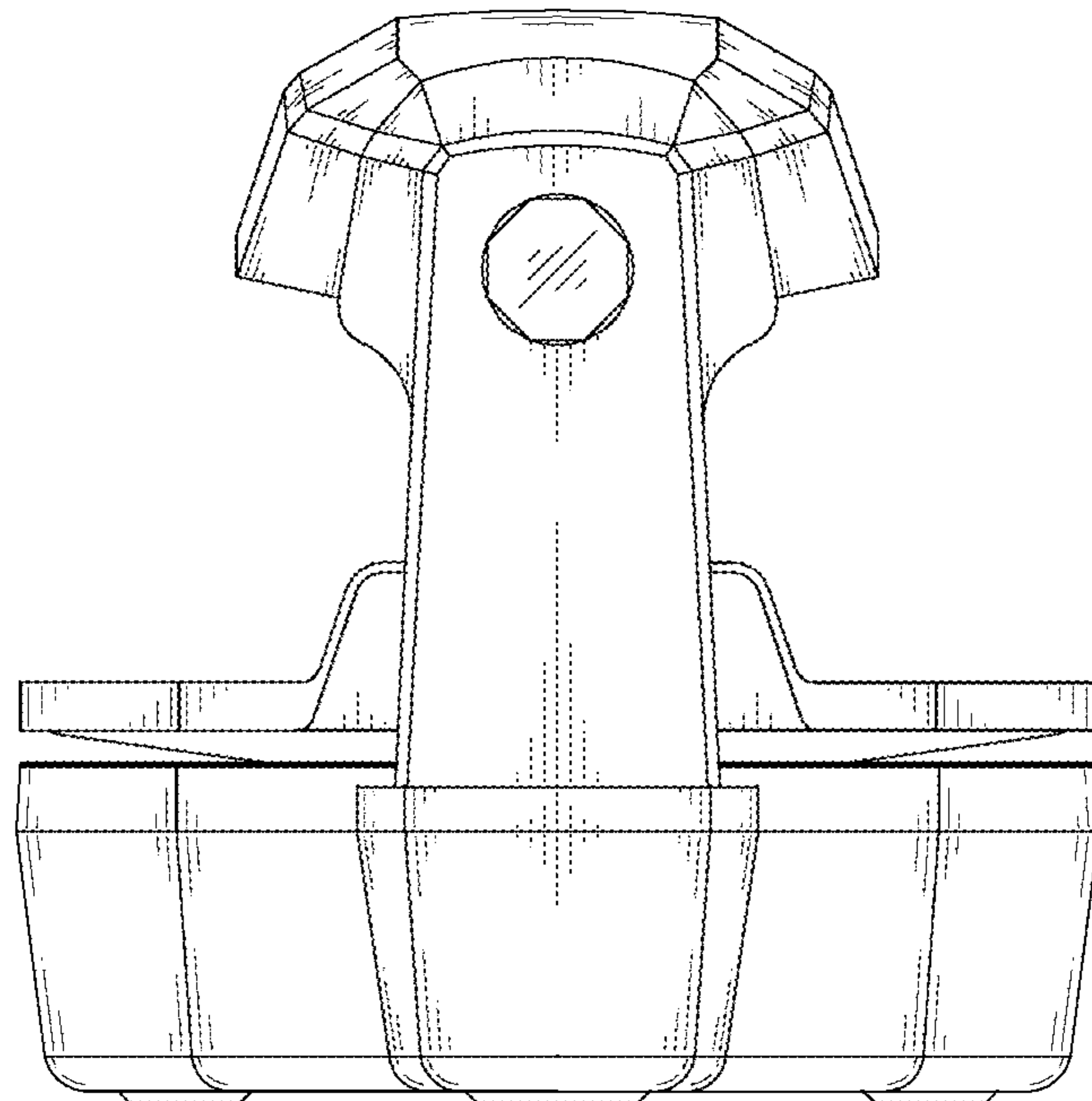




FIG. 6

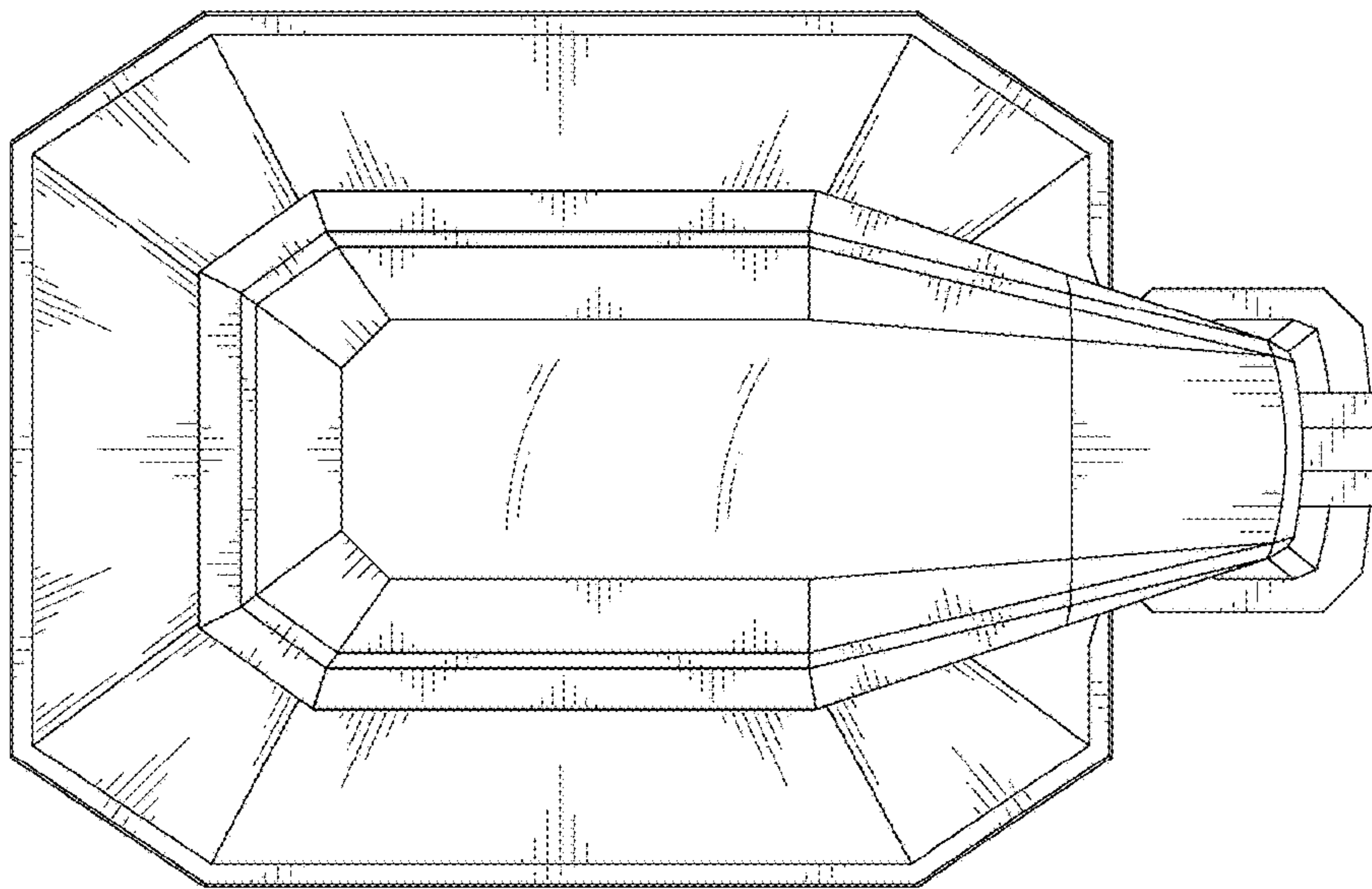


FIG. 7

