



US00D856740S

(12) **United States Design Patent** (10) **Patent No.:** **US D856,740 S**
Lee (45) **Date of Patent:** **** Aug. 20, 2019**

(54) **BIDIRECTIONAL HEATING COOKER**

(71) Applicant: **ZAIGLE CO., LTD.**, Seoul (KR)

(72) Inventor: **Jin Hee Lee**, Seoul (KR)

(73) Assignee: **ZAIGLE CO., LTD.**, Seoul (KR)

(**) Term: **15 Years**

(21) Appl. No.: **29/647,624**

(22) Filed: **May 15, 2018**

(30) **Foreign Application Priority Data**

Nov. 30, 2017 (KR) 30-2017-0056582

(51) **LOC (12) Cl.** **07-02**

(52) **U.S. Cl.**
USPC **D7/362; D7/365**

(58) **Field of Classification Search**
USPC D7/323, 337, 339, 341, 352, 354-356,
D7/362-367, 409-411; D9/424, 431, 781
CPC A21B 1/06; A21B 1/50; A21B 1/52; A47J
36/04; A47J 37/04; A47J 37/06; A47J
37/015; A47J 37/067; A47J 37/0611;
A47J 37/0629; A47J 37/0676; F24C 7/06;
F24C 7/083; F24C 15/02; F24C 15/166;
H05B 3/20; H05B 3/40
See application file for complete search history.

(56) **References Cited**

U.S. PATENT DOCUMENTS

2,336,699 A * 12/1943 Neth A47J 36/04
220/315
D289,844 S * 5/1987 Daenen D7/354

D392,884 S * 3/1998 Hayes D9/431
D562,154 S * 2/2008 Pelletier D9/425
D622,540 S * 8/2010 Sarnoff D7/354
D623,008 S * 9/2010 Sarnoff D7/354
D692,296 S * 10/2013 Cooper D9/424
D710,143 S * 8/2014 Lee D7/362
D826,627 S * 8/2018 Lee D7/362
D827,361 S * 9/2018 Lee A47J 36/04
D7/356
D833,200 S * 11/2018 Lee D7/352
D833,201 S * 11/2018 Lee D7/352
D833,206 S * 11/2018 Lee D7/362

* cited by examiner

Primary Examiner — Ricky Pham

(74) *Attorney, Agent, or Firm* — Kile Park Reed
Houtteman PLLC

(57) **CLAIM**

I claim, the ornamental design for a bidirectional heating cooker, as shown and described.

DESCRIPTION

FIG. 1 is a top and front perspective view of a bidirectional heating cooker, showing my new design;
FIG. 2 is a front view thereof;
FIG. 3 is a rear view thereof;
FIG. 4 is a left side view thereof;
FIG. 5 is a right side view thereof;
FIG. 6 is a top view thereof;
FIG. 7 is a bottom view thereof;
FIG. 8 is an enlarged detail view of a portion taken from reference "8" on FIG. 2; and,
FIG. 9 is an enlarged detail view of a portion taken from reference "9" on FIG. 4.

1 Claim, 9 Drawing Sheets

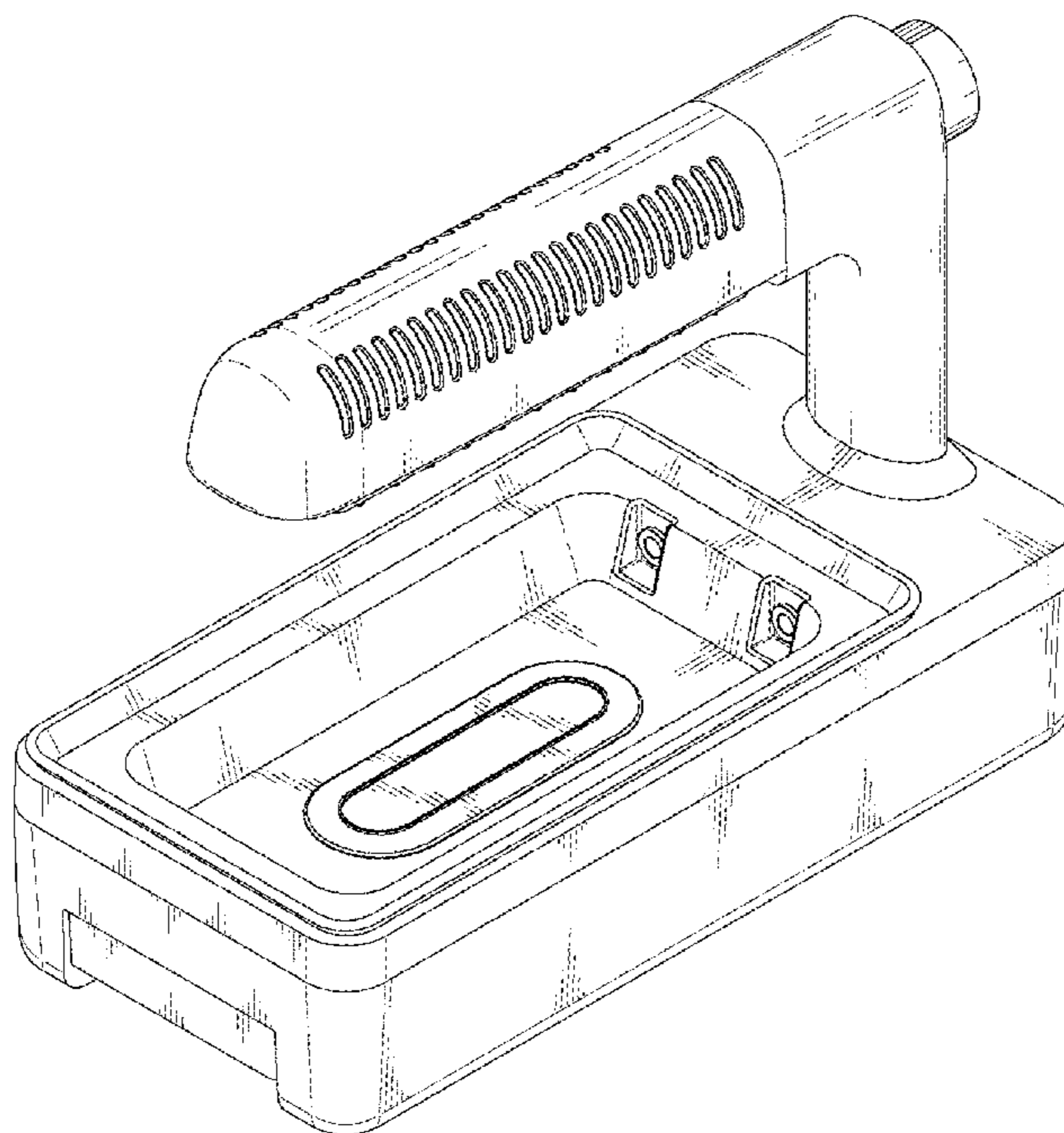


FIG. 1

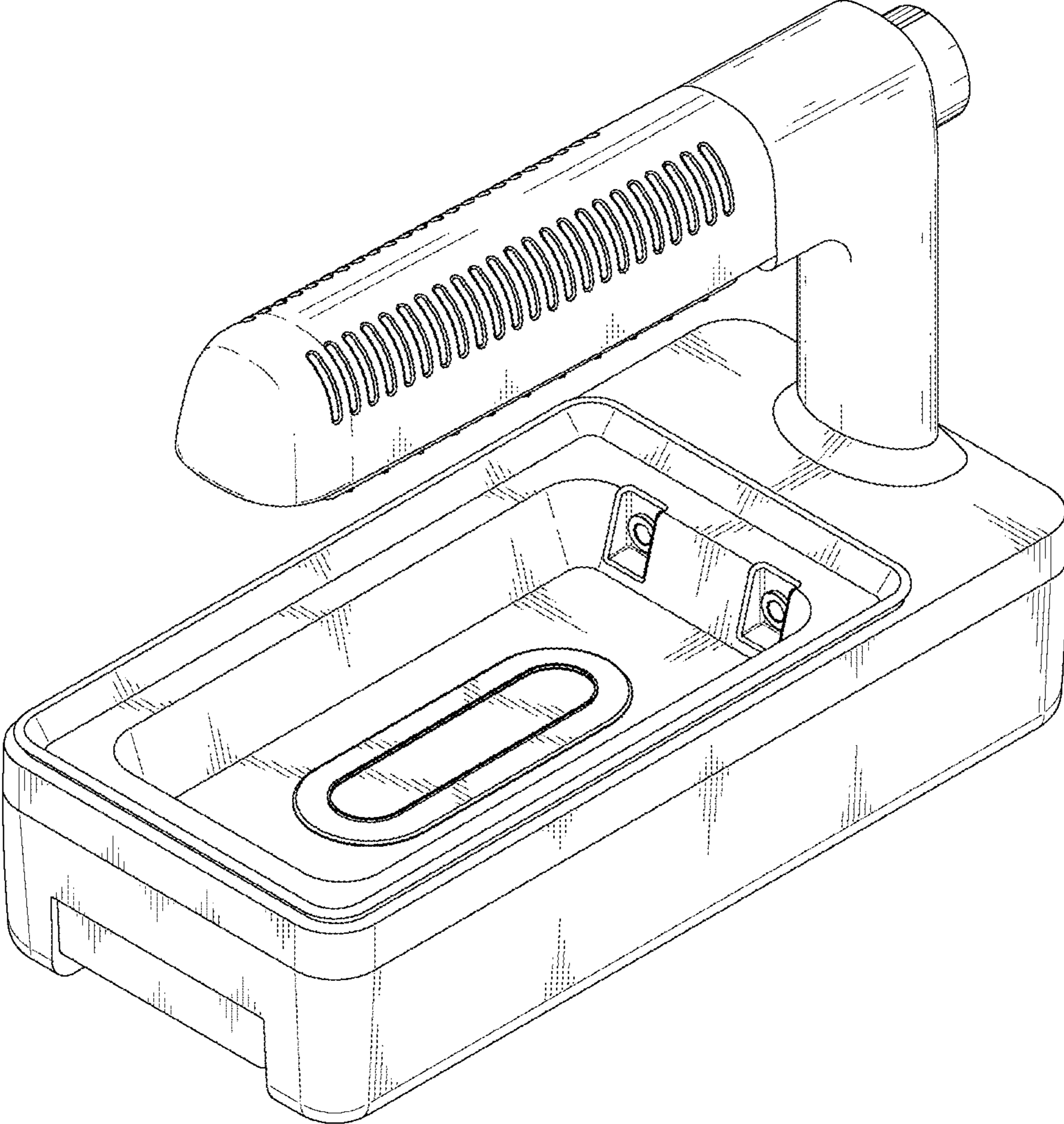


FIG. 2

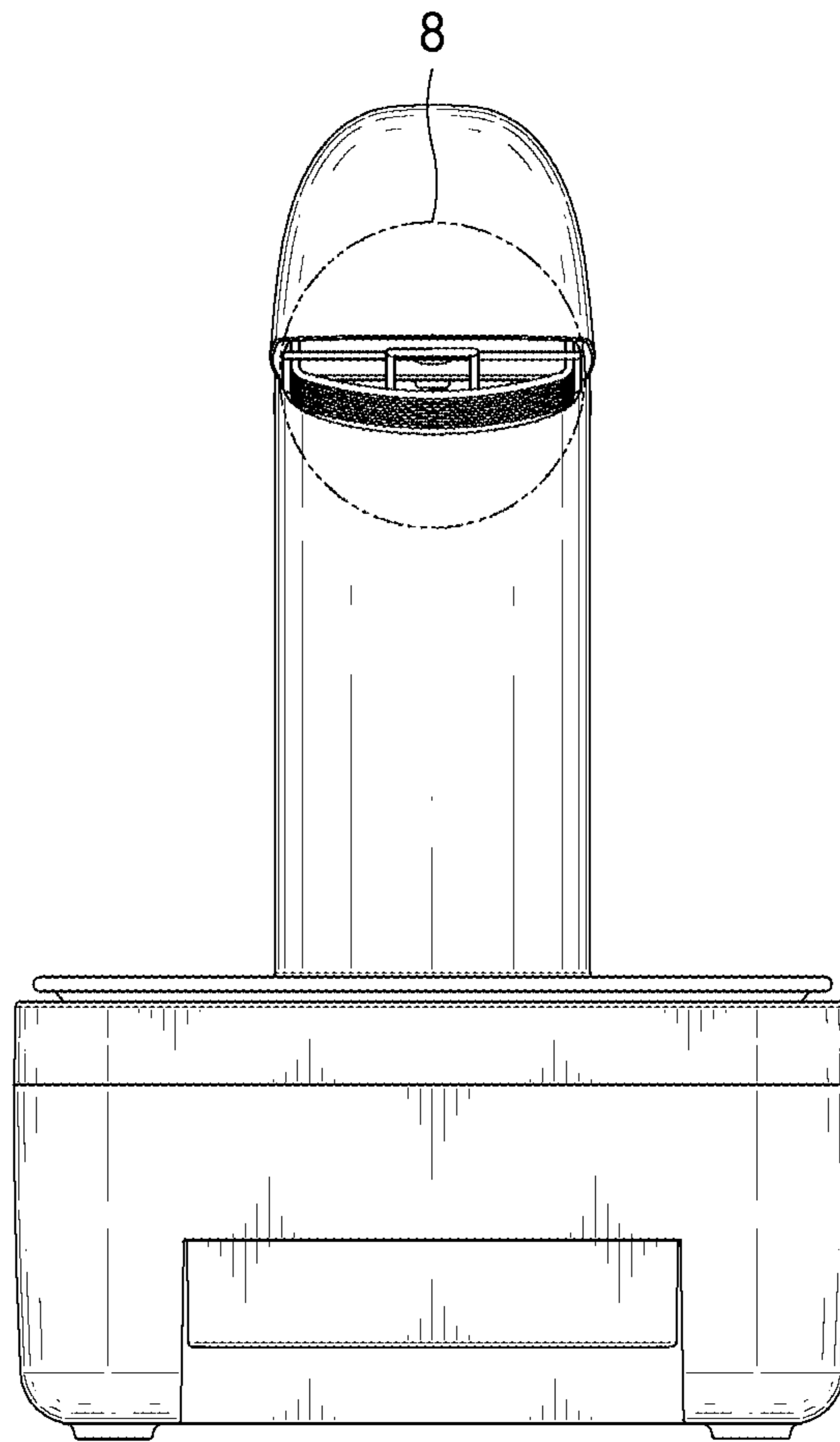


FIG. 3

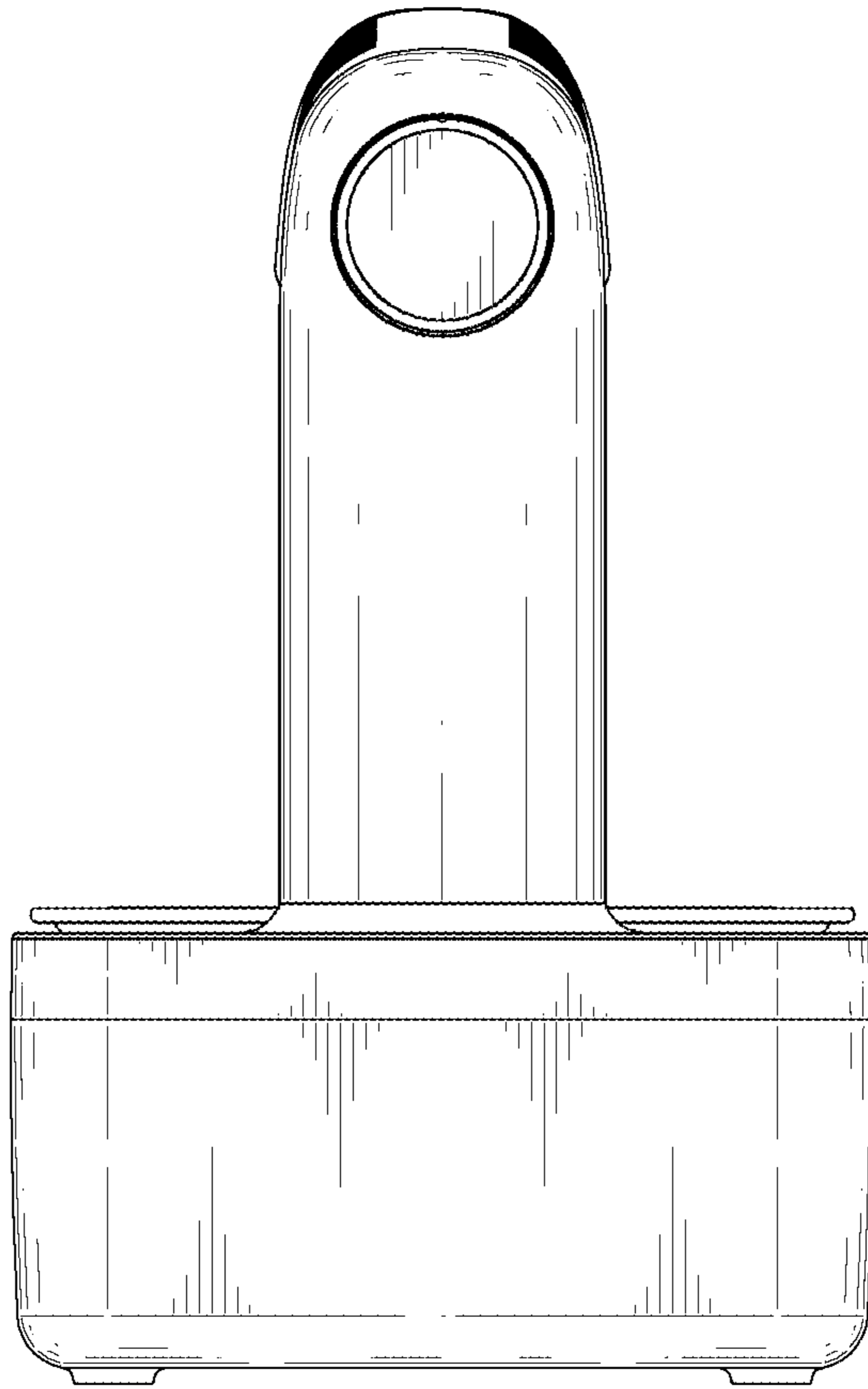


FIG. 4

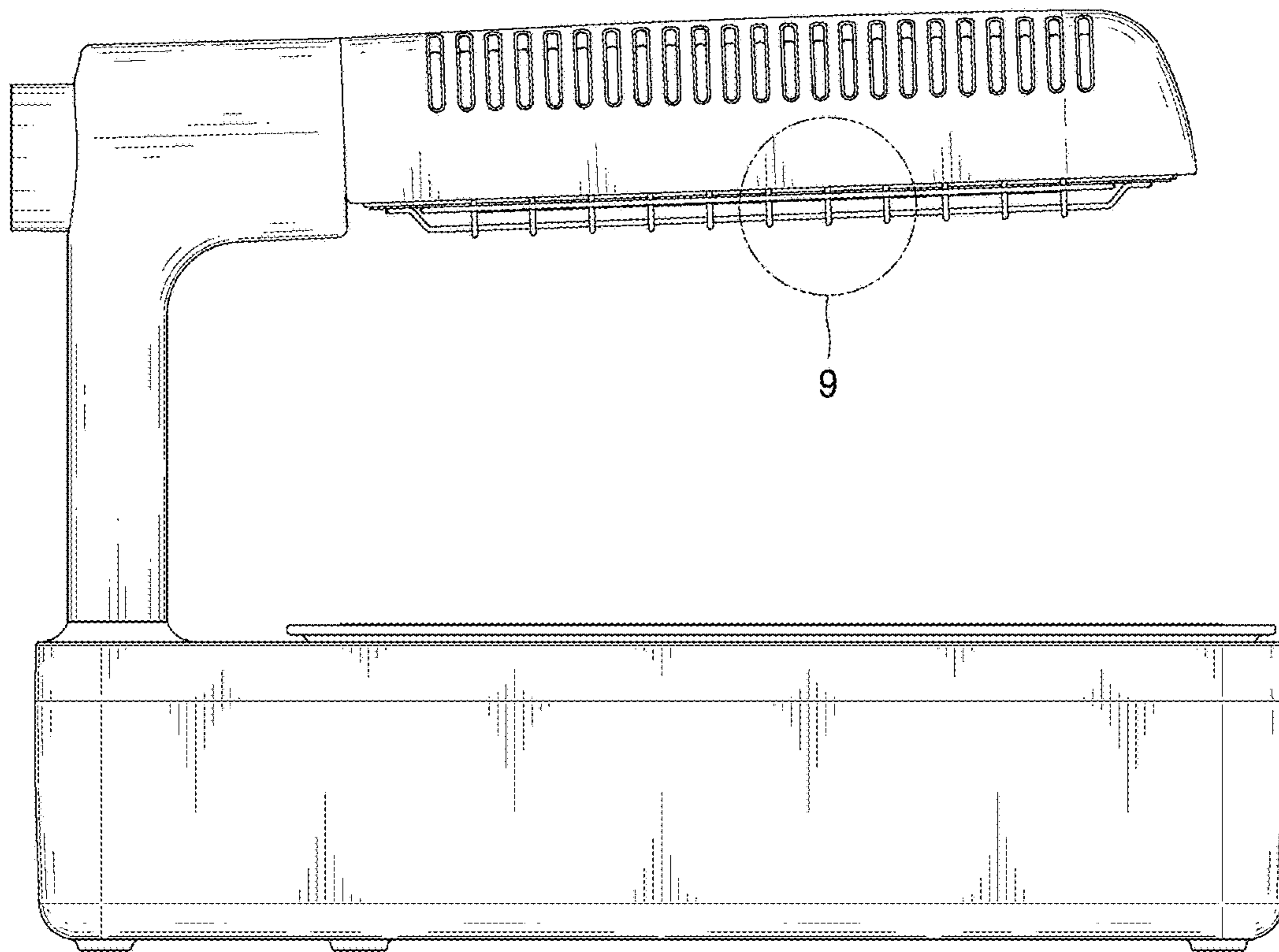


FIG. 5

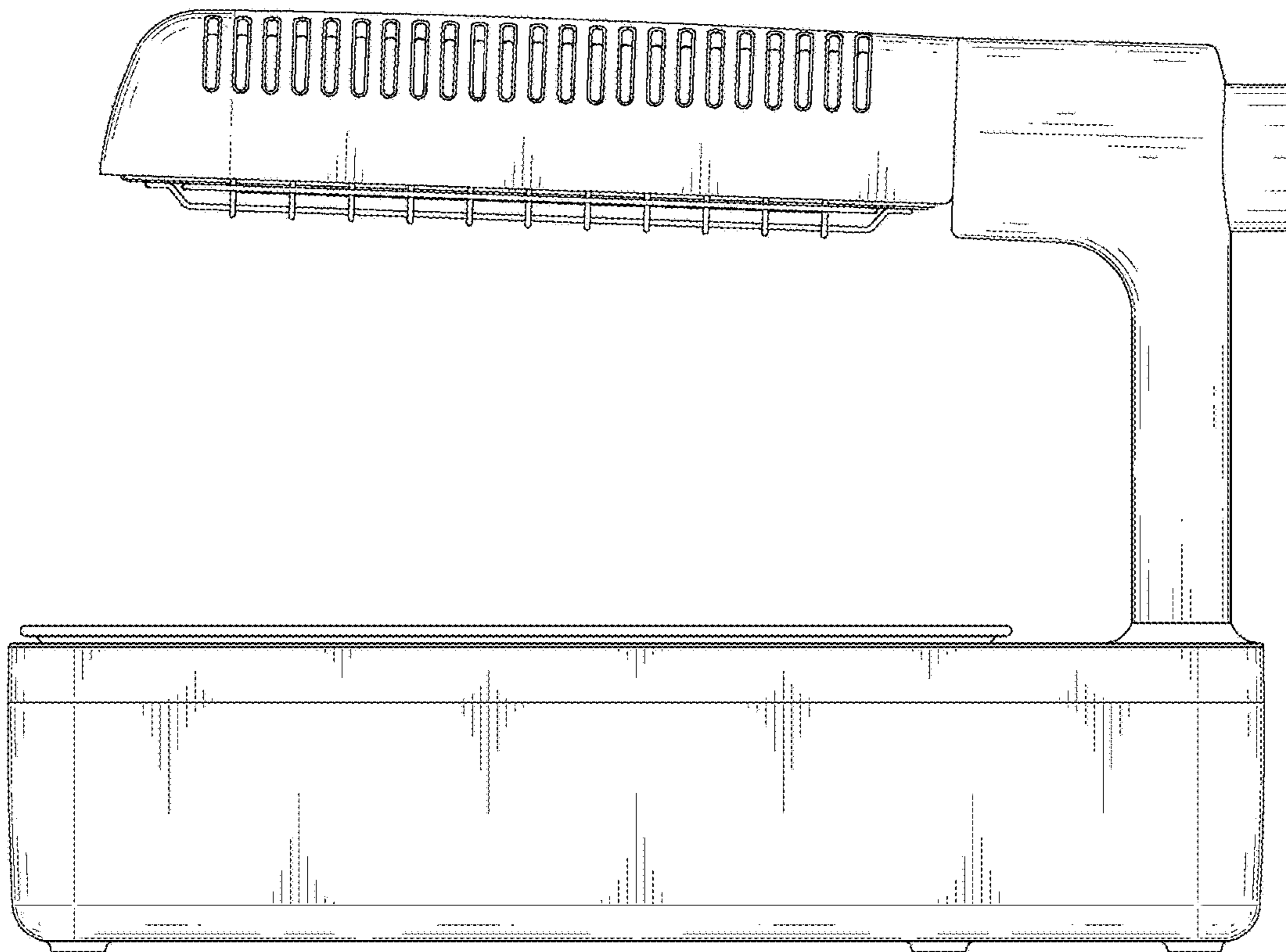


FIG. 6

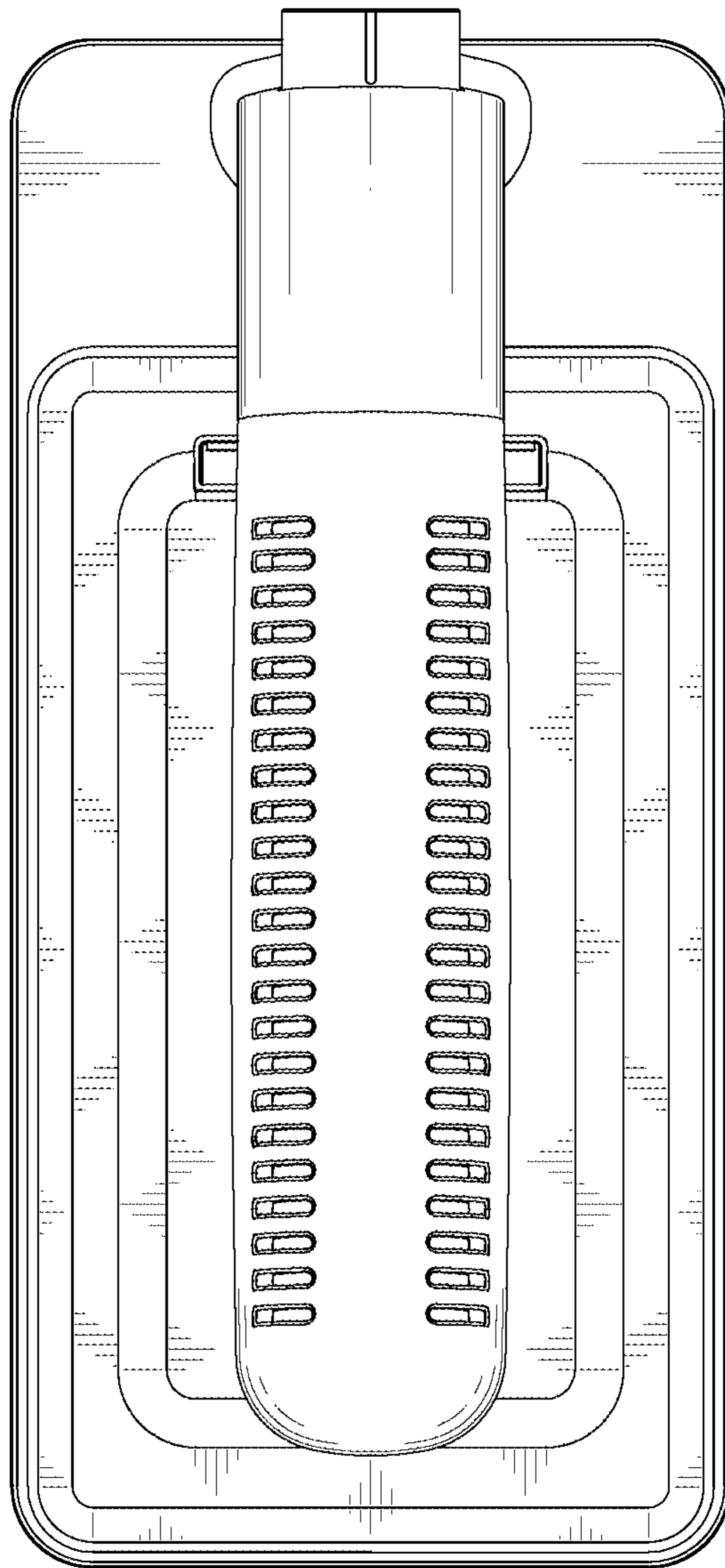


FIG. 7

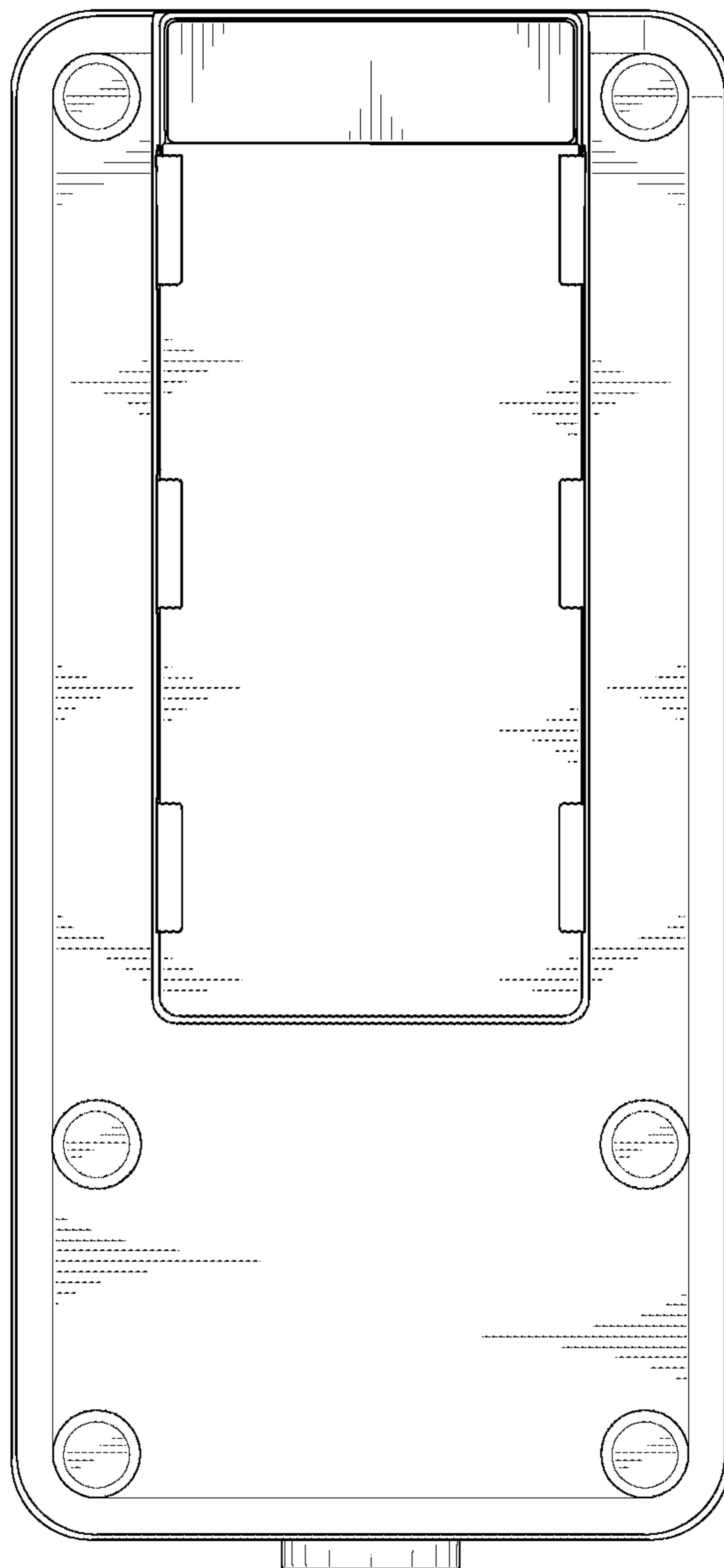


FIG. 8

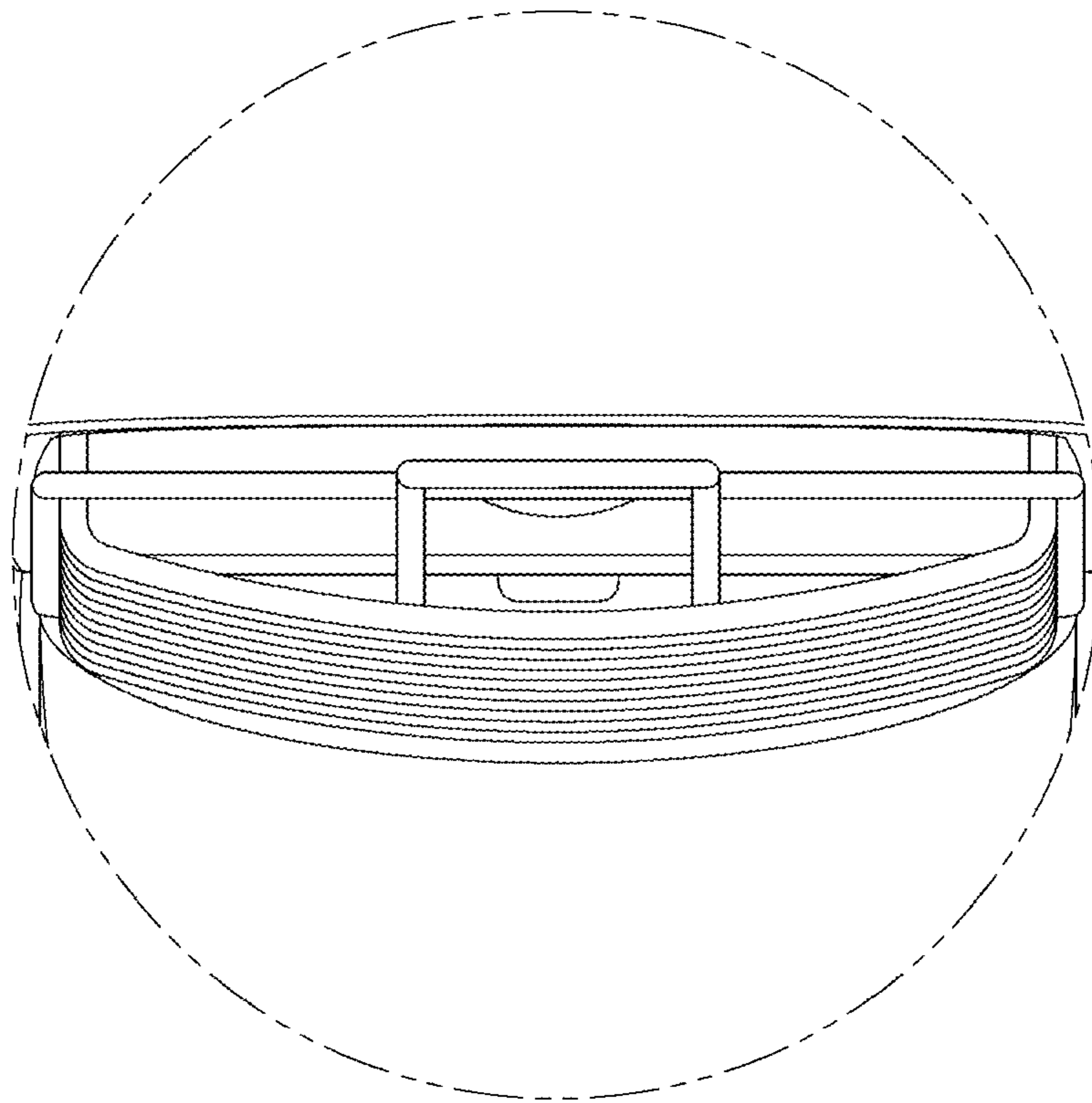


FIG. 9

