



US00D856738S

(12) **United States Design Patent**
Mishan et al.

(10) **Patent No.:** **US D856,738 S**

(45) **Date of Patent:** **** Aug. 20, 2019**

(54) **ELECTRIC HAMBURGER GRILL**

(71) Applicant: **E. MISHAN & SONS, INC.**, New York, NY (US)

(72) Inventors: **Steven Mishan**, New York, NY (US);
Rishi Mahtani, Kowloon (HK)

(73) Assignee: **E. MISHAN & SONS, INC.**, New York, NY (US)

(**) Term: **15 Years**

(21) Appl. No.: **29/627,375**

(22) Filed: **Nov. 27, 2017**

(51) **LOC (12) Cl.** **07-02**

(52) **U.S. Cl.**
USPC **D7/352**

(58) **Field of Classification Search**
USPC D7/332-337, 352-356, 358, 362-364,
D7/366; 126/25 R
CPC A47J 33/00; A47J 37/07; A47J 37/0704;
A47J 37/0713; A47J 37/0763; A47J
37/0786; A47J 2037/0777; A47J 37/0611;
A47J 37/067-0682; F24C 3/14; F24B
1/202
See application file for complete search history.

(56) **References Cited**

U.S. PATENT DOCUMENTS

D299,609 S * 1/1989 Madl D7/352
6,016,741 A * 1/2000 Tsai A47J 37/0611
99/341

D435,755 S * 1/2001 Deni D7/352
D463,950 S * 10/2002 Wu D7/352
D464,230 S * 10/2002 Wu D7/352
D592,005 S * 5/2009 Richardson D7/337
D625,140 S * 10/2010 Tse D7/352
D697,364 S * 1/2014 Melocchi D7/352
D749,887 S * 2/2016 Chang D7/352
D802,985 S * 11/2017 Jozancy D7/352
D807,108 S * 1/2018 Borovicka D7/362
2002/0153366 A1 * 10/2002 Glucksman A47J 37/0611
219/450.1
2017/0181573 A1 * 6/2017 Altenritter A47J 37/0611

* cited by examiner

Primary Examiner — Brett Miller

(74) *Attorney, Agent, or Firm* — Notaro, Michalos & Zaccaria P.C.

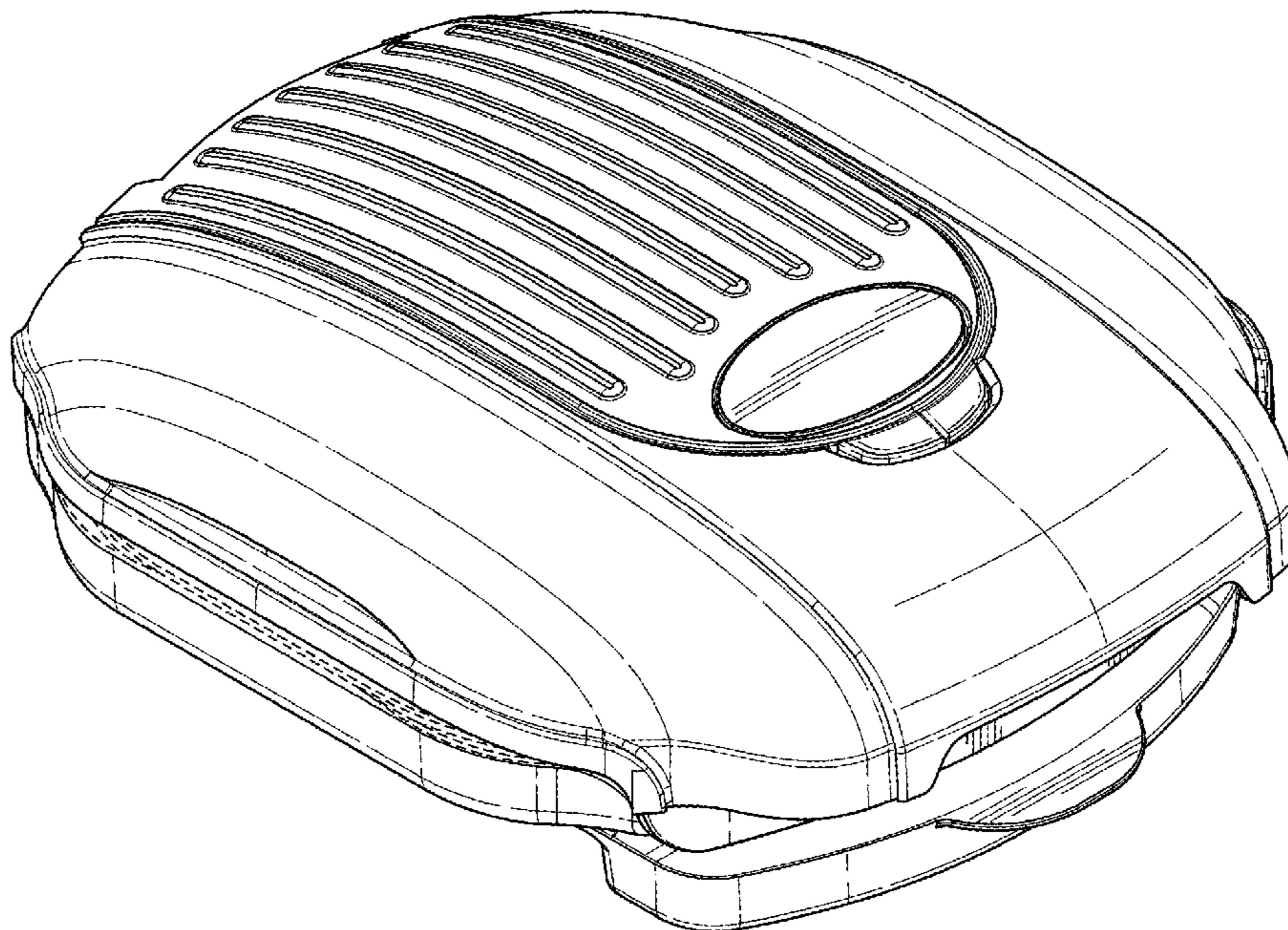
(57) **CLAIM**

The ornamental design for an electric hamburger grill, as shown and described.

DESCRIPTION

FIG. 1 is a perspective view of an electric hamburger grill showing my design therefor;
FIG. 2 is a front elevational view thereof;
FIG. 3 is a rear elevational view thereof;
FIG. 4 is a side elevational view;
FIG. 5 is a top plan view thereof; and,
FIG. 6 is a bottom plan view thereof.
The broken lines depict portions of the grill that form no part of the claimed design.

1 Claim, 6 Drawing Sheets



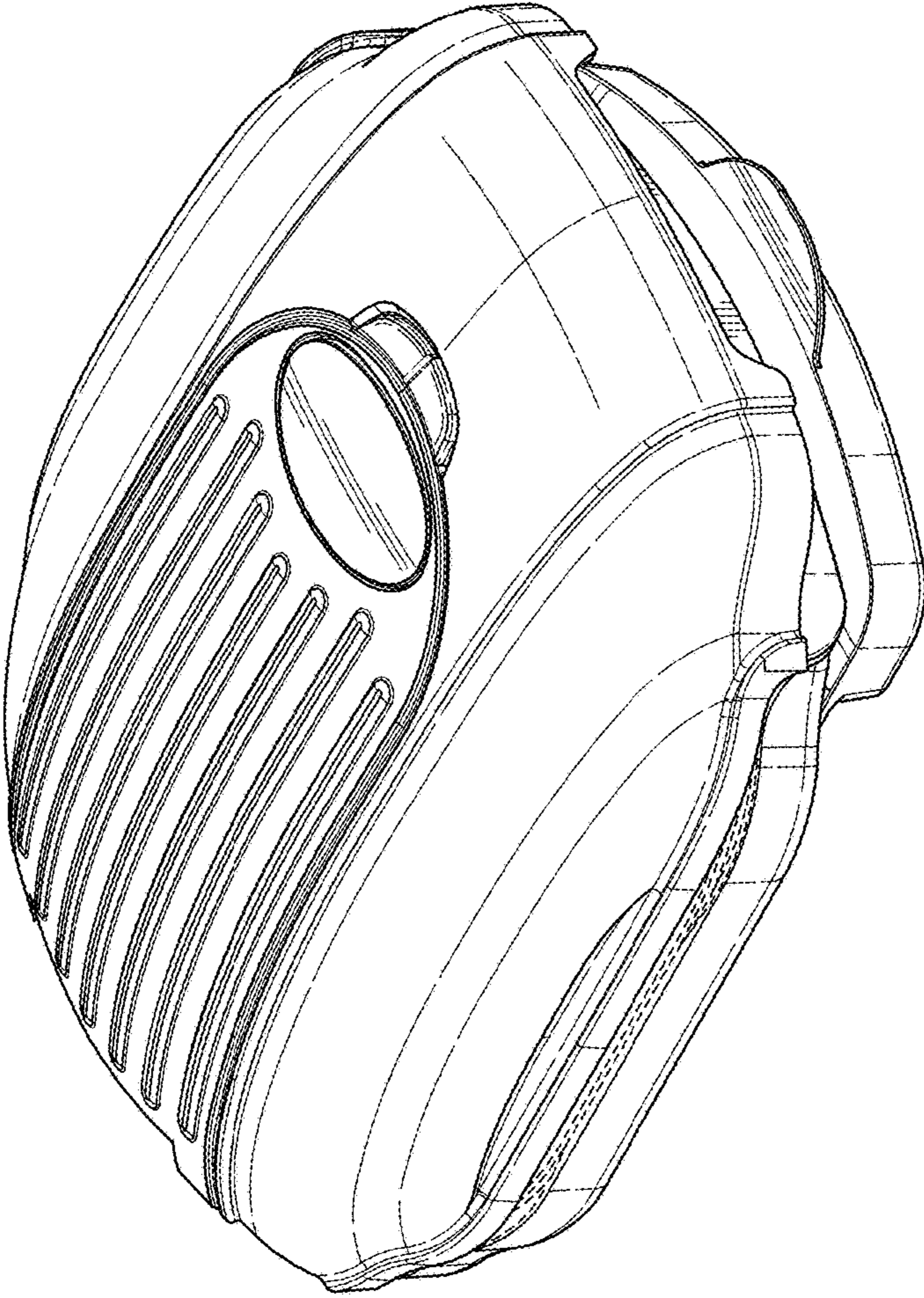


FIG. 1

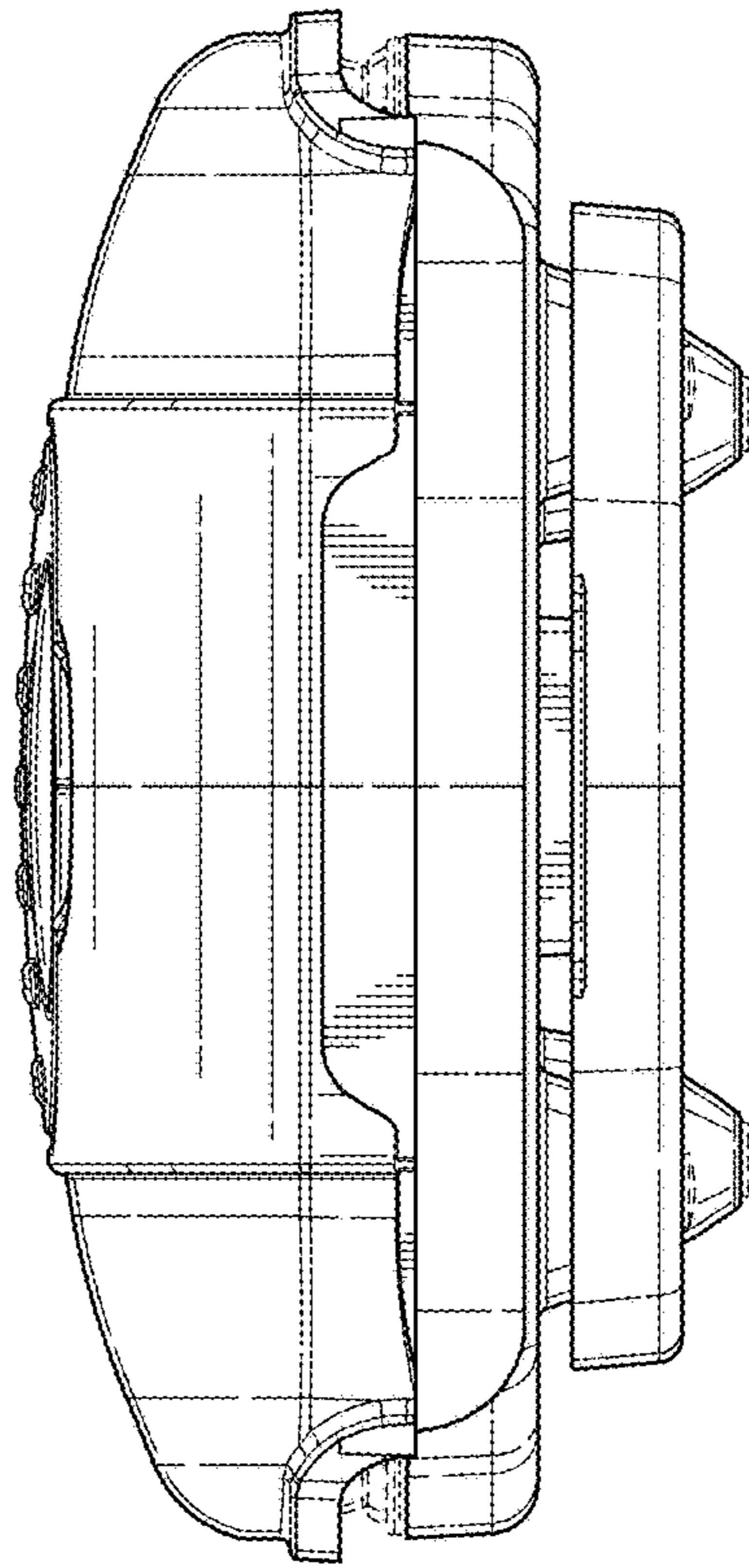


FIG. 2

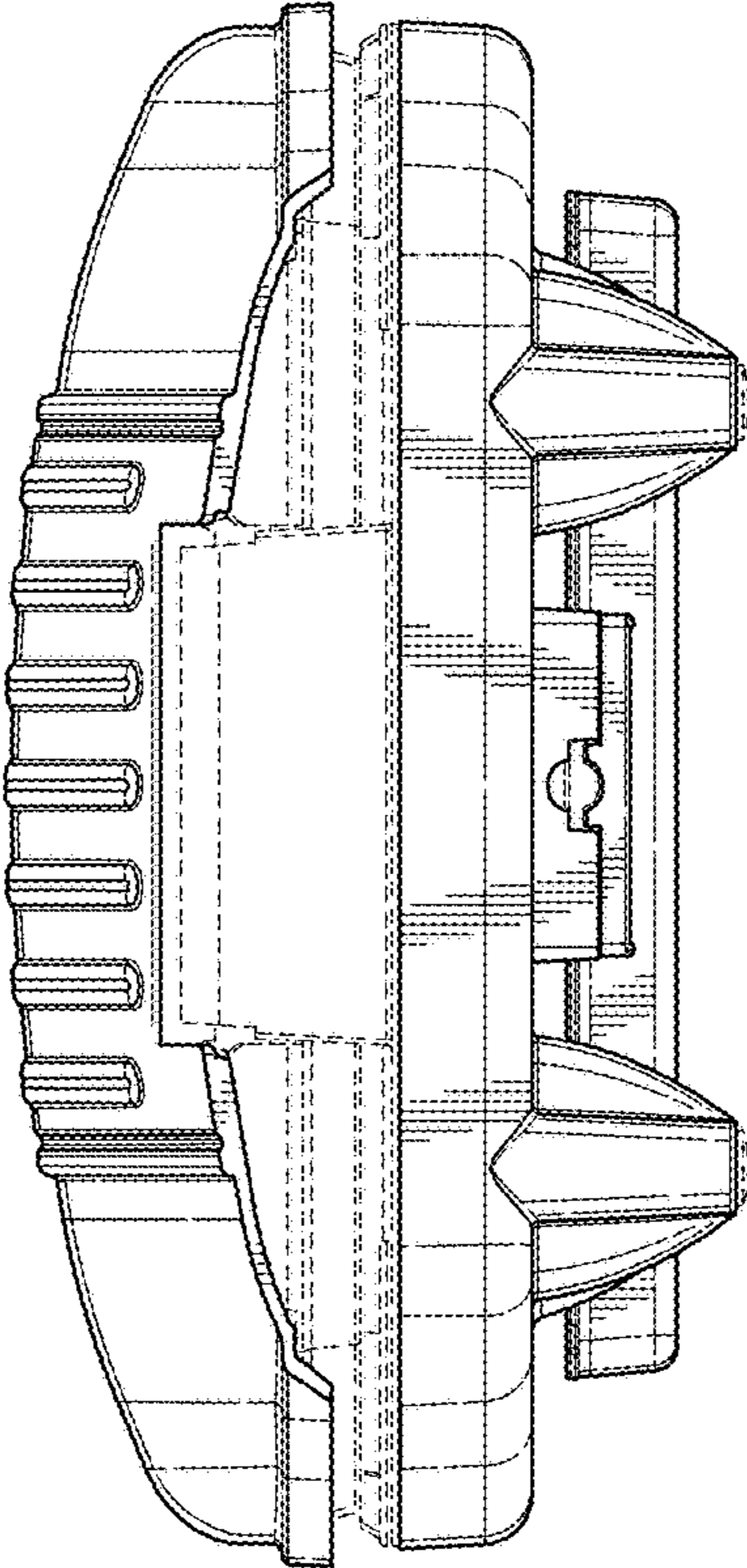


FIG. 3

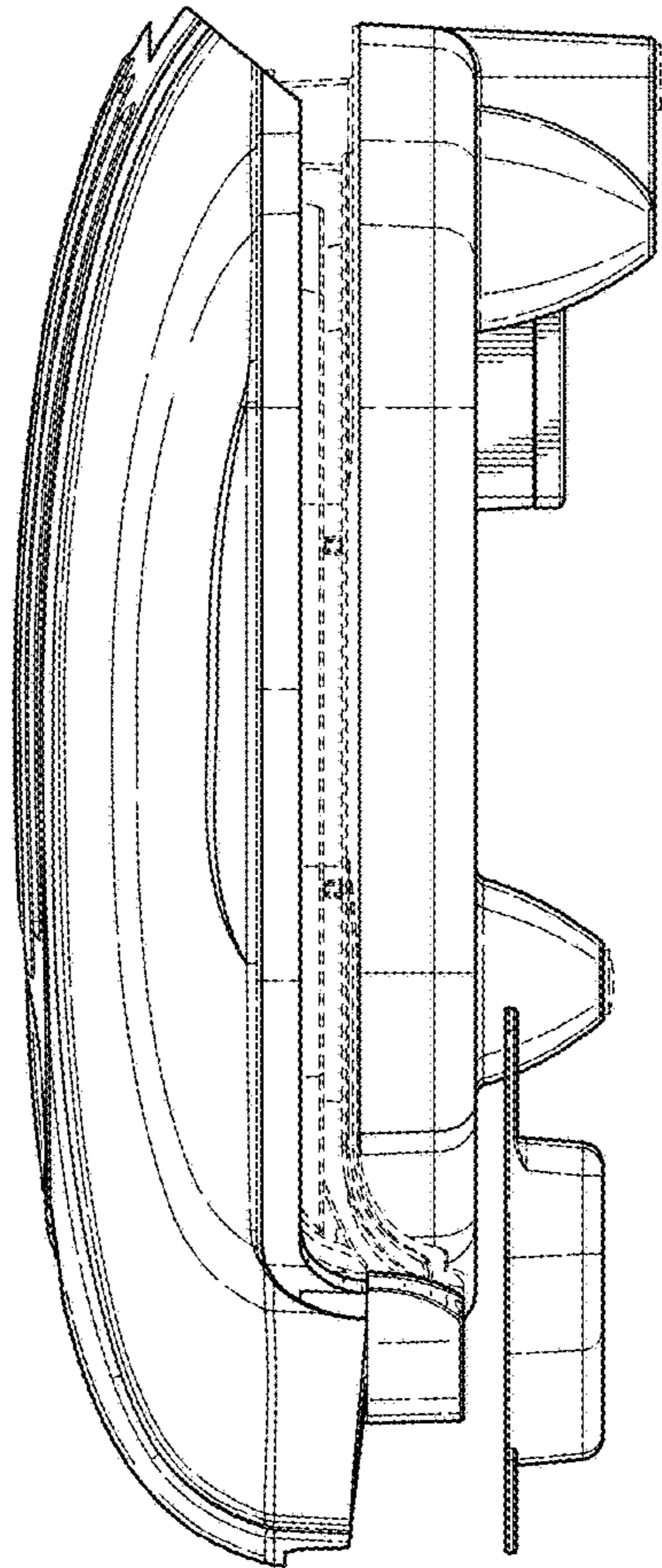


FIG. 4

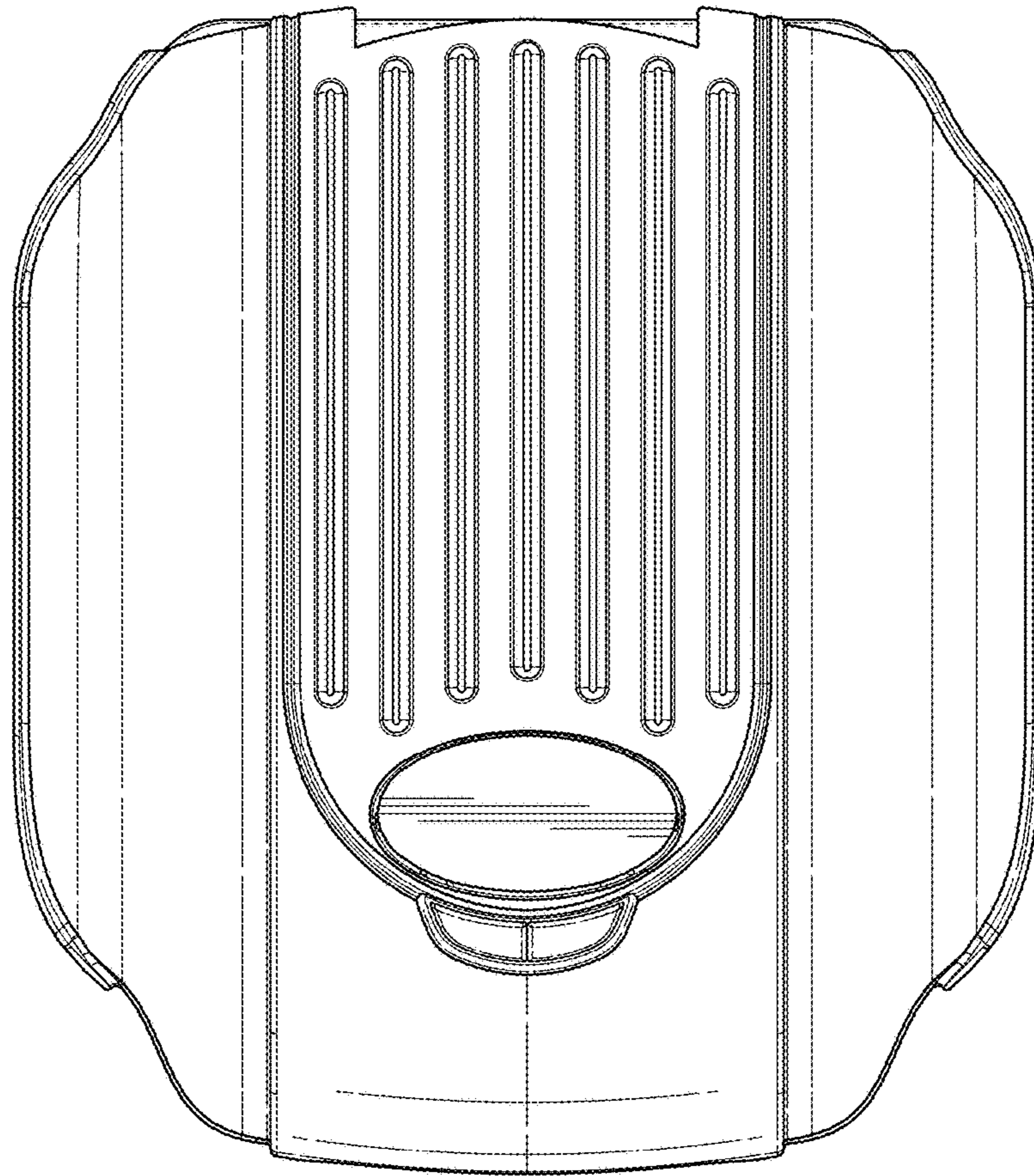


FIG. 5

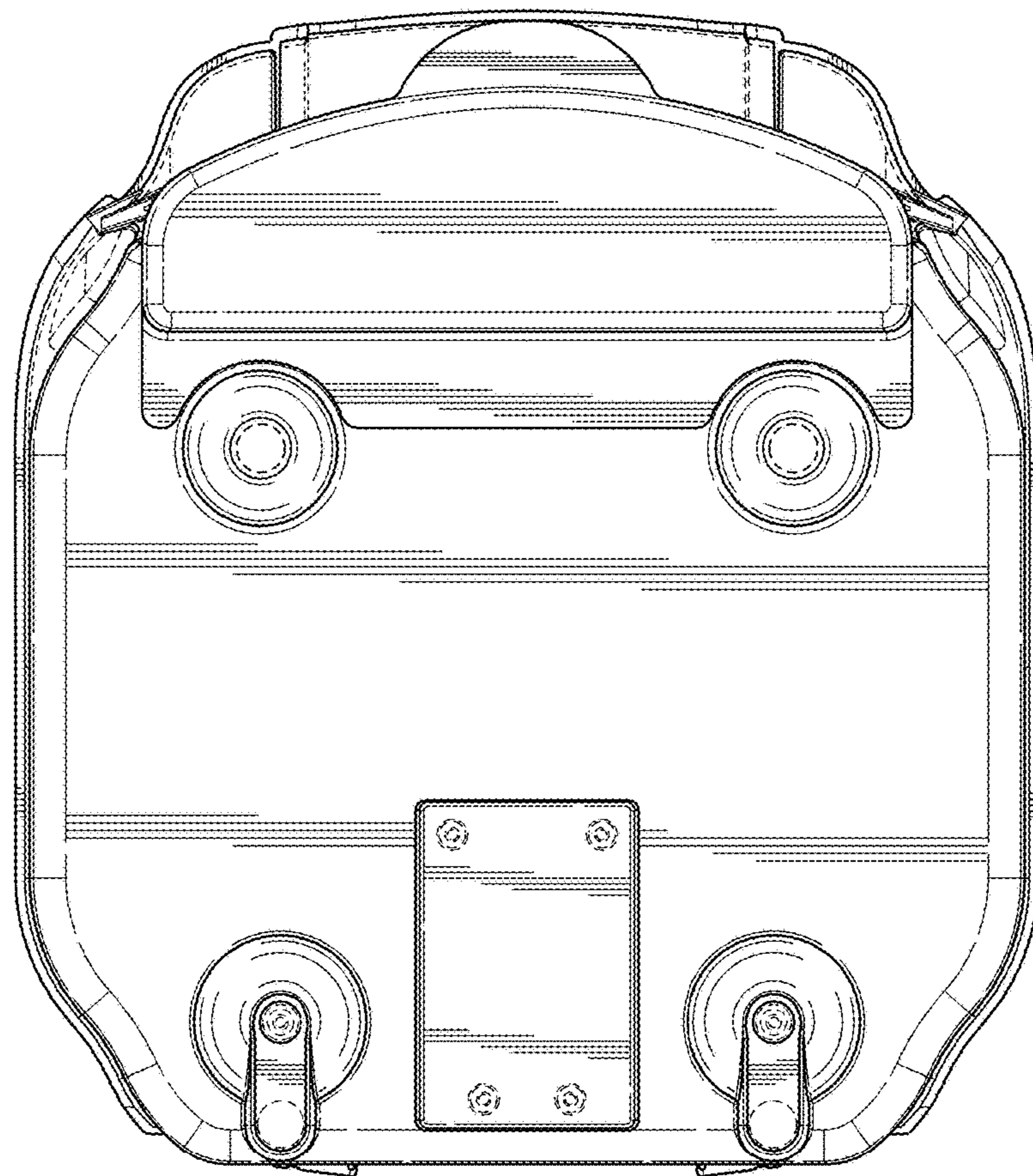


FIG. 6