



US00D856737S

(12) **United States Design Patent**
Bae et al.

(10) **Patent No.:** **US D856,737 S**

(45) **Date of Patent:** **** Aug. 20, 2019**

(54) **OVEN TOASTER**

CPC F24C 15/04; F24C 7/085
See application file for complete search history.

(71) Applicant: **LG ELECTRONICS INC.**, Seoul
(KR)

(56) **References Cited**

(72) Inventors: **Jaecil Bae**, Seoul (KR); **Joogyeon Kim**,
Seoul (KR); **Jaeseok Seong**, Seoul
(KR); **Donghwan Lee**, Seoul (KR);
Junghwan Lee, Seoul (KR)

U.S. PATENT DOCUMENTS

D569,675 S *	5/2008	Sumser	D7/328
D577,245 S *	9/2008	Sumser	D7/328
D662,759 S *	7/2012	Blacken	D7/328
D794,994 S *	8/2017	Bond	D7/328
D838,533 S *	1/2019	Tokoi	D7/328

(73) Assignee: **LG ELECTRONICS INC.**, Seoul
(KR)

* cited by examiner

(**) Term: **15 Years**

Primary Examiner — Michael A. Pratt

(21) Appl. No.: **35/505,291**

(74) *Attorney, Agent, or Firm* — Birch, Stewart, Kolasch
& Birch, LLP

(22) Filed: **Jan. 11, 2018**

(80) **Hague Agreement Data**

Int. Filing Date: **Jan. 11, 2018**

Int. Reg. No.: **DM/099284**

Int. Reg. Date: **Jan. 11, 2018**

Int. Reg. Pub. Date: **Jul. 13, 2018**

(57) **CLAIM**

The ornamental design for an oven toaster, as shown and
described.

(30) **Foreign Application Priority Data**

Jul. 12, 2017 (KR) 30-2017-0032116

(51) **LOC (12) Cl.** **07-02**

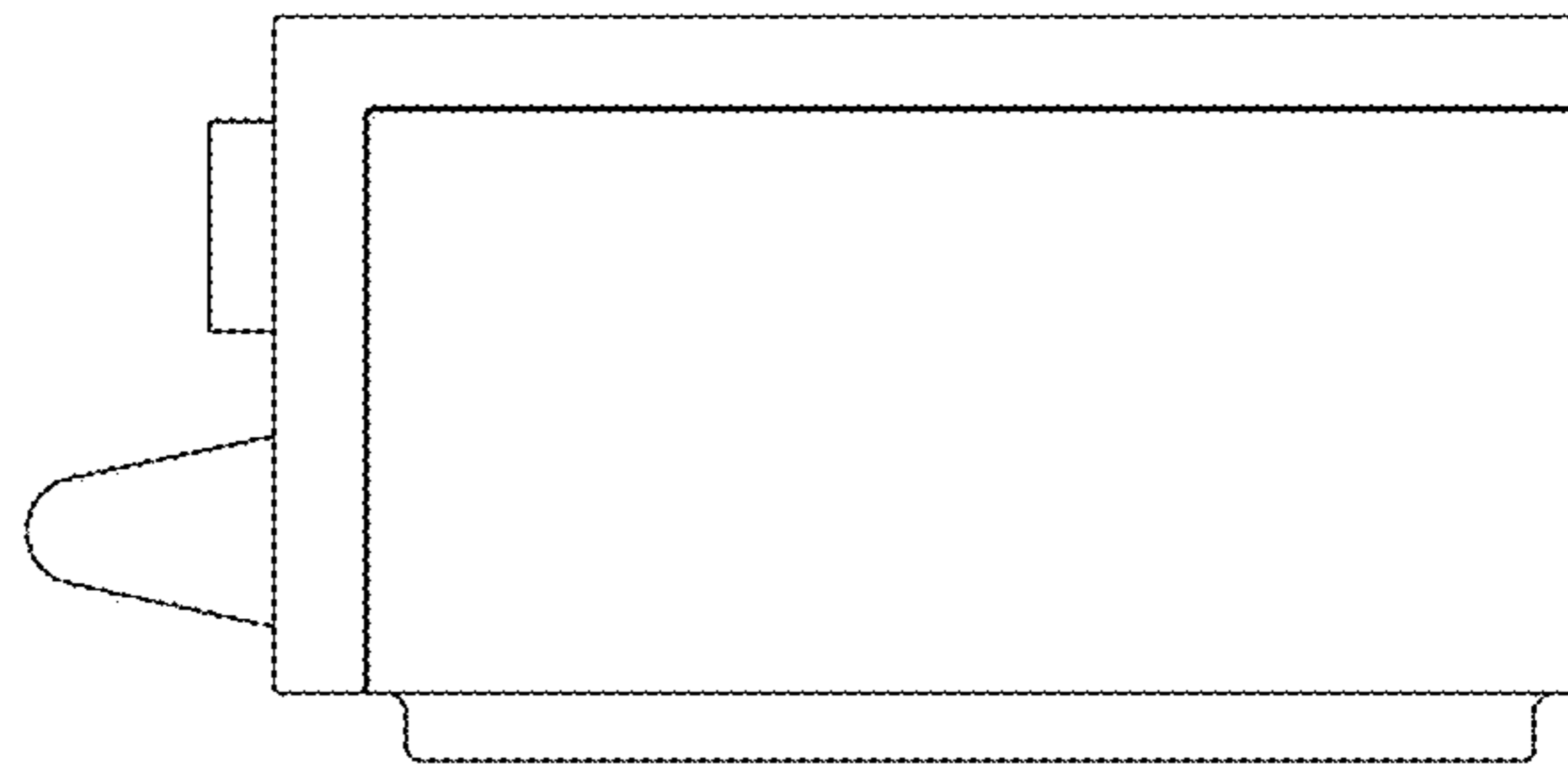
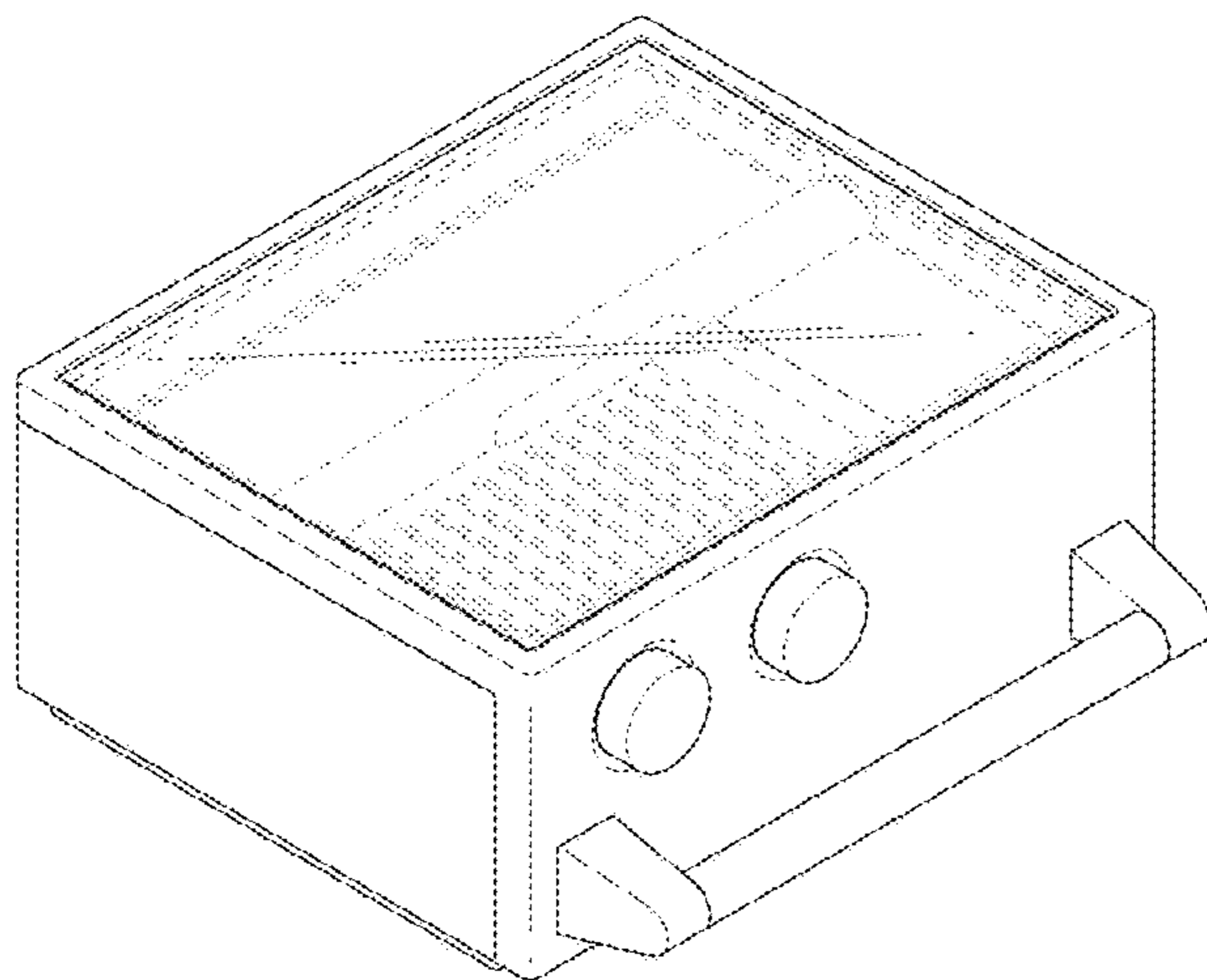
(52) **U.S. Cl.**
USPC **D7/328**

(58) **Field of Classification Search**
USPC **D7/328, 330**

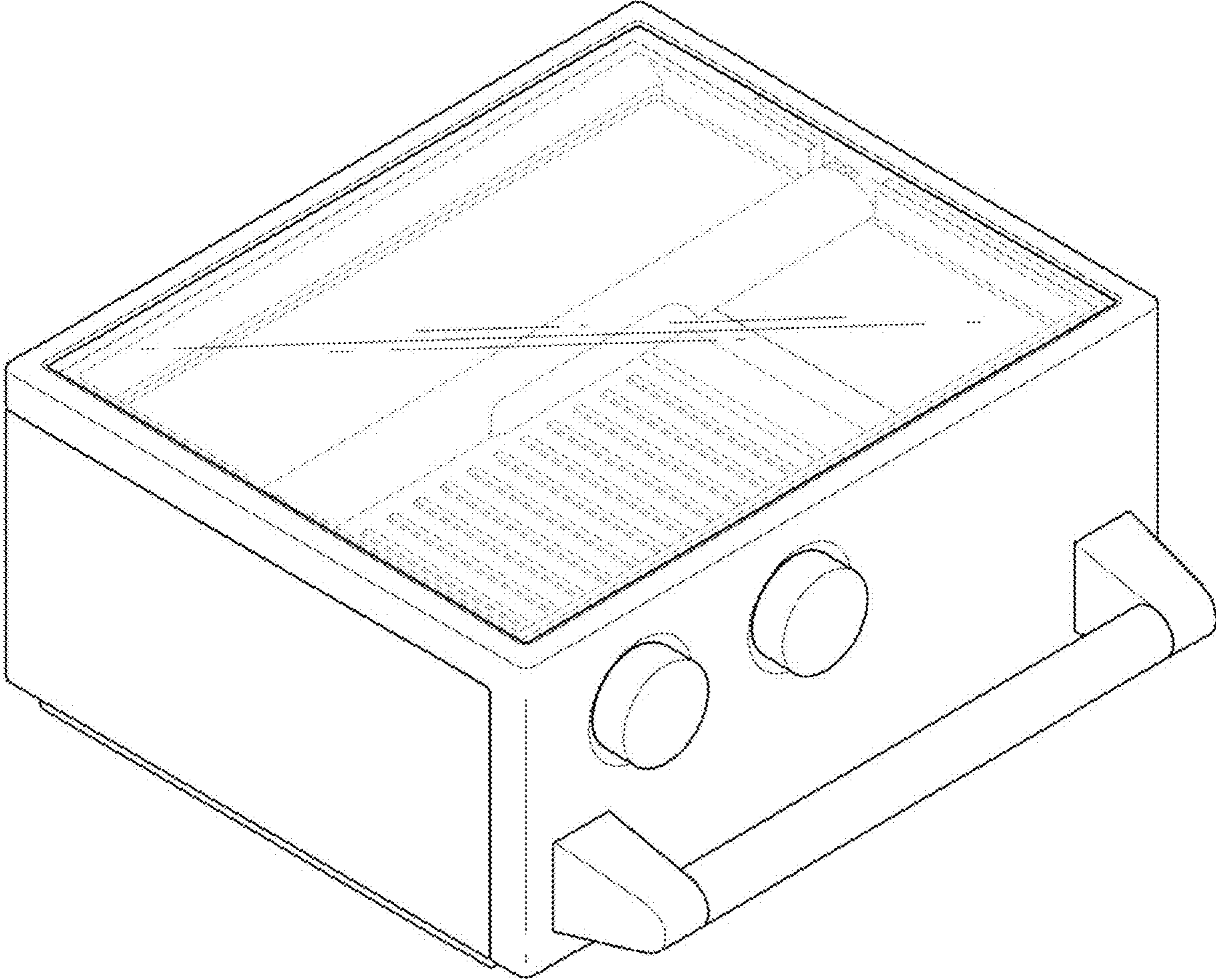
DESCRIPTION

- 1. Oven toaster
- 1.1 : Perspective
- 1.2 : Front
- 1.3 : Back
- 1.4 : Left
- 1.5 : Right
- 1.6 : Top
- 1.7 : Bottom

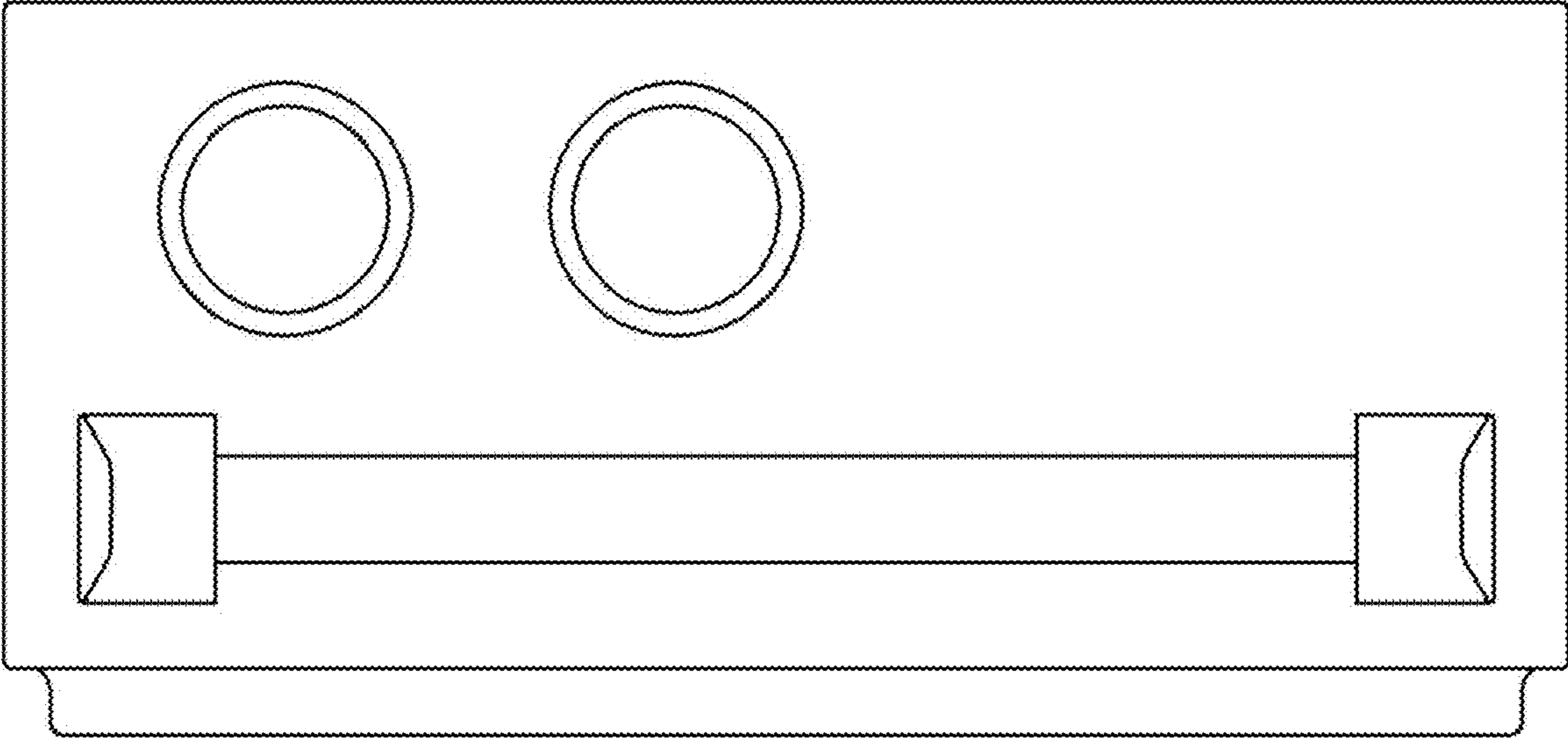
1 Claim, 7 Drawing Sheets



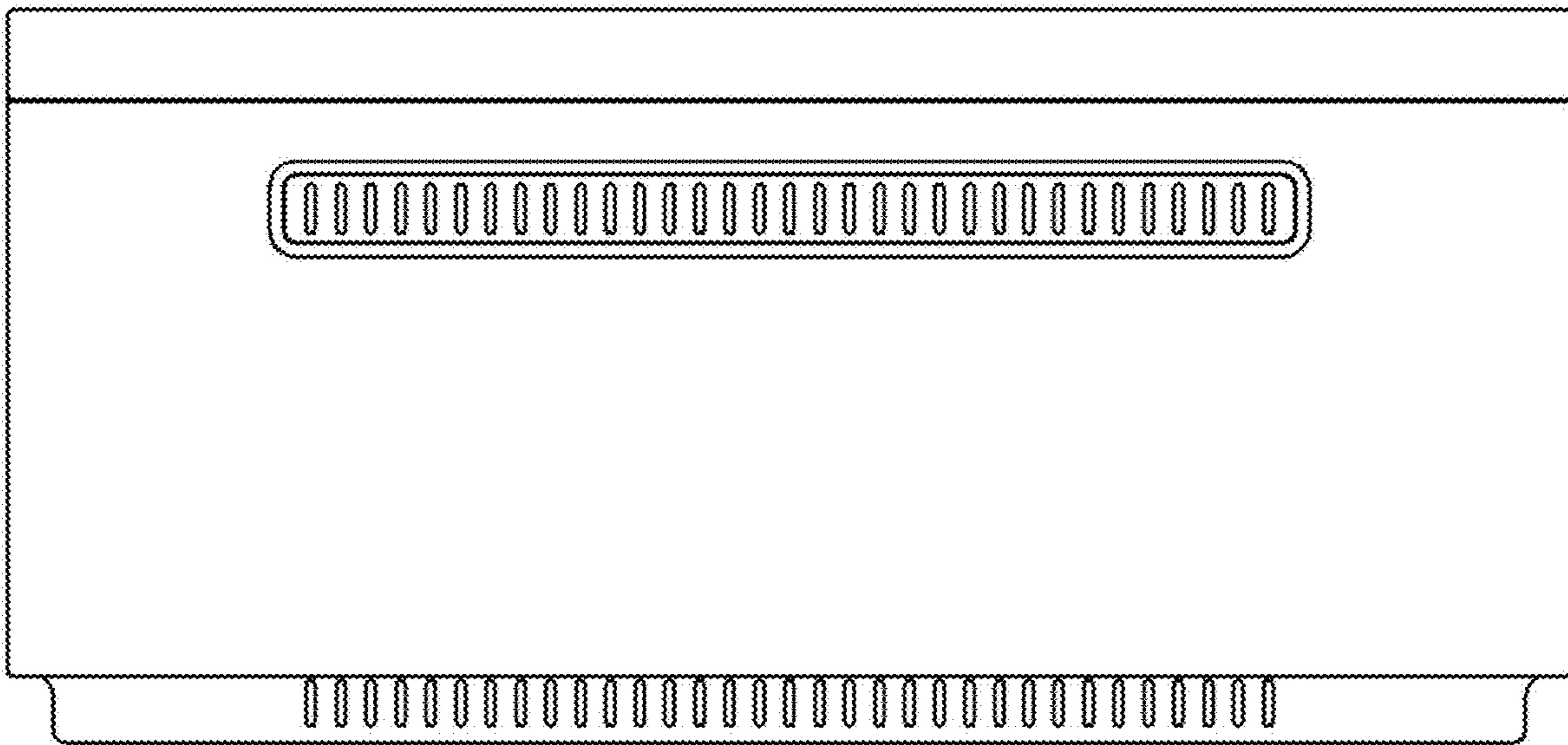
1.1



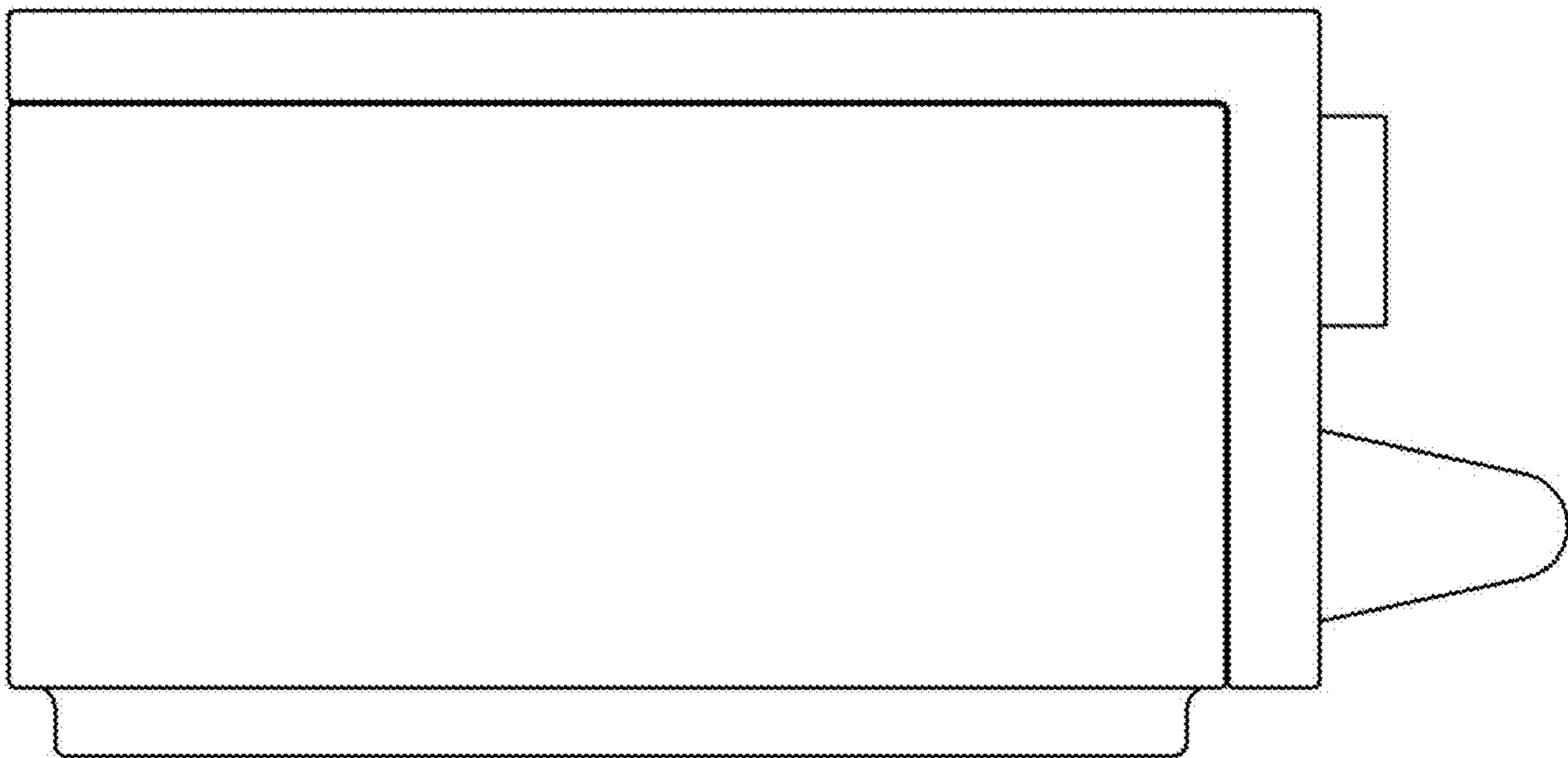
1.2



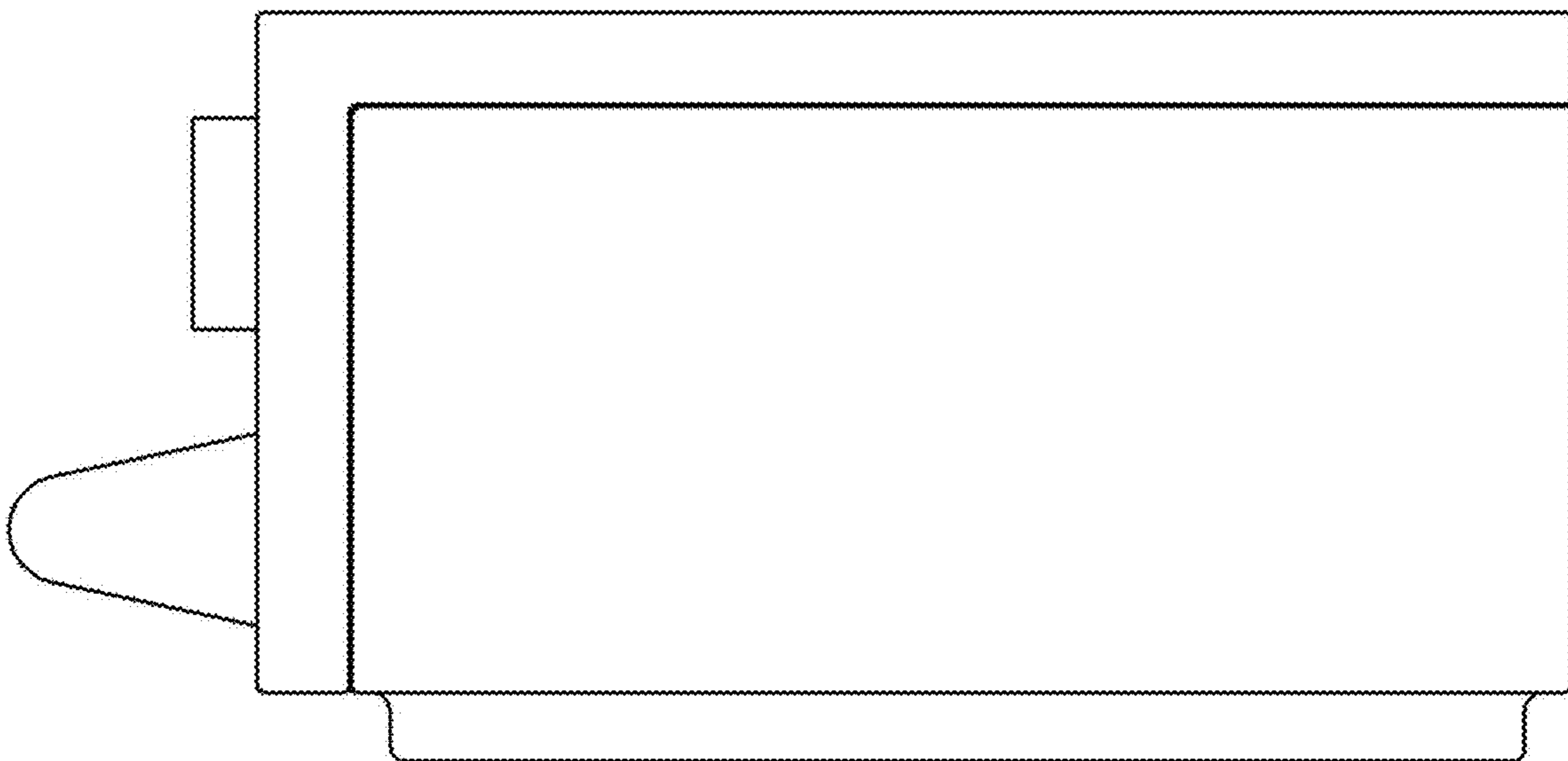
1.3



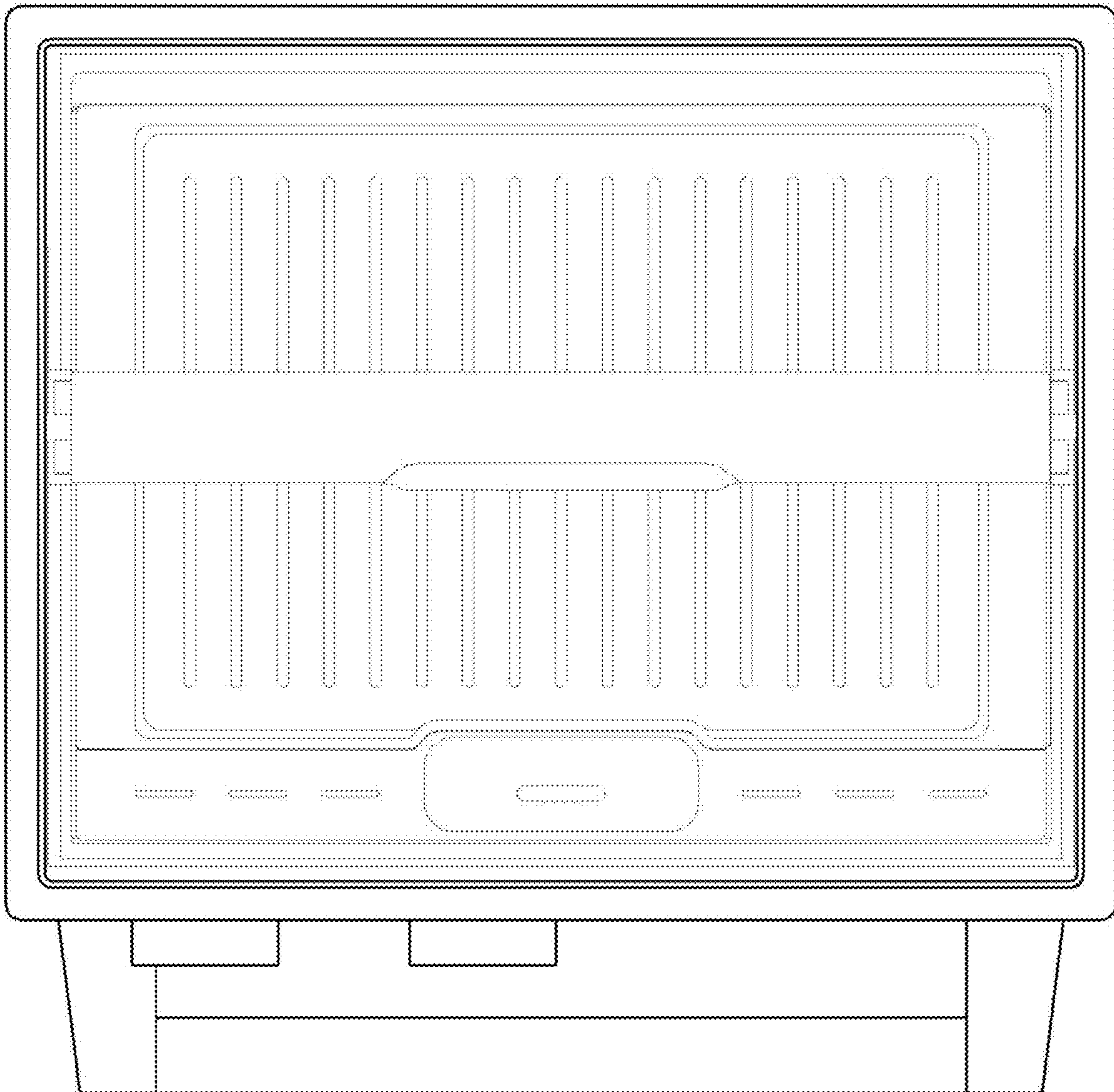
1.4



1.5



1.6



1.7

