



US00D856735S

(12) **United States Design Patent**
Bae et al.

(10) **Patent No.:** **US D856,735 S**

(45) **Date of Patent:** **** Aug. 20, 2019**

(54) **OVEN TOASTER**

D662,759 S * 7/2012 Blacken D7/328
D794,994 S * 8/2017 Bond D7/328
D838,533 S * 1/2019 Tokoi D7/328

(71) Applicant: **LG ELECTRONICS INC.**, Seoul
(KR)

* cited by examiner

(72) Inventors: **Jaeil Bae**, Seoul (KR); **Joogyeon Kim**,
Seoul (KR); **Jaeseok Seong**, Seoul
(KR); **Donghwan Lee**, Seoul (KR);
Junghwan Lee, Seoul (KR)

Primary Examiner — Michael A. Pratt

(74) *Attorney, Agent, or Firm* — Birch, Stewart, Kolasch
& Birch, LLP

(73) Assignee: **LG ELECTRONICS INC.**, Seoul
(KR)

(57) **CLAIM**

The ornamental design for oven toaster, as shown and
described.

(**) Term: **15 Years**

DESCRIPTION

(21) Appl. No.: **35/505,262**

1. Oven toaster

(22) Filed: **Jan. 11, 2018**

1.1 : Perspective

1.2 : Front

(80) **Hague Agreement Data**

Int. Filing Date: **Jan. 11, 2018**

Int. Reg. No.: **DM/100378**

Int. Reg. Date: **Jan. 11, 2018**

Int. Reg. Pub. Date: **Jul. 13, 2018**

1.3 : Back

1.4 : Left

1.5 : Right

1.6 : Top

1.7 : Bottom

1.8 : Perspective

1.9 : Front

1.10 : Back

1.11 : Left

1.12 : Right

1.13 : Top

1.14 : Bottom

1.15 : Perspective

1.16 : Front

1.17 : Back

1.18 : Left

1.19 : Right

1.20 : Top

1.21 : Bottom

(30) **Foreign Application Priority Data**

Jul. 12, 2017 (KR) 30-2017-0032114

(51) **LOC (12) Cl.** **07-02**

(52) **U.S. Cl.**

USPC **D7/328**

(58) **Field of Classification Search**

USPC D7/328, 330

CPC F24C 15/04; F24C 7/085

See application file for complete search history.

Views Nos. 1.1-1.7 show the state of the subject design
before the change; views Nos. 1.8-1.14 show the subject
design with its upper door opened (the intermediate step of
the change); views Nos. 1.15-1.21 show the subject design
with its internal tray slid forward (the state after its change).

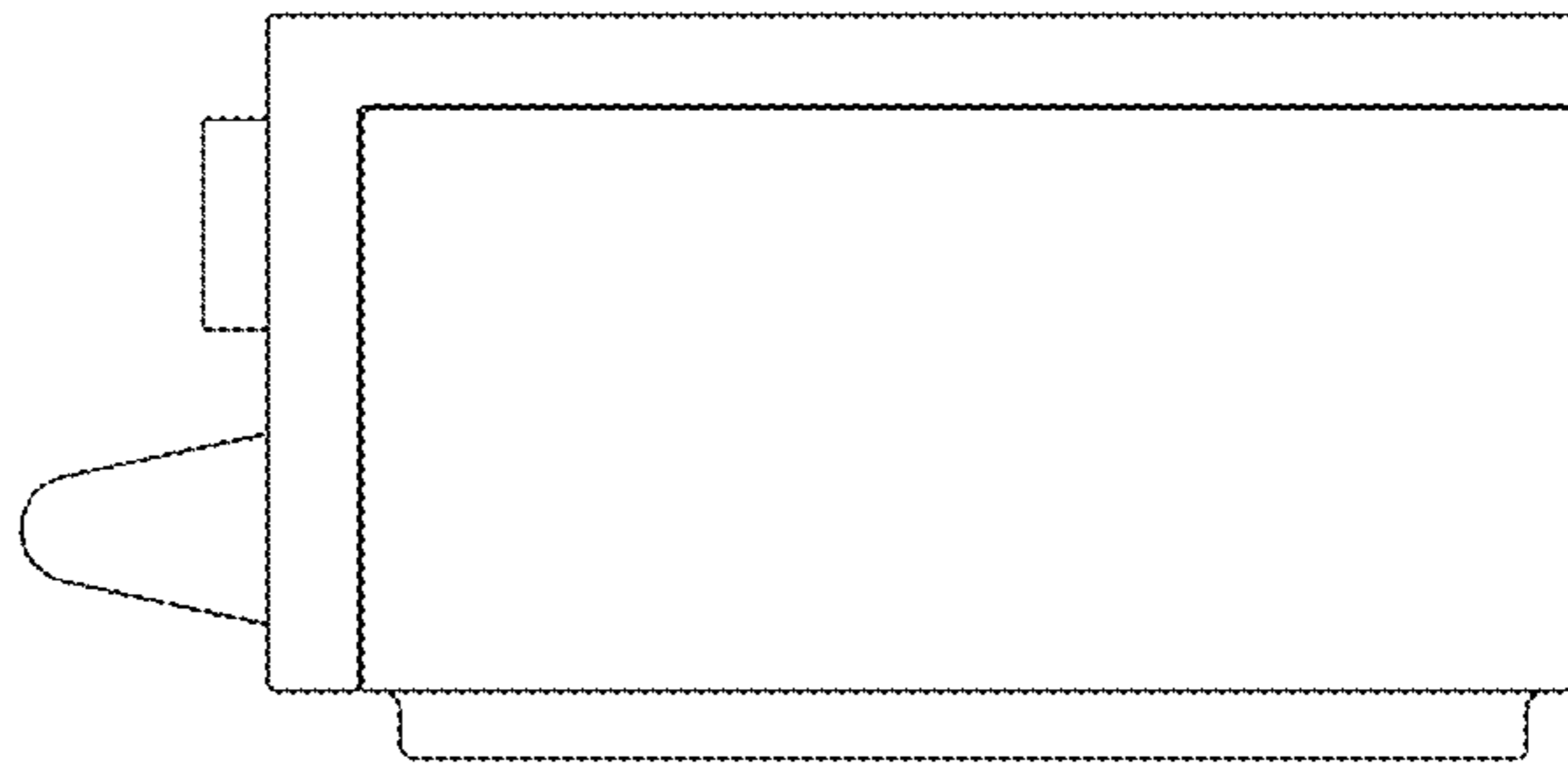
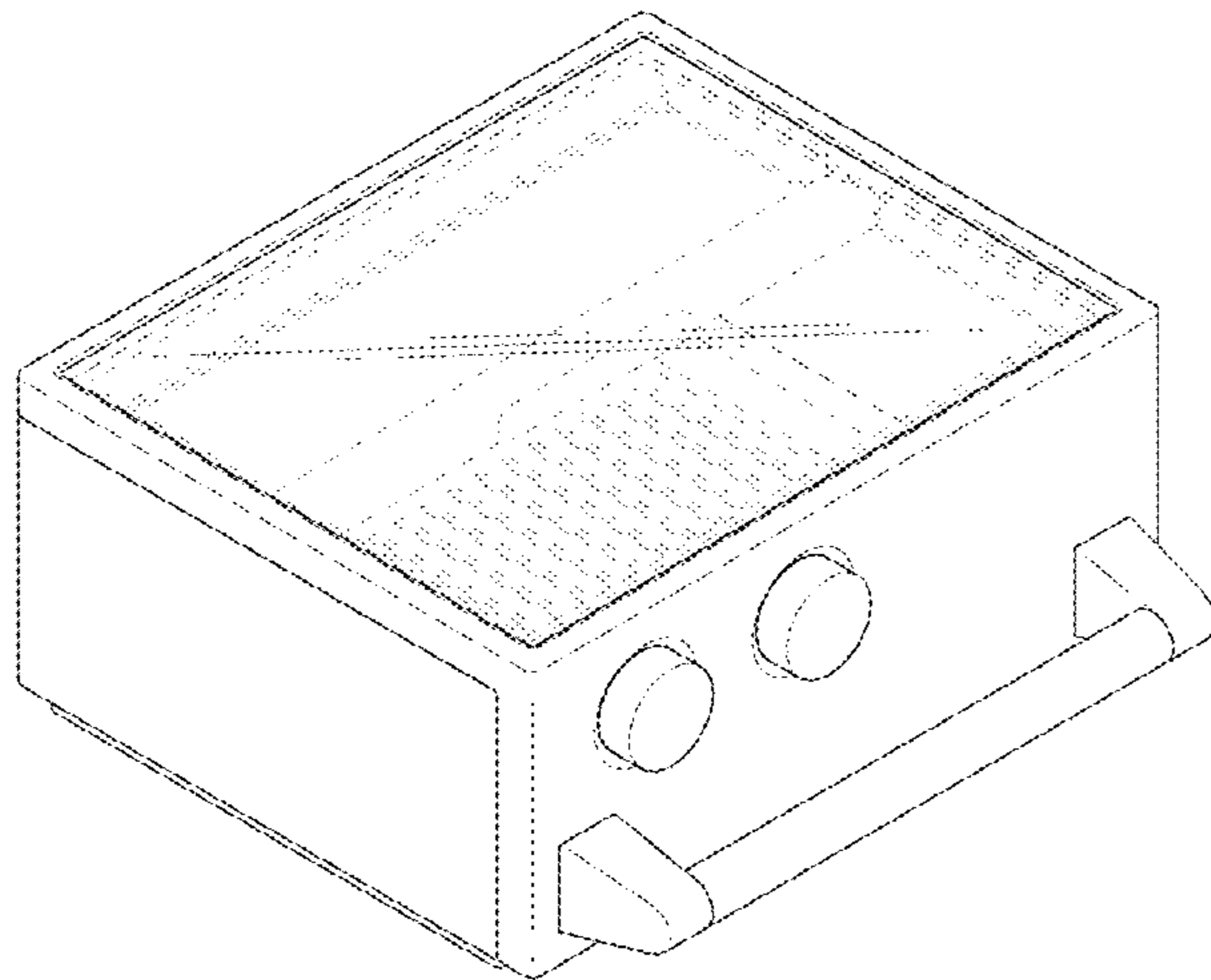
(56) **References Cited**

U.S. PATENT DOCUMENTS

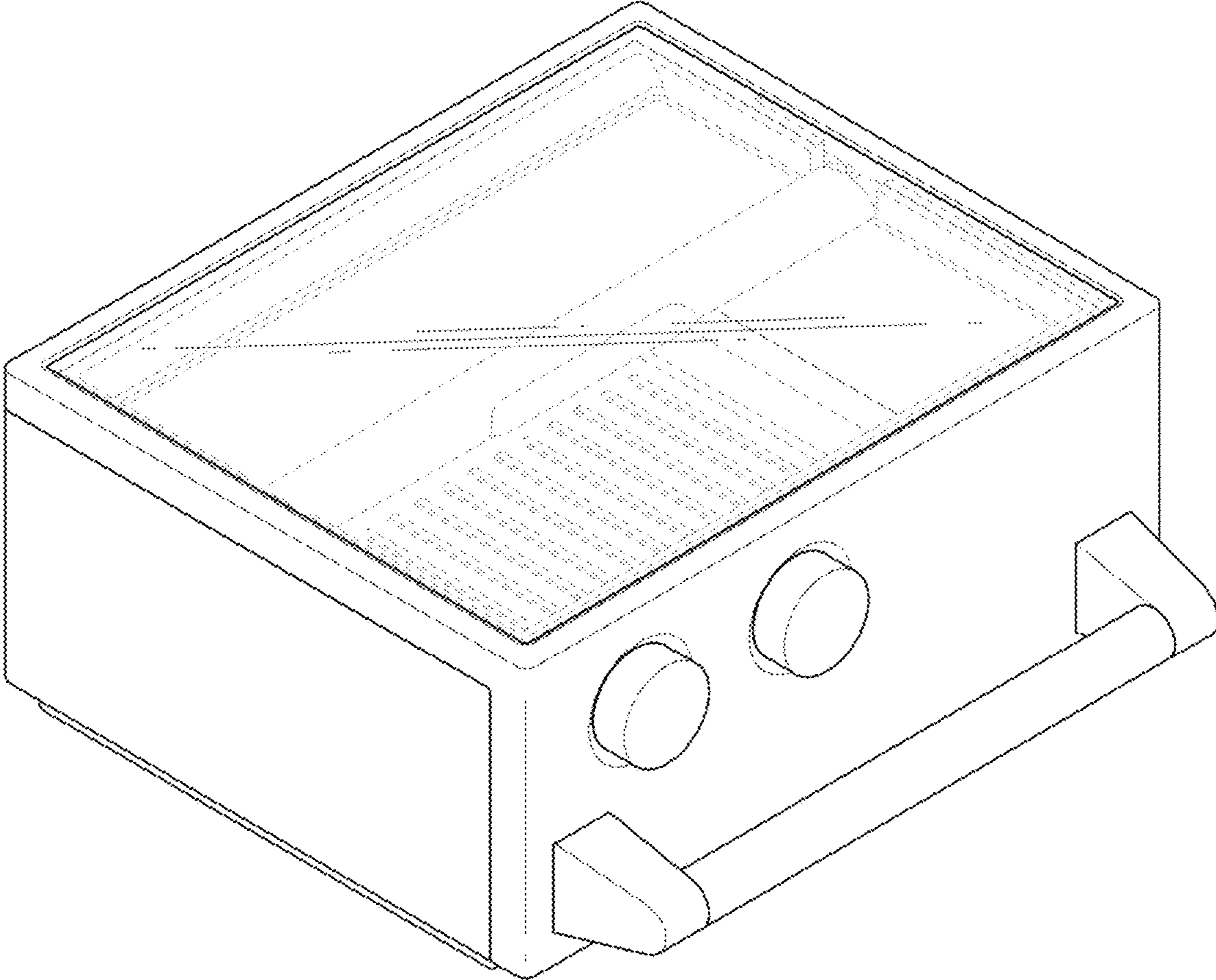
D569,675 S * 5/2008 Sumser D7/328

D577,245 S * 9/2008 Sumser D7/328

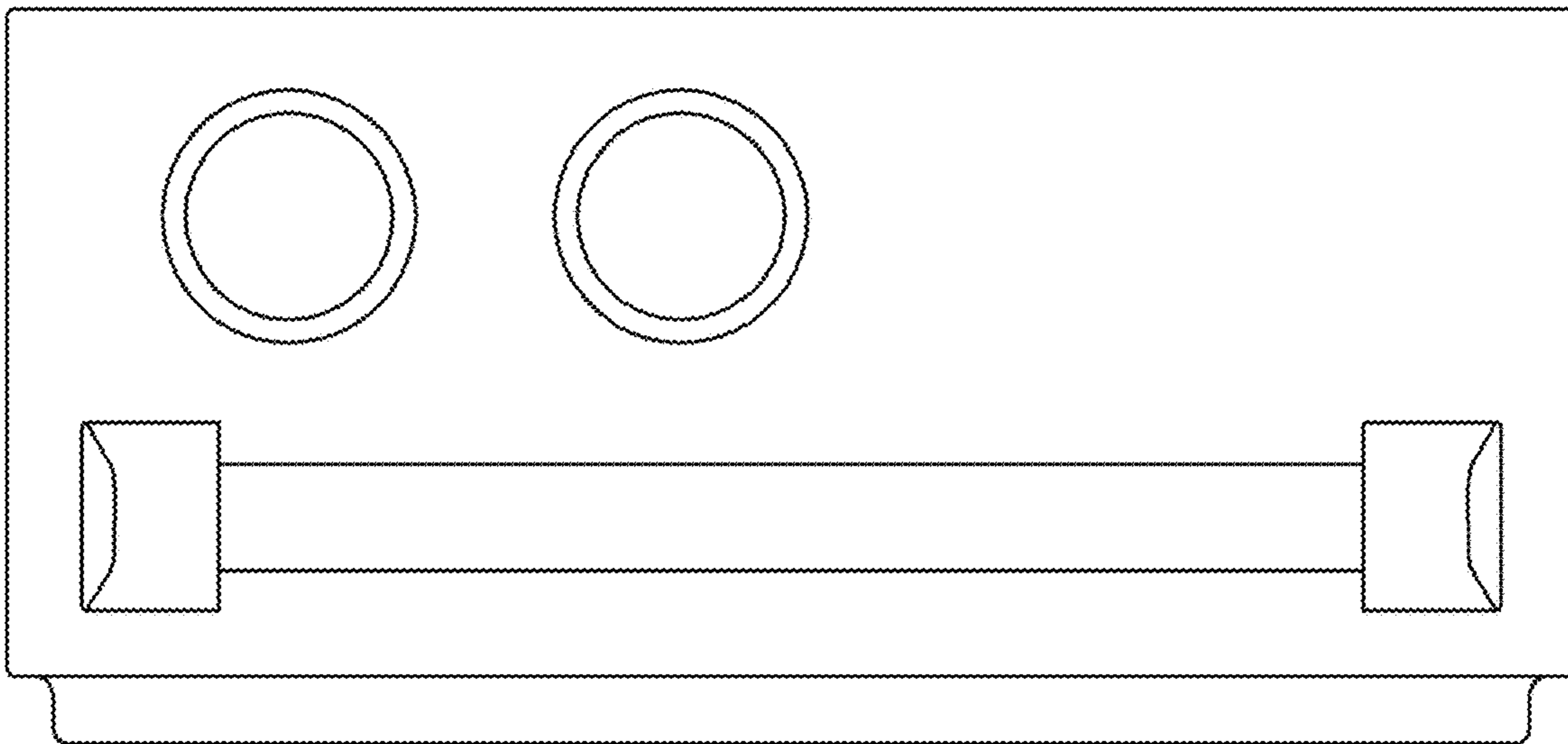
1 Claim, 21 Drawing Sheets



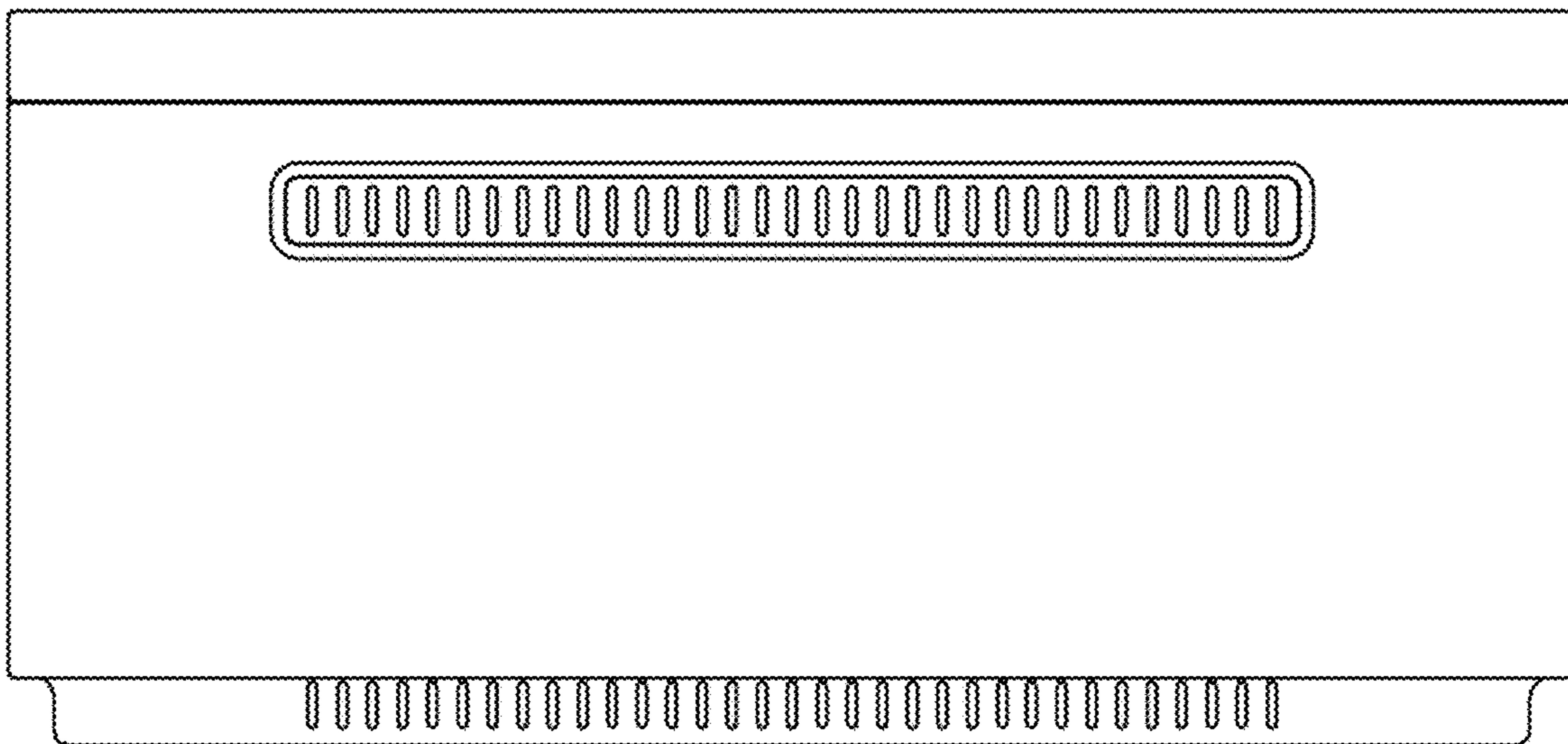
1.1



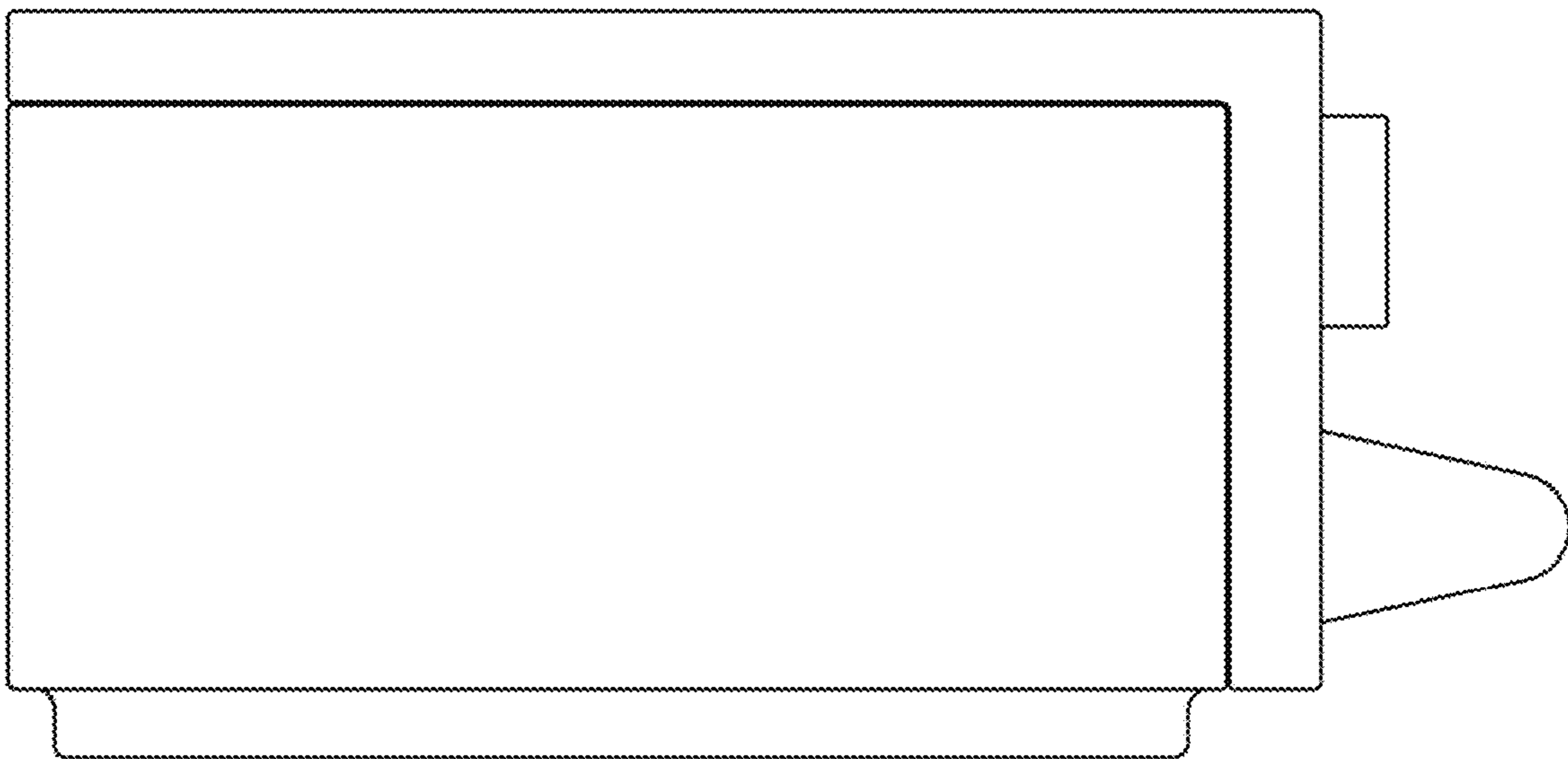
1.2



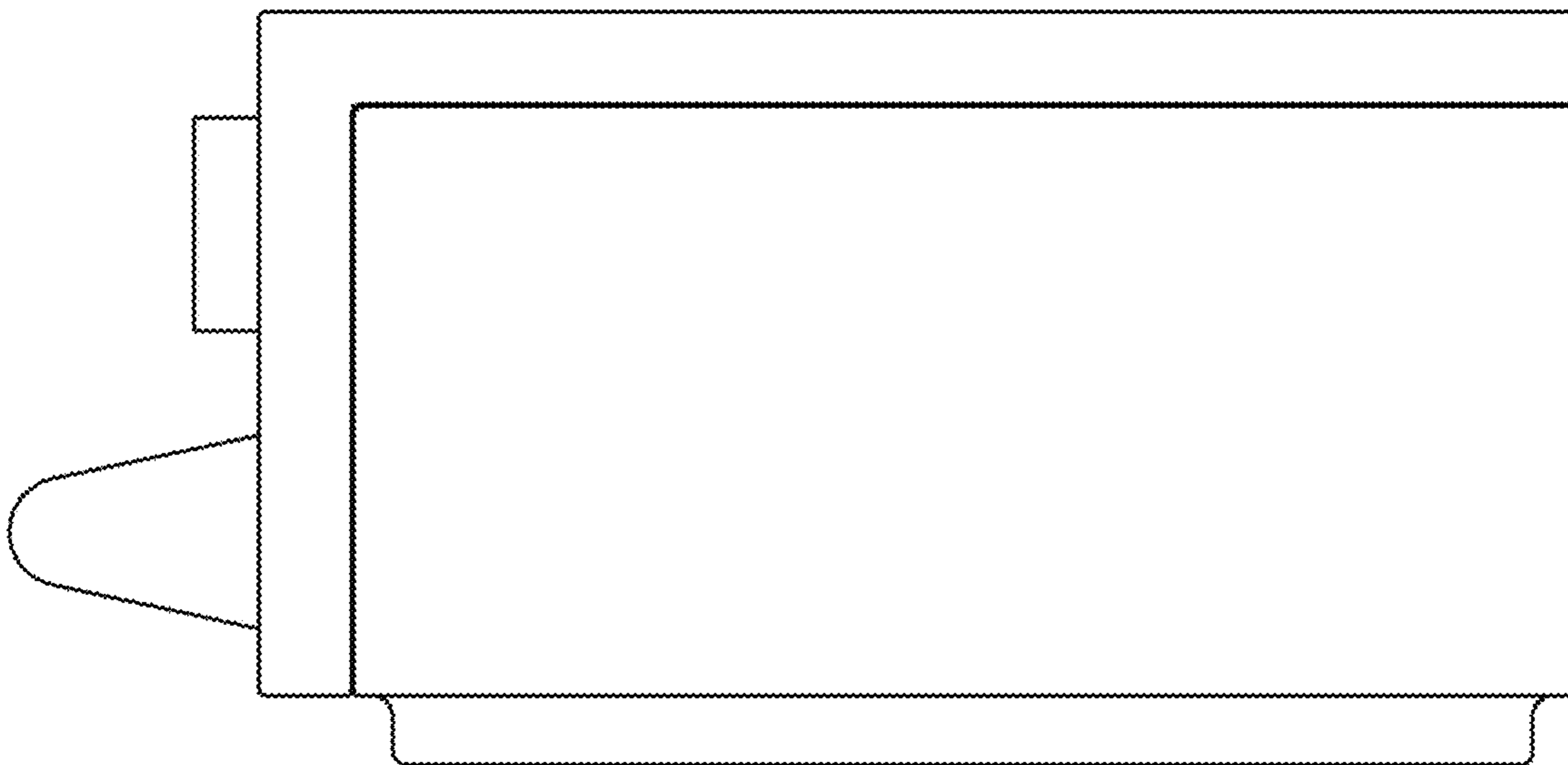
1.3



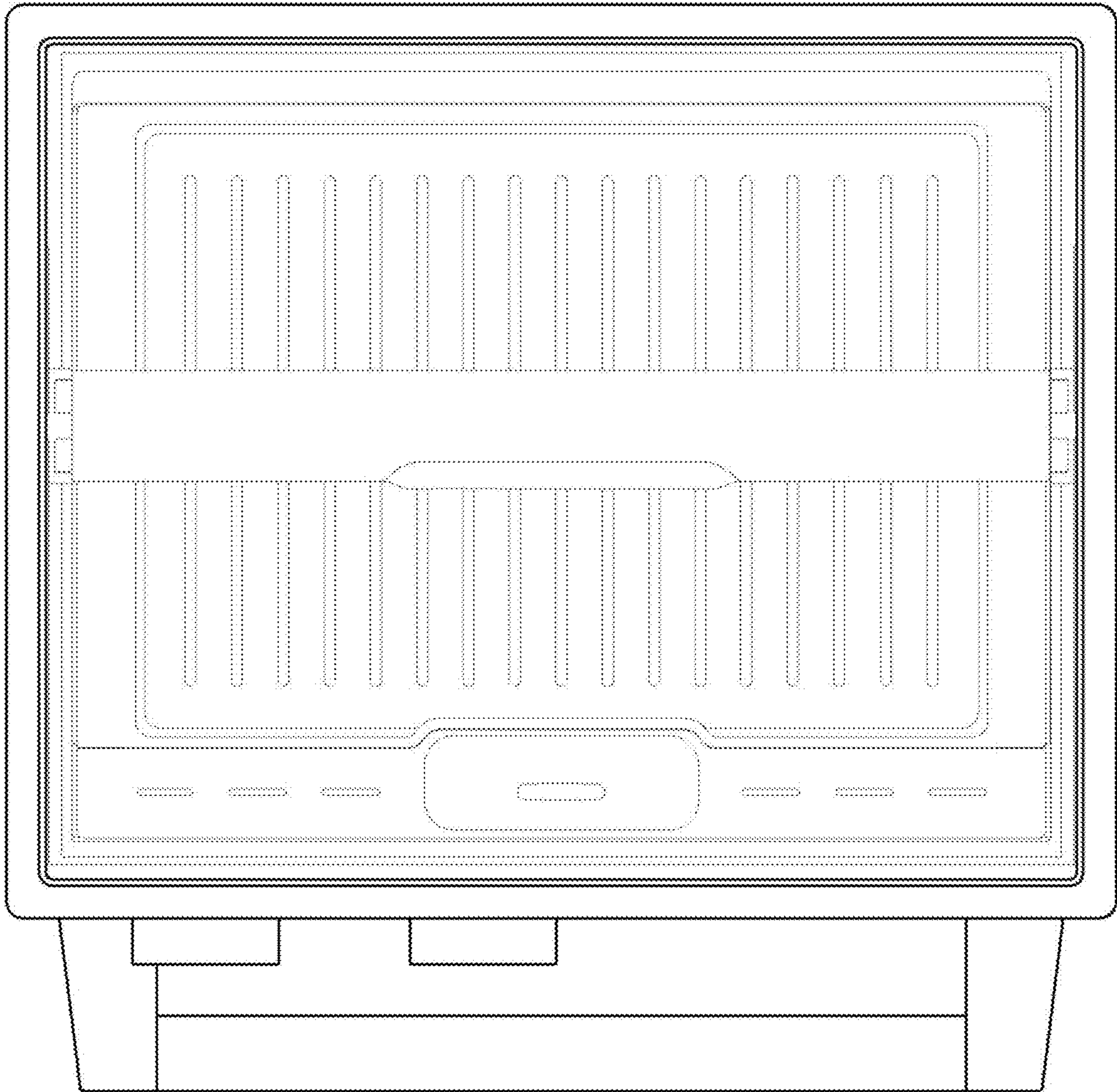
1.4



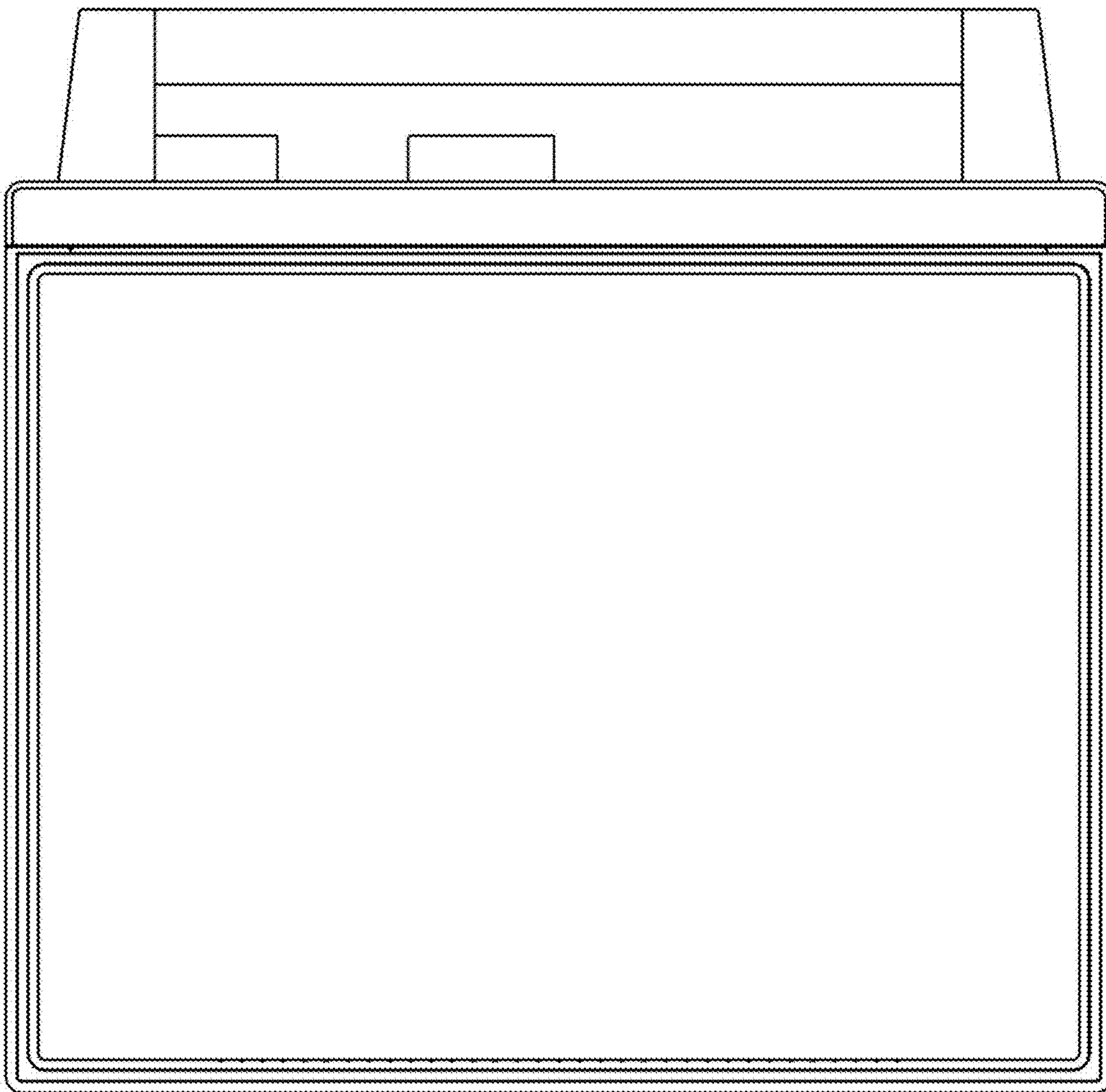
1.5



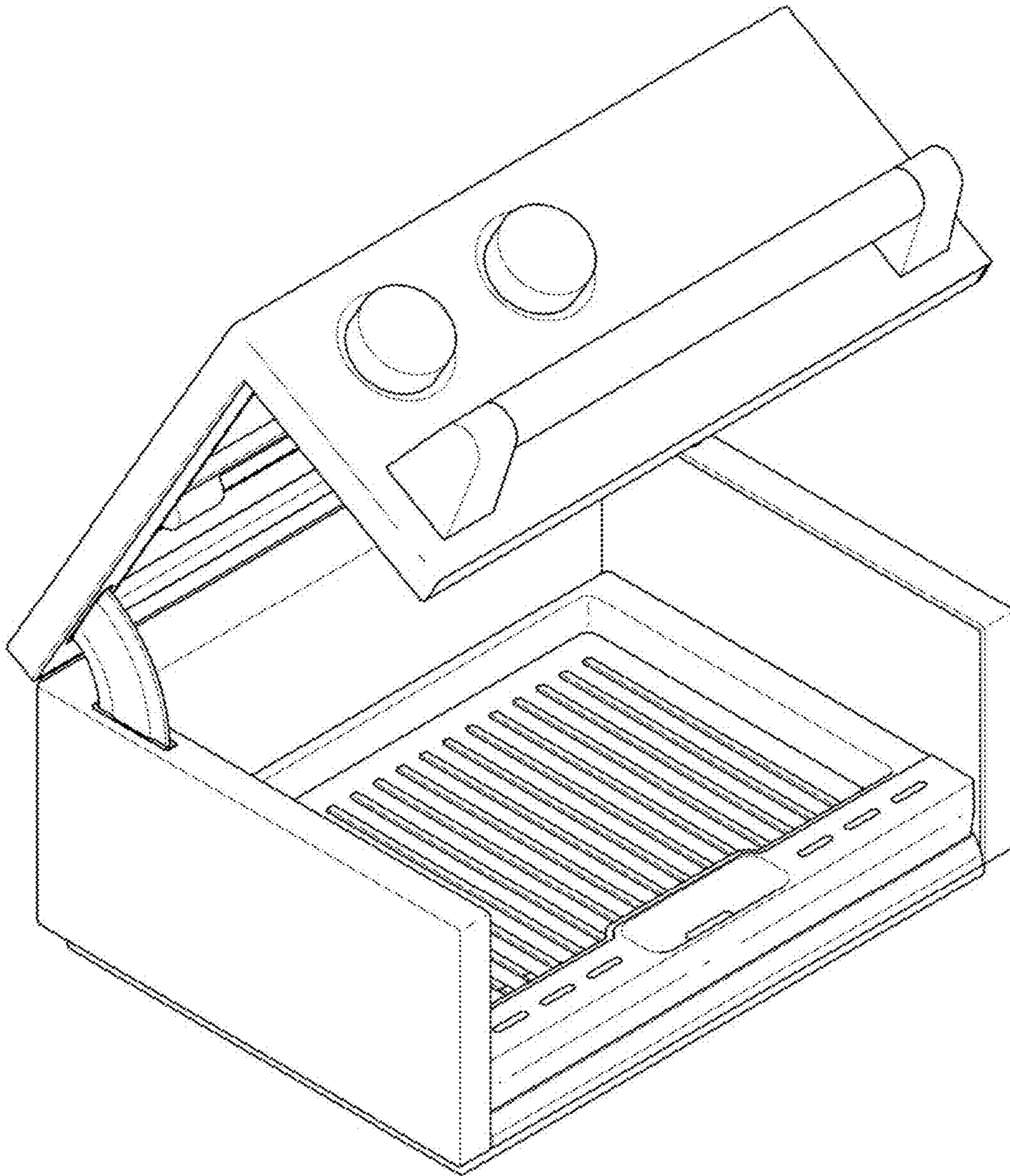
1.6



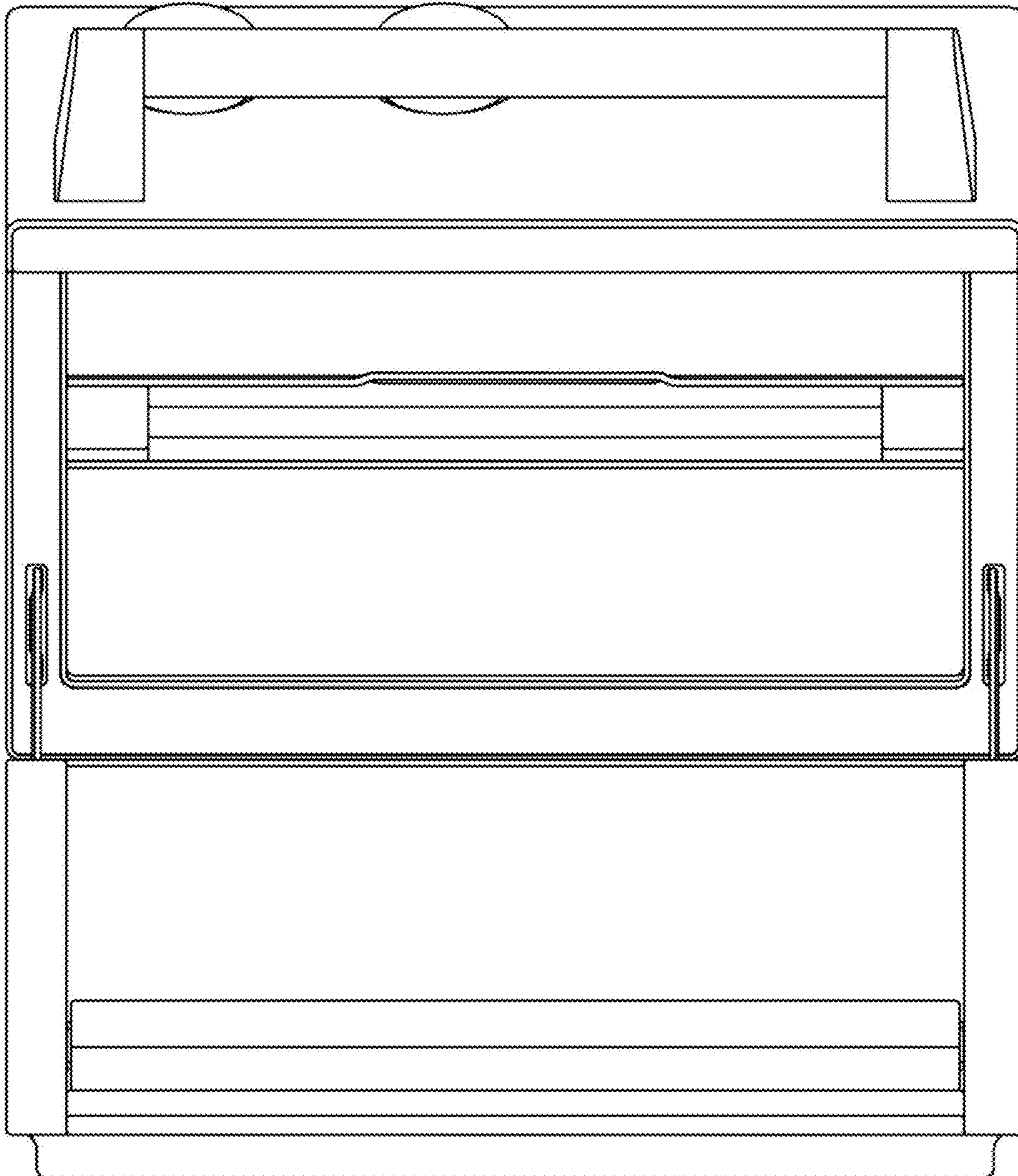
1.7



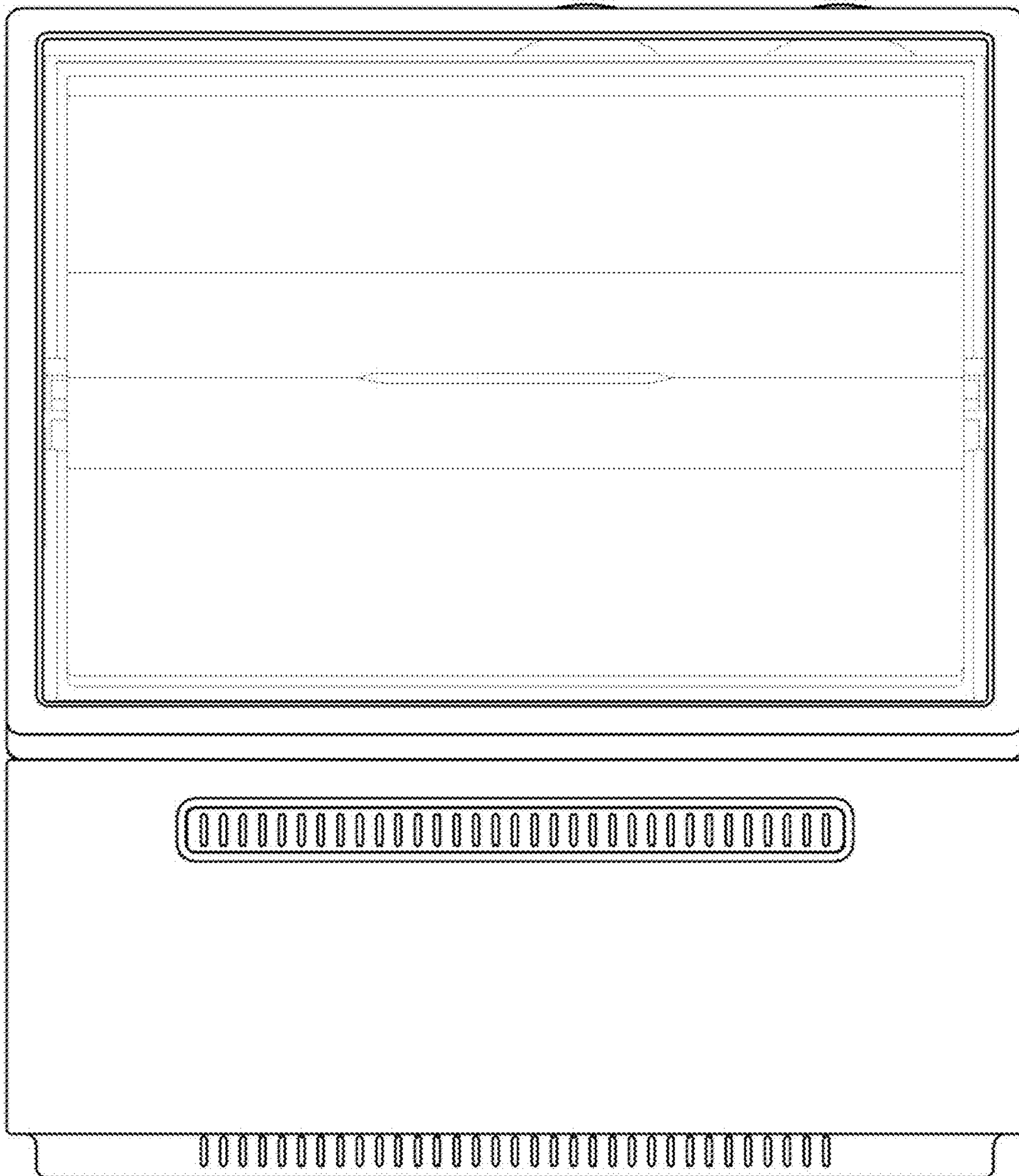
1.8



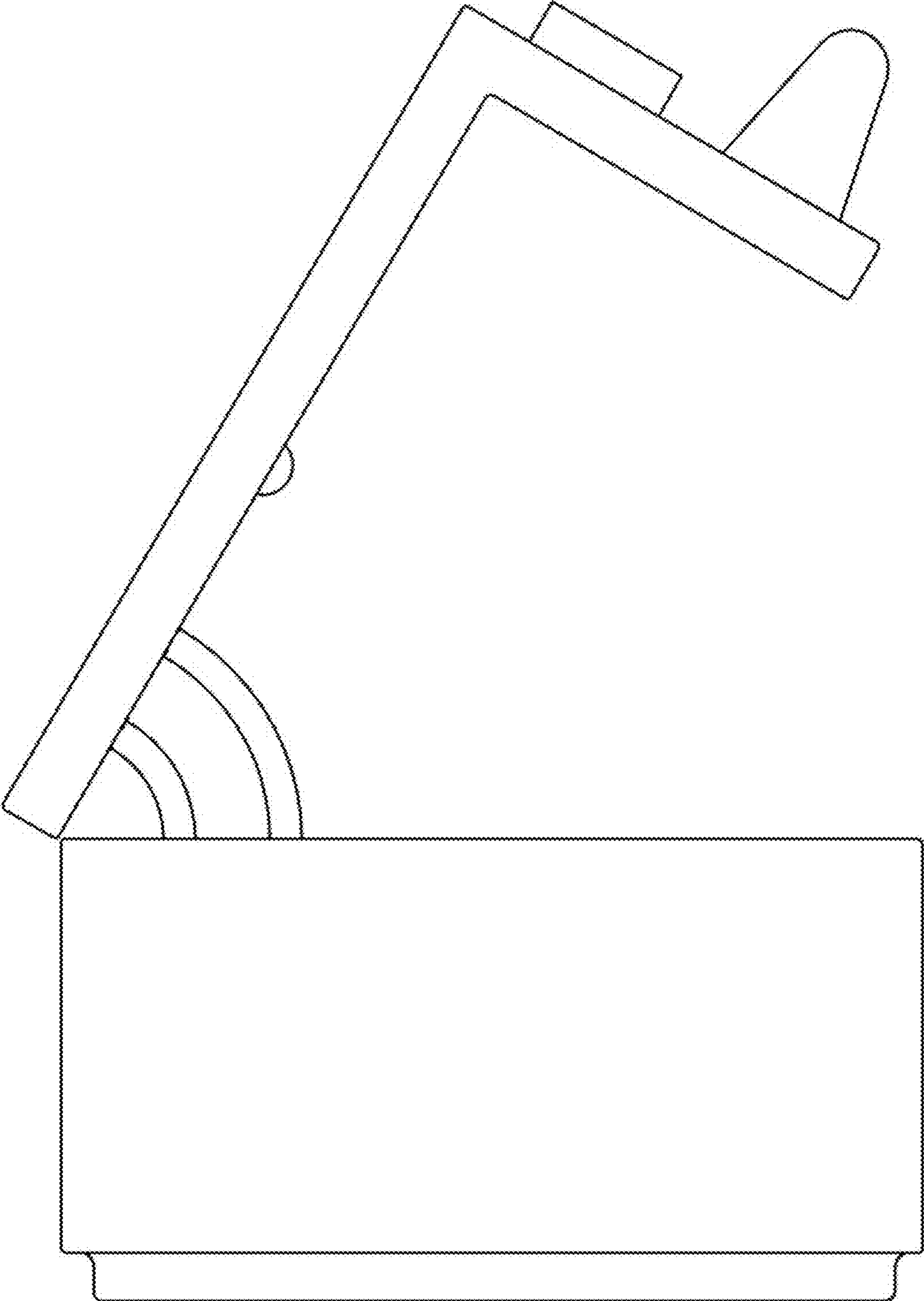
1.9



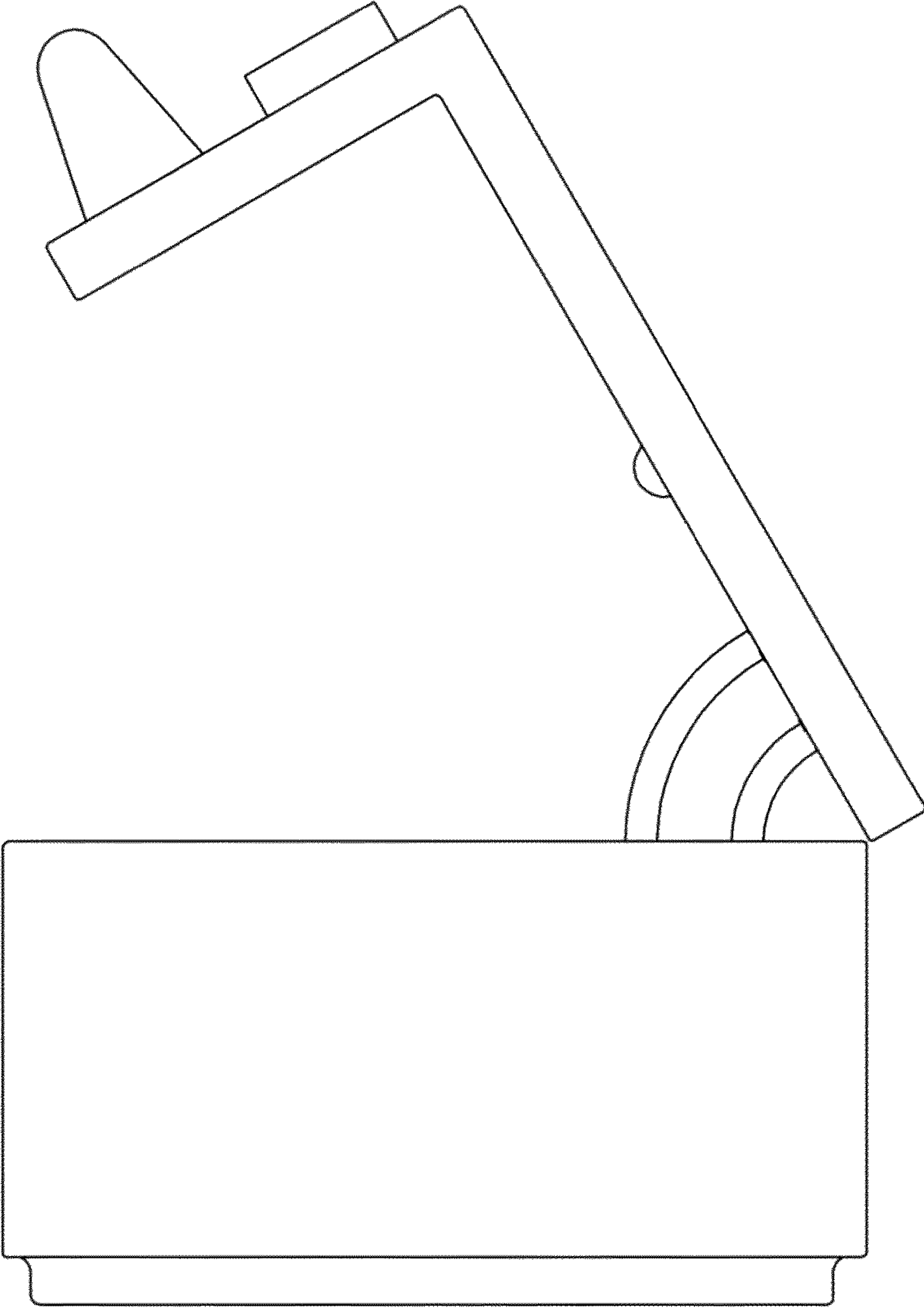
1.10



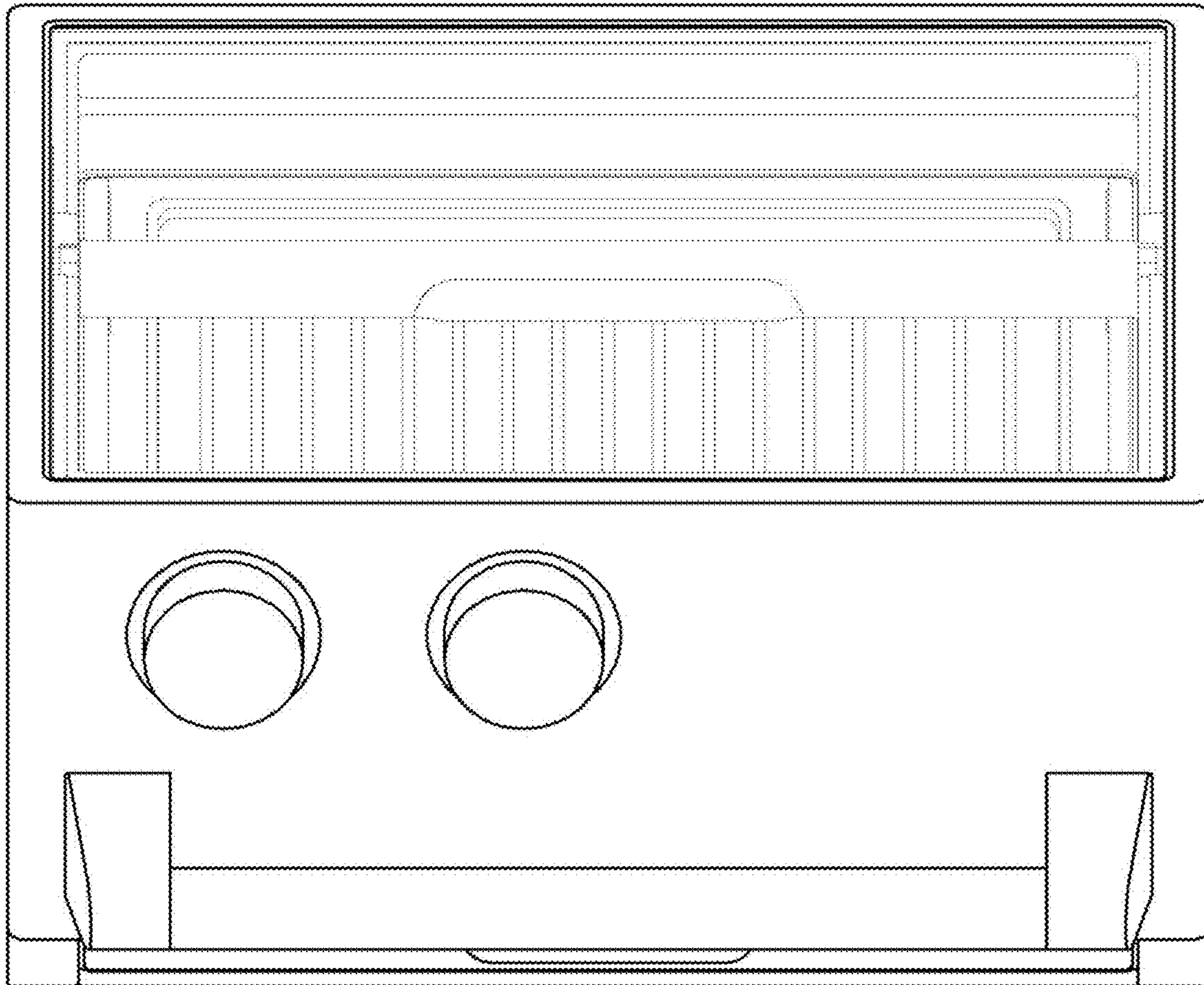
1.11



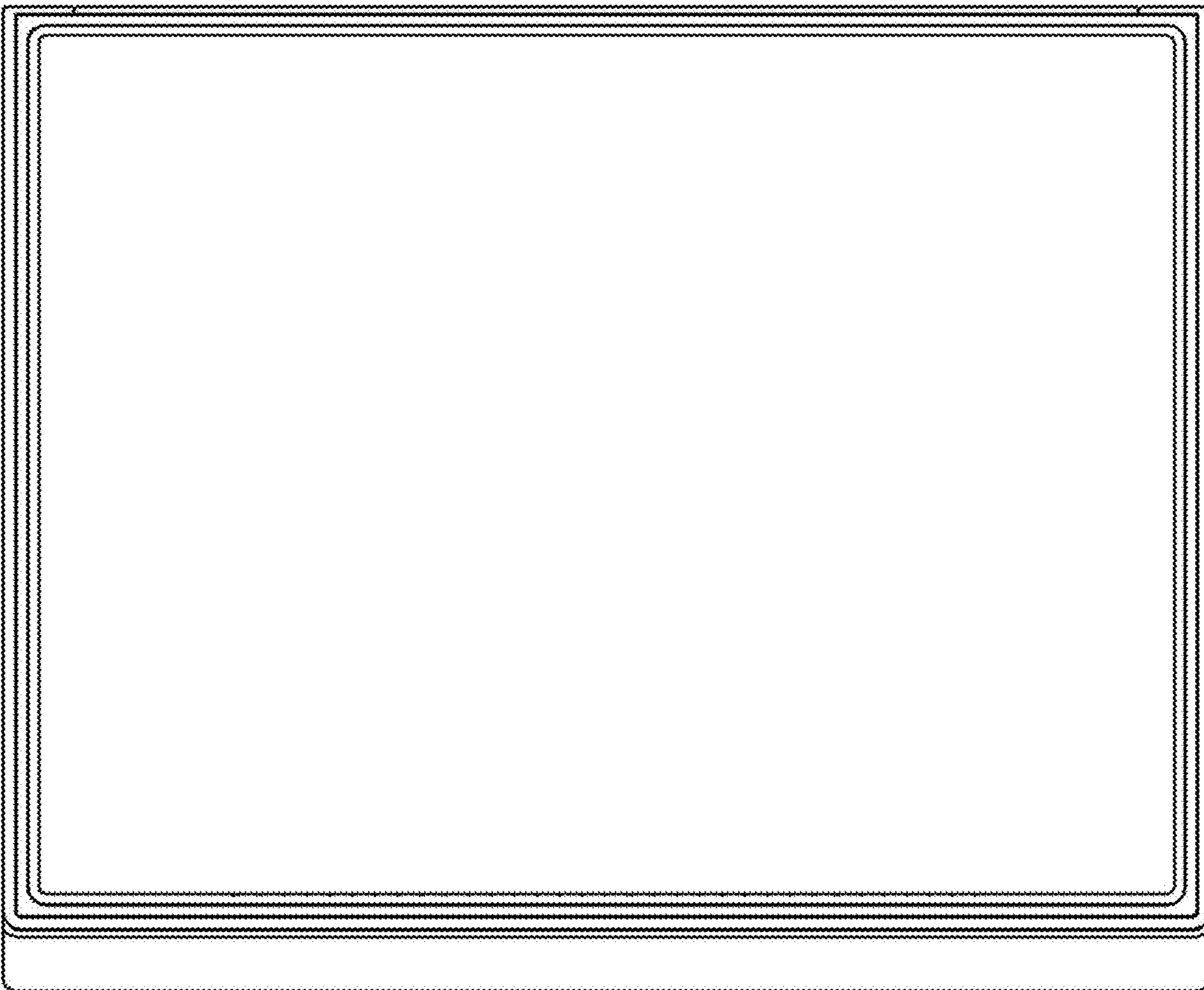
1.12



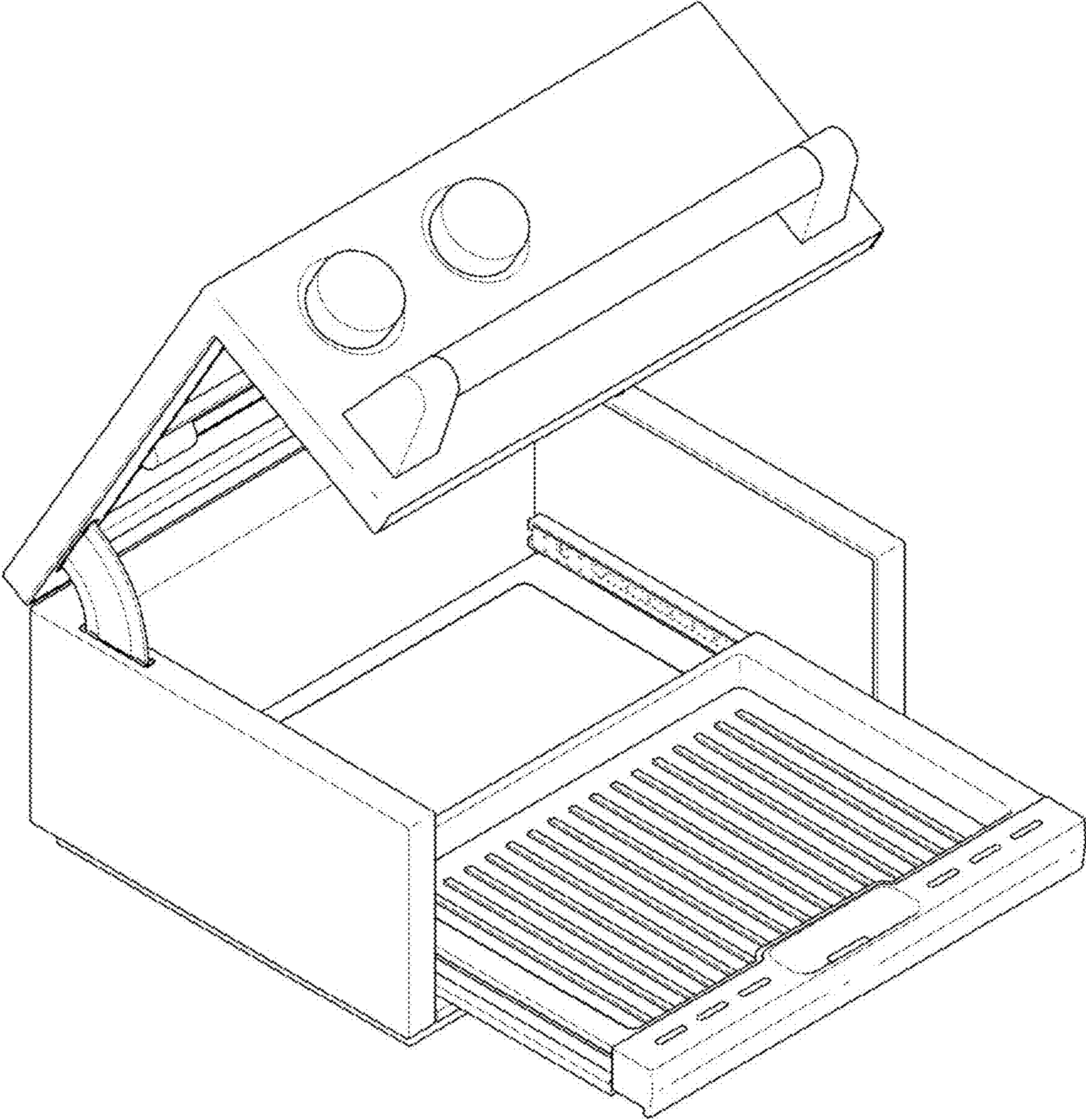
1.13



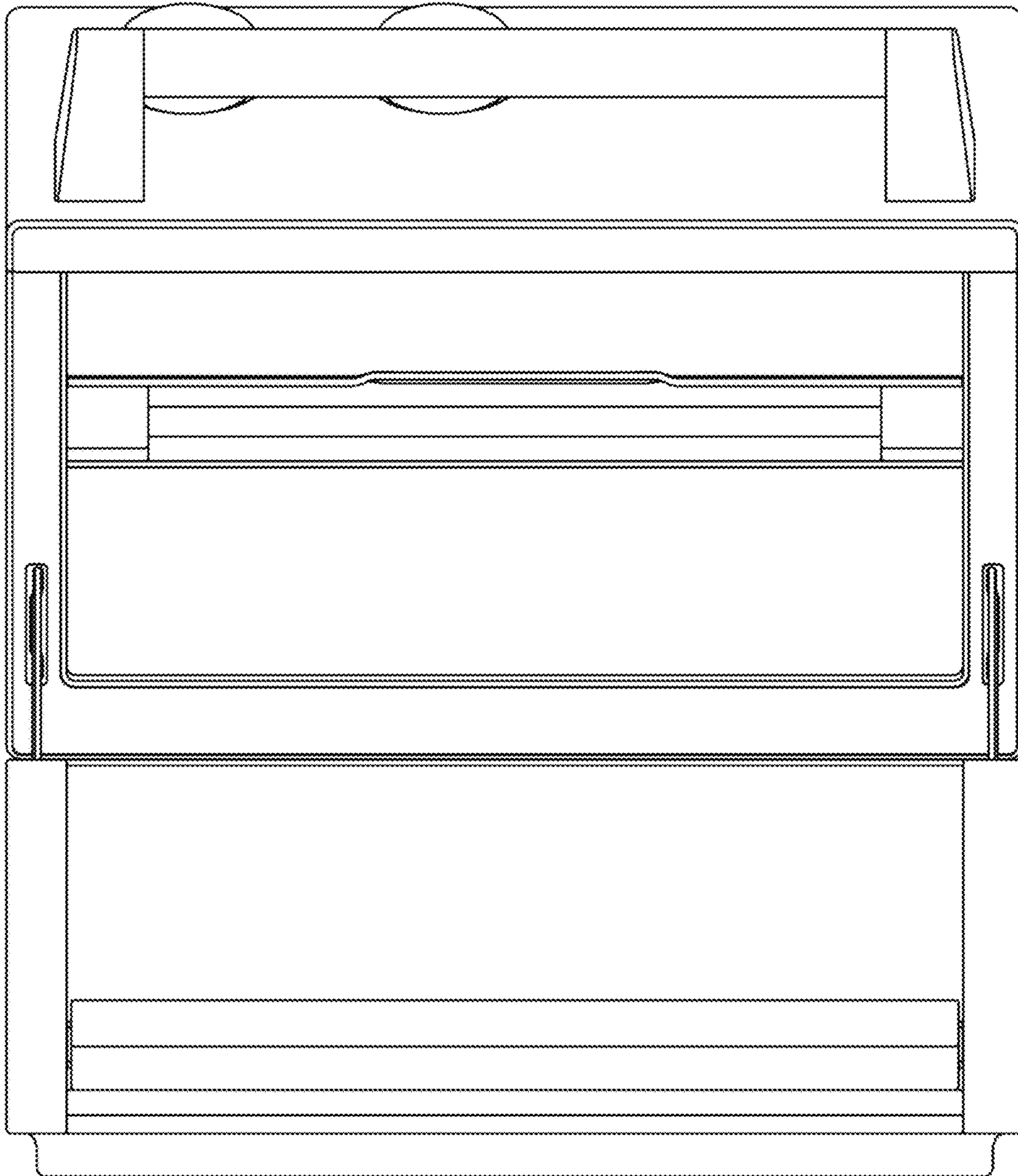
1.14



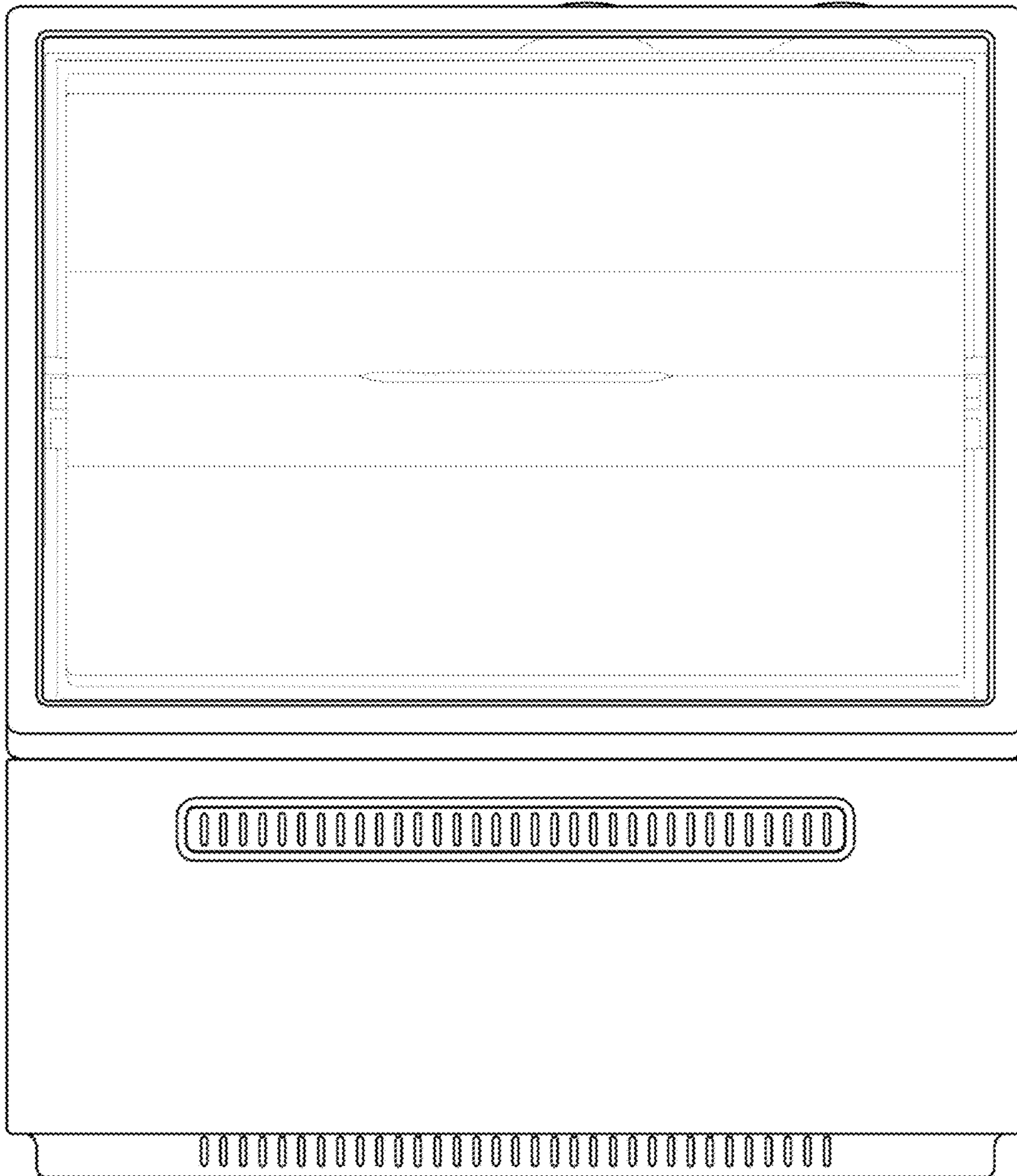
1.15



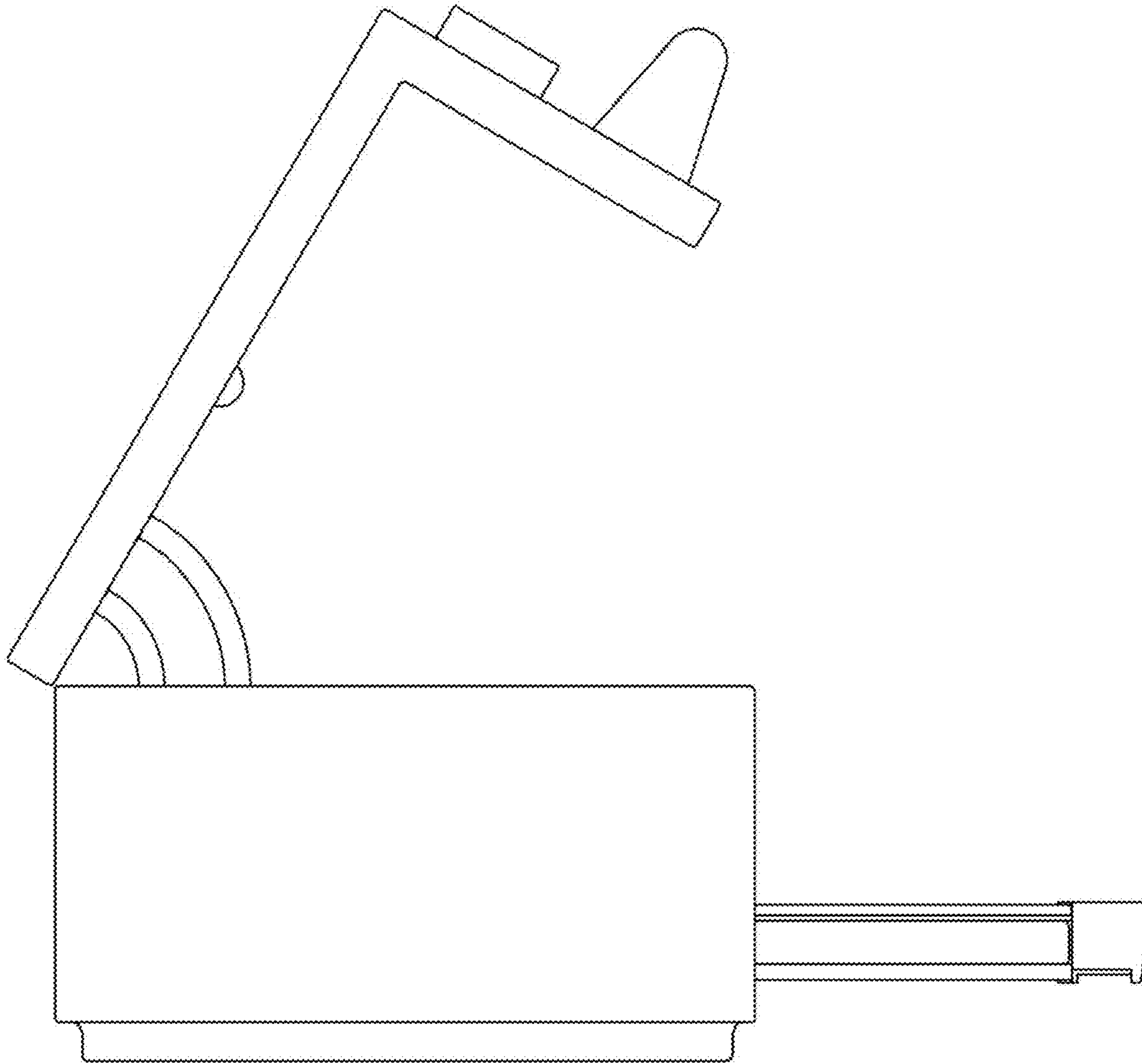
1.16



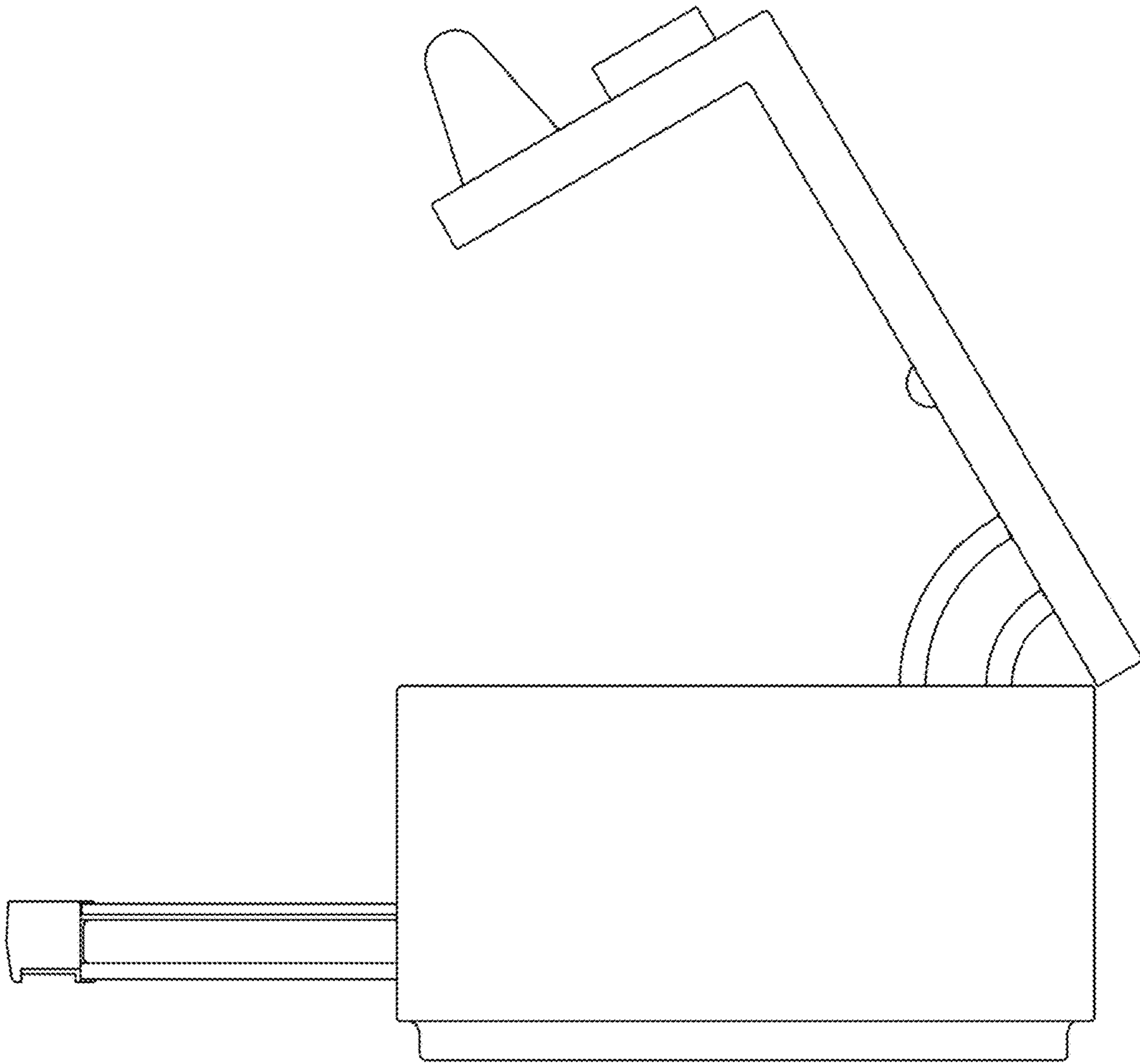
1.17



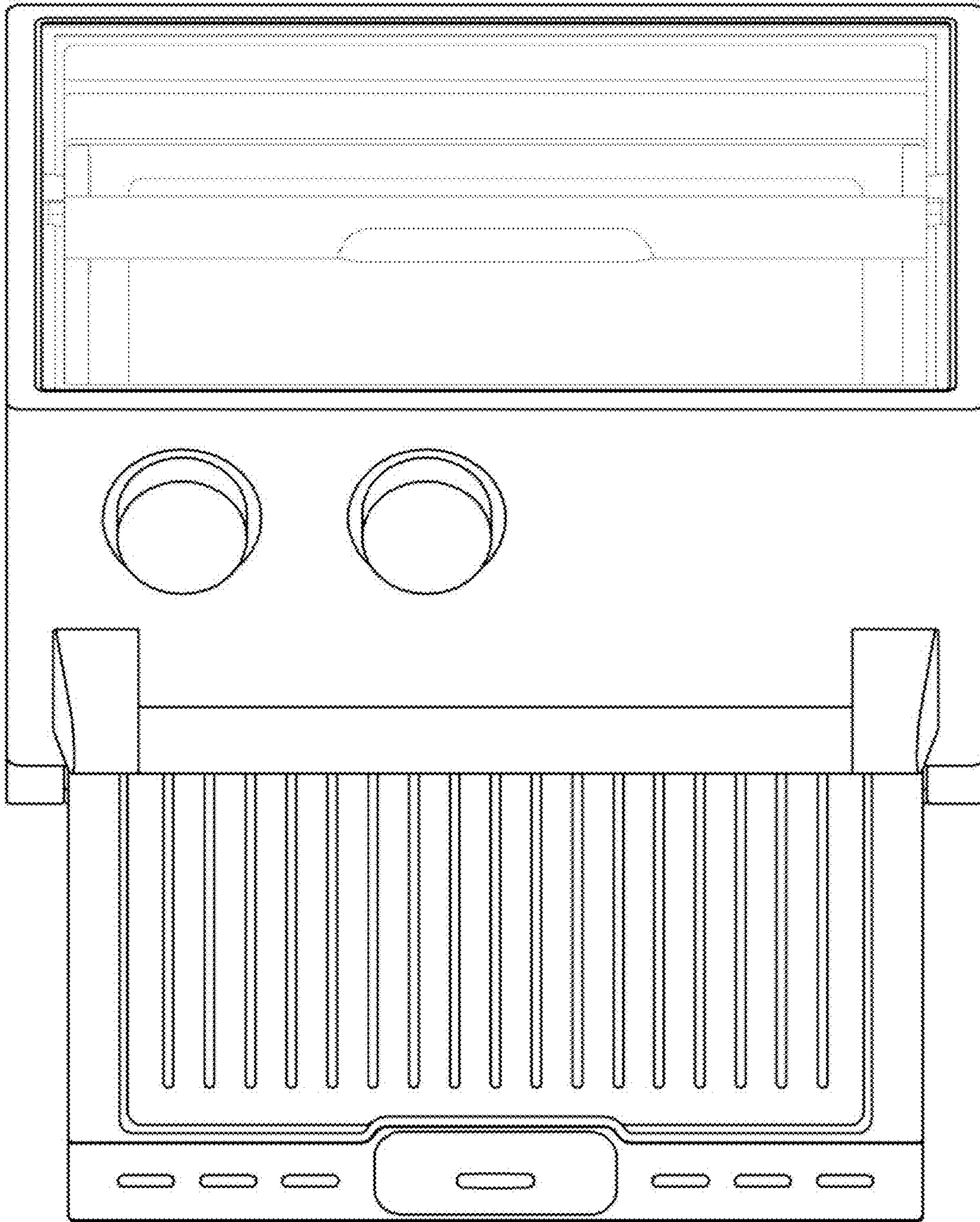
1.18



1.19



1.20



1.21

