



US00D856734S

(12) **United States Design Patent**
Lee et al.

(10) **Patent No.:** **US D856,734 S**

(45) **Date of Patent:** **** Aug. 20, 2019**

(54) **ELECTRIC WATER KETTLE**

(56) **References Cited**

(71) Applicant: **LG ELECTRONICS INC.**, Seoul (KR)

U.S. PATENT DOCUMENTS

(72) Inventors: **Donghwan Lee**, Seoul (KR); **Joogyeon Kim**, Seoul (KR); **Jaecil Bae**, Seoul (KR); **Jaeseok Seong**, Seoul (KR); **Junghwan Lee**, Seoul (KR)

D427,478 S *	7/2000	Littmann	D7/317
D492,879 S *	7/2004	Allemand	D7/317
D630,463 S *	1/2011	Picozza	D7/317
D738,669 S *	9/2015	Brook	D7/317
D749,885 S *	2/2016	Kent	D7/317
D830,759 S *	10/2018	Vu	D7/319
D843,155 S *	3/2019	Kestenbaum	D7/318
D846,345 S *	4/2019	Kestenbaum	D7/399
2014/0151359 A1 *	6/2014	Slot	A47J 27/21041 219/438

(73) Assignee: **LG ELECTRONICS INC.**, Seoul (KR)

(**) Term: **15 Years**

* cited by examiner

(21) Appl. No.: **35/505,286**

Primary Examiner — Michael A. Pratt

(22) Filed: **Jan. 11, 2018**

(74) *Attorney, Agent, or Firm* — Birch, Stewart, Kolasch & Birch, LLP

(80) **Hague Agreement Data**

Int. Filing Date: **Jan. 11, 2018**
Int. Reg. No.: **DM/099818**
Int. Reg. Date: **Jan. 11, 2018**
Int. Reg. Pub. Date: **Jul. 13, 2018**

(57) **CLAIM**

The ornamental design for an electric water kettle, as shown and described.

(30) **Foreign Application Priority Data**

Jul. 12, 2017 (KR) 30-2017-0032101

(51) **LOC (12) Cl.** **07-01**

(52) **U.S. Cl.**
USPC **D7/318**

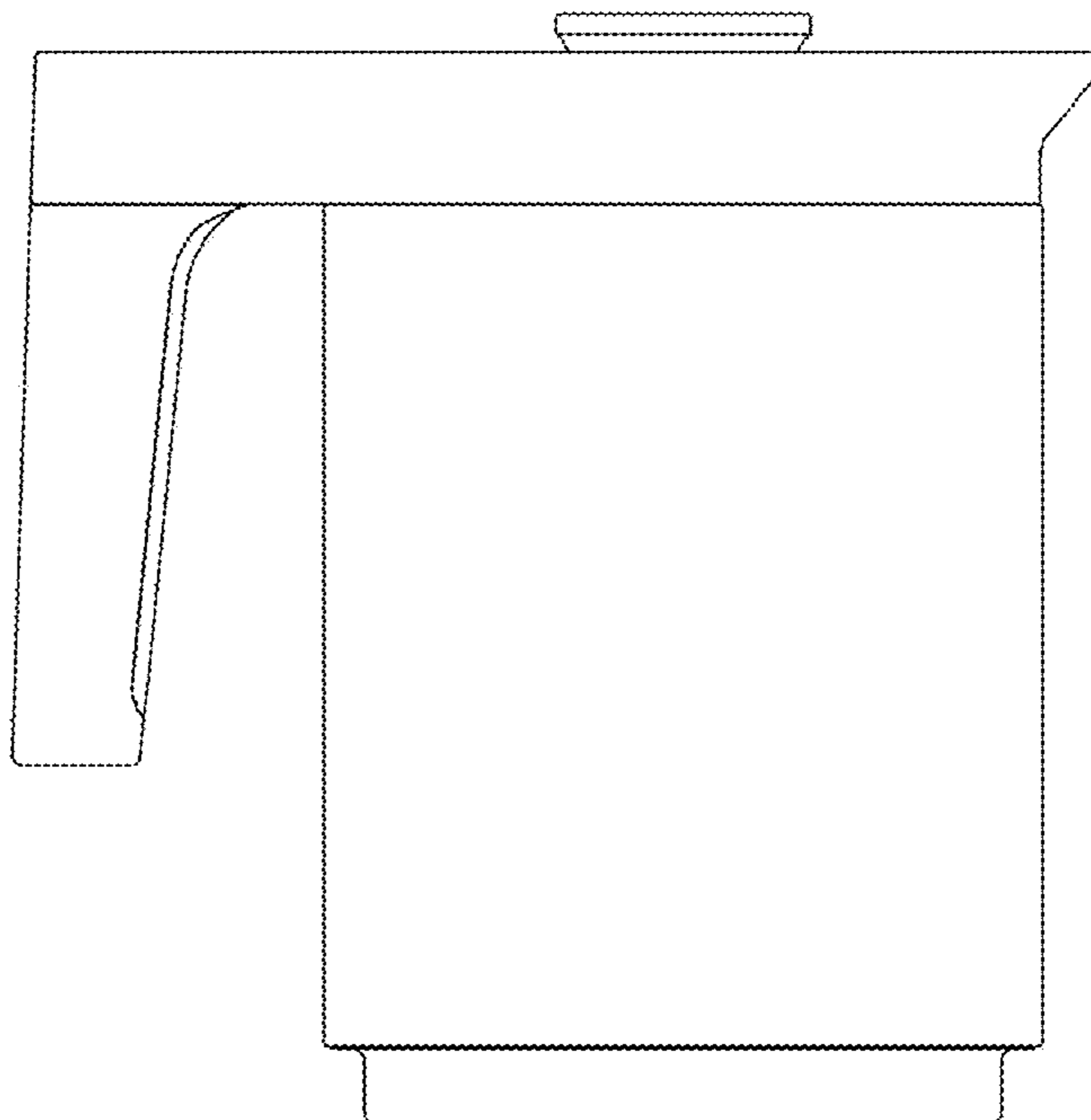
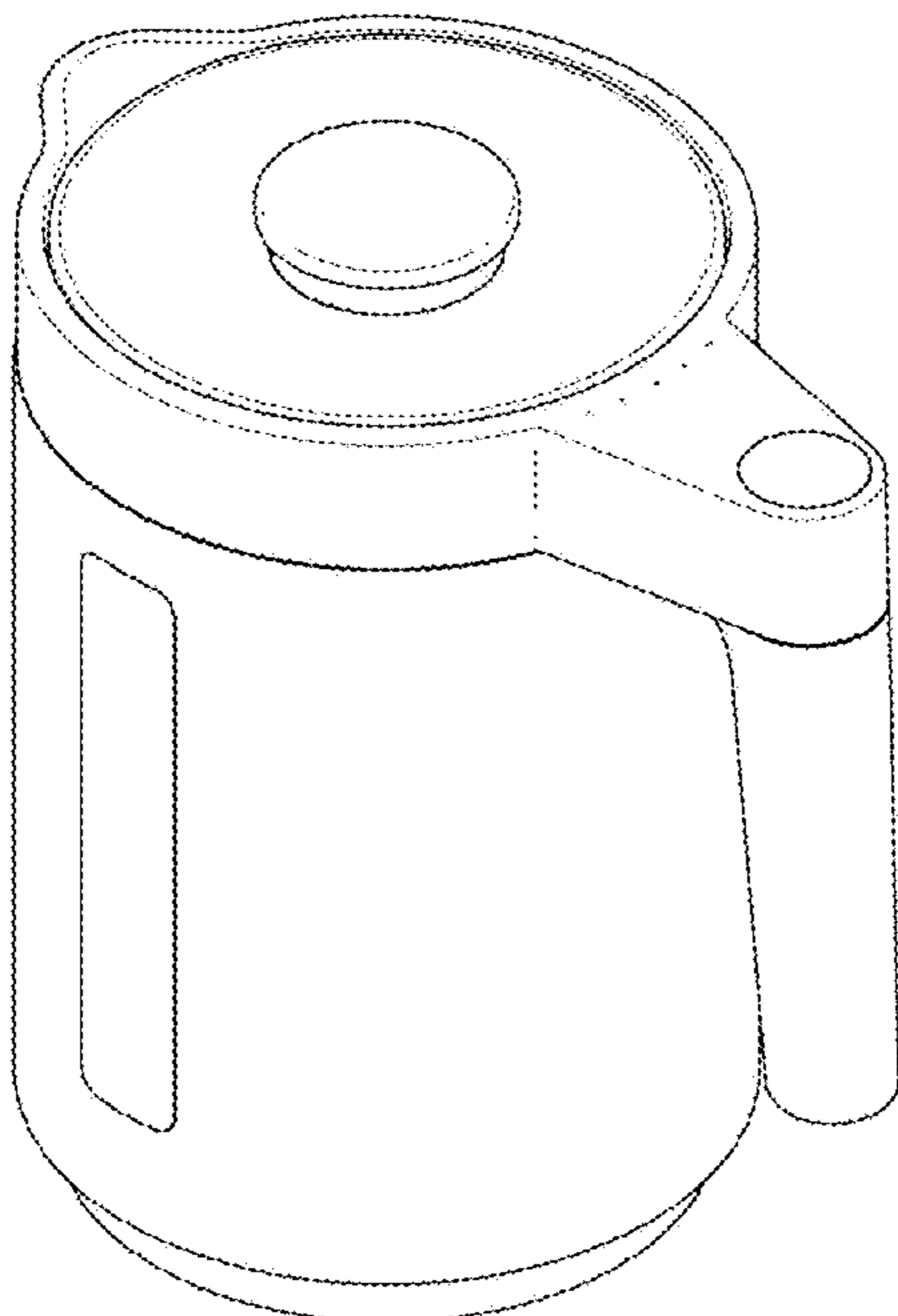
(58) **Field of Classification Search**
USPC D7/317-319
CPC .. A47J 27/2105; A47J 27/21091; A47J 27/21;
A47J 27/21008

See application file for complete search history.

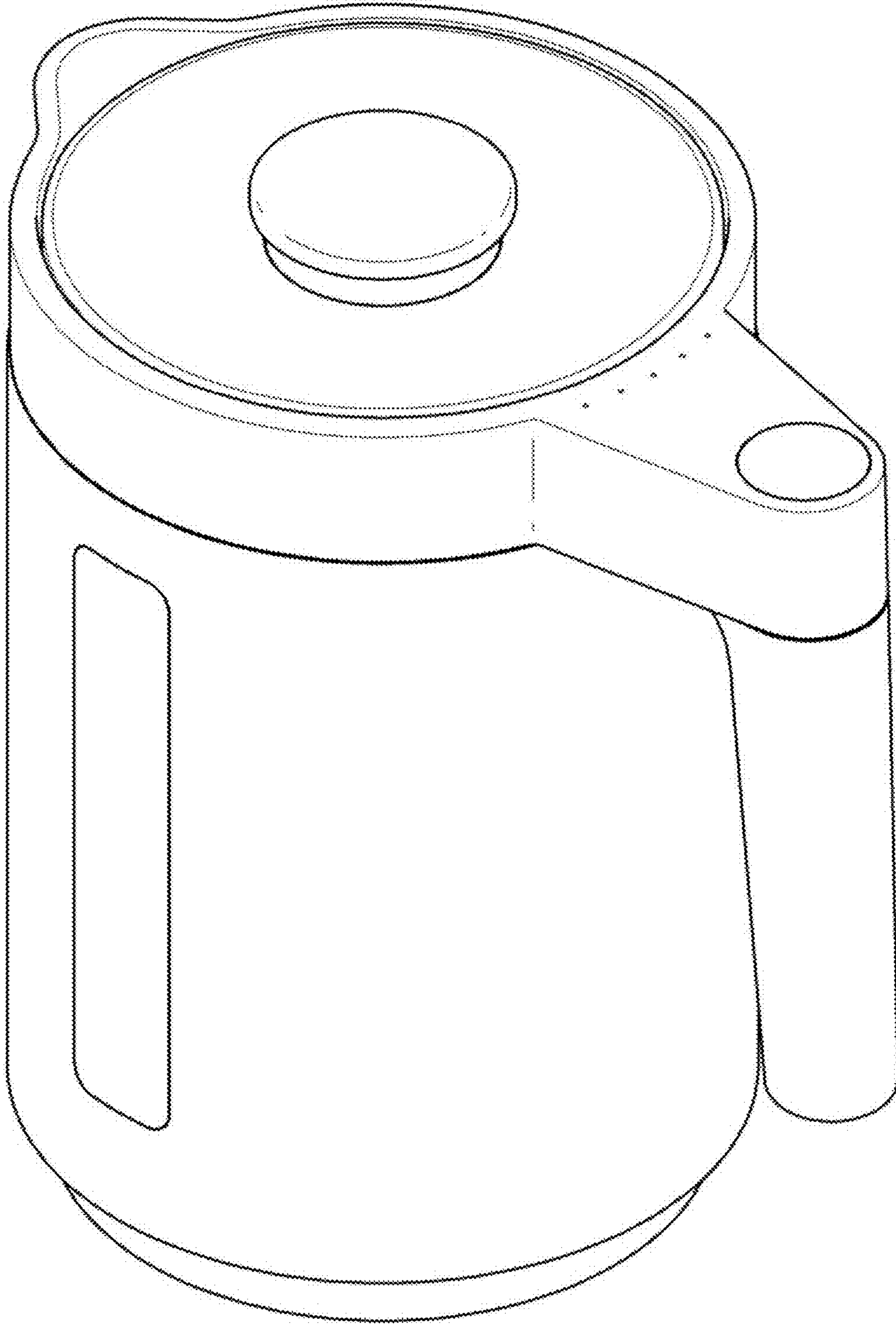
DESCRIPTION

1. Electric water kettle
- 1.1 : Perspective
- 1.2 : Front
- 1.3 : Back
- 1.4 : Left
- 1.5 : Right
- 1.6 : Top
- 1.7 : Bottom

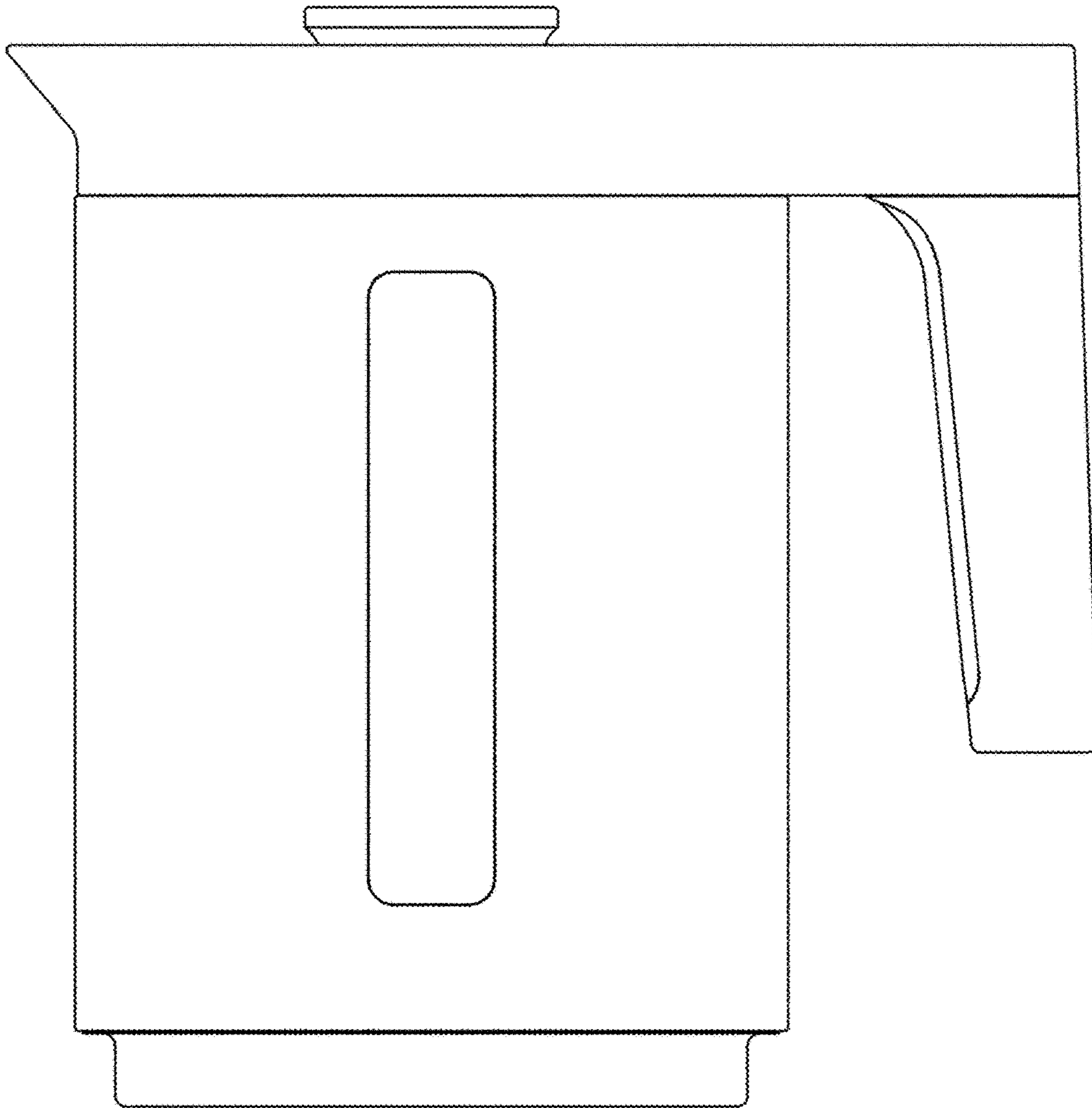
1 Claim, 7 Drawing Sheets



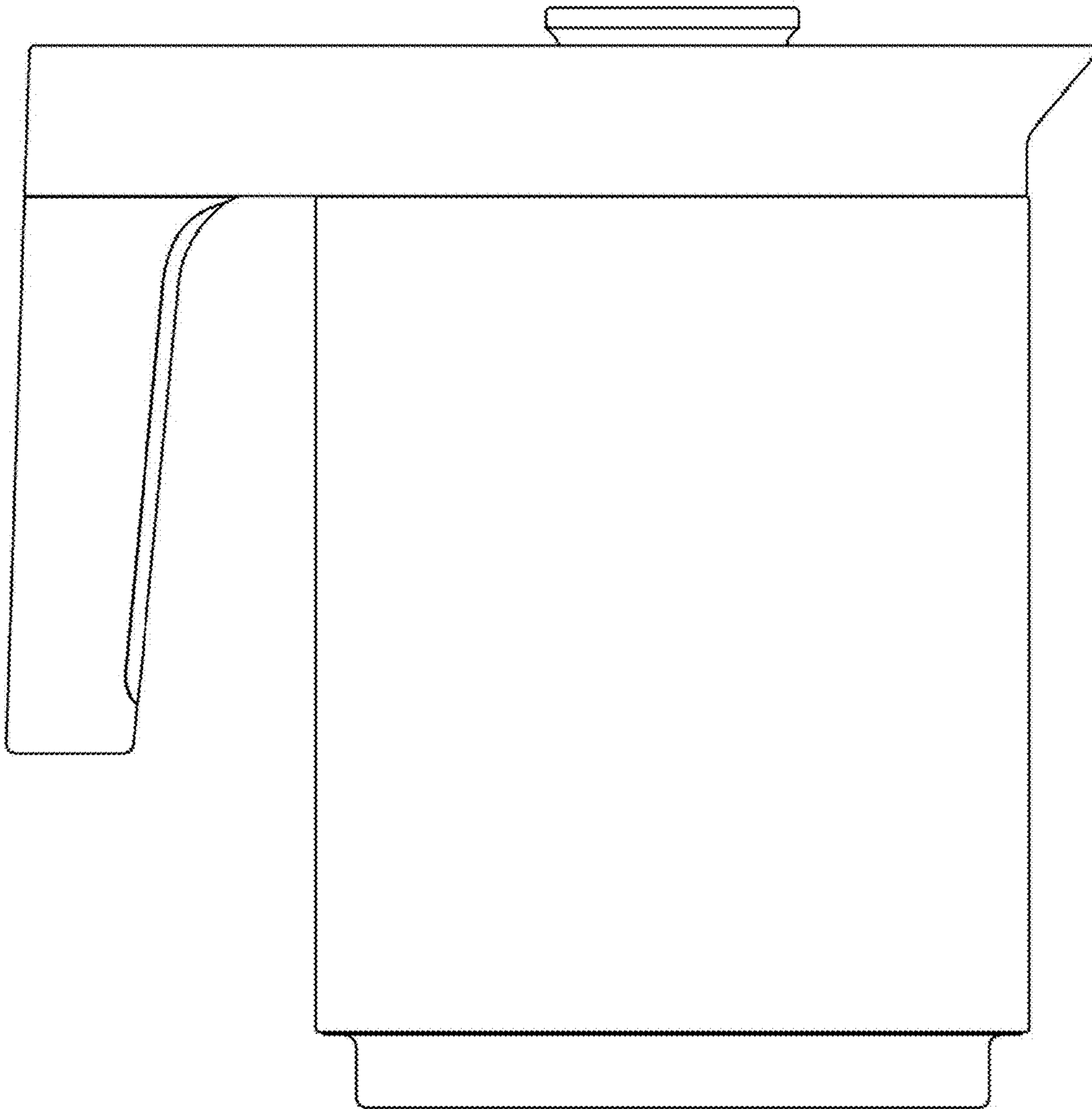
1.1



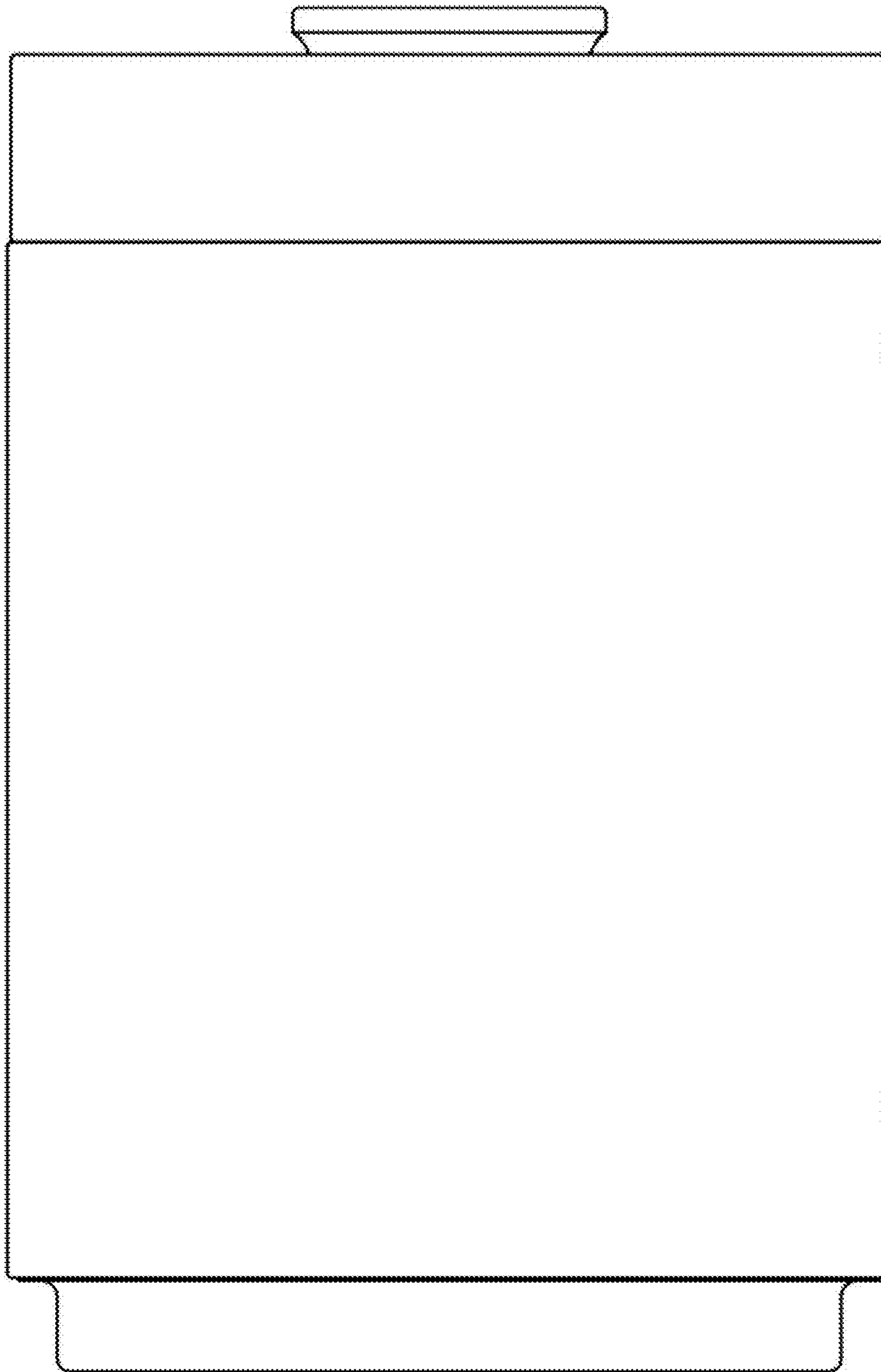
1.2



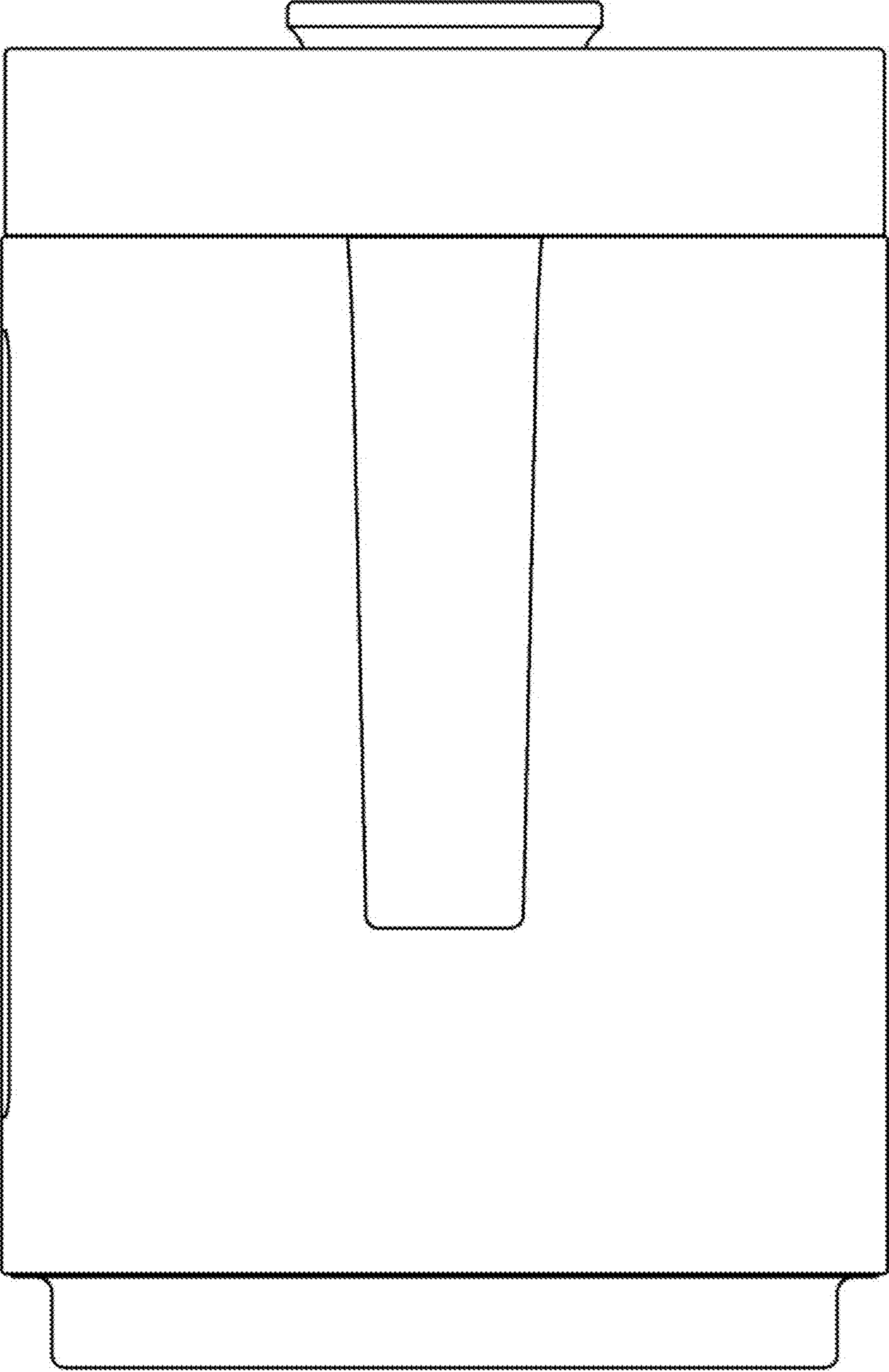
1.3



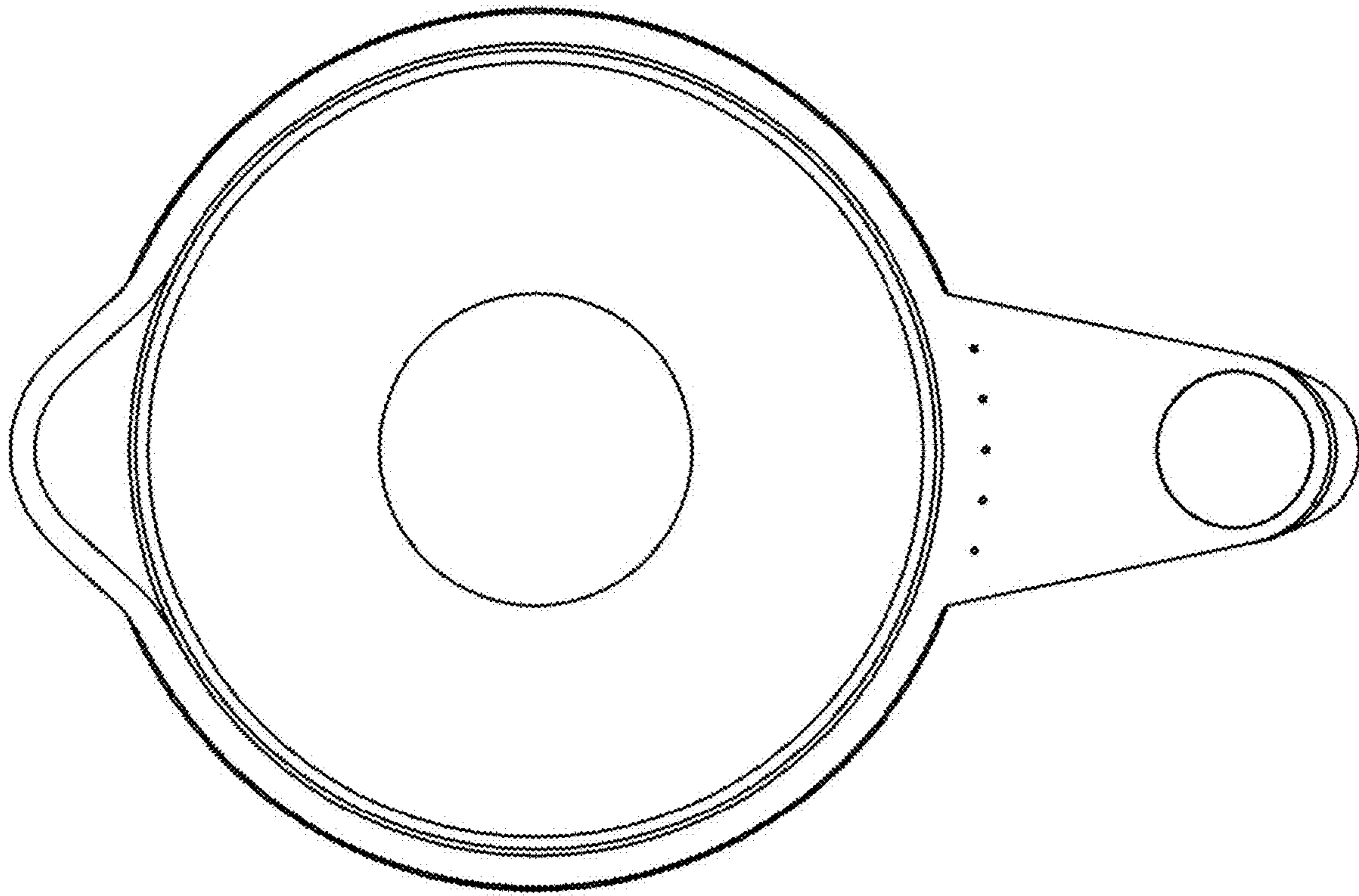
1.4



1.5



1.6



1.7

