



US00D856733S

(12) **United States Design Patent** (10) **Patent No.:** **US D856,733 S**
Lee et al. (45) **Date of Patent:** **** Aug. 20, 2019**

(54) **ELECTRIC WATER KETTLE**
(71) Applicant: **LG ELECTRONICS INC.**, Seoul (KR)
(72) Inventors: **Donghwan Lee**, Seoul (KR); **Joogyeon Kim**, Seoul (KR); **Jaecil Bae**, Seoul (KR); **Jaeseok Seong**, Seoul (KR); **Junghwan Lee**, Seoul (KR)
(73) Assignee: **LG ELECTRONICS INC.**, Seoul (KR)
(**) Term: **15 Years**
(21) Appl. No.: **35/505,282**
(22) Filed: **Jan. 11, 2018**
(80) **Hague Agreement Data**
Int. Filing Date: **Jan. 11, 2018**
Int. Reg. No.: **DM/099280**
Int. Reg. Date: **Jan. 11, 2018**
Int. Reg. Pub. Date: **Jul. 13, 2018**

(30) **Foreign Application Priority Data**
Jul. 12, 2017 (KR) 30-2017-0032098
(51) **LOC (12) Cl.** **07-01**
(52) **U.S. Cl.**
USPC **D7/318**
(58) **Field of Classification Search**
USPC D7/317-319
CPC .. A47J 27/2105; A47J 27/21091; A47J 27/21; A47J 27/21008
See application file for complete search history.

(56) **References Cited**
U.S. PATENT DOCUMENTS

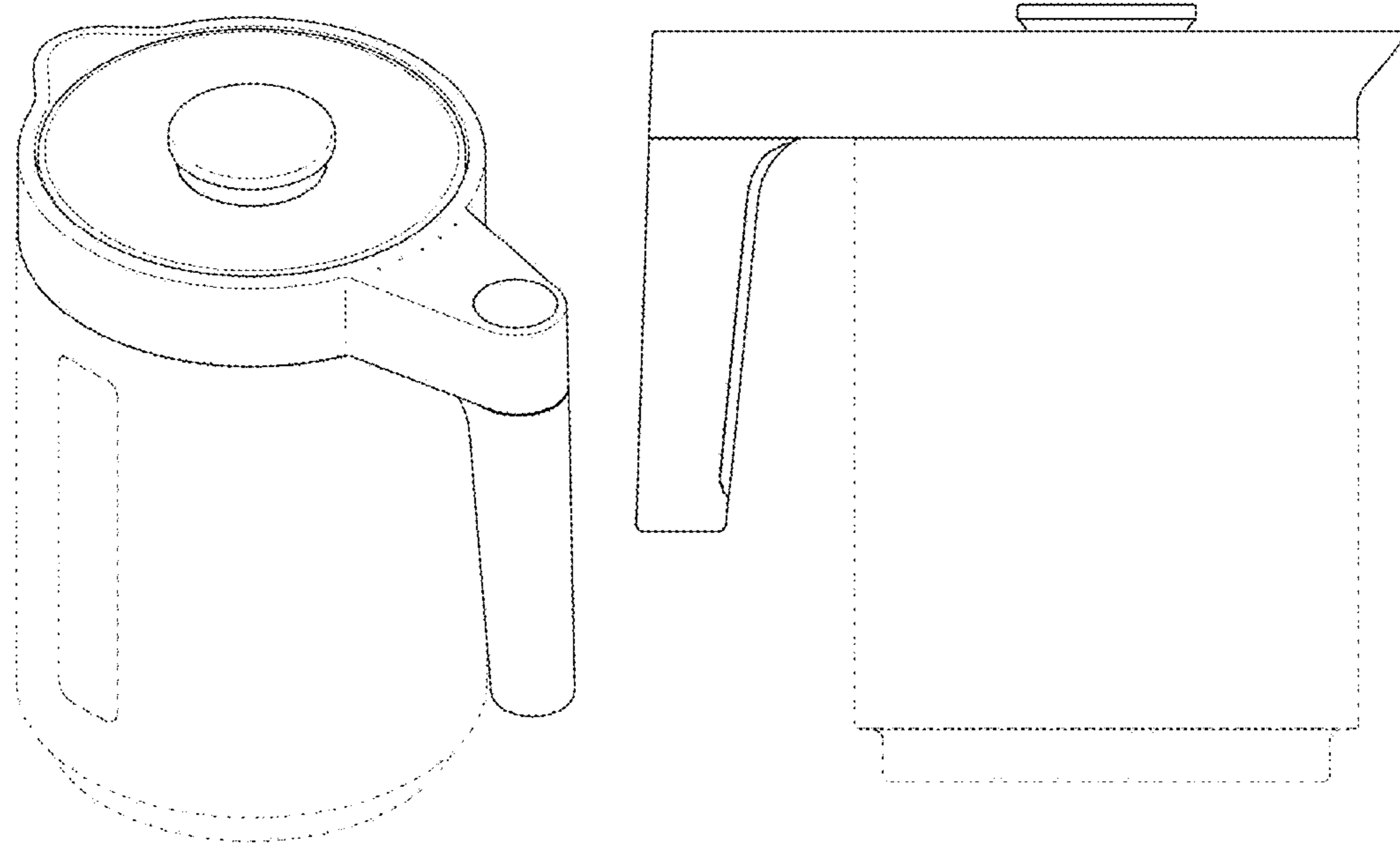
D427,478	S	*	7/2000	Littmann	D7/317
D492,879	S	*	7/2004	Allemand	D7/317
D630,463	S	*	1/2011	Picozza	D7/317
D738,669	S	*	9/2015	Brook	D7/317
D749,885	S	*	2/2016	Kent	D7/317
D830,759	S	*	10/2018	Vu	D7/319
D843,155	S	*	3/2019	Kestenbaum	D7/318
D846,345	S	*	4/2019	Kestenbaum	D7/399
2014/0151359	A1	*	6/2014	Slot	A47J 27/21041 219/438

* cited by examiner
Primary Examiner — Michael A. Pratt
(74) *Attorney, Agent, or Firm* — Birch, Stewart, Kolasch & Birch, LLP

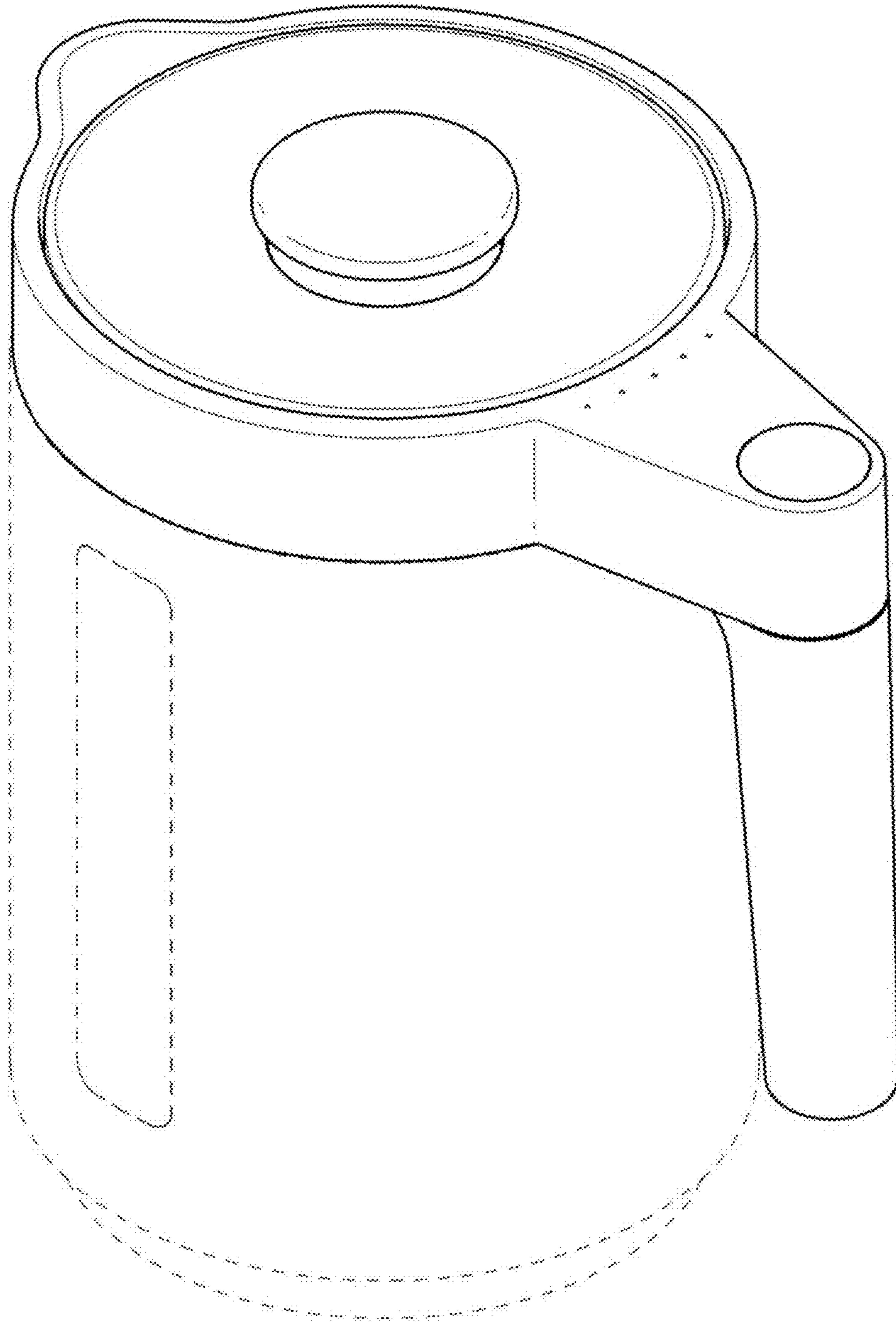
(57) **CLAIM**
The ornamental design for an electric water kettle, as shown and described.

DESCRIPTION
1. Electric water kettle
1.1 : Perspective
1.2 : Front
1.3 : Back
1.4 : Left
1.5 : Right
1.6 : Top
1.7 : Bottom
The broken lines indicate unclaimed portion of the article that form no part of the claimed design.

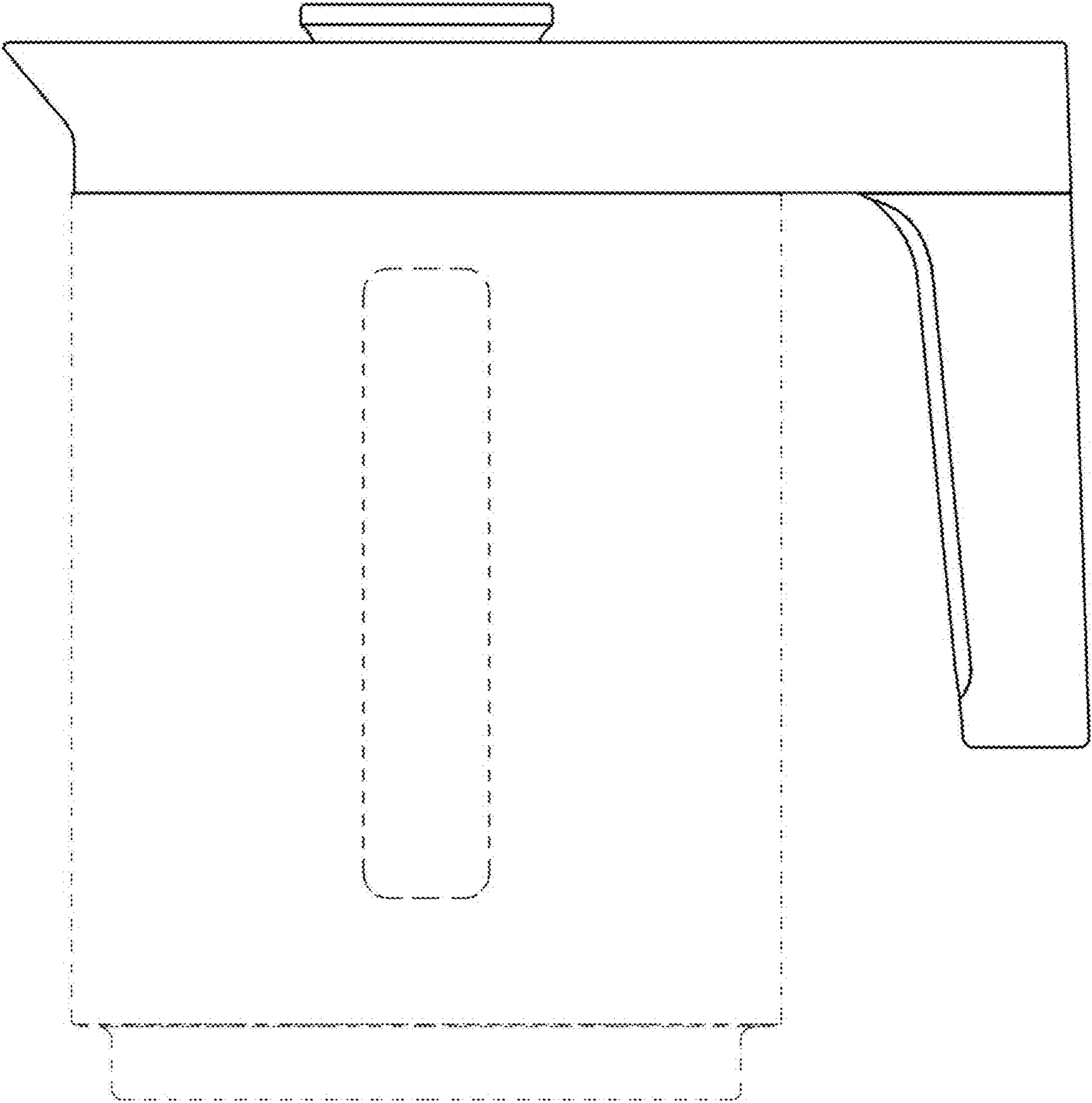
1 Claim, 7 Drawing Sheets



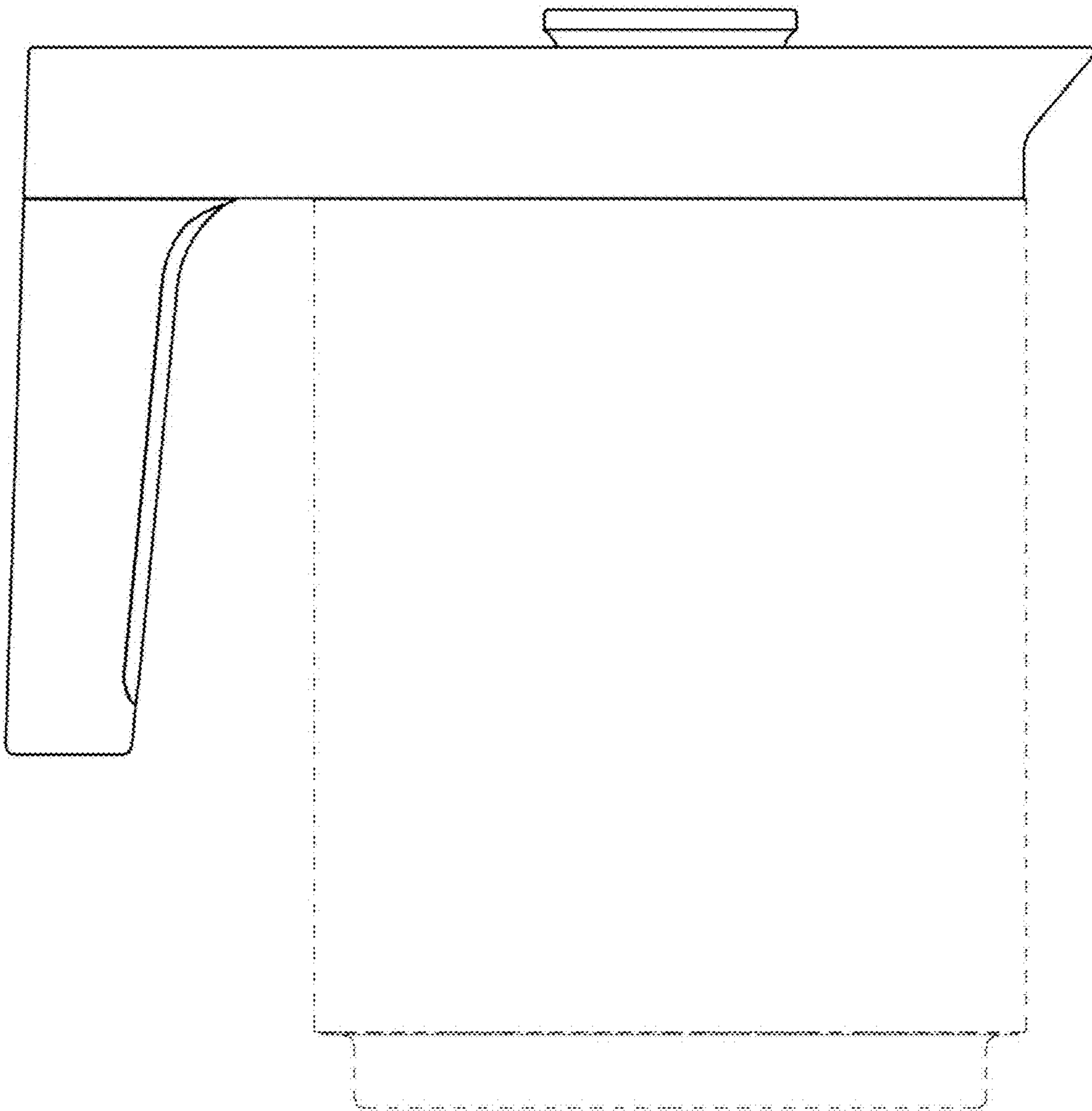
1.1



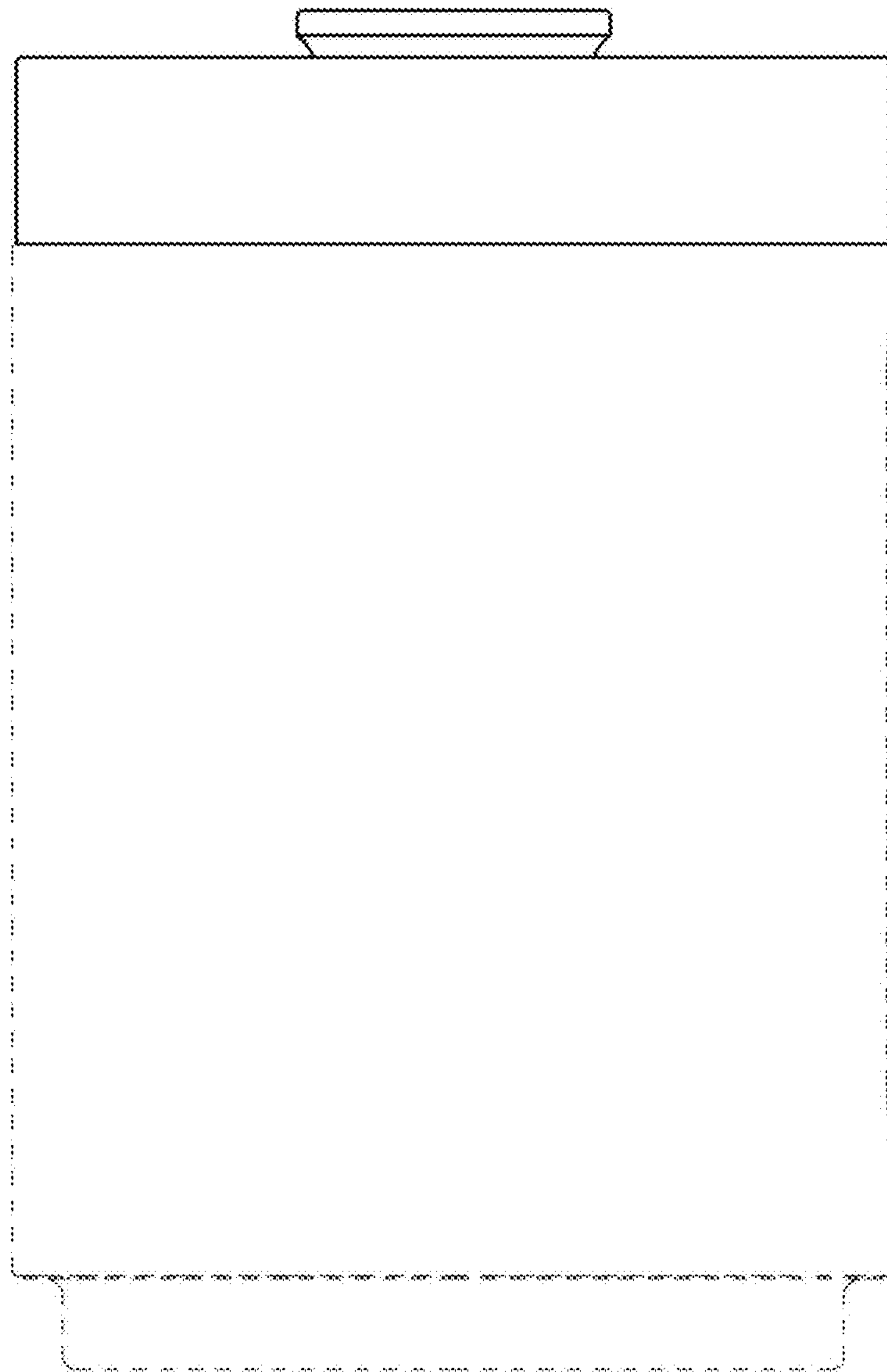
1.2



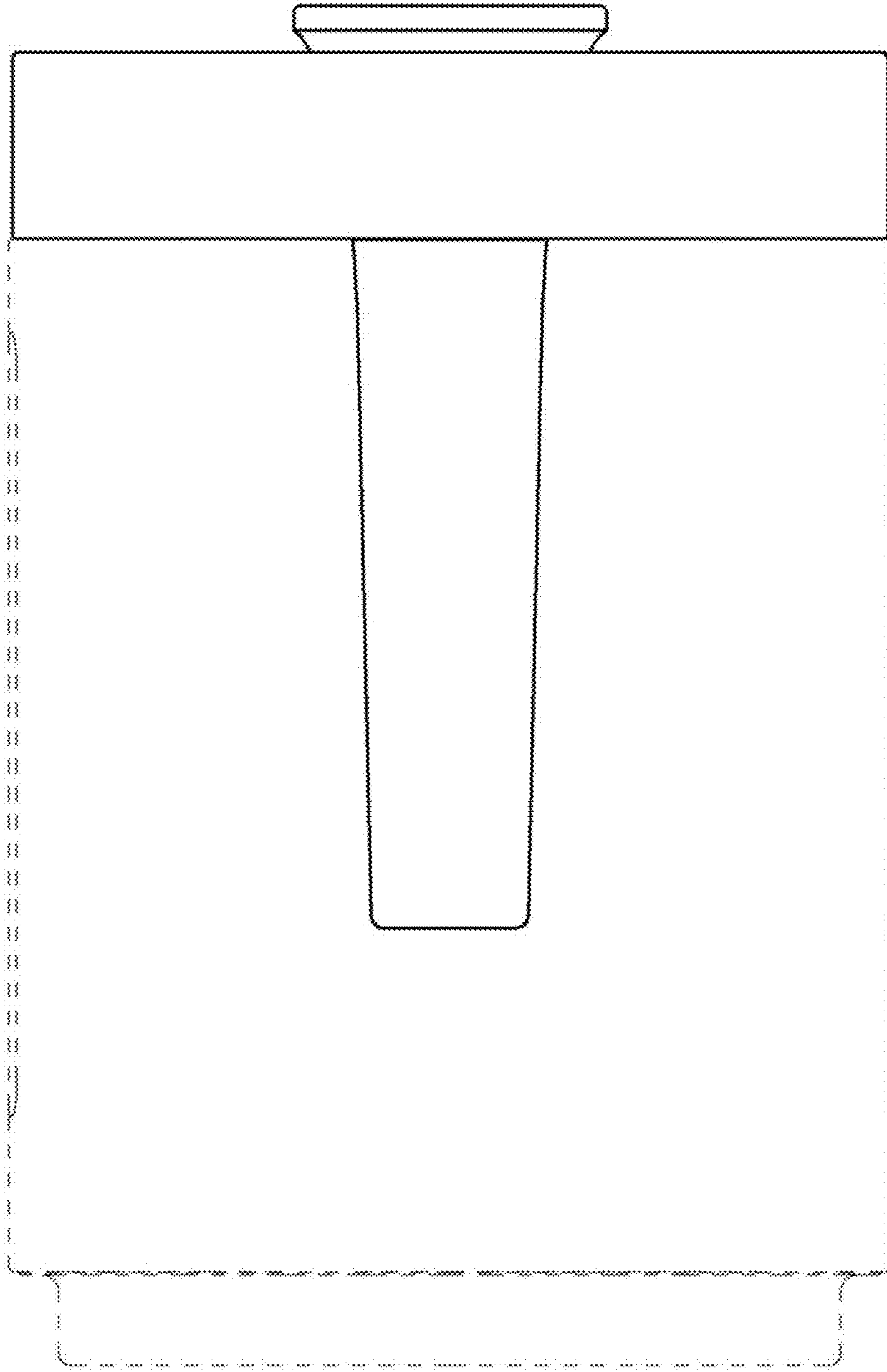
1.3



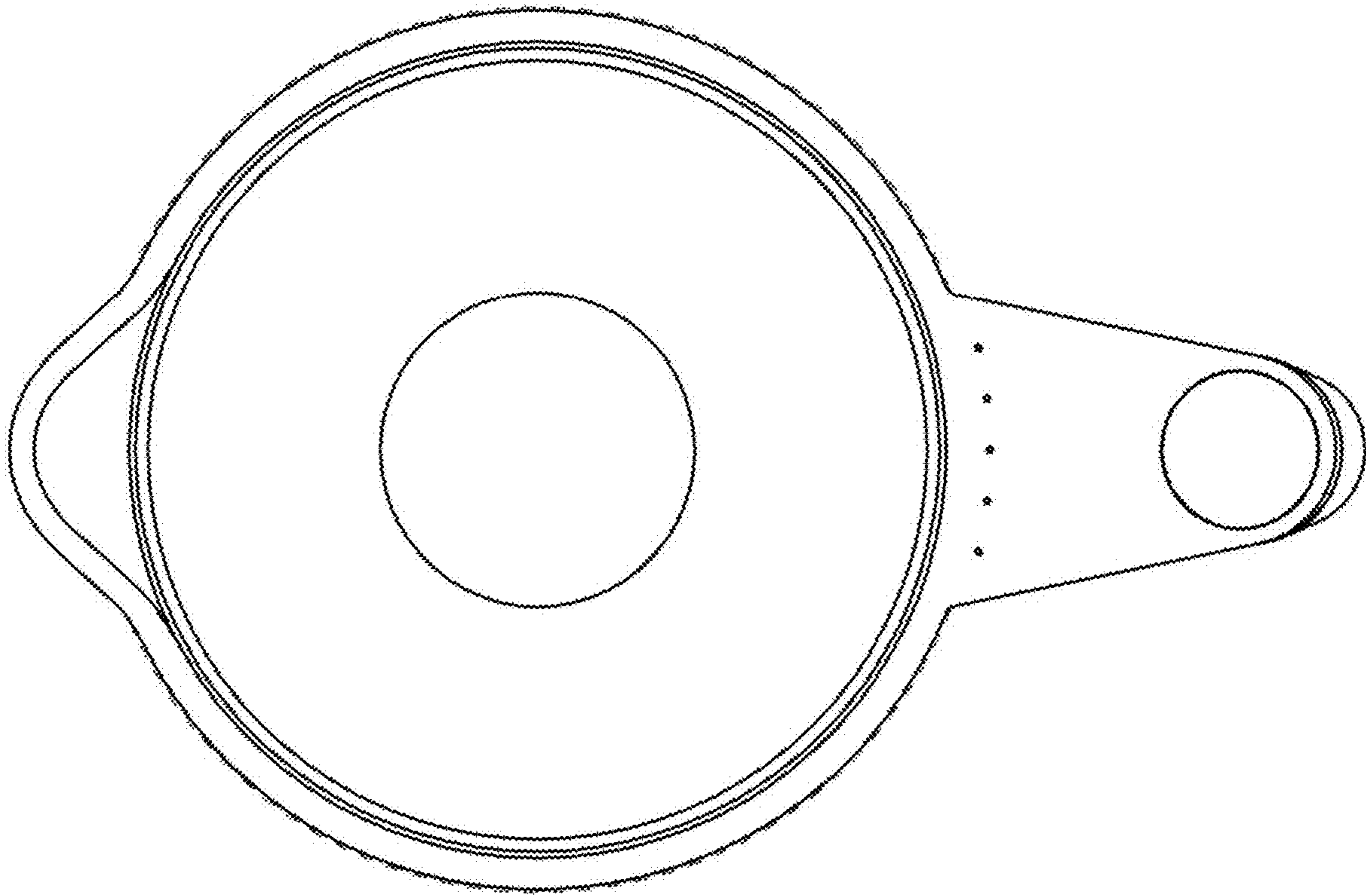
1.4



1.5



1.6



1.7

